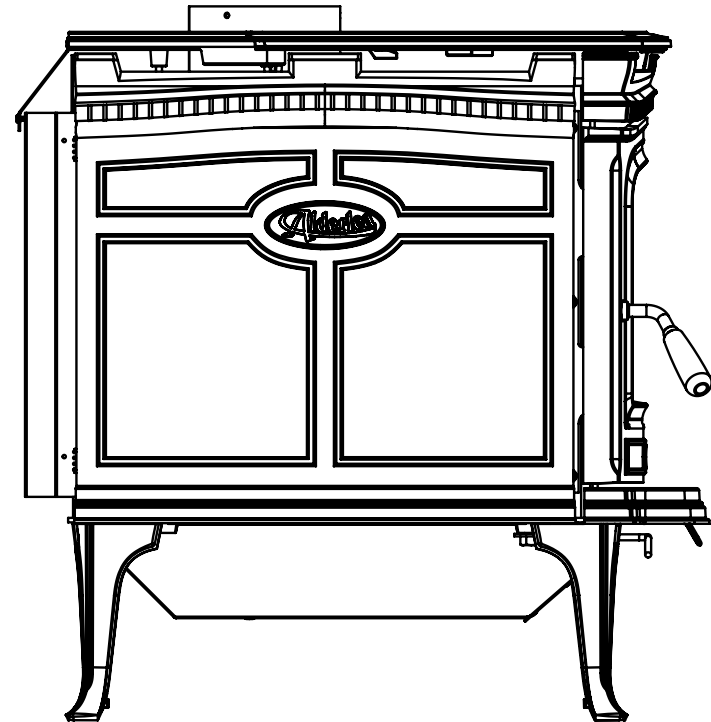
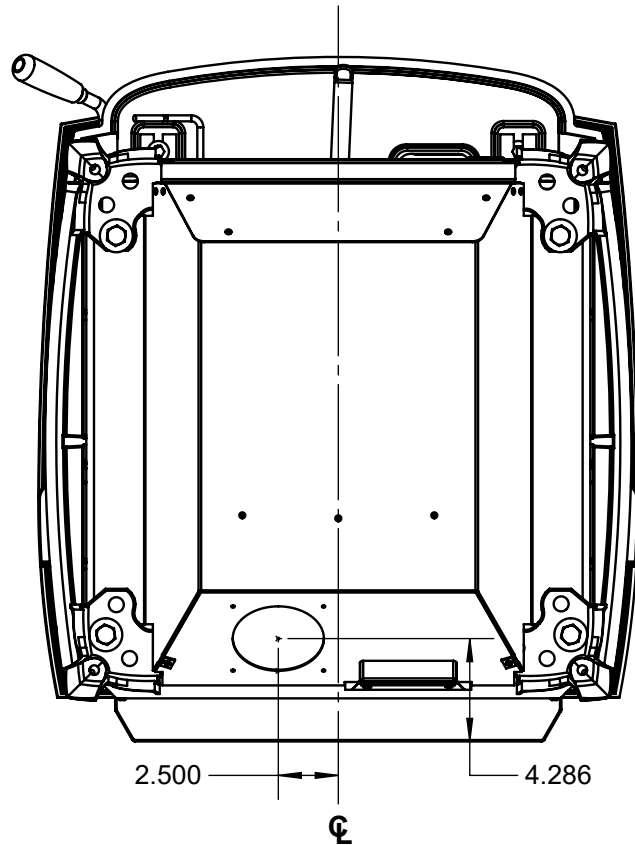


BOM
DRAWING 1 OF 1



REVISIONS					APP'D:	NAME:	DATE:	DR'N:	SCALE:
AR	REV.	DESCRIPTION	DATE	NAME					
						Stove, Alt 5, Wood, LE, Left Door, Met Black	2019-08-27		1:16
NOTES:						ASSEMBLY NO.	11020032-C		

