

Jøtul F 602 ECO

Jøtul F 602 ECO
EN 16510
Manual Version P00

UK - Installation and operating instructions	3
FR - Manuel d'installation et d'utilisation	24
ES - Instrucciones para montaje e instalación	44
IT - Manuale di installazione ed uso	65



The manuals which are enclosed with the product must be kept throughout the product's entire service life. Les manuels fournis avec le produit doivent être conservés pendant toute la durée de vie du produit. Los manuales suministrados con este producto deben guardarse durante todo el ciclo de vida del producto. I manuali inclusi con il prodotto vanno conservati per l'intera durata di vita del prodotto.

EU no. 2015/1186 - 24/04/2015

Datasheet / Fiche Technique / Ficha técnica /
Scheda dati / Datenblatt / Dane techniczne



**Requirements / Exigences / Requisitos / Requisiti /
Vereisten / Forderungen / Wymagania**

Supplier /
Fabricante /
Fornitore /
Vereisten /
Lieferant/
Producent:

Jøtul AS

Product models
Produits concernés
Modelos
Modelli
Product modellen
Varianten der Feuerstelle
Modele produktu

JØTUL F 602 ECO

Energy efficiency class / Classe énergétique / Clase de
eficiencia energética / Classe energetica / Energie
efficiency klasse / Energieeffizienz-Klasse / Klasa
efektywności energetycznej

A+

Direct heat output / Puissance réelle de sortie / Potencia
calorífica emitida / Emissione di calore diretta / Directe
warmte afgifte / Nennwärmeleistung / Bezpośrednia moc
grzewcza

4,9 kW

Energy efficiency index / Index de rendement énergétique/
Índice de eficiencia energética / Indice di efficienza
energetica / Energie efficiency index / Energieeffizienz-
Index / Indeks efektywności energetycznej

107

Efficiency at nominal heat output / Rendement à
puissance nominale / Eficiencia al rendimiento nominal /
Efficienza alla potenza nominale / Efficiency bij nominale
warmte afgifte / Wirkungsgrad bei Nennheizleistung /
Sprawność dla mocy znamionowej

81 %

- Any specific precautions that shall be taken when the local space heater is assembled installed or maintained.
- Toutes les précautions spécifiques doivent être prises lors de l'assemblage, l'installation ou l'entretien de l'appareil.
- Cualquier precaución específica que deba tenerse en cuenta durante el montaje, instalación o mantenimiento del equipo de calefacción
- Precauzioni specifiche da prendere quando il riscaldatore viene assemblato, installato o mantenuto in uno spazio.
- Eventuele specifieke voorzorgsmaatregelen die worden genomen wanneer de plaatselijke ruimteverwarming wordt gemonteerd, geïnstalleerd of onderhouden.
- Besondere Maßnahmen bei Montierung, Installation und Wartung.
- Wszelkie szczególne środki ostrożności, które należy podjąć, gdy lokalny ogrzewacz pomieszczeń jest zamontowany lub konserwowany.

- Fire safety precautions such as safety distances when installing, national standards, local codes and regulations. See the Instructions manual.
- Les précautions d'incendie telles que les distances de sécurité lors de l'installation, le suivi des normes, les codes locaux et les réglementations nationales. Veuillez lire le manuel d'installation.
- Precauciones frente a incendios como distancia de seguridad en la instalación, estándares nacionales, códigos locales y reglamentos. Lea el manual de instalación.
- Precauzioni per la sicurezza antincendio come le distanze di sicurezza durante l'installazione, le normative nazionali e locali. Leggere il manual.
- Brandveiligheidsmaatregelen, zoals veiligheidsafstanden bij installatie, nationale normen, lokale codes en voorschriften. Lees de installatiehandleiding.
- Für brenntechnische Verhältnisse, wie z.B. Aufstellbedingungen und nationale Forderungen. Siehe die Montage- und Bedienungsanleitung.
- Środki bezpieczeństwa przeciwpożarowego, takie jak odległości od materiałów palnych jakie należy zachować podczas instalacji, normy krajowe, lokalne przepisy i regulacje. Patrz instrukcja obsługi.

UK - Installation and operating instructions

Table of contents

2.0 Technical Data.....	3
3.0 Safety.....	7
4.0 Installation.....	12
5.0 Daily use.....	17
6.0 Maintenance.....	18
7.0 Service.....	19
8.0 Operational problems - troubleshooting.....	22
9.0 Optional equipment.....	22
10.0 Recycling.....	22
11.0 Guarantee terms.....	22

2.0 Technical Data

Installation

- All local regulations, including those referring to national and European Standards as well as the information provided in this assembly and instruction manual need to be complied with when installing the appliance.
- When you install any kind of fireplace or stove, you must inform the local building and housing authorities. In addition you are obliged to have the installation inspected and approved by a local chimney sweep prior to the commissioning
- To ensure best possible functionality and safety for your installation, we advise you to call a professional fitter. Your Jøtul Dealer will be able to recommend a qualified fitter in your area. For information on Jøtul Dealers, please go to www.jotul.com

Safety

Any changed made to the product by the dealer, fitter or user could result in the product and safety functions not functioning as intended. The same applies to the fitting of accessories or extra equipment not supplied by Jøtul AS. This could also be the case if parts that are necessary for the operation and safety of the stove are dismantled or removed.



This stove is produced in accordance with type approval for the product, which also covers the product's Assembly and Instruction Manual. Read and follow the user operating instructions carefully.

The Declaration of Performance (DoP) is available on www.jotul.com

Technical data

Test in compliance with EN 16510		
	Classification of appliance	Type BE
P_{nom}	Nominal heat output	4,9 kW
η_{nom}	Energy efficiency at nominal heat output	81 %
η_s	Seasonal space heating energy efficiency at nominal heat output	71 %
EEI	Energy efficiency index	107
	Energy efficiency class	A+
	Fuel	Wood logs *
	Fuel length, maximum	400 mm
	Fuel consumption	1,42 kg/h
	Amount of fuel	1,19 kg
	Amount of fuel, maximum	2 kg
CO_{nom}	CO emission at 13% O ₂ at nominal heat output	0,06 %
		1133 mg/Nm ³
NO_{xnom}	NO _x emission at 13% O ₂ at nominal heat output	88 mg/Nm ³
OGC_{nom}	OGC emission at 13% O ₂ at nominal heat output	46 mg/Nm ³
PM_{nom}	Dust emission at 13% O ₂ at nominal heat output	23 mg/Nm ³
p_{nom}	Flue draught at nominal heat output	12 Pa
	Recommended sub-pressure in the connecting piece	18-20 Pa
	Required combustion air supply	10,6 m ³ /h
T_{snom}	Flue gas outlet temperature at nominal heat output	311 °C
T class	Chimney designation	T400 G
$\phi_{fg, nom}$	Flue gas mass flow at nominal heat output	4,6 g/sec
V_h	Standing air loss	NPD m ³ /h
	Leakage before testing at gauge pressure of 5 Pa (1013 mbar, 27 °C)	3,17 Nm ³ /h
	Leakage before testing at gauge pressure of 10 Pa (1013 mbar, 27 °C)	5,74 Nm ³ /h
	Leakage before testing at gauge pressure of 15 Pa (1013 mbar, 27 °C)	7,53 Nm ³ /h
CON/INT	Continuous operation (CON)/Intermittend operation (INT)	INT**
	Reaction to fire classification	A1
E, f	Power supply voltage, frequency	- V

* Use only recommended fuels - designation I.

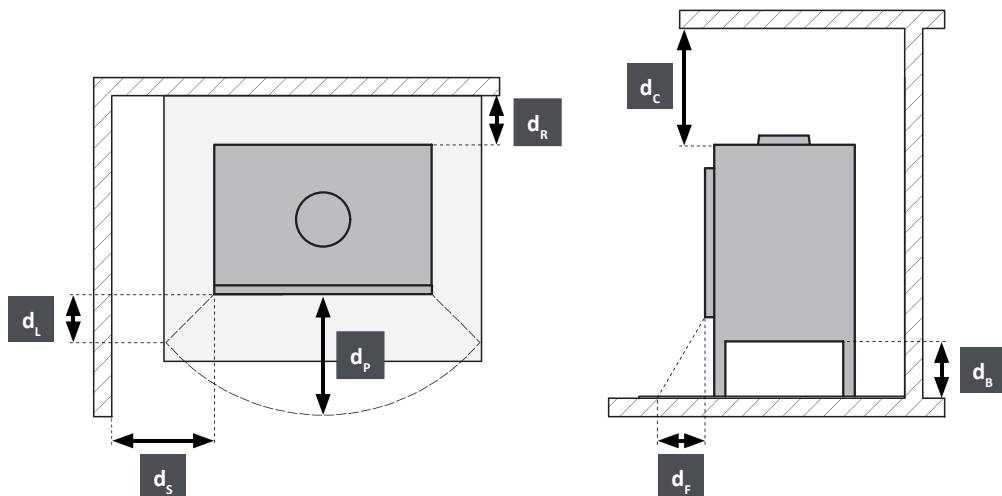
** Intermittent operation in this context means normal use of a wood-burning stove. In other words, you should let the fire die down until only the embers are left before refueling.

Technical Data

Basic technical data		
Materials		Stainless steel Cast iron Ceramic stone/vermiculite Glass
Surface treatment		Senotherm
Smoke outlet		Top/Back
d_{out}	Diameter of the flue gas outlet	125 mm
	Fresh air connection piece external diameter	80 mm
L	Overall dimensions (length)	540 mm
H	Overall dimensions (height)	637 mm
W	Overall dimensions (width)	320 mm
m	Mass (weight)	86 kg
m_{chim}	Maximum load of a chimney the stove may carry	120 kg

Minimum distances to combustible materials		
d_R	Rear (uninsulated / insulated start section)	300/250 mm
d_S	Sides	500*** mm
d_C	Ceiling	750 mm
d_P	Front	550 mm
d_F	Front to the bottom front radiation area	0 mm
d_L	Front to the side front radiation area	0 mm
d_B	Minimum distance below the bottom not regarding feet	252 mm
d_{non}	Minimum distances to non-combustible walls.	50 mm
	Corner (uninsulated / insulated start section)	350/300*** mm
	The code for insulated flue pipe	T400-N1-D-Vm-L50050-G100

*** Use of accessories: see installation drawings



Approval Label

All Jøtul wood-burning stoves are fitted with an approval label that specifies the approval standards and the distance to combustible materials.

The approval label is located at the rear of the stove. The approval label provides a pin and lot number. These numbers should be quoted when contacting your dealer or Jøtul AS and is required in the event of a complaint.

Approval Label

JØTUL F 602 ECO CE 19

Harmonised standard: EN 16510-2-1:2022

Approved by: DTI • NB no. 1235

Classification of appliance: Type BE

Recommended fuels (designation): Wood logs (I)

Manufacturer: Jøtul AS, POB 1411, N-1602 Fredrikstad, Norway

Declaration of Performance: CPR-F602ECO-14072025

Intended use: Space heating in residential buildings

P_{nom}	4,9	kW	Read instruction manual for further information
η_{nom}	81	%	
CO_{nom} (13% O ₂)	1133	mg/m ³	
NO_{xnom} (13% O ₂)	88	mg/m ³	
OGC_{nom} (13% O ₂)	46	mg/m ³	
PM_{nom} (13% O ₂)	23	mg/m ³	
p_{nom}	12	Pa	
d_R (rear)	300	mm	
d_S (side)	500	mm	
d_C (ceiling)	750	mm	

For distance to combustibles when using insulated flue pipe and/or additional accessories, refer to the instruction manual.

10067861-P00

Lot no: 000000 2025 Pin:000

TYPE PLATE EXPLANATION

- 1** Type and/or the model number or designation to enable the appliance to be identified
- 2** Applicable standards
- 3** Name of test centre/certification number
- 4** Classification of appliance
- 5** Recommended fuels
- 6** Manufacturer's name and address
- 7** DOP document number
- 8** Table of values:

- P_{nom} - nominal heat output
 - η_{nom} - energy efficiency at nominal heat output
 - CO_{nom} - CO emission at 13% O₂ at nominal heat output
 - NO_{xnom} - NO_x emission at 13% O₂ at nominal heat output
 - OGC_{nom} - OGC emission at 13% O₂ at nominal heat output
 - PM_{nom} - dust emission at 13% O₂ at nominal heat output
 - p_{nom} - flue draught at nominal heat output
- Minimum distances to combustible materials:
- d_R - back
 - d_S - sides
 - d_C - ceiling
 - d_P - front
 - d_F - front to the bottom front radiation area
 - d_L - front to the side front radiation area
 - d_B - below the bottom (not regarding feet)

- 9** CE mark of conformity- The digits indicate the year of issue of the certificate
- 10** Product specifications and instructions
- 11** Waste electrical and electronic equipment
- 12** Type plate number
- 13** Product registration number

ENGLISH

3.0 Safety

NB! To guarantee optimal performance and safety, Jøtul recommends that its stoves are fitted by a qualified installer (see www.jotul.com for a complete list of dealers).

Any modifications to the product may result in the product and safety features not functioning as intended. The same applies to the installation of accessories or optional extras not supplied by Jøtul. This may also be the case if parts that are essential to the functioning and safety of the fireplace have been disassembled or removed.

In all these cases, the manufacturer is not responsible or liable for the product and the right to make a complaint becomes null and void.

The Clean Air Act

“The Clean Air Act 1993 and Smoke Control Areas”

Under the Clean Air Act local authorities may declare the whole or part of the district of the authority to be a smoke control area. It is an offence to emit smoke from a chimney of a building, from a furnace or from any fixed boiler if located in a designated smoke control area. It is also an offence to acquire an “unauthorised fuel” for use within a smoke control area unless it is used in an “exempt” appliance (“exempted” from the controls which generally apply in the smoke control area).

In England appliances are exempted by publication on a list by the Secretary of State in accordance with changes made to sections 20 and 21 of the Clean Air Act 1993 by section 15 of the Deregulation Act 2015. Similarly in Scotland appliances are exempted by publication on a list by Scottish Ministers under section 50 of the Regulatory Reform (Scotland) Act 2014.

In Northern Ireland appliances are exempted by publication on a list by the Department of Agriculture, Environment and Rural Affairs under Section 16 of the Environmental Better regulation Act (Northern Ireland) 2016. In Wales appliances are exempted by regulations made by Welsh Ministers.

Further information on the requirements of the Clean Air Act can be found here: <https://www.gov.uk/smoke-control-area-rules>

Your local authority is responsible for implementing the Clean Air Act 1993 including designation and supervision of smoke control areas and you can contact them for details of Clean Air Act requirements.

The Jøtul F 602 ECO has been recommended as suitable for use in smoke control areas when burning wood logs.

3.1 Fire Prevention Measures

There is a certain element of danger every time you use your fireplace. The following instructions must therefore be followed:

- The minimum safety distances when installing and using the fireplace are given in **fig. 1**. The specified distance to flammable materials, applies to this stove. The stove must be installed with a CE approved flue. The distance of the flue pipe to combustible materials must also be observed.
- Ensure that furniture and other flammable materials are not too close to the fireplace. Flammable materials should not be placed within **550 mm** of the fireplace.
- Allow the fire to burn out. Never extinguish the flames with water.

- The fireplace becomes hot when lit and may cause burns if touched.
- Only remove ash when the fireplace is cold. Ash can contain hot embers and should therefore be placed in a non-flammable container.
- Ash should be placed outdoors or be emptied in a place where it will not present a potential fire hazard.

In case of chimney fire:

- Close all hatches and vents.
- Keep the firebox door closed.
- Call the fire service.
- Before use after a fire an expert must check the fireplace and the chimney in order to ensure that it is fully functional.

3.2 Glove

Use the protective glove when handling the product when it is hot.

3.2 Floor

Foundation

You need to make sure the foundation is suitable for a fireplace. See “**2.0 Technical Data**” for specified weight.

We recommend the removal of any flooring that is not attached to the foundation (“floating floors”) beneath the installation.

Requirements for protection of wooden flooring beneath the fireplace

The product can be placed directly on a wooden floor, protected by a floor plate made from non combustible material (recommended thickness - minimum **0,9 mm**)

Jøtul recommends that any flooring made of combustible material, such as linoleum, carpets, etc. should be removed from under the floor plate.

Requirements for protection of inflammable floors in front of the fireplace

The front plate must comply with national laws and regulations.

Contact your local building authorities regarding restrictions and installation requirements.

3.3 Walls

- The product should be placed so that it is possible to clean the stove, flue pipe and chimney outlet.
- Make sure furniture and other combustible materials do not get too close to the stove.
- Make shure furniture and other items are not placed too close to the stove, to prevent them from drying out.

Distance to walls made of combustible material - see **fig. 1a**
The stove must be installed with a CE approved flue pipe.
The distance from flue pipes to combustible materials must also be taken into account.

Combustible wall protected by firewall

Distance to combustible wall protected by firewall: See **fig. 1b**
. Distances with semi-insulated chimney/shielded flue pipe are shown in **fig. 1a**.

Firewall requirement

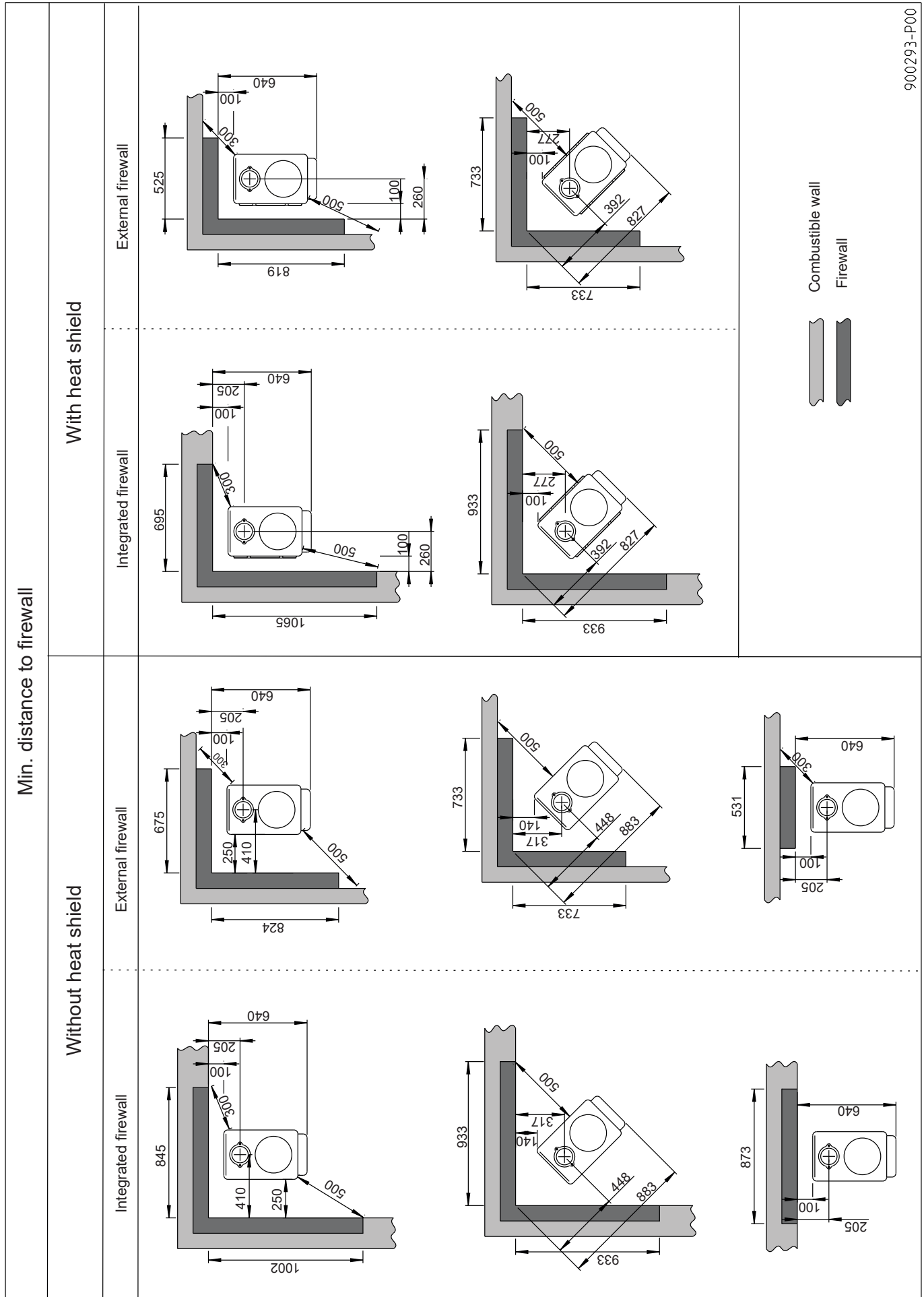
The firewall must be at least **100 mm** thick and be made of brick, concrete-stone or light concrete. Other materials and structures with satisfactory documentation may also be used.

Non-combustible wall (all the way through)

The fireplace can be installed with a minimum of 100 mm to non-combustible wall if the distance from the fireplace to all combustible materials are a minimum of 300 mm.

Non-combustible materials mean materials like brick, clinker, concrete, mineral wool, silicate plates etc (materials that do not burn). **Note!** A short distance to non-combustible wall may lead to desiccation and discoloration of paint and cause cracking.

Fig. 1b



3.4 Ceiling

There must be a minimum distance of 700 mm to a combustible ceiling above the fireplace.

Fresh air supply

The air used for combustion in any well-insulated house needs to be replaced. This is particularly important in houses with mechanical ventilation. Such replacement air can be procured in several ways. The most important thing is to supply the air to the room where the stove is placed. Place the outside wall valve as close to the stove as possible and make sure that it can be closed when the stove is not in use.

Extractor fans, when operating in the same room or space as the appliance, could cause problems.

For the fresh air supply connection, follow the national and local building regulations.

Important! Ensure that air vents in the room where the fireplace is located are not blocked.

Closed combustion system

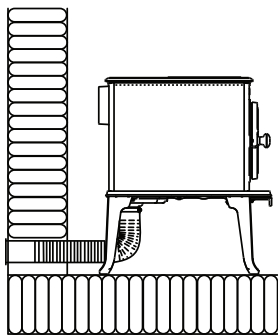
Use the stove's closed combustion system if you live in recently built, airtight dwellings. Connect the external combustion air through a ventilation pipe through the wall or the floor.

Air supply

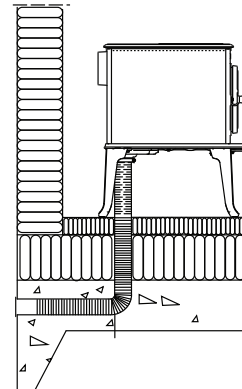
The amount of combustion air for Jøtul's products is approximately 20-40 m³/h. The outside air connection may be fitted directly to the Jøtul F 602 ECO through:

- the bottom
- through a flexible supply hose from the outside/chimney (only if the chimney has its own duct for external air) and to the product's outside air connector.

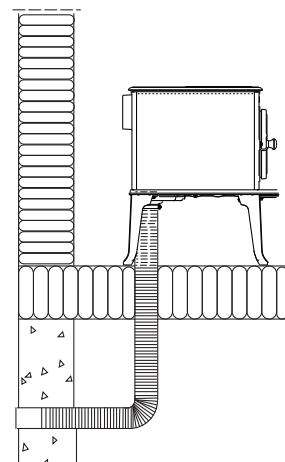
Through an outside wall



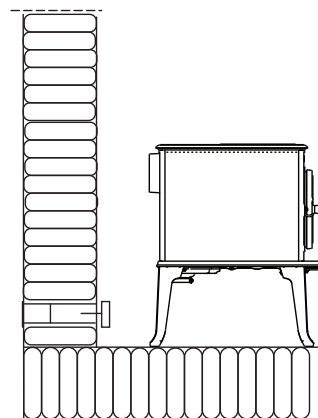
Through the floor and ground plate



Through the floor and basement



Indirectly through an outside wall



ENGLISH

4.0 Installation

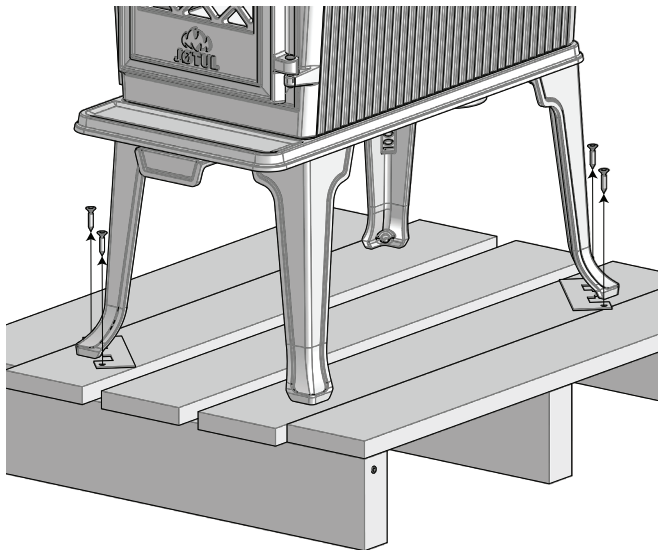
- Before installing the fireplace, check it carefully for any signs of damage.
- The product is heavy! Ask someone to help you when positioning and installing it.
- **Make sure that furniture and other household items are at a safe distance from the fireplace to protect them from drying out.**
- The stove must be installed in rooms with a good ventilation. A good ventilation is vital for the efficient operation of your stove.
- The appliance shall not be installed with ventilating systems which have pressure below -15 Pa.
- We recommend installing smoke detectors in the home.
- The distances specified in the manual only apply if you comply with the maximum amount of firewood. They only guarantee fire safety.
- There is no guarantee that the present building materials can withstand the temperature in relation to visual changes.
- Check that Building Regulations and any local by laws are followed during installation.

4.1 Prior to installation

1. The standard product comes in one package.
2. Remove the bag of screws and smoke outlet from the stove.
3. When the product is unpacked, release from the pallet.

Make sure everything is in order.

Fig. 2 Release from pallet

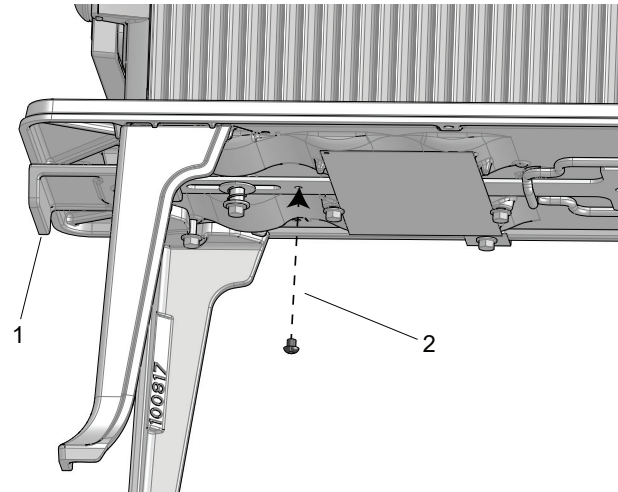


4. Remove the 4 transport screws

Requirement for UK

"The Jotul F 602 ECO stove has been recommended as suitable for use in smoke control areas when burning wood logs and when fitted with a mechanical stop to prevent secondary air control closure less than 360 mm²

Fig. 3 Requirement for UK



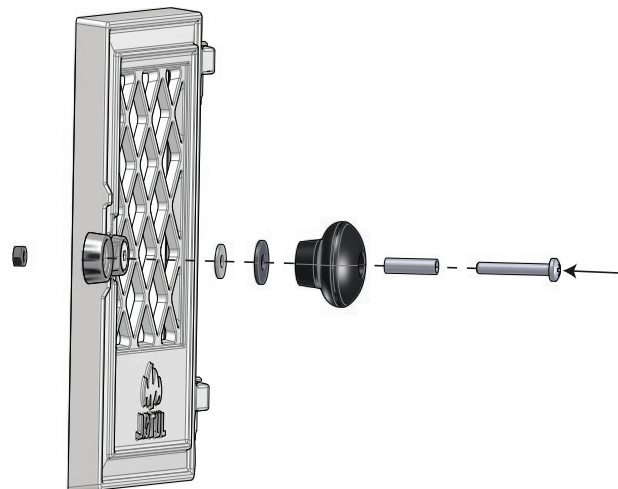
1. Put the valve edge-to-edge with the ash lip.
2. Use the screw from the bag of screws and screw it into the burnchamber.

4.2 Installation

Fig. 4a Assemble the handle - parts

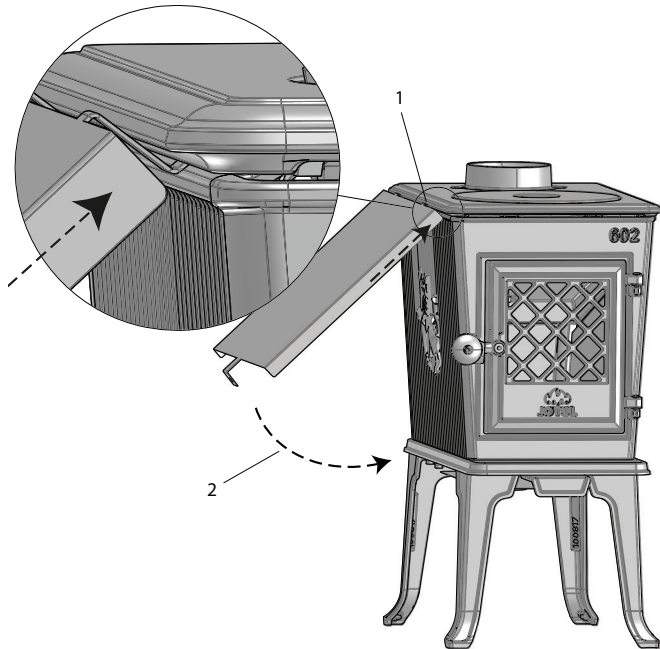


Fig. 4b Assemble the handle



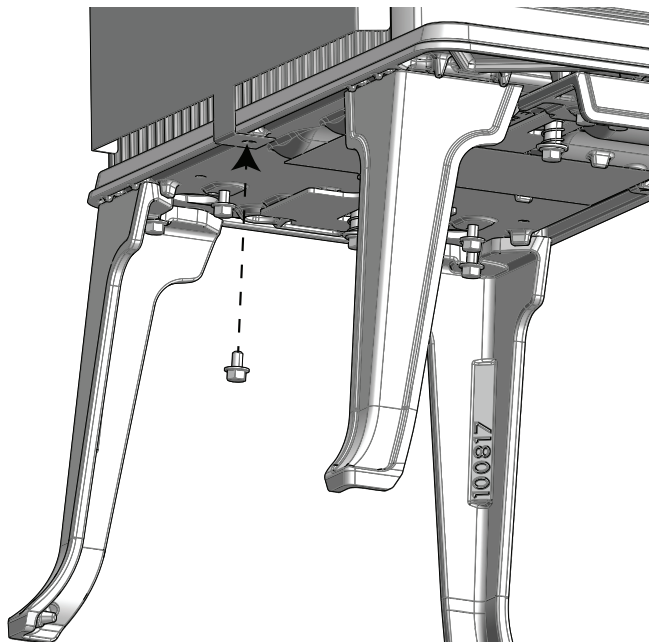
1. Mount the wooden knob on the door handle. The parts are in the bag of screws.

Fig. 5 Installing heat shield (optional extra)



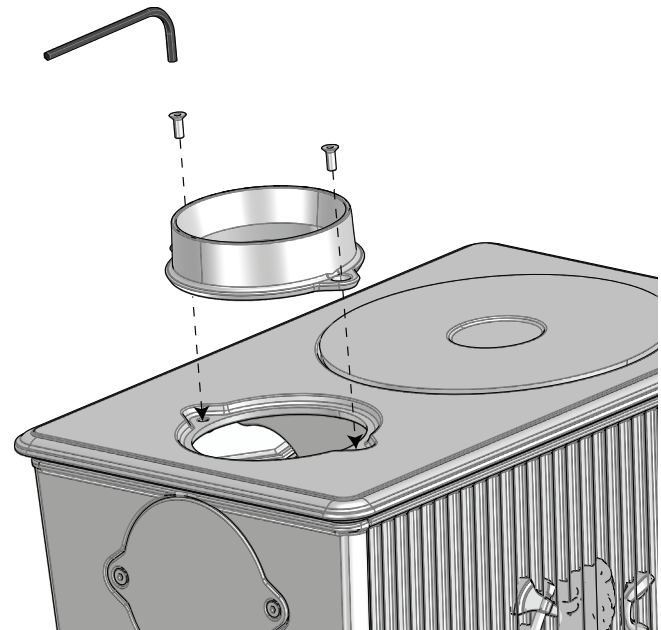
1. Hook the heat shield into the groove under the top plate.
2. Bend the shield plate towards the oven.
3. The heat shield can be mounted on either the right or left side (possibly both sides if required).

Fig. 5b Attach the heat shield



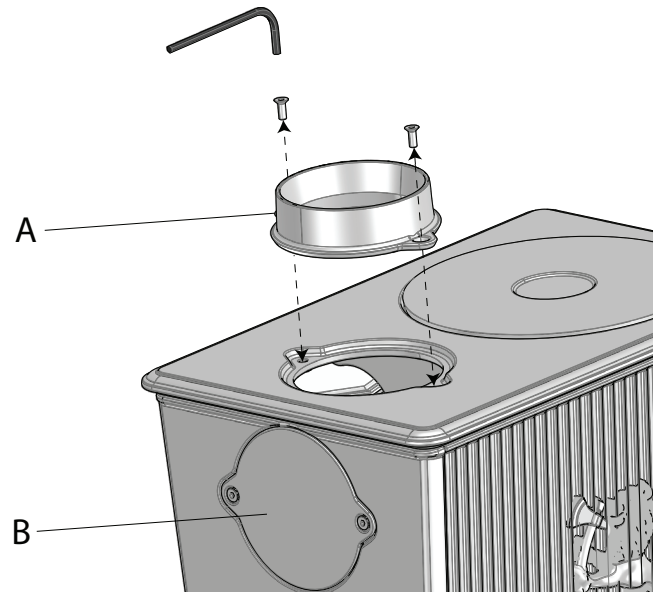
1. Screw the heat shield to the underside of the product, with the screw included in the bag of screws.

Fig. 6 Mount the smoke outlet on the top outlet



1. Tighten the smoke outlet with the screws that are screwed into the product from the factory.

Fig. 7a Switch from top outlet to rear outlet

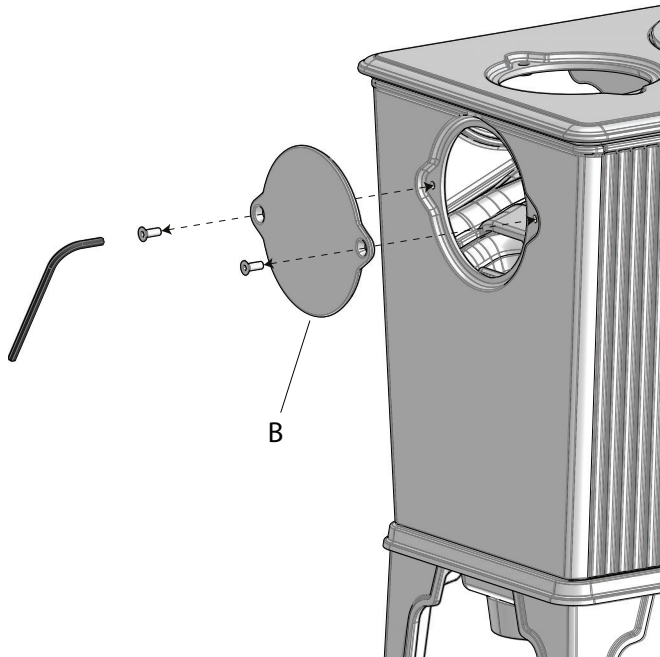


A

B

ENGLISH

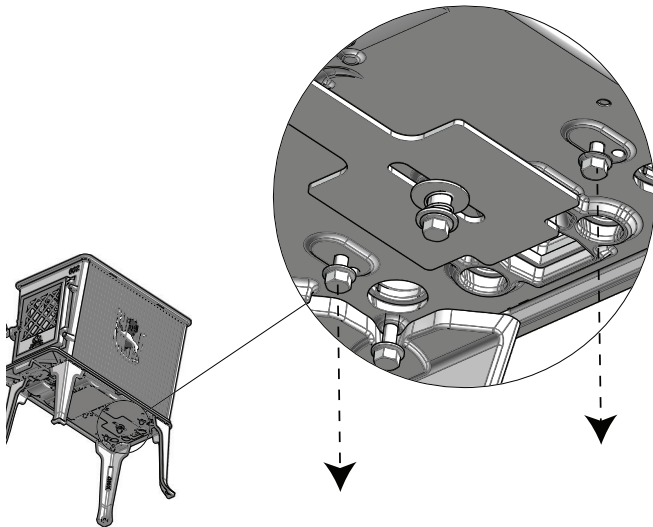
Fig. 7b



1. Switch places between smoke outlet **(A)** and smoke outlet cover **(B)**. Unscrew the two screws with an Allen key.

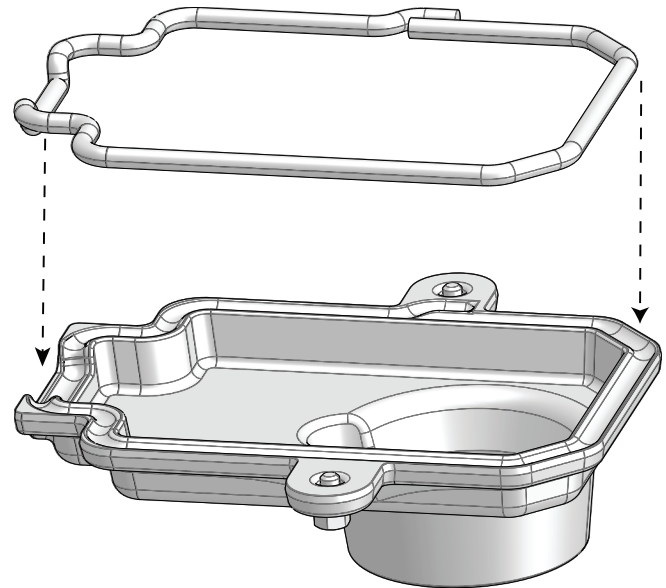
4.3 Assembly with an external air supply (optional extra)

Fig. 8 Loosen the screws for the external air supply adaptor.



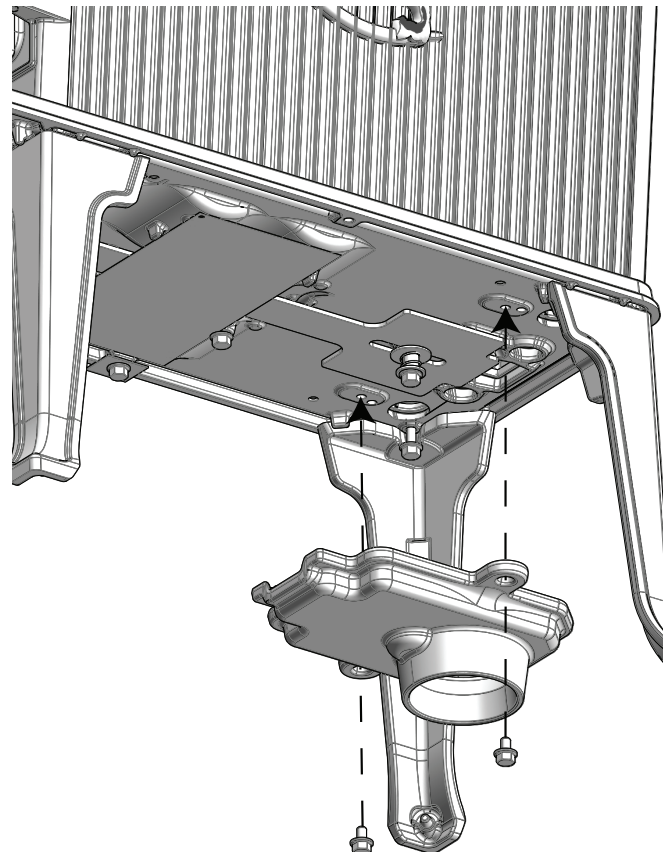
1. The screws to be used for the external air supply adaptor are mounted in the oven from the factory. These must be loosened and used as shown in Fig. 10 if fresh air supply is to be used.

Fig. 9 Installation of gasket on the external air supply adaptor



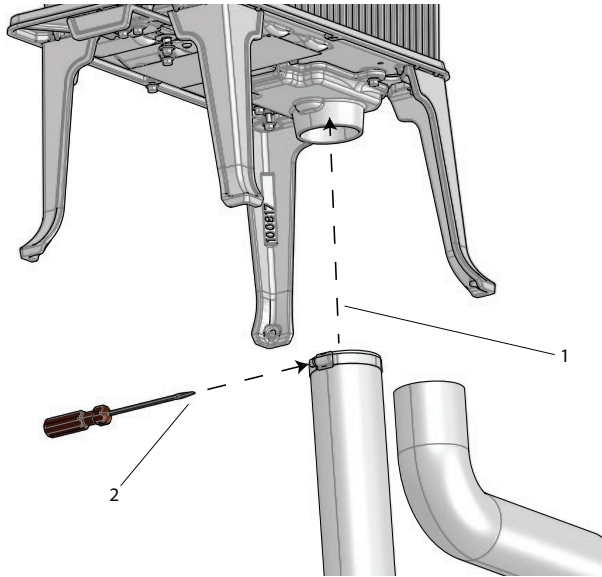
1. Remove the protective paper from the supplied gasket and place the gasket in the slot on the external air supply adaptor.

Fig. 10 Mounting of the external air supply



1. The screws loosened in Fig. 8 are used to secure the external air supply adaptor.

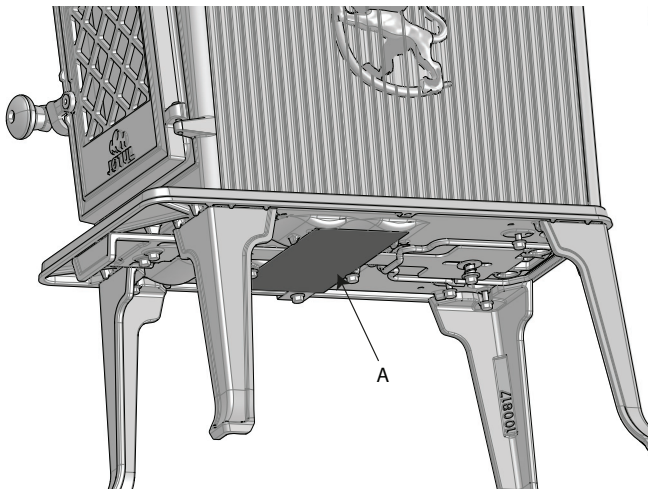
Fig. 11 Mounting of external air supply connection



1. Place the external air supply connection on the outside of the external air supply adaptor. This works the same way for both wall and floor outlet.
2. Tighten with screwdriver.

4.4 Location of approval label

Fig. 12 Approval label



1. The approval label (A) is located on the bottom of the stove.

4.5 Chimney and flue pipe

- The fireplace must only be connected to a chimney and flue pipe approved for solid fuel fireplaces with flue gas temperatures as specified in «**2.0 Technical Data**».
- For flue pipe dimension see «**2.0 Technical Data**». NB: The chimney's diameter must be at least just as big as the flue pipe.
- Connection to the chimney must be carried out in accordance with the chimney supplier's installation instructions.
- Before a hole is made in the chimney, the product should be test-mounted in order to correctly mark the position of the fireplace and the hole in the chimney. See fig. 1 for minimum dimensions.
- Use a flue pipe bend with a sweep hatch to allow sweeping.
- Please note that it is extremely important for connections to have a degree of flexibility. This is to prevent any movement in the installation leading to the formation of cracks.
- For recommended chimney draught, see «**2.0 Technical Data**».
- When using a semi-insulated flue pipe (starter section), the part must at a minimum comply with class T 400-N1-D-Vm-L50050-G100. For installation requirements, see drawing.
- The function of the chimney and the flue pipe in terms of safety distances must be met. The chimney shall be proven according to EN 13384-2:2015+A1:2019 depending on the individual situation on site.

NB! The minimum recommended chimney length is 3.5 m from the flue pipe insert. If the draught is too strong, a flue pipe damper can be installed and used to reduce the draught. If a flue damper is fitted it shall be of a type, which does not block the flue totally. The damper shall be easy to operate and incorporate an aperture within the blade, which in a continuous area occupies at least 20 cm² or 3 % of the cross-sectional area of the blade if this is greater.

The position of the damper shall be recognizable from the setting of the device.

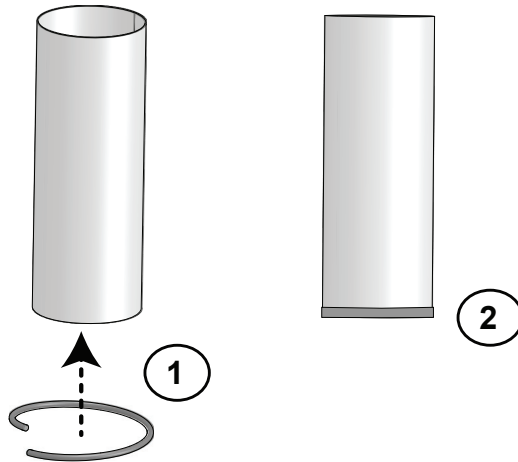
If a draught regulator is fitted the minimum cross sectional area requirement shall not be applicable but the device shall be easily accessible for cleaning.

ENGLISH

Assembly of flue pipe

The product is assembled for a top outlet as standard.

Fig. 13 Assembling the flue pipe

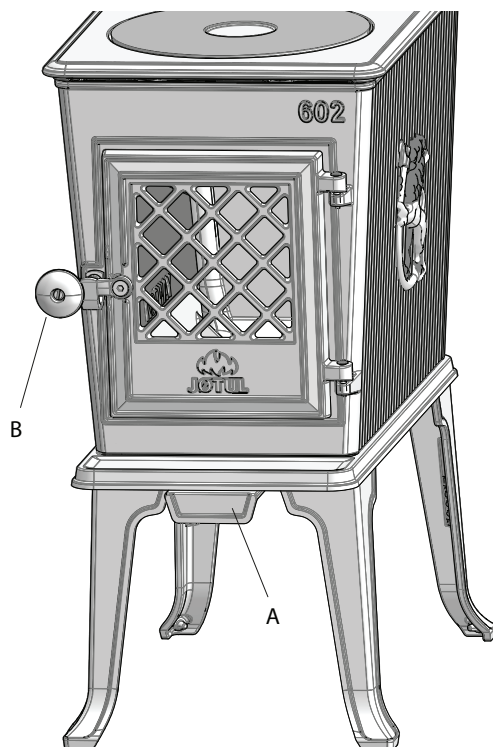


1. Pull off the protective paper from the supplied gasket and attach it to the outside of the flue pipe
 2. Insert the flue pipe into the smoke outlet.
- Flue pipe is installed in the same way for top and rear outlet.

4.6 Performance check

Once the product has been assembled, always check the control handles. These should move easily and work in a satisfactory manner.

Fig. 14 The Jøtul F 602 ECO is equipped with the following operating options:

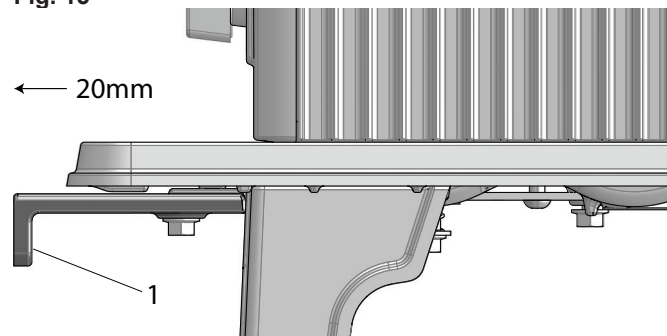


Air and ignition vent (A). Adjusts in and out in the horizontal direction (see fig. 15-17)

Door handle (B). Opens by lifting the handle up and pulling out.

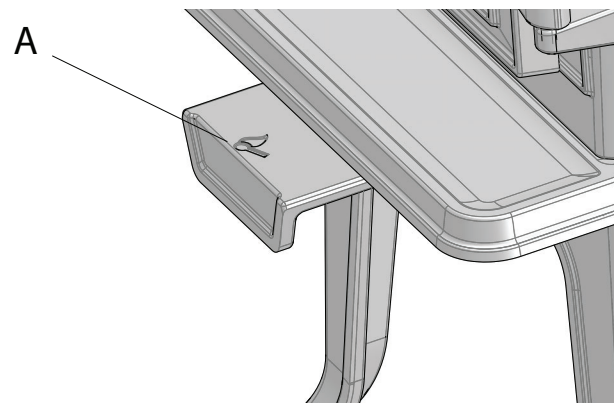
Valve adjustment

Fig. 15



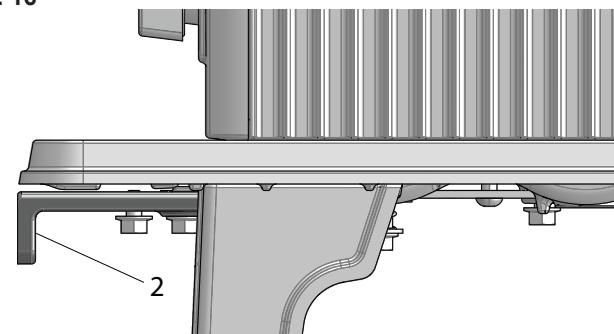
1. Pulled out completely : Open (used during ignition)

Fig. 15b



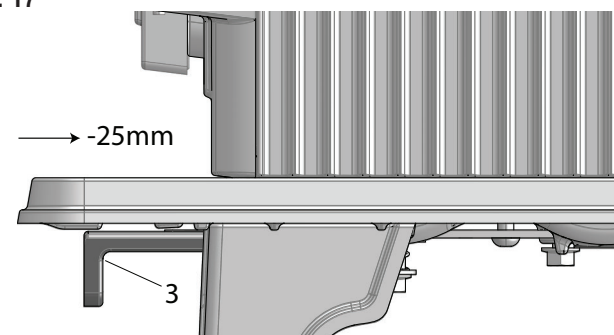
When the match symbol (A) is displayed, the valve is open for ignition.

Fig. 16



2. Edge-to-edge with ash lip: Max air after ignition

Fig. 17

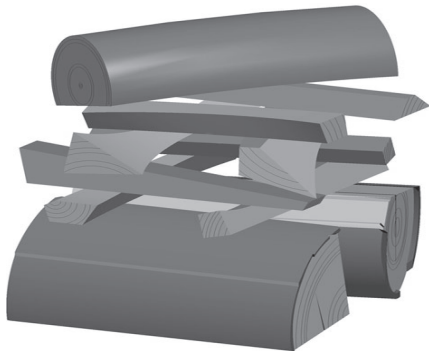


3. Pushed in: **Closed**

4.7 Use

- Open the air vent and the ignition vent by pulling it out all the way (A). If necessary, keep the door slightly open. (Use a glove, for example, as the handle can become hot.)
- Place two medium sized logs in/out on each side of the base. N.B. In order to avoid sooting on the glass, it is important that the log is not placed adjacent to the glass on the product.
- Put 2-3 briquettes (or birch bark) between these and add some kindling wood in a criss-cross pattern on top and light the newspaper.
- Gradually increase the size of the woodlogs.
- Finally, place a medium-sized log on the top of the pile.
- Then regulate the rate of combustion to the desired level of heating by adjusting the air vent.
- Close the stove door. It must always be closed when the fire is lit.
- Operation with the air controls or appliance dampers open can cause excess smoke. The appliance must not be operated with air controls, appliance dampers or door left open except as directed in the instructions.
- Operation with the door open can cause excess smoke. The appliance must not be operated with the appliance door left open except as directed in the instructions.

Fig. 18



Adding firewood

Stoke the stove frequently but only add small amounts of fuel at a time. If the stove is filled too full, the heat created may cause extreme stress in the chimney. Add fuel to the fire in moderation. Avoid smouldering fires as this produces the most pollution. The fire is best when it is burning well and the smoke from the chimney is almost invisible.

If there is insufficient burning material in the firebed to light a new fuel charge, excessive smoke emission can occur. Refuelling must be carried out onto a sufficient quantity of glowing embers and ash that the new fuel charge will ignite in a reasonable period. If there are too few embers in the fire bed, add suitable kindling to prevent excessive smoke.

Danger of overheating

The fireplace must never be used in a manner that causes overheating.

Overheating occurs when there is too much fuel and/or too much air so that too much heat develops. A sure sign of overheating is when parts of the fireplace glow red. If this happens, reduce the air vent opening immediately.

Seek professional advice if you suspect that the chimney is not drawing properly (too much/too little draught). For further information, see «4.0 Installation» (Chimney and flue pipe).

Condensation

Condensation in a fireplace / flue pipe / chimney may occur. This may be caused by moist firewood or differences in temperature in the fireplace and environment.

Condensed water coming from the fireplace appears as a black, tar-like liquid. This should be wiped off immediately to avoid discoloration of the fireplace, floor or surrounding building components.

It is important to get the wood burning quickly to avoid condensation

If the condensation continues, mineral sand can be placed on the bottom plate.

Removing the ashes

- Only remove ashes when the fireplace is cold.
- Use a shovel to scrape the ashes out, but always leave a little ash at the bottom of the combustion chamber as a protective insulating layer.
- Ashes should be placed outside in a metal container.

5.0 Daily use

Odours when using the fireplace for the first time

Odours when using the fireplace for the first time

When the fireplace is used for the first time, it may emit an irritating gas which may smell slightly. This happens because the paint dries. The gas is not toxic but the room should be thoroughly ventilated. Let the fire burn with a high draught until all traces of the gas have disappeared and no smoke or odours can be detected.

Heating advice

NB: Logs that have been stored outdoors or in a cold room should be brought indoors 24 hours before use to bring them up to room temperature.

There are various ways of heating the stove but it is always important to be careful about what you put in the stove. See the section on “Wood quality”.

NB! Combustion with too low air supply can lead to poor combustion, poorer efficiency, high particulate emissions, black carbon and other health and climate hazardous compounds.

ENGLISH

Wood quality

By quality wood we mean most well-known types of wood such as birch, spruce and pine.

The logs should be dried so that the moisture content is no more than 20%.

To achieve this, the logs should be cut during the late winter. They should be split and stacked in a way that ensures good ventilation. The wood stacks should be covered to protect the logs from rain. The logs should be brought indoors during early autumn and stacked/stored for use in the coming winter.

Be especially careful never to use the following materials as fuel in your fireplace:

- Household rubbish, plastic bags, etc.
- Painted or impregnated timber (which is extremely toxic).
- Laminated wooden planks.
- Driftwood

These may harm the product and are also pollutants.

NB: Never use petrol, paraffin, methylated spirit or similar liquids to light the fire. You may cause serious injury to yourself and damage to the product.

Wood consumption

Jøtul F 602 ECO has a nominal heat output of **ca. 5 kW**. Use of wood, with nominal heat emission: Approx. **1,5 kg/h**. The size of the logs should be:

Kindling:

Length: 25-33 cm

Diameter: 5 cm

Amount per fire: 5-8 pieces

Firewood (split logs):

Length: Ca 19 - 33 cm

Diameter: Approx. 4-7 cm

Intervals for adding wood: Approximately every 50 minutes

Size of the fire: 1.4 kg (nominal efficiency)

Amount per load: 2 pieces

The given testresults have been obtained by loading 2 logs á 19 cm, total weight of 1,4 kh. The logs are laid across. Valve set for about 40 % air, about 10 mm in from the edge.

The maximum amount of fuel specified in this manual should not be exceeded, overloading can cause excess smoke.

5.1 How wind and weather affect the stove

The performance of the stove can be affected considerably by the wind acting on the chimney at different strengths. It may therefore be necessary to adjust the air supply to ensure good combustion performance. It might also be a good idea to install a damper in the flue pipe so that the chimney draught can be regulated according to the strength of the wind.

Fog and mist can have a significant impact on the chimney draught and it might be necessary to use other combustion air settings to ensure good performance.

5.2 The importance of the chimney

The chimney is the engine that drives the fireplace and it's essential to have a good chimney in order for the fireplace to function properly.

The draught in the chimney creates a vacuum in the stove.

The combustion air is also used for the airwash system that keeps the window clear of soot.

The draught in the chimney is caused by the difference in temperatures inside and outside the chimney. The greater the temperature difference, the better the draught in the chimney. It is therefore important to allow the chimney to reach operating temperature before adjusting the air vents to restrict combustion in the stove (a brickwork chimney takes longer to reach operating temperature than a steel chimney).

It is particularly important to reach operating temperature as quickly as possible on days on which the draught in the chimney is poor due to unfavourable wind and weather conditions. Make sure the fuel ignites as quickly as possible. Practical tip: Chop the wood into much smaller pieces and use an extra firelighter.

NB: If the stove has not been used for some considerable time, it is important to check the chimney pipe for blockage.

5.3 General notes

PLEASE NOTE! Parts of the wood-burning stove, especially the outer surfaces, become hot during use. Due care should be exercised.

- Wear a glove when handling the stove
- Never empty ashes into a flammable container. Ashes can contain glowing embers long after you finish operating the stove
- Keep the combustion chamber closed except during ignition, refuelling and removal of residue material to prevent fume spillage
- Keep the air intake and output holes free from any accidental blockage while the stove is in use
- When the stove is not in use you can close the dampers to avoid a draught through the stove
- If the stove has not been used for some time, you should check the flue passageways for potential blockages before relighting
- We advise you strongly not to use the stove over night. The stove is not suited for this purpose
- NOTE: Never place flammable material in the radiation zone of the stove!

6.0 Maintenance

6.1 Cleaning the glass

The product is equipped with an air wash for the glass. Air is sucked in through the air vent on the top of the product and down along the inside of the glass.

However, some soot will always stick to the glass, but the quantity will depend on the local draught conditions and adjustment of the air vent. Most of the soot layer will normally be burned off when the air vent is opened all the way and a fire is burning briskly in the fireplace.

Good advice! For normal cleaning, moisten a paper towel

with warm water and add some ash from the burn chamber. Rub it over the glass and then clean the glass with clean water. Dry well. If it is necessary to clean the glass more thoroughly we recommend using a glass cleaner (*follow the instructions on the bottle*).

6.2 Cleaning and soot removal

Soot deposits may build up on the internal surfaces of the fireplace during use. Soot is a good insulator and will therefore reduce the fireplace's heat output. If soot deposits accumulate when using the product, they can be easily removed by using a soot remover.

In order to prevent a water and tar layer from forming in the fireplace you should regularly allow the fire to burn hot in order to remove the layer. An annual internal cleaning is necessary to get the best heating effect from the product. It is a good idea to do this in connection with the sweeping of the chimney and flue pipes.

6.3 Sweeping of flue pipes to the chimney

On certain free-standing fireplaces the top plate can be lifted off and the pipe swept through the top.

Otherwise, flue pipes must be swept through the flue pipe sweeping hatch or through the product's door opening. Then, the baffle must be removed.

6.4 Inspection of the fireplace

Jøtul recommends that you personally inspect your fireplace carefully after sweeping/cleaning. Check all visible surfaces for cracks. Also check that all joints are sealed and that the gaskets are in the correct position. Any gaskets showing signs of wear or deformation must be replaced.

Thoroughly clean the gasket grooves, apply ceramic glue (available from your local Jøtul dealer), and press the gasket well into place. The joint will dry quickly.

6.5 Exterior maintenance

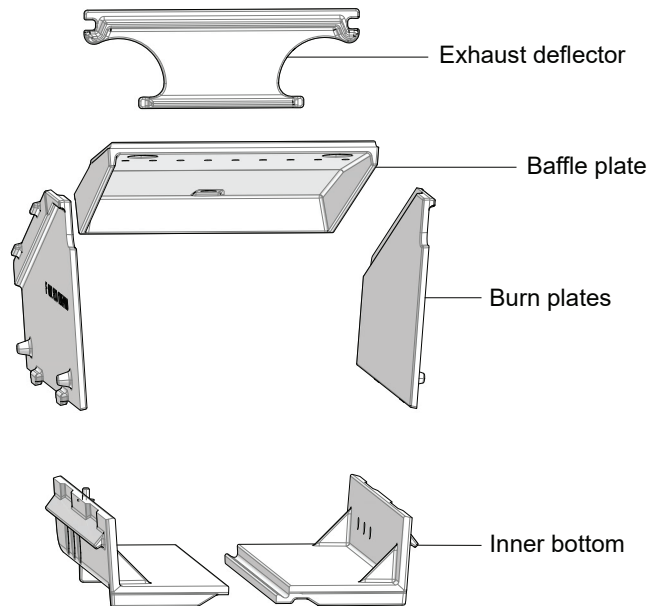
Painted products may change colour after several years usage. The surface should be cleaned and brushed free of any loose particles before new paint is applied.

Important! Never place anything on the top plate of the stove. This could cause permanent damage to the paint or enamel.

7.0 Service

Any unauthorised modifications to the product are prohibited!
Only original spare parts may be used!

Fig. 19

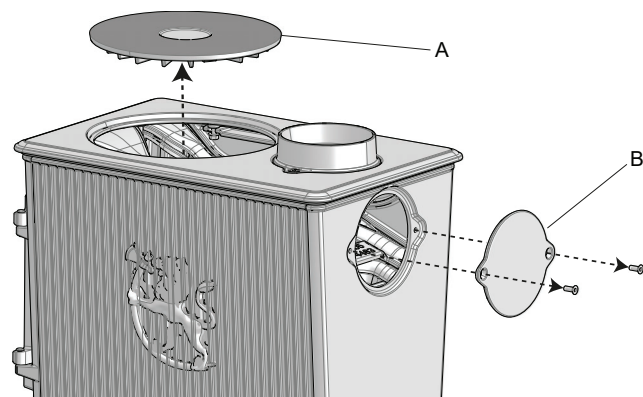


7.1 Replacing parts in the burn chamber

Use tools with great care.

Replacing the baffle plate

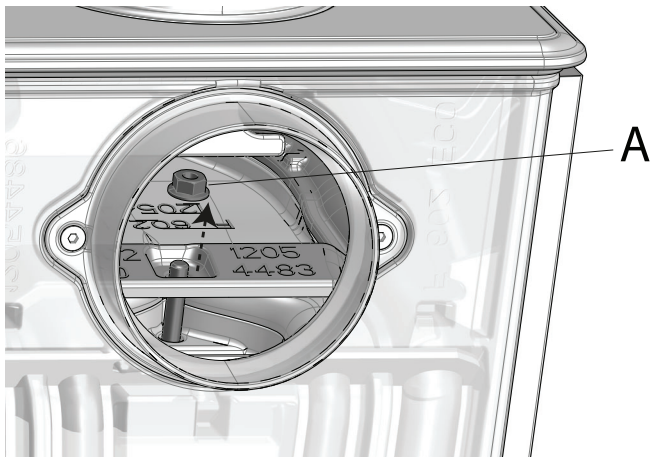
Fig. 20 Removing the hot plate and smoke outlet cover



1. Lift the hot plate (A)
2. Unscrew the smoke outlet cover (B)

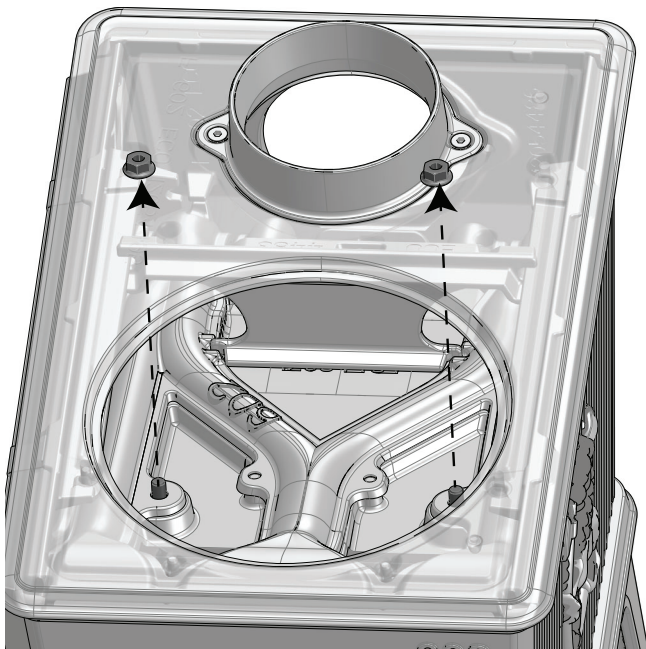
ENGLISH

Fig. 21 Loosen nuts on the baffle plate



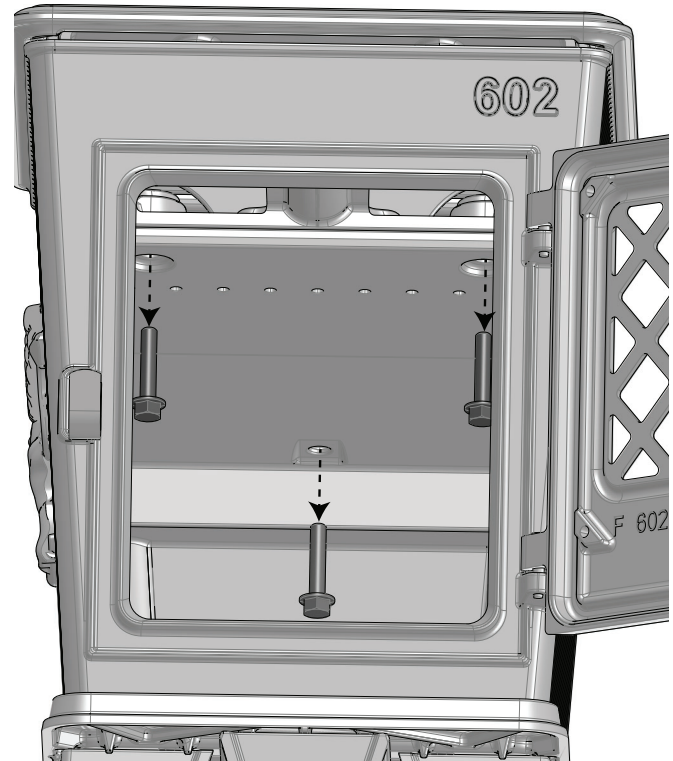
3. Loosen the nut (A) on top/back of the baffle plate

Fig. 22 Loosen nuts on the baffle plate



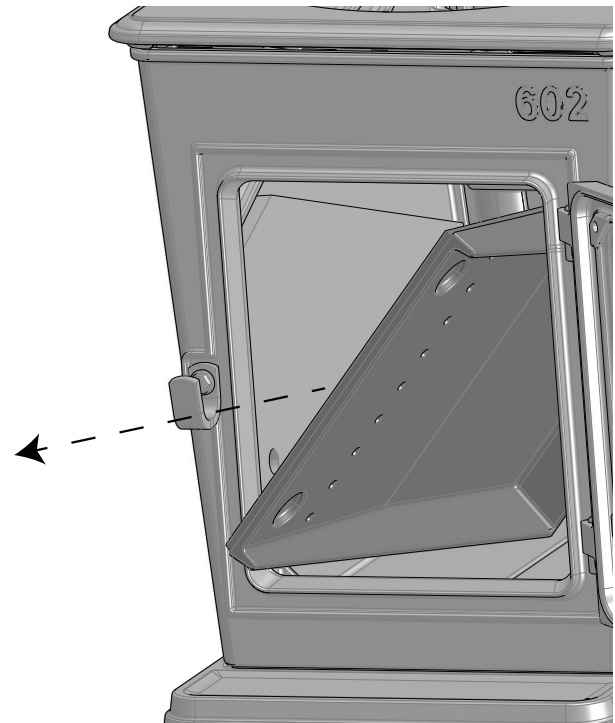
4. Loosen the two nuts on top of the baffle plate
5. Remove the left and right burn plate(see figur 26)

Fig. 23 Unscrew the screws in the baffle plate



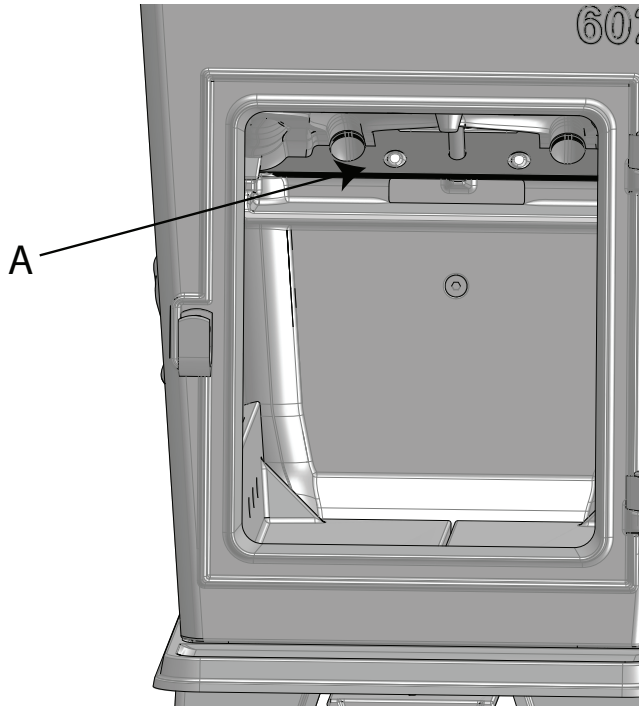
6. Unscrew the three screws holding the baffle plate in place.

Fig. 24 Removing the baffle plate



7. Tilt the baffle plate out of the stove.
8. When refitting, follow the same procedure in reverse order. (first see fig. 25)

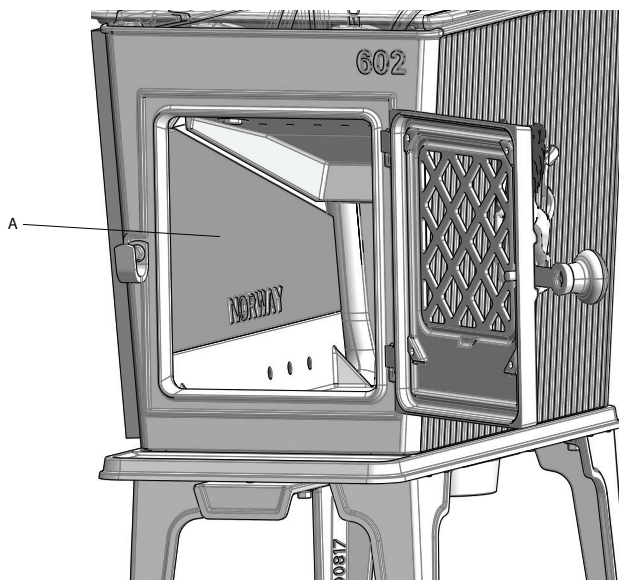
Fig. 25 Replace gasket against backplate



9. The gasket (A) will break when removing the baffle plate. This must be replaced by putty / fiber pulp when reassembling a new baffle plate.

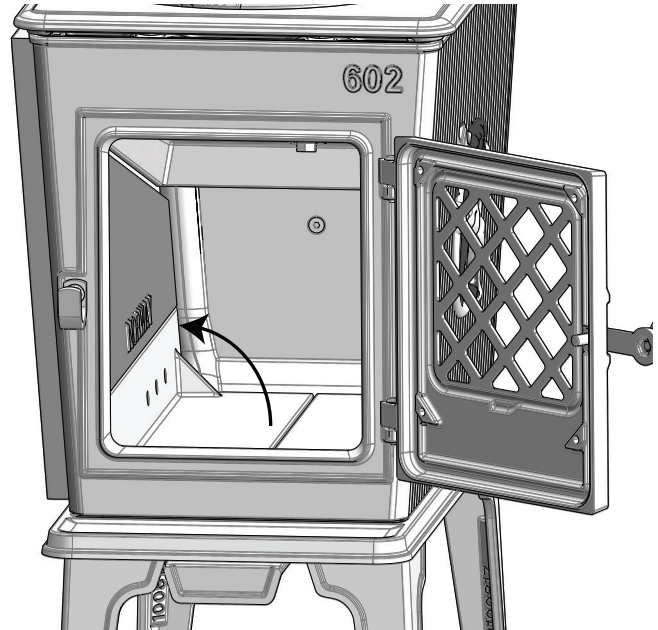
7.2 Replacing the burn plates/inner bottom

Fig. 26 Replacing the burn plates



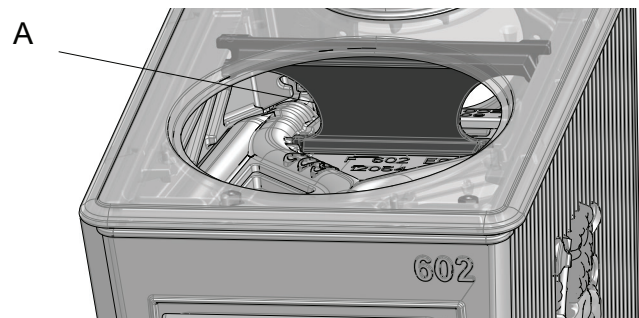
1. Remove the burn plate (A) by lifting and tilting the burn plate out of the stove. This is done on both sides of the combustion chamber. When refitting, follow the same procedure in reverse order.

Fig. 27 Replacing the inner bottom



1. Tilt up the left inner bottom, then tilt it out of the stove. Do the same with the right inner bottom. When refitting, follow the same procedure in reverse order.

Fig. 28 Replacing the exhaust reflector



1. Remove the hot plate (see fig. 20)
 2. Lift the exhaust reflector (A) up from the slot and tilt it out.
 1. When refitting, follow the same procedure in reverse order.

ENGLISH

8.0 Operational problems - troubleshooting

Poor draught

Check the length of the chimney and that it complies with national laws and regulations. (See also «**2.0 Technical data**» and «**4.0 Installation**» (**Chimney and flue pipe**) in the installation manual for information.)

Make sure that the minimum cross section on the chimney is according to «**2.0 Technical data**» in the installation manual.

Make sure that there is not anything preventing the smoke gasses from escaping: branches, trees, etc.

Upon suspicion of excessive/poor draught in the chimney, seek professional help for measurement and adjustment.

The fire extinguishes after a while

- Make sure that the firewood is sufficiently dry.
- Find out whether there is negative pressure in the house, close mechanical fans and open a window close to the fireplace.
- Check that the air vent is open.
- Check that the flue outlet is not clogged by soot.

Unusual amount of soot accumulates on the glass

Some soot will always stick to the glass, but the quantity depends on:

- Moisture in the fuel.
- The local draught conditions.
- Air vent opening.

Most of the soot will normally burn off when the air vent is opened all the way and a fire is burning briskly in the fireplace.

9.0 Optional equipment

9.1 External air supply cover

Cat. no. 10055054

9.2 Heat shield

Cat. no. 10054507

9.3 Hotplate Ø125

Cat. no. 51054941

9.4 External air adaptor

Cat. no. 51054938

9.5 External air kit Ø80

Cat. no. 51047509

10.0 Recycling

10.1 Recycling packaging

Your fireplace is delivered with the following packaging:

- A wooden pallet that can be cut up and burned in the fireplace.
- Cardboard packaging that should be taken to a local recycling facility.
- Plastic bags that should be taken to a local recycling facility.

10.2 Recycling the fireplace

The fireplace is made of:

- Metal that should be taken to a local recycling facility.
- Glass that should be disposed of as hazardous waste. The glass in the fireplace must not be placed in a regular source segregation container.
- Vermiculite burn plates that can be disposed of in regular waste containers.

11.0 Guarantee terms

1. Our guarantee covers:

Jøtul AS guarantees that the external cast-iron parts are free from defects in materials or manufacturing at the time of purchase. You may extend the guarantee on the external cast-iron parts to 25 years from the date of delivery by registering the product on jotul.com, and print out the extended guarantee card within three months of purchase. We recommend that the guarantee card be kept together with the receipt. Jøtul AS also guarantees that steel plate parts are free from defects in materials or manufacturing at the time of purchase for a period of 5 years from the date of delivery.

The guarantee applies on the condition that the stove has been installed by a qualified installer in accordance with applicable laws and regulations and Jøtul's installation and operating instructions. Repaired products and replacement items are guaranteed within the original guarantee period.

2. The guarantee does not cover:

- 2.1. Damage to consumables such as burn plates, fire grates, flue baffles, gaskets and similar as these deteriorate over time due to normal wear and tear.
- 2.2. Damage caused as a result of improper maintenance, overheating, use of unsuitable fuel (e.g. of unsuitable fuel are, but not limited to driftwood, impregnated wood, plank offcuts, chipboard) or too moist / wet wood.
- 2.3. Installation of optional extras for the purpose of rectifying local draught conditions, air supply or other circumstances beyond Jøtul's control.
- 2.4. Cases involving alterations / modifications to the fireplace without Jøtul's consent or the use of non-original parts.
- 2.5. Damage caused during storage at a distributor, transport from a distributor or during installation.
- 2.6. Products sold by unauthorized sellers in areas where Jøtul operates a selective distribution system.
- 2.7. Associated cost (e.g. but not limited to, transport, manpower, travel) or indirect damages.

Pellets stoves, glass, stone, concrete, enamel and paint finish (e.g. but not limited to chipping, cracking, bubbling or discolouration and crazing) are applicable to the national legislation governing the sale of consumer goods. This guarantee is valid for purchases made within the territory of the European Economic Area. All guarantee inquiries must be addressed to your local authorized Jøtul dealer within a reasonable amount of time, which shall not be later than 14 days from the date on which the fault or defect first became apparent. See list of importers and dealers on our web site www.jotul.com.

If Jøtul is unable to meet the obligations outlined in the above guarantee terms, Jøtul will offer a replacement product with a similar heating capacity free of charge.

Jøtul reserve the right to decline of any replacement of parts or service in the event that the guarantee is not registered online. This guarantee does not affect any rights under applicable national legislation governing the sale of consumer goods. The national complaint right applies from the purchase date and only in exchange for a receipt / serial number.

FR - Manuel d'installation et d'utilisation

Sommaire

2.0 Caractéristiques techniques.....	24
3.0 Sécurité	28
4.0 Installation.....	32
5.0 Utilisation au quotidien.....	37
6.0 Entretien.....	38
7.0 Maintenance.....	39
8.0 Dysfonctionnements – Causes et dépannages.....	41
9.0 Équipements disponibles en option.....	42
10.0 Recyclage.....	42
11.0 Conditions de garantie.....	42

2.0 Caractéristiques techniques

Installation

- Le propriétaire de la maison a la responsabilité de faire effectuer l'installation et le montage conformément à la réglementation nationale, européenne et locale du bâtiment ainsi qu'aux renseignements indiqués dans ces instructions de montage et d'utilisation
- L'installation d'un nouvel appareil de chauffage au bois doit être déclarée aux autorités locales de contrôle du bâtiment. Il est également obligatoire de faire inspecter et approuver l'installation par un ramoneur local avant la mise en service, suivant réglementation locale.
- Afin d'assurer le fonctionnement et la sécurité optimum de l'installation, nous recommandons de faire effectuer l'installation par un monteur professionnel. Notre revendeur Jøtul peut vous recommander/indiquer un monteur dans votre région **Vous trouverez des informations sur nos revendeurs Jøtul sur www.jotul.fr**

Securité

D'éventuelles modifications du produit, effectuées par le revendeur, le monteur ou l'utilisateur, peuvent avoir pour résultat un fonctionnement incorrect du produit et modifier les conditions de sécurité. Il en est de même du montage d'accessoires ou d'options non fournis par Jøtul AS. Cela peut également arriver dans le cas où des pièces nécessaires au fonctionnement et à la sécurité du poêle ont été démontées ou retirées.



Le poêle à bois est fabriqué conformément au type d'homologation mentionné dans la notice de montage et d'utilisation du produit. Veuillez lire attentivement les instructions générales!

Vous trouverez la déclaration DoP sur notre site Internet www.jotul.fr

Caractéristiques techniques

Essai effectué selon with EN 16510		
	Classification de l'appareil	Type BE
P_{nom}	Puissance thermique nominale	4,9 kW
η_{nom}	Rendement utile à la puissance thermique nominale	81 %
η_s	Efficacité énergétique saisonnière pour le chauffage des locaux	71 %
EEl	Index de rendement énergétique	107
	Classe énergétique	A+
	Combustible	Bois*
	Longueur max. des bûches	400 mm
	Consommation de combustible	1,42 kg/h
	Quantité par chargement	1,19 kg
	Quantité de bois, max.	2 kg
CO_{nom}	Emission de CO pour 13% d'O ₂ à la puissance thermique nominale	0,06 %
		1133 mg/Nm ³
NO_{xnom}	NO _x à 13% O ₂ à la puissance thermique nominale	88 mg/Nm ³
OGC_{nom}	OGC à 13% O ₂ à la puissance thermique nominale	46 mg/Nm ³
PM_{nom}	Poussière à 13% O ₂ à la puissance thermique nominale	23 mg/Nm ³
p_{nom}	Dépression à la puissance thermique nominale	12 Pa
	Dépression de fonctionnement recommandée	18-20 Pa
	Besoin en air de combustion	10,6 m ³ /h
T_{snom}	Température de la cheminée à la puissance thermique nominale	311 °C
T class	Classe de température	T400 G
$\phi_{f,g nom}$	Quantité de fumée à la puissance thermique nominale	4,6 g/sec
V_h	Perte d'air statique	NPD m ³ /h
	Fuite avant test à une pression de 5 Pa (1013 mbar, 27 °C)	3,17 Nm ³ /h
	Fuite avant test à une pression de 10 Pa (1013 mbar, 27 °C)	5,74 Nm ³ /h
	Fuite avant test à une pression de 15 Pa (1013 mbar, 27 °C)	7,53 Nm ³ /h
CON/INT	Service ininterrompu (CON)/Fonctionnement par intermittence (INT)	INT**
	Classement de réaction au feu	A1
E, f	Tension d'alimentation, fréquence	- V

* Utilisez uniquement les combustibles recommandés – désignation I.

** Fonctionnement intermittent: utilisation normale du poêle dans laquelle on ajoute du bois lorsqu'il ne reste plus que des braises.

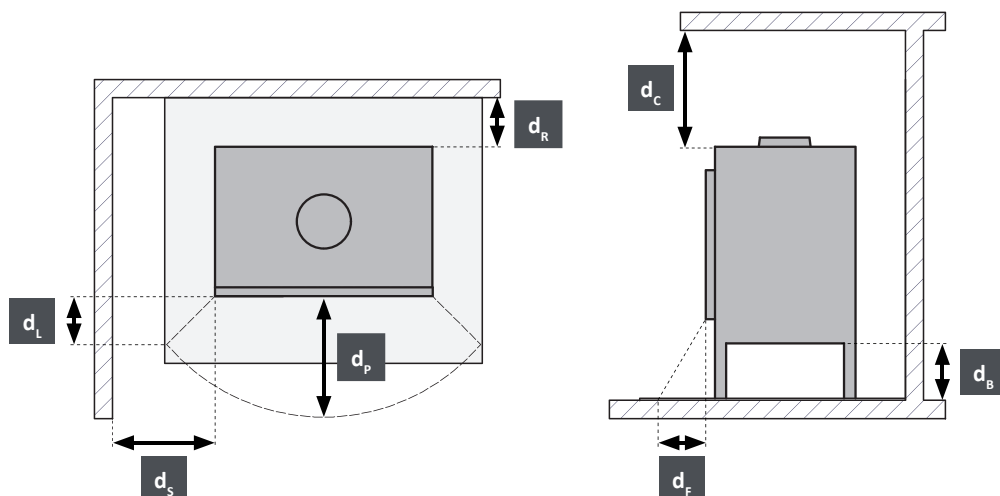
*** Utilisation des accessoires : voir les dessins d'installation

Caractéristiques techniques

Données techniques de base		
Matériaux		Acier inoxydable Fonte Pierre céramique/vermiculite Verre
Traitement de surface		Senotherm
Sortie de fumée		haut / dos
d_{out}	Pièce de raccordement, diam. int. (pour tuyau extérieur)	125 mm
	Arrivée d'air frais, diamètre ext.	80 mm
L	Dimensions principales (Profondeur)	540 mm
H	Dimensions principales (Hauteur)	637 mm
W	Dimensions principales (Largeur)	320 mm
m	Poids	86 kg
m_{chim}	Charge maximale d'une cheminée que le poêle peut supporter	120 kg

Distance minimale par aux matériaux inflammables		
d_R	Arrière (section de départ non isolée / isolée)	300/250 mm
d_S	Latéral	500*** mm
d_C	Plafond	750 mm
d_P	Avant	550 mm
d_F	Avant par rapport au sol	0 mm
d_L	Rayonnement latéral	0 mm
d_B	De puis le sol	252 mm
d_{non}	Distances minimales par rapport aux non combustibles	50 mm
	Coin (section de départ non isolée / isolée)	350/300*** mm
	Le code pour le conduit de fumée isolé	T400-N1-D-Vm-L50050-G100

*** Utilisation des accessoires : voir les plans d'installation



Plaque signalétique

Tous les poêles Jøtul sont munis d'une plaque signalétique qui indique les normes de mise à l'essai et la distance à des matériaux combustibles.

La plaque signalétique se trouve à l'arrière du poêle. Il vous sera systématiquement demandé lorsque vous contacterez votre revendeur ou Jøtul.

Plaque signalétique

1 → JØTUL F 602 ECO

2 → Harmonised standard: EN 16510-2-1:2022

3 → Approved by: DTI • NB no. 1235

4 → Classification of appliance: Type BE

5 → Recommended fuels (designation): Wood logs (I)

6 → Manufacturer: Jøtul AS, POB 1411, N-1602 Fredrikstad, Norway

7 → Declaration of Performance: CPR-F602ECO-14072025

8 → Intended use: Space heating in residential buildings

9	10	11	12
P_{nom}	4,9	kW	Read instruction manual for further information
η_{nom}	81	%	
CO_{nom} (13% O ₂)	1133	mg/m ³	
NO_{xnom} (13% O ₂)	88	mg/m ³	
OGC_{nom} (13% O ₂)	46	mg/m ³	
PM_{nom} (13% O ₂)	23	mg/m ³	
p_{nom}	12	Pa	
d_R (rear)	300	mm	
d_S (side)	500	mm	
d_C (ceiling)	750	mm	
d_P (front)	550	mm	
d_F (floor in front)	0	mm	
d_L (side radiation area)	0	mm	
d_B (bottom)	252	mm	

For distance to combustibles when using insulated flue pipe and/or additional accessories, refer to the instruction manual.

10067861-P00

13 → Lot no: 000000 2025 Pin:000

EXPLICATION DE LA PLAQUE SIGNALÉTIQUE

- 1** Type, numéro ou désignation du modèle permettant d'identifier le produit
- 2** Normes en vigueur
- 3** Société / laboratoire d'essai où la certification a eu lieu
- 4** Classification de l'appareil
- 5** Combustibles recommandés
- 6** Nom et adresse du fabricant
- 7** Document de déclaration de performance
- 8** Tableau des valeurs

- P_{nom} - puissance nominale
 - η_{nom} - rendement utile à la puissance thermique nominale
 - CO_{nom} - émission de CO pour 13 % d'O₂ à la puissance thermique nominale
 - NO_{xnom} - NO_x à 13 % O₂ à la puissance thermique nominale
 - OGC_{nom} - OGC à 13 % O₂ à la puissance thermique nominale
 - PM_{nom} - poussière à 13 % O₂ à la puissance thermique nominale
 - p_{nom} - dépression à la puissance t. nominale
- Distance min. par aux matériaux inflammables:
- d_R - arrière
 - d_S - latéral
 - d_C - plafond
 - d_P - avant
 - d_F - avant (par rapport au sol)
 - d_L - rayonnement latéral
 - d_B - de puis le sol

- 9** Marque de conformité CE - Les chiffres indiquent l'année de délivrance du certificat
- 10** Instructions
- 11** Déchets d'équipements électriques et électroniques
- 12** Numéro de plaque signalétique
- 13** Numéro d'enregistrement du produit

FRANCAIS

3.0 Sécurité

Remarque : Afin d'assurer un niveau de rendement et de sécurité optimal, l'installation d'un poêle Jøtul doit être confiée à un installateur qualifié (voir www.jotul.com pour la liste complète de nos revendeurs).

Toute modification de l'appareil risque de compromettre le bon fonctionnement de l'appareil et de ses éléments de sécurité. Ceci s'applique également à l'installation d'accessoires ou d'équipements en option qui ne sont pas fournis par Jøtul. Ce risque peut par ailleurs survenir dans le cas où des pièces ou éléments essentiels pour le bon fonctionnement et la sécurité du poêle, ont été désassemblés ou retirés.

Dans tous ces cas, le fabricant ne pourra être tenu responsable pour le produit et le droit de recours à la garantie sera rendu nul et sans effet.

3.1 Mesures de prévention anti-incendie

Toute utilisation du poêle comporte un certain degré de risques. C'est pourquoi, il est indispensable de toujours respecter les consignes de sécurité suivantes :

- Les distances minimales à respecter en utilisant le poêle ressortent de la figure 1. La distance avec les matériaux inflammables et ininflammables spécifiée s'applique à ce poêle. Le poêle doit être installé avec un conduit de raccordement normalisé CE. La distance minimum entre les tuyaux et les matériaux combustibles doit aussi être respectée.
- Assurez-vous que les meubles et autres matériaux inflammables ne sont pas trop rapprochés du poêle. Pas de matériaux inflammables dans un rayon de **550 mm** du poêle.
- Laissez le feu s'éteindre de lui-même. Ne tentez jamais d'éteindre le feu avec de l'eau.
- Le poêle devient très chaud lorsqu'il est allumé et peut provoquer des brûlures à la personne qui le touche.
- Attendez que le poêle soit froid pour retirer les cendres. Les cendres pouvant encore contenir des braises, il convient de les recueillir dans un réceptacle ininflammable.
- Il convient d'épandre les cendres à l'extérieur ou de les vider dans un endroit ne présentant aucun risque d'incendie.

En cas de feu de cheminée:

- Fermer l'ensemble des trappes et des entrées d'air.
- Maintenir la porte de la chambre de combustion fermée.
- Contacter le service de sécurité incendie.
- Suite à un feu de cheminée, le poêle et la cheminée doivent être contrôlés par un spécialiste avant toute nouvelle utilisation afin de s'assurer que l'installation est opérationnelle.

3.2 Gant

Utiliser le gant de protection lors de la manipulation du produit lorsqu'il est chaud.

3.3 Le sol

Il convient de s'assurer que le socle présente des dimensions adaptées au poêle. Voir «**2.0 Données techniques**» pour les normes de poids. Il est recommandé d'enlever le revêtement de sol si celui-ci n'est pas fixé (parquet flottant) pendant l'installation.

Protection d'un sol en bois

Le produit peut être placé directement sur un sol en bois, protégé par une plaque de protection en matériau non combustible (épaisseur recommandée - minimum **0,9 mm**)

Jøtul recommande de retirer tout revêtement de sol combustible (linoléum, moquette, etc.) sur la surface couverte par la plaque de sol.

Exigences relatives à la protection d'un revêtement de sol combustible à l'avant du poêle

La plaque avant doit être conforme aux législations et aux réglementations nationales en vigueur.

Contactez les autorités locales compétentes (construction) pour connaître les restrictions et les exigences liées à l'installation.

3.4 Les murs

- Le produit doit être placé de sorte qu'il soit possible de nettoyer le poêle, le conduit de fumée et la sortie de la cheminée.
- Assurez-vous que les meubles et autres matériaux inflammables ne sont pas trop rapprochés du poêle.

Distance minimale par rapport au mur en matériau combustible-voir la **fig. 1a**

Le poêle à bois doit être raccordé à un conduit de fumée homologué CE. La distance entre les conduits de fumée et les matériaux combustibles doit également être prise en compte.

Mur en matériau combustible protégé par un pare-feu

Distance minimale par rapport au mur en matériau combustible protégé par un pare-feu: Voir la **fig. 1b**

L'utilisation d'un poêle avec un conduit non isolé est autorisée, à condition que les distances séparant le poêle des matériaux combustibles du mur soient conformes à celles de la fig. 1.

Exigences relatives au mur ininflammable

Le mur ininflammable doit faire au minimum **100 mm** d'épaisseur; il doit être en briques, en béton ou en béton léger. D'autres matériaux homologués peuvent également être utilisés.

Mur incombustible (entièrement)

Le foyer peut être installé avec un minimum de **100 mm** sur un mur incombustible si la distance entre le foyer et tous les matériaux combustibles est de **300 mm** minimum.

Les matériaux non combustibles désignent les matériaux tels que la brique, le clinker, le béton, la laine minérale, les plaques de silicate, etc. (matériaux qui ne brûlent pas).

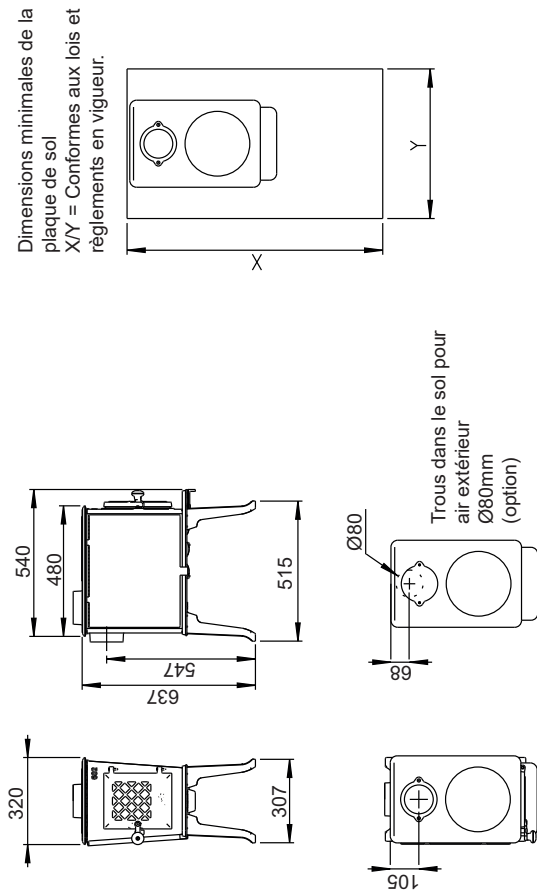
Remarque! Une distance trop courte par rapport à un mur incombustible peut entraîner des décolorations de la peinture et des dégradations de la fonte et provoquer des fissures.

3.5 Le plafond

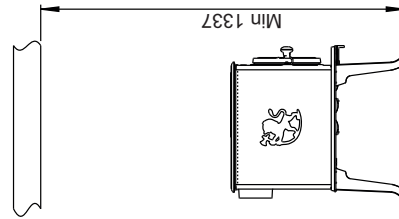
Un espace d'au minimum **700 mm** doit être respecté entre le poêle et un plafond combustible.

Fig. 1a

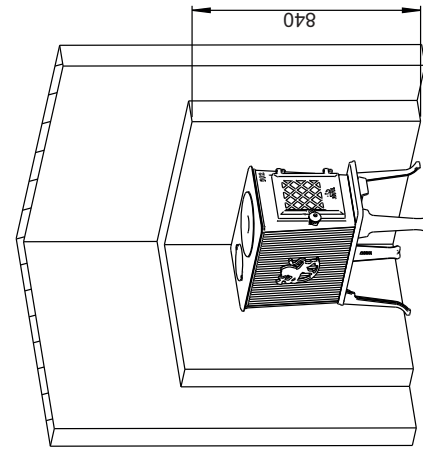
Jøtul F 602 ECO



Distance au plafond combustible

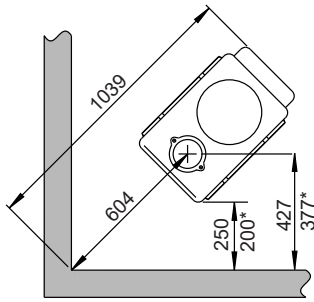


Hauteur minimale du mur ininflammable

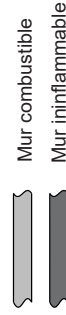
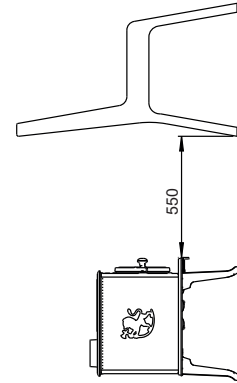
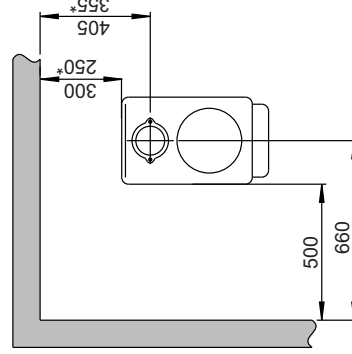
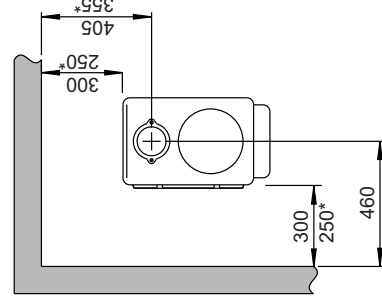
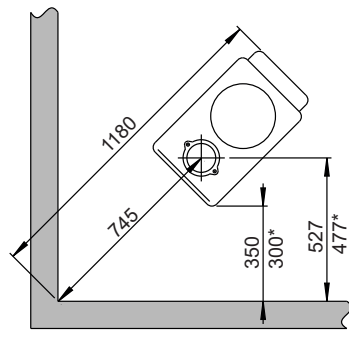


Distance par rapport à la paroi en matériau combustible

Avec plaque d'écran thermique



Sans plaque d'écran thermique



* Distance par rapport à un mur inflammable avec conduit semi-isolé / tuyau avec bouclier thermique

Fig. 1b

Distance minimale par rapport au mur en matériau combustible protégé par un pare-feu

Sans plaque d'écran thermique

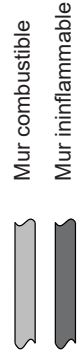
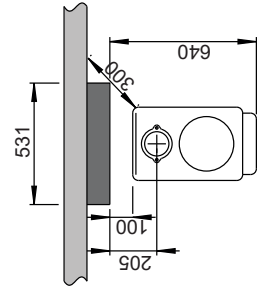
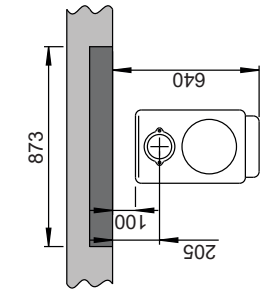
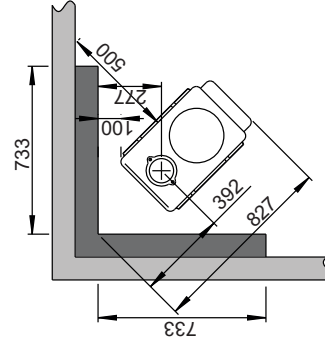
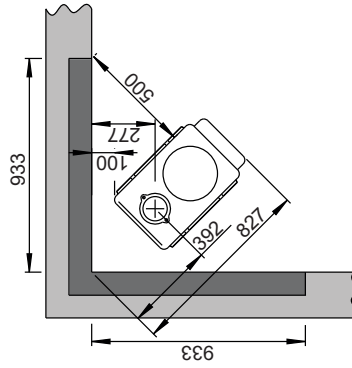
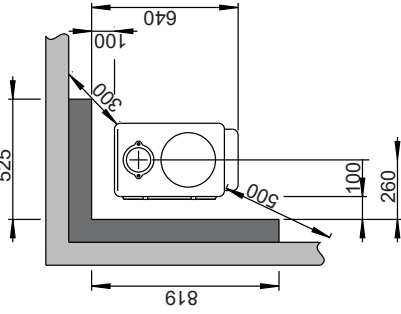
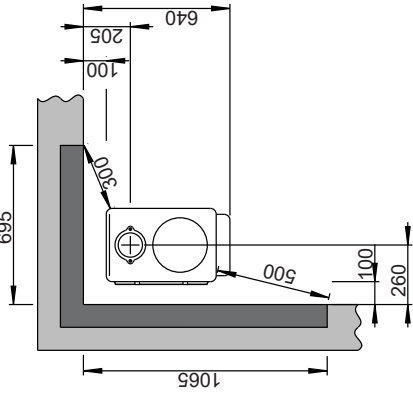
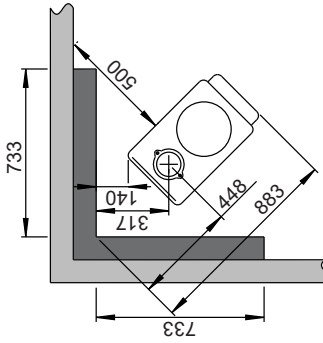
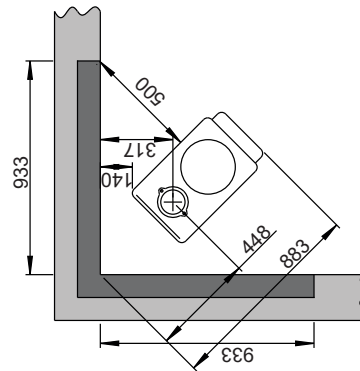
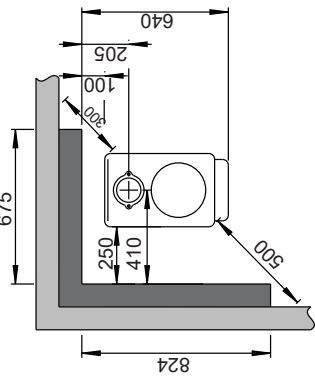
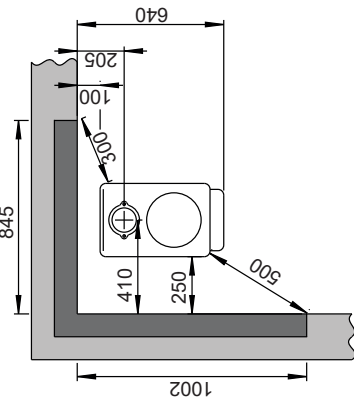
Avec plaque d'écran thermique

Intégré

Extern

Intégré

Extern



Amenée d'air frais

L'air utilisé pour la combustion doit être renouvelé en permanence. Ceci est particulièrement important dans une maison avec ventilation mécanique. Plusieurs méthodes sont possibles. Le plus important est de faire arriver l'air dans la pièce où le poêle est installé. Le clapet de mur extérieur doit être placé le plus près possible du poêle et doit pouvoir se fermer lorsque le poêle n'est pas utilisé.

Il convient de se conformer à la réglementation locale et nationale du bâtiment concernant la prise d'air extérieur.

Les hottes ou extracteurs d'air fonctionnant dans la même pièce ou le même espace que l'appareil peuvent provoquer des problèmes.

S'assurer régulièrement que les entrées d'air de ventilation de la maison ne sont pas obstruées.

Système de combustion fermé

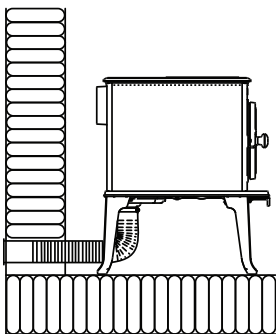
Il convient d'utiliser le système de combustion fermé du poêle dans les habitations de construction récente, étanches à l'air. L'air extérieur de combustion est raccordé par l'intermédiaire d'un tuyau d'aération via le mur ou le sol.

Arrivée d'air

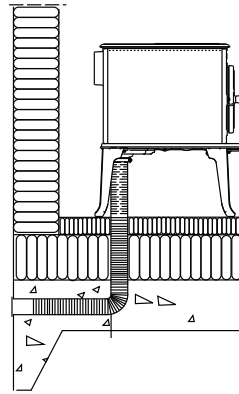
Le volume d'air de combustion des produits Jøtul est d'environ 20 à 40 m³/h. L'arrivée d'air frais peut être raccordée directement au poêle Jøtul F 602 ECO par :

- la base
- par un tuyau flexible depuis l'extérieur ou la cheminée (seulement si celle-ci dispose d'une conduite propre pour l'air frais) et vers le raccord d'air frais de l'appareil.

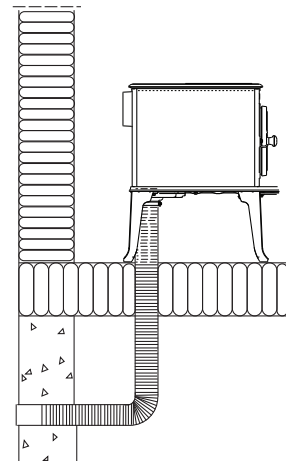
Par un mur



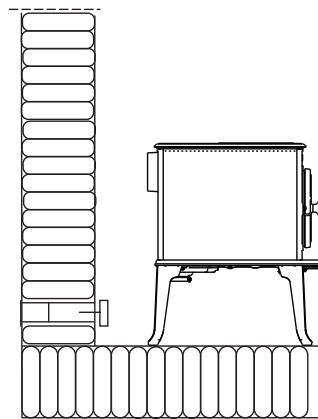
Par le sol et la plaque de sol



Par le sol et la cave



Indirectement par un mur



FRANCAIS

4.0 Installation

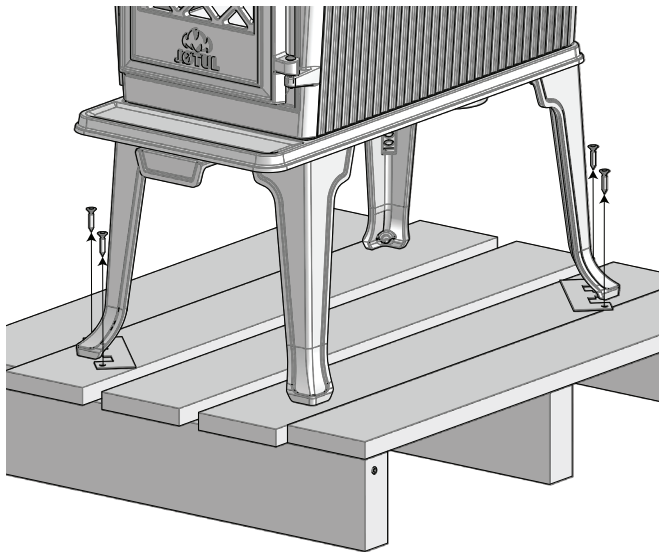
- Before installing the fireplace, check it carefully for any signs of damage.
- The product is heavy! Ask someone to help you when positioning and installing it.
- **Make sure that furniture and other household items are at a safe distance from the fireplace to protect them from drying out.**
- Le poêle doit être installé dans une pièce bien ventilée. Une bonne ventilation est essentielle pour un fonctionnement optimal du poêle.
- Il est recommandé d'installer des détecteurs de fumée dans l'habitation.
- Les distances spécifiées dans le manuel ne sont valables que si la quantité maximale de bois est respectée. Elles garantissent uniquement la sécurité incendie.
- Il n'est pas garanti que les matériaux de construction utilisés résistent à la chaleur sans subir de modifications visuelles
- Vérifiez que la réglementation nationale et les arrêtés locaux sont respectés lors de l'installation.
- L'appareil ne doit pas être installé avec des systèmes de ventilation ayant une pression inférieure à -15 Pa.

4.1 Avant l'installation

1. Le produit standard est livré dans un seul emballage.
2. Retirez le sac de vis et la sortie de fumée du poêle.
3. Lorsque le produit est déballé, retirez-le de la palette.

Assurez-vous que tout est en ordre.

Fig. 2 Dépose de la palette



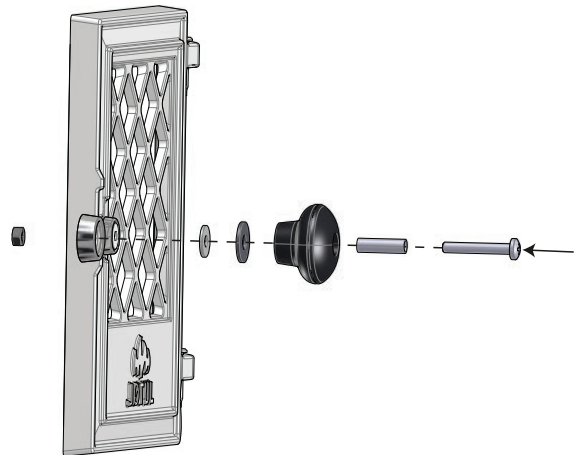
4. Retrait des 4 vis de transport

4.2 Installation

Fig. 3a Montage de la poignée - pièces

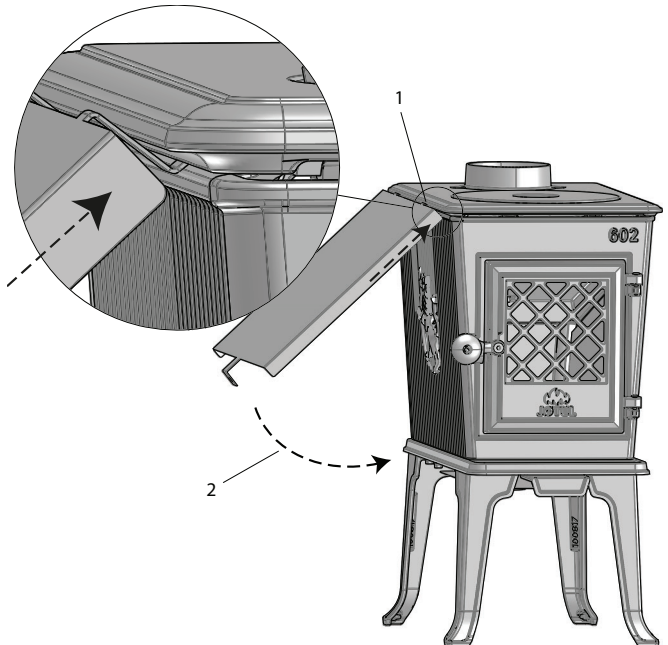


Fig. 3b Montage de la poignée



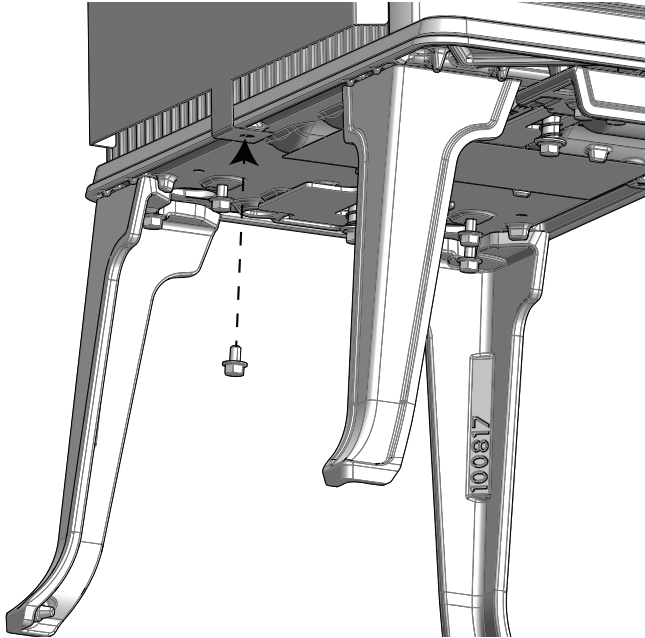
1. Monter le bouton en bois sur la poignée de la porte. Les pièces se trouvent dans le sachet de vis.

Fig. 4 Installation de l'écran thermique (en option)



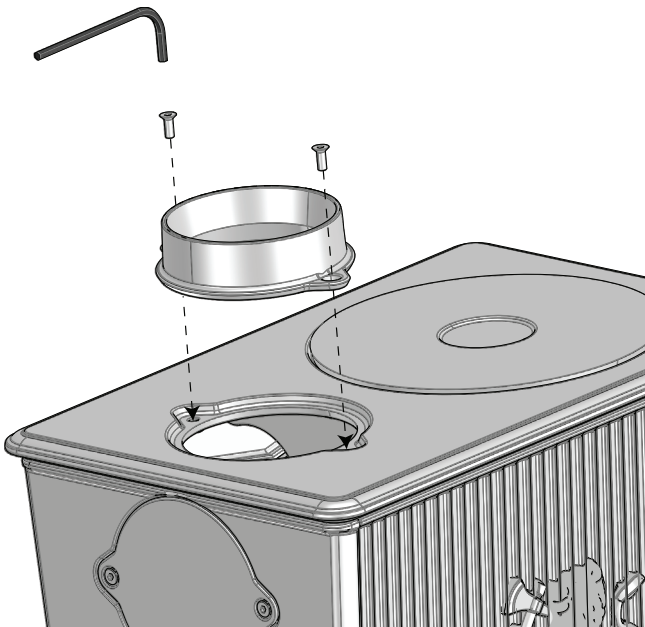
1. Accrochez l'écran thermique dans la rainure située sous la plaque supérieure.
2. Pliez la plaque de protection vers le poêle.
3. L'écran thermique peut être monté à droite ou à gauche (éventuellement des deux côtés si nécessaire).

Fig. 4b Fixation de l'écran thermique



1. Vissez l'écran thermique sur la face inférieure du produit, à l'aide de la vis fournie dans le sac de vis.

Fig. 5 Montez la sortie de fumée sur la sortie supérieure



1. Serrez la sortie de fumée à l'aide des vis fixées dans le produit départ usine.

Fig. 6a Permuter de la sortie supérieure à la sortie arrière

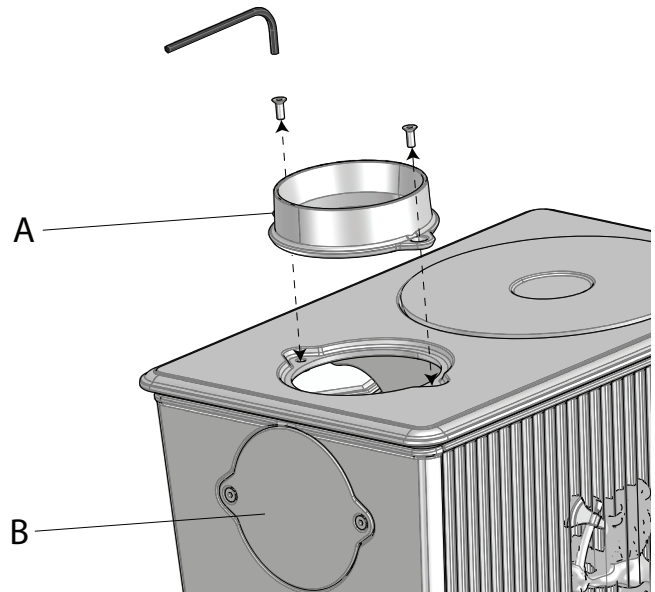
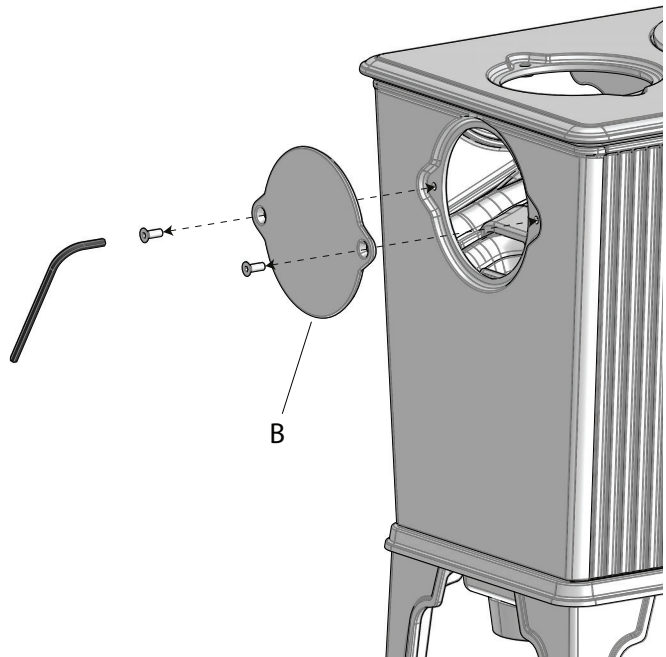


Fig. 6b

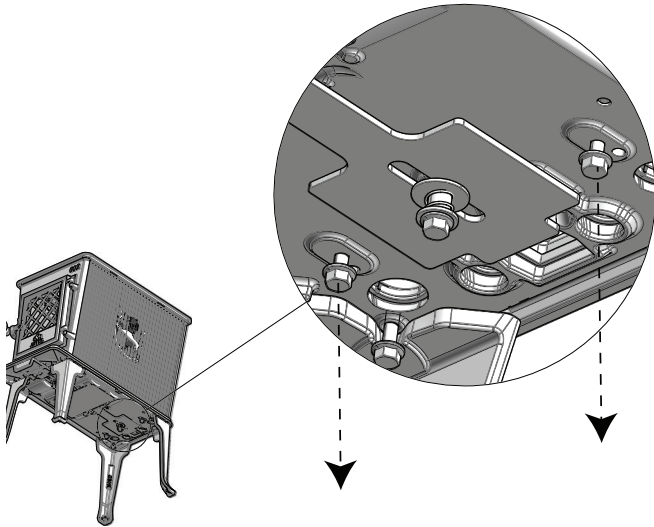


1. Permutez entre la sortie de fumée (A) et le couvercle de la sortie de fumée (B). Desserrer les deux vis à l'aide d'une clé 6 pans.

FRANCAIS

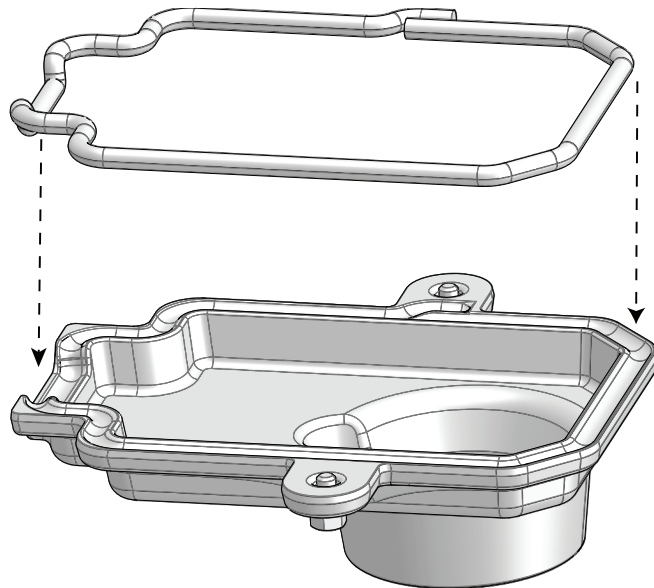
4.3 Montage avec arrivée d'air frais (en option)

Fig. 7 Desserrez les vis du couvercle de adaptateur pour d'air frais



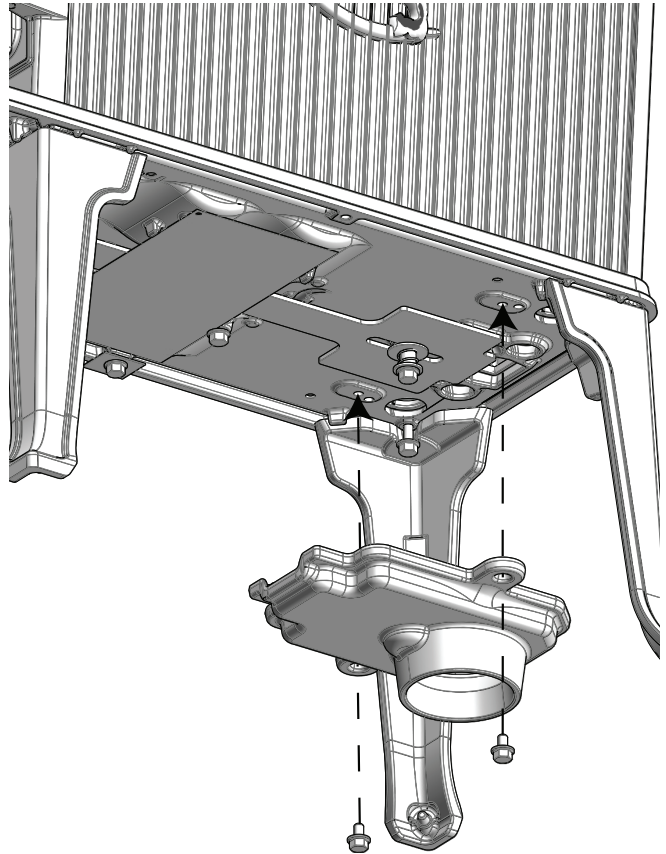
1. Les vis à utiliser pour les adaptateur sont montées dans le poêle à l'usine. Celles ci doivent être desserrées et utilisées comme indiqué à la Fig. 9 si une arrivée d'air frais est utilisée.

Fig. 8 Installation du joint sur le couvercle de adaptateur pour d'air frais



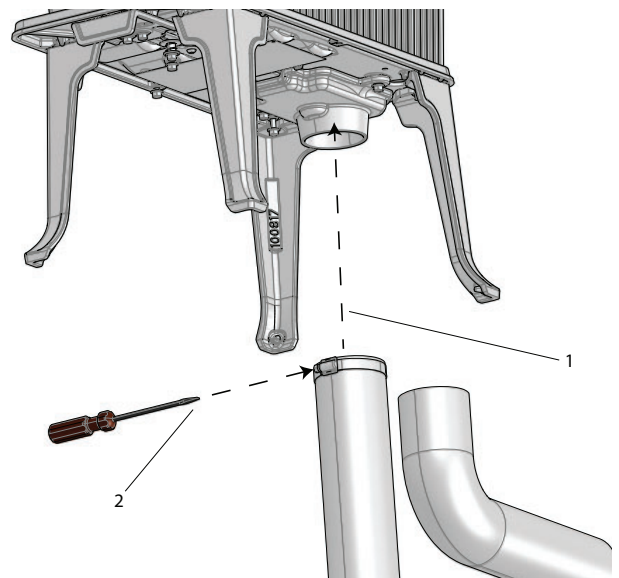
1. Retirez le papier de protection du joint fourni et placez le joint dans la fente du adaptateur pour d'air frais.

Fig. 9 Montage du couvercle de adaptateur pour d'air frais



1. Les vis desserrées de la Fig. 7 sert à attacher l'adaptateur.

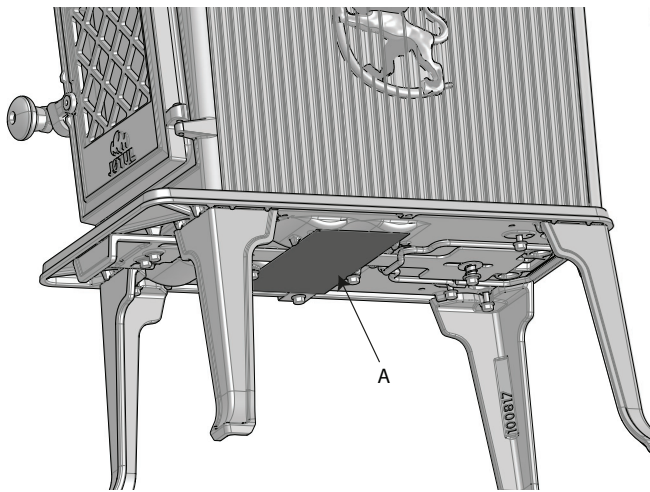
Fig. 10 Montage du raccord d'arrivée d'air frais



1. Placez le raccordement d'air frais à l'extérieur de l'adaptateur d'air frais. Ceci fonctionne de la même manière pour les sorties murale et de sol.
2. Serrer avec un tournevis.

4.4 Emplacement de la plaque signalétique

Fig. 11 La plaque signalétique



1. Ici vous trouverez la plaque signalétique (A).

4.5 Cheminées et conduits

- Le poêle peut être branché à une cheminée et à un conduit approuvés pour les poêles à combustible solide, avec les températures de fumées spécifiées dans la section «**2.0 Données techniques**».
- La section minimale de la cheminée doit correspondre à celle du conduit. Pour calculer la section adéquate de la cheminée, voir la section «**2.0 Données techniques**».
- La distance avec les matériaux inflammables spécifiée s'applique à ce poêle.
- La distance minimum entre les tuyaux et les matériaux combustibles doit aussi être respectée.
- Le raccordement à la cheminée doit être réalisé conformément aux **D.T.U. 24.1** ; ainsi qu'aux instructions d'installation du fournisseur de la cheminée.
- Procéder à un montage d'essai du poêle avant de percer un trou dans la cheminée. Voir **fig. 1** pour les cotes.
- Raccordement arrière : veiller à ce que le conduit de raccordement soit incliné vers le haut.
- Utiliser un coude de conduit doté d'une trappe ou un té ou siphon afin de permettre les opérations de ramonage suivant règlement.
- Veiller à ce que les raccordements soient souples afin d'empêcher toute fissure lors de l'installation.
- Tirage recommandé; Voir également les sections «**2.0 Données techniques**». En cas de tirage trop important, utiliser un clapet ou un modérateur de tirage.
- Lors de l'utilisation d'un conduit de fumée semi-isolé (section de départ), la pièce doit au minimum être conforme à la classe T 400-N1-D-Vm-L50050-G100. Pour les exigences d'installation, voir le dessin.
- La fonction de la cheminée et du conduit de fumée en termes de distances de sécurité doit être respectée. La cheminée doit être conforme à la norme EN 13384-2:2015+A1:2019 en fonction de la situation spécifique sur place.

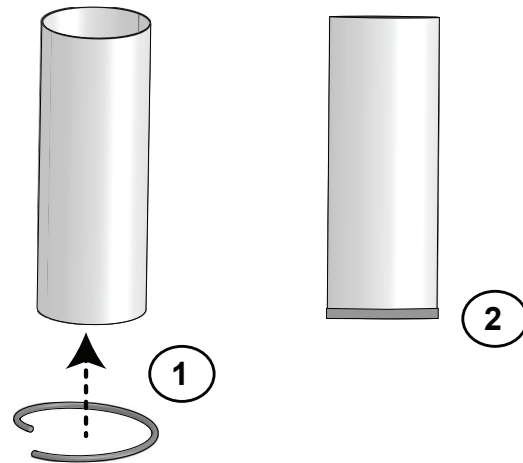
Si un clapet de tirage est installé, il ne doit en aucun cas

bloquer l'intégralité du conduit de fumées. Le clapet doit être facile à utiliser et prévoir un passage libre d'au moins 20 cm² ou 3% de la surface de section (la plus forte des 2 valeurs). La position du clapet doit être aisément repérable. Si un régulateur de tirage est installé, cette obligation ne section de passage libre ne s'applique pas, mais le régulateur doit être facilement accessible pour son nettoyage.

Montage du conduit de fumées

En standard, le produit est préparé en usine pour une sortie par le haut.

Fig. 12 Montage du conduit de fumée



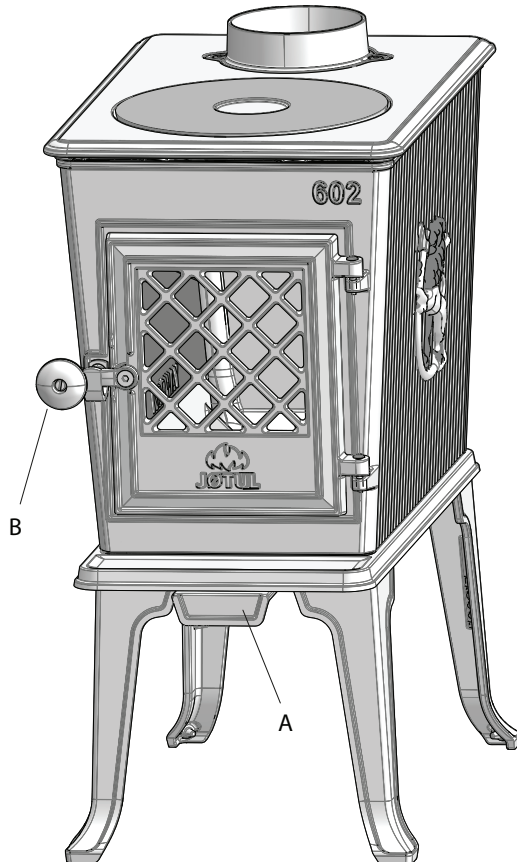
1. Retirez le papier de protection du joint fourni et fixez-le à l'extérieur du conduit de fumée
2. Insérez le conduit de fumée dans la sortie de fumée. Le conduit de fumée est monté de la même manière pour les sorties supérieure et arrière.

FRANCAIS

4.6 Test de fonctionnement

Une fois le poêle installé, vérifiez toujours les poignées de commande. Les éléments mobiles doivent se déplacer librement.

Fig. 13 Le poêle Jøtul F 602 ECO comporte les commandes suivantes:

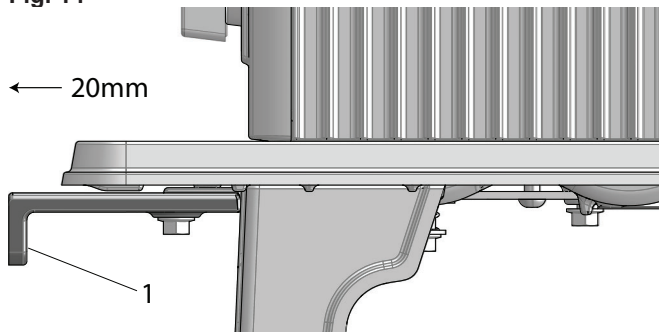


Registre d'air frais et d'allumage (A). Se règle dans les deux sens dans le sens horizontal (voir fig. 14-16)

Poignée de porte (B). S'ouvre en soulevant la poignée et en tirant.

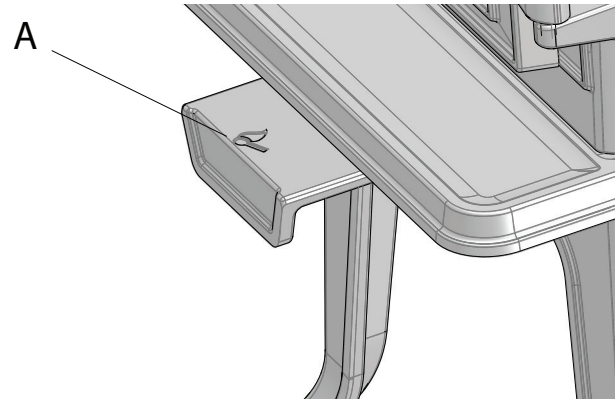
Réglage du registre

Fig. 14



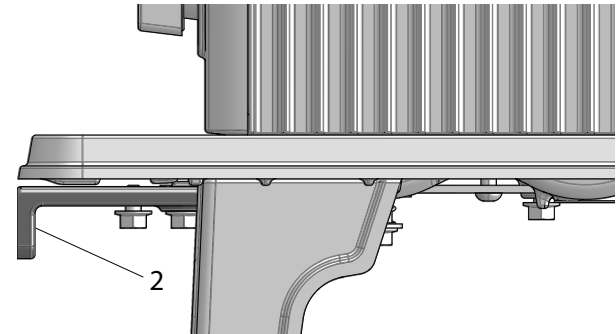
1. Sorti complètement : Ouvert (utilisé pendant l'allumage)

Fig. 14b



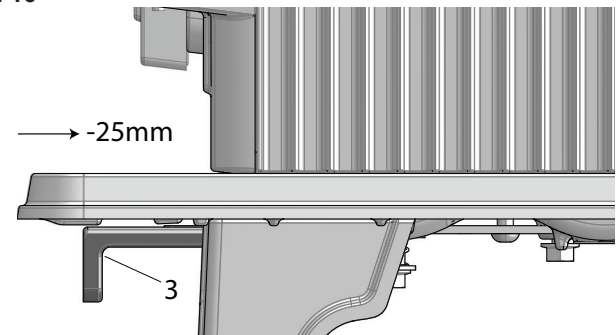
Lorsque le symbole d'allumette (A) est affiché, le registre est ouvert pour l'allumage.

Fig. 15



2. Bord à bord avec le cendrier : air max. après allumage

Fig. 16



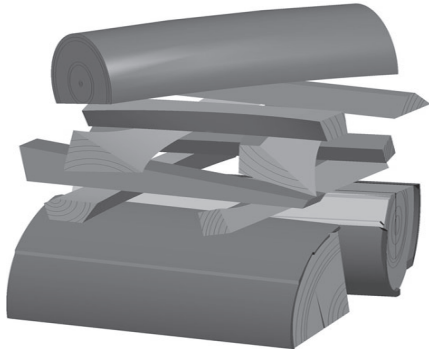
3. Rentré. Fermé

4.7 Allumage

- Ouvrir l'entrée d'air supérieure et l'entrée d'air inférieure en les tirant complètement. Conseil pratique : Favorisez l'allumage du feu en laissant la porte entrouverte (A). (Utiliser des gants car la poignée risque d'être chaude).
- Placer deux bûches de taille moyenne à l'entrée et au fond de la plaque de source. **N.B.** : pour éviter que de la suie ne se dépose sur le verre, veillez à ce que les bûches ne touchent pas le verre lorsqu'elles sont placées dans l'appareil (fig. 16).
- Froissez quelques feuilles de papier journal, jamais de papier glacé (ou utilisez de l'écorce de bouleau) entre ces deux bûches, entrecroisez du bois d'allumage sur ce papier, puis mettez-y le feu.
- Augmentez graduellement la taille du feu.

- Enfin, placez une bûche de taille moyenne sur le dessus de la pile.
- Réglez ensuite la vitesse de combustion sur la capacité de chauffage souhaitée en ajustant l'entrée d'air supérieure.
- Fermez la porte. La porte doit toujours être fermée lorsque le feu est allumé.

Fig. 17



Ajouter du bois

Alimentez le poêle régulièrement mais n'ajoutez que de petites quantités de combustible à la fois. Si la combustion est trop vive, la contrainte thermique dans la cheminée risque de devenir excessive. Faites preuve de modération. Évitez les feux couvants car ils sont les plus polluants. Le feu est parfait lorsque le bois brûle bien et que la fumée qui sort de la cheminée est pratiquement invisible. La position idéale est l'entrée d'air de combustion ouverte à moitié.

Risque de surchauffe

Ne surchauffez jamais le poêle.

La surchauffe est provoquée par un excès de combustible et/ou d'air qui donne lieu à un dégagement de chaleur trop important. Lorsque le poêle devient incandescent par endroits, c'est un signe incontestable de surchauffe. Si le cas se produit, réduisez immédiatement l'apport d'air frais. En cas de surchauffe, la garantie ne pourrait pas être assurée.

Si vous pensez que la cheminée tire mal (tirage excessif ou insuffisant), contactez un spécialiste. Pour plus de détails, reportez-vous à «**4.0 Installation**» (**Cheminée et conduit d'évacuation**).

Condensation

Il est possible de constater l'apparition de condensation dans la chambre de combustion et ou le conduit des fumées. Cela peut se produire suite à la combustion d'un bois humide ou bien à une différence de température importante entre le foyer/conduit et leur environnement.

Un écoulement de condensation prend la forme d'un liquide noir. Cet écoulement doit être nettoyé sans attendre pour éviter toute coloration du foyer, du sol, des murs ou des meubles sur lesquels le liquide aurait pu couler. Il est important d'avoir une bonne combustion (feu vif) pour éviter toute condensation (La combustion dégradée créée par la fermeture des arrivées d'air lorsque la combustion n'est pas terminée est à proscrire).

Retrait des cendres

- N'enlevez les cendres que lorsque le poêle est froid.
- Retirez les cendres à l'aide d'une pelle, mais laissez toujours un peu de cendre au fond de la chambre de combustion comme couche isolante protectrice.

Les cendres doivent être placées à l'extérieur dans un récipient en métal.

5.0 Utilisation au quotidien

Odeurs perceptibles lors de la première utilisation du poêle

Lors de la première utilisation, le poêle peut émettre un gaz irritant et dégager des odeurs désagréables. Ceci se produit lorsque la peinture sèche. Ce gaz n'est pas toxique, mais il est recommandé de bien aérer la pièce. Maintenir une température élevée dans le poêle jusqu'à qu'aucun gaz, fumée ou odeur ne puisse être détecté.

Laisser la porte ouverte pendant les premières minutes pour faire sécher la peinture et éviter le décollement du joint de porte

Utilisation

Conseils de chauffage

Remarque : Il est recommandé d'entrer les bûches qui ont été stockées à l'extérieur ou dans une pièce froide 24 heures avant de les brûler afin de les amener à température ambiante.

Il existe différentes manières de chauffer le poêle, mais soyez toujours attentif à ce que vous y mettez. Voir le chapitre intitulé «**La qualité du bois**».

La qualité du bois

Par bois de qualité, nous entendons les essences les plus courantes telles que bouleau, épicéa et pin ou hêtre, chêne, érable. Suivant les pays.

Les bûches doivent sécher afin que leur teneur en eau ne dépasse pas 20 %.

Pour cela, il convient de couper le bois à la fin de l'hiver. Fendez-les et empilez-les pour permettre à l'air de bien circuler. Recouvrez les piles afin de protéger les bûches de la pluie. Entrez les bûches dans la maison au début de l'automne en vue de leur utilisation pendant l'hiver qui suit.

Soyez particulièrement attentif à ne jamais brûler les matériaux suivants dans le poêle :

- Les déchets ménagers, les sacs en plastique, etc.
- Le bois peint ou imprégné (très toxique).
- Le bois contreplaqué
- Le bois qui est resté dans l'eau
- Les chutes de menuiserie dont le bois est trop sec.
- Le bois de récupération de chantier

Ceux-ci risquent d'endommager l'appareil et ce sont aussi des polluants.

Si vous utilisez des bûches de bois compressé, réduisez la quantité de moitié par rapport au bois en bûches.

Remarque : N'employez jamais de l'essence, de la paraffine, de l'alcool (méthyllique) ou tout liquide similaire pour allumer le feu. Vous risqueriez de vous blesser sérieusement et d'endommager l'appareil.

FRANCAIS

Consommation de bois

Le Jøtul F 602 ECO a une puissance nominale d'env. **5 kW**. Utilisation de bois avec puissance thermique nominale : Environ **1,5 kg/h**. La dimension des bûches devrait être de :

Pour le bois d'allumage:

Longueur: 25-33 cm

Diamètre: 5 cm

Quantité par flambée: 5-8 pièces

Pour le bois de chauffage (fendu) :

Longueur: Ca 19 - 33 cm

Diamètre: Env. 4-7 cm

Fréquence d'approvisionnement en bois: Env. 50 minutes

Taille du feu: 1.4 kg (efficacité nominale)

Nombre de bûches à chaque réapprovisionnement: 2

Les résultats de test donnés ont été obtenus en chargeant 2 bûches de 19 cm, poids total de 1,4 kg. Le registre est réglé sur environ 40 % d'air, à environ 10 mm du bord.

5.1 Utilisation sous différentes conditions météorologiques

L'effet du vent sur la cheminée peut, selon sa violence, influencer beaucoup sur le fonctionnement du poêle et nécessiter une régulation de l'arrivée d'air pour obtenir une bonne combustion. Il peut également être judicieux de monter un clapet sur le tuyau de manière à pouvoir réguler ainsi le tirage de la cheminée en fonction des sollicitations changeantes du vent.

Le brouillard peut aussi avoir une grande influence sur le tirage de la cheminée nécessitant d'autres réglages de l'arrivée d'air frais pour assurer une bonne combustion.

5.2 Cheminée

Le conduit de cheminée est un élément essentiel au bon fonctionnement d'un chauffage à bois.

Le tirage de la cheminée génère une dépression dans le poêle. Cette dépression évacue la fumée hors du poêle et, à travers le registre d'air de combustion, aspire de l'air qui alimente le processus de combustion.

L'air de combustion vient aussi balayer la vitre et y empêche ainsi le dépôt de suie.

Le tirage de la cheminée est généré par la différence de température entre l'intérieur de la cheminée et l'extérieur de la maison. Plus cette différence de température est élevée, meilleur est le tirage de la cheminée. Il est donc important que la cheminée atteigne sa température de service rapidement avant que soient réduites l'entrée d'air et la combustion dans le poêle (une cheminée en maçonnerie met plus de temps pour atteindre sa température de service qu'une cheminée en acier isolé).

Les jours où les conditions météorologiques et le vent sont défavorables, il est donc particulièrement important que la température de service de la cheminée soit atteinte le plus vite possible. Les flammes doivent vite être attisées. Conseil pratique : Fendez des bûchettes de bois particulièrement fines ; utilisez des blocs d'allumage supplémentaires etc.

Remarque : Après un arrêt prolongé de l'utilisation du poêle, il importe de vérifier que le conduit de cheminée n'est pas plus ou moins bouché.

5.3 Instructions générales

Attention! Certaines parties du poêle, notamment les surfaces extérieures, sont brûlantes lorsqu'il chauffe. Soyez prudents !

- Portez un gant lors de la manipulation du poêle
- Ne videz jamais de cendre dans un récipient en matériau combustible. Bien longtemps après la combustion, la cendre peut encore contenir des braises
- Gardez la chambre de combustion fermée, sauf pendant l'allumage, le rechargement et l'évacuation des résidus, afin d'éviter toute fuite de fumée
- Maintenez les orifices d'entrée et de sortie d'air dégagés de tout blocage accidentel pendant l'utilisation du poêle
- Quand le poêle-cheminée ne fonctionne pas, le clapet peut être fermé afin d'éviter un courant d'air à travers le poêle
- Après des arrêts d'utilisation prolongés, vérifiez que les voies d'évacuation de la fumée sont bien dégagées avant de rallumer le poêle
- Nous vous conseillons de ne pas utiliser le poêle pendant la nuit. Le poêle n'est pas adapté à cette fin

NOTE: Ne jamais mettre des matériaux inflammables dans la zone de rayonnement du poêle!

6.0 Entretien

6.1 Nettoyage de la vitre

Le produit est équipé d'un système d'entrée d'air par le haut. L'air est aspiré au-dessus du foyer et circule le long de la vitre.

L'accumulation de suie sur la vitre est toutefois inévitable, la quantité de dépôts dépendant du taux d'humidité du combustible, des conditions de tirage et du réglage de l'entrée d'air supérieure. Une grande partie de cette suie est normalement consommée lorsque l'entrée d'air est ouverte à son maximum et en présence d'un feu vif dans le poêle.

Un bon conseil ! Pour les opérations courantes de nettoyage, humidifier un essuie-tout ou du papier journal ou une simple éponge à l'eau chaude. Frotter la vitre avec ce moyen puis rincer à l'eau claire et essuyer. Pour les tâches persistantes, il est recommandé d'utiliser un nettoyant à vitres. Ne jamais projeter le produit directement sur la vitre : il risque de détériorer les fixations de la vitre et le joint, ce qui peut entraîner la cassure de la vitre.

6.2 Nettoyage et élimination des dépôts de suie

Pendant l'utilisation, de la suie peut se déposer sur les surfaces internes du foyer. La suie est un bon isolant. Elle réduit donc la puissance thermique du foyer. Utiliser une brosse métallique pour retirer tout dépôt de suie dans le produit, sauf sur les plaques en vermiculite !

Laisser brûler vivement afin d'éviter tout dépôt de goudron et d'eau dans le poêle.

Un nettoyage annuel de l'intérieur du foyer est requis pour optimiser le rendement du produit. Cette opération peut être réalisée lors du ramonage des conduits et de la cheminée.

6.3 Ramonage des conduits d'évacuation vers la cheminée

Sur certains foyers autonomes, il est possible de soulever le couvercle et de ramoner le conduit par le haut.

Sinon, le ramonage des conduits doit s'effectuer à partir de la trappe de ramonage ou depuis l'intérieur du produit, auquel le déflecteur doit être retiré. Renseignez-vous auprès de votre distributeur Jøtul sur la réglementation à ce sujet.

6.4 Contrôle du poêle

Jøtul recommande que l'utilisateur contrôle personnellement et soigneusement le foyer suite à une opération de ramonage/nettoyage. Vérifier l'absence de fissures sur toutes les surfaces visibles. Vérifier également l'état et la bonne installation de tous les joints. Tout joint montrant des signes d'usure, de déformation ou de dureté doit être remplacé.

Nettoyer soigneusement les gorges de joint, appliquer de la colle céramique (disponible auprès des distributeurs Jøtul), puis insérer correctement le joint sans tirer dessus. Le séchage est rapide.

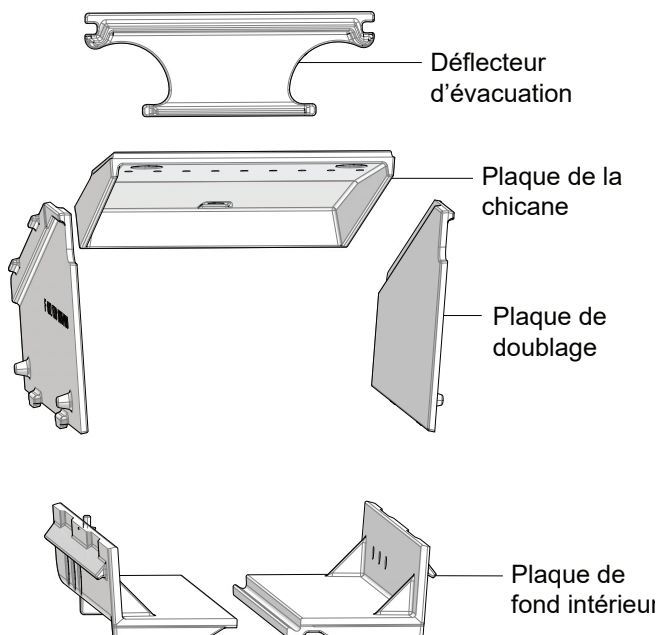
6.5 Entretien de la surface externe

La couleur des produits peints peut se ternir après plusieurs années d'utilisation. Avant d'appliquer une nouvelle couche de peinture, brosser et laver la surface peinte pour en éliminer toutes les particules.

7.0 Maintenance

Toute modification non autorisée du produit est interdite. Utilisez uniquement des pièces de rechange d'origine.

Fig. 18

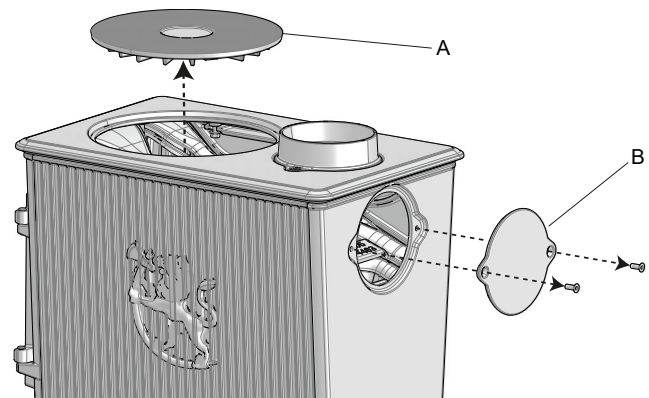


7.1 Remplacement des pièces du poêle

Utilisez les outils avec précaution.

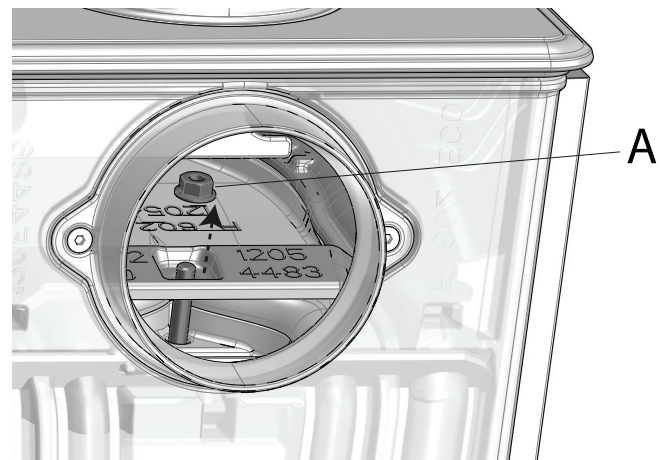
Remplacement de la plaque du déflecteur

Fig. 19 Retrait de la plaque chauffante et du couvercle de la sortie de fumée



1. Soulevez la plaque chauffante (A)
2. Dévisser le couvercle de sortie de fumée (B)

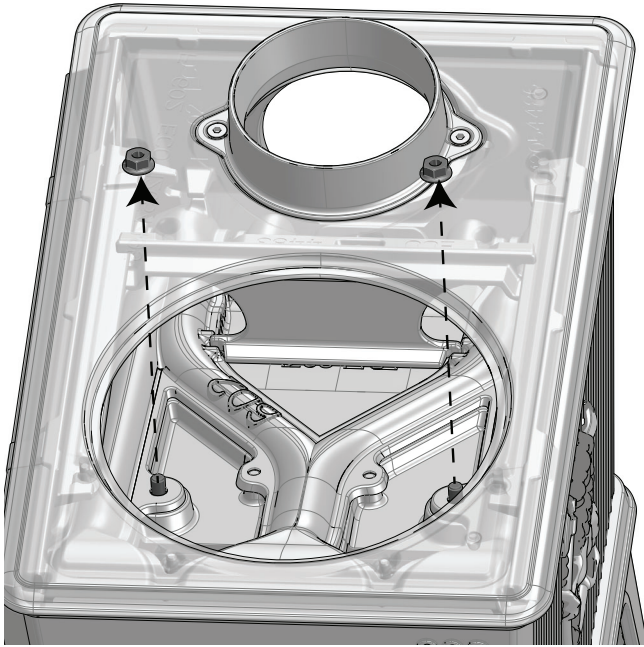
Fig. 20 Desserrer les écrous sur le déflecteur



3. Desserrer l'écrou (A) en haut / à l'arrière du déflecteur(A) en haut / à l'arrière du déflecteur

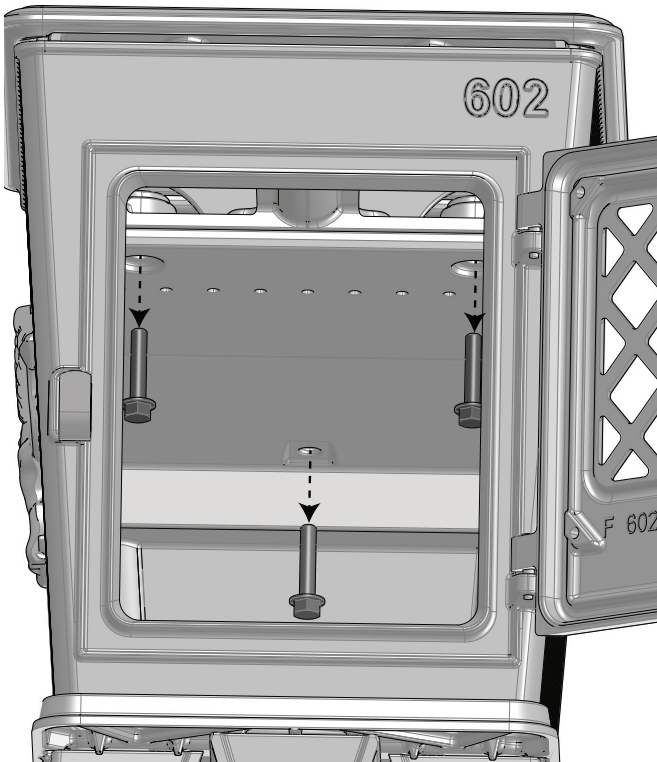
FRANCAIS

Fig. 21 Desserrer les écrous sur le déflecteur



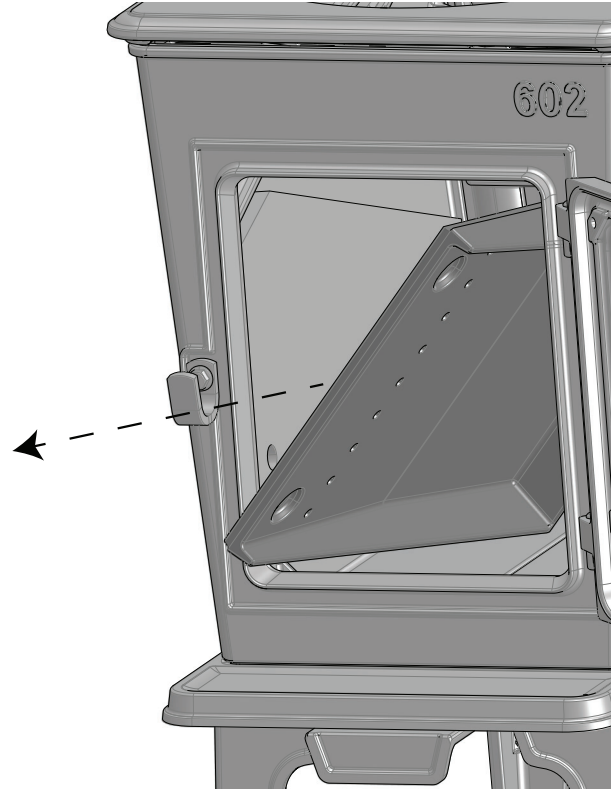
4. Desserrer les deux écrous en haut du déflecteur
5. Retirer les plaques de doublage gauche et droite (voir fig. 25).

Fig. 22 Desserrer les vis du déflecteur



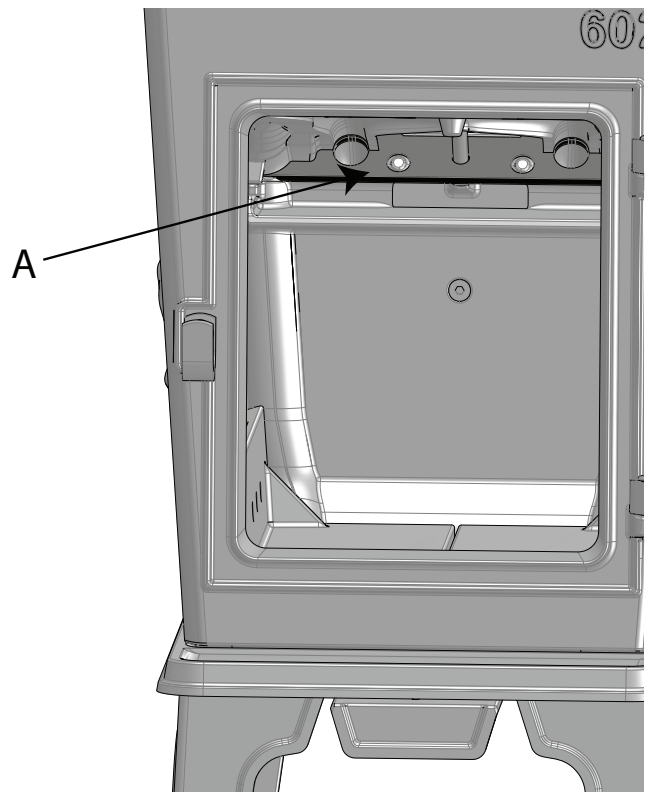
6. Desserrez les trois vis qui fixent le déflecteur en place.

Fig. 23 Retrait du déflecteur



7. Inclinez le déflecteur pour le retirer du poêle.
8. Lors du remontage, suivez la même procédure dans l'ordre inverse. (voir d'abord la fig. 24)

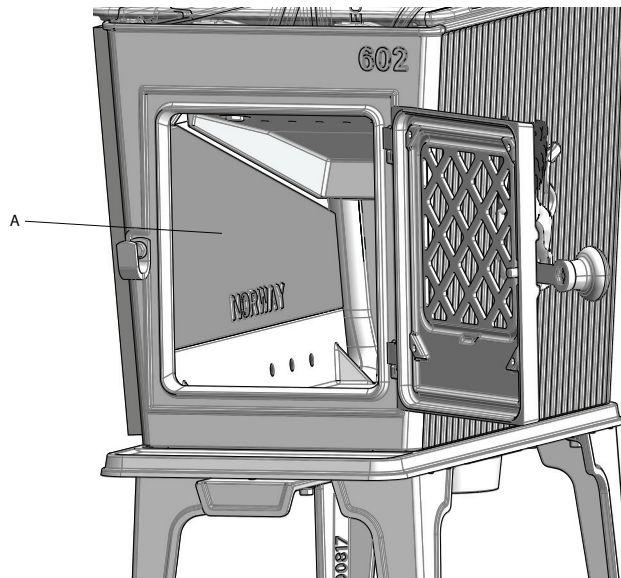
Fig. 24 Remettez le joint en place contre la plaque arrière



9. Le joint (A) se brise lors du retrait de la plaque de déflecteur. Celui-ci doit être remplacé par du mastic / de la pâte de fibres lors du remontage d'un nouveau déflecteur.

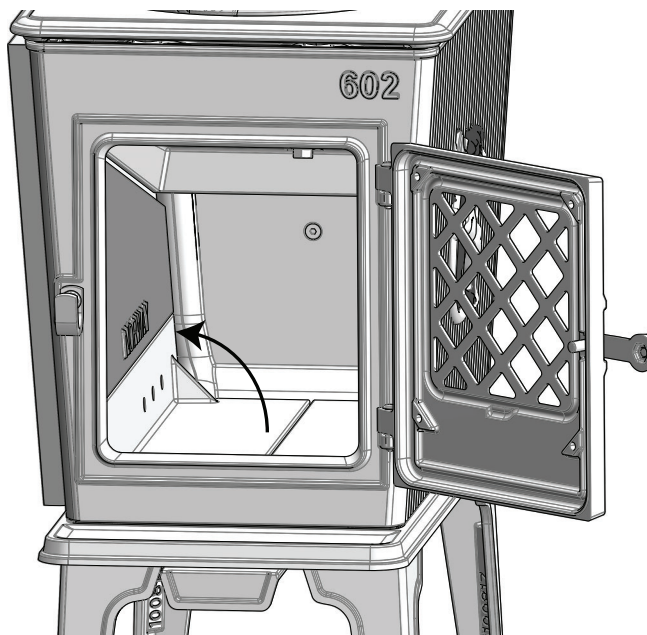
7.2 Remplacement de la plaque de doublage / de la sole foyère

Fig. 25 Remplacement des plaques de doublage



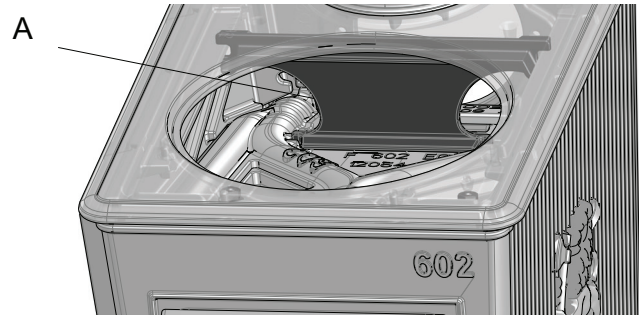
1. Retirez la plaque de doublage (A) en la soulevant et en la basculant hors du poêle. Cette opération est effectuée des deux côtés de la chambre de combustion. Lors du remontage, suivez la même procédure dans l'ordre inverse.

Fig. 26 Remplacement du fond intérieur



1. Relevez le fond inférieur gauche, puis faites-le basculer hors du poêle. Faites de même avec le fond intérieur droit. Lors du remontage, suivez la même procédure dans l'ordre inverse.

Fig. 27 Remplacement du déflecteur d'évacuation



1. Retirez la plaque chauffante (voir fig. 19).
2. Soulevez le déflecteur d'évacuation (A) de la fente et inclinez-le pour le sortir.
3. Lors du remontage, suivez la même procédure dans l'ordre inverse..

8.0 Dysfonctionnements – Causes et dépannages

Tirage faible

Vérifier que la longueur de la cheminée est conforme aux législations et aux réglementations nationales en vigueur. (Voir aussi «2.0 Données techniques» et «4.0 Installation» (Cheminées et conduits) dans le manuel d'installation à ce sujet.)

Vérifier que la section minimale de la cheminée est conforme aux spécifications de la section «2.0 Données techniques» du manuel d'installation.

Vérifier que rien n'empêche l'évacuation des fumées : branches, arbres, etc.

Pour remédier à tout tirage semblant faible ou excessif, demander à un professionnel de vérifier et éventuellement de redimensionner la cheminée.

Le feu s'éteuffe rapidement

- Vérifier que le bois de chauffage est suffisamment sec.
- Vérifier l'absence d'aspiration dans la pièce. Arrêter toute ventilation mécanique et ouvrir une fenêtre à proximité du foyer.
- Vérifier que l'entrée d'air est ouverte.
- Vérifier que le conduit n'est pas obstrué.

Important dépôt de suie sur la vitre

L'accumulation de suie sur la vitre est inévitable, mais la quantité de dépôt varie en fonction :

- Du taux d'humidité du combustible.
- Des conditions locales de tirage.
- Du réglage de l'entrée d'air.

Une grande partie de cette suie est normalement consommée lorsque l'entrée d'air est ouverte à son maximum et en présence d'un feu vif dans le poêle pendant une dizaine de minutes.

FRANCAIS

9.0 Équipements disponibles en option

9.1 Couverture d'air frais

Réf. cat.10055054

9.2 Écran thermique

Réf. cat. 10054507

9.3 Plaque chauffante Ø125

Réf. cat. 51054941

9.4 Adaptateur pour d'air frais

Réf. cat.51054938

9.5 Kit d'amenée d'air frais Ø80

Artikelnummer 51047509

10.0 Recyclage

10.1 Recyclage de l'emballage

- Votre poêle est livré avec les emballages suivants :
- Une palette en bois qui peut être sciée et brûlée dans le poêle.
- Des emballages en carton qui doivent être déposés dans une station de recyclage près de chez vous.
- Des sacs en plastique qui doivent être déposés dans une station de recyclage près de chez vous, ou dans poubelle.

10.2 Recyclage du poêle

Le poêle est composé de :

- d'éléments métalliques qui doivent être déposés dans une station de recyclage près de chez vous.
- de verre qui doit être éliminé comme des déchets dangereux. Le verre dans le poêle ne doit pas être placé dans un conteneur de séparation à la source standard.
- de panneaux en vermiculite qui peuvent être déposés dans des conteneurs de déchets classiques.

11.0 Conditions de garantie

Applicables à partir du 1^{er} Septembre 2016 à tout produit Jøtul acheté auprès du réseau de revendeurs agréés Jøtul.

Félicitations pour votre achat d'un appareil Jøtul !

Depuis 1853, Jøtul est un fabricant renommé de poêles, cheminées et inserts durables et d'excellente qualité. La grande qualité de nos produits nous permet d'offrir à nos clients une garantie longue durée, et ce, sans frais supplémentaires.

Notre garantie couvre :

En plus de la garantie légale en vigueur, Jøtul France offre une garantie commerciale étendue à :

- 25 ans à compter de l'achat de l'appareil sur toutes les pièces en fonte des appareils à bûches, si vous enregistrez votre appareil sur le site www.jotul.com/fr dans les 3 mois

suyant votre achat. Nous vous conseillons d'imprimer et de conserver votre justificatif d'enregistrement de garantie avec votre preuve d'achat. A défaut d'enregistrement, la garantie commerciale sera de 5 ans à compter de l'achat de l'appareil sur ces mêmes pièces.

- 5 ans sur les pièces en acier des appareils à bûches.
- 5 ans sur le corps de chauffe des appareils à granulés.

La garantie s'applique uniquement si l'appareil a été installé par un revendeur agréé du réseau Jøtul, conformément à la réglementation en vigueur et aux instructions d'installation et d'utilisation décrites dans le manuel de l'appareil.

Les appareils réparés ou les appareils de remplacement, ne donnent en aucun cas droit à une prolongation de garantie. Ils sont donc garantis pour la durée restante de la garantie initiale.

Notre garantie commerciale ne couvre pas :

- Les pièces d'usure, telles que les composants de la chambre de combustion (déflecteurs, joints, plaques de doublage, etc.), car ces pièces s'usent avec le temps lors d'une utilisation normale,
- Les vitres, la peinture, l'émail, les pierres naturelles, les éléments en béton et tous les revêtements décoratifs,
- Les dommages liés à une mauvaise utilisation : combustible inapproprié ou de mauvaise qualité, surchauffe, défaut d'entretien, non respect des instructions d'utilisation décrites dans le manuel de l'appareil, etc,
- Les dommages liés au transport ou à une mauvaise installation de l'appareil,
- Les cas impliquant des modifications de l'appareil sans le consentement de Jøtul ou l'utilisation de pièces qui ne sont pas d'origine,
- Les frais annexes (frais de port, déplacement, main d'œuvre, etc...), ni les dommages indirects.

La demande de garantie doit être effectuée auprès de votre revendeur agréé du réseau Jøtul, dans les 14 jours suivant la survenance du défaut. Voir liste de nos revendeurs sur notre site internet. Elle doit être accompagnée de votre preuve d'achat de l'appareil (facture) et de votre justificatif d'enregistrement de garantie.

Si Jøtul se trouve dans l'incapacité d'assumer la prise en charge sous garantie de votre appareil, Jøtul remplacera gratuitement votre produit par un appareil de puissance similaire.

Cette garantie est exclusive de toute autre garantie et prévaut sur toute autre garantie accordée par toute autre société du groupe Jøtul.

ES - Instrucciones para montaje e instalación

Índice

2.0 Datos Técnicos.....	44
3.0 Seguridad.....	48
4.0 Instalación.....	52
5.0 Uso diario.....	57
6.0 Mantenimiento.....	58
7.0 Conservación.....	59
8.0 Problemas de funcionamiento: solución de problemas.....	62
9.0 Equipo opcional.....	62
10.0 Reciclaje.....	62
11.0 Términos de la Garantía.....	63

2.0 Datos Técnicos

Instalación

- El propietario es responsable de asegurar que la instalación y el montaje cumplan con las normativas de construcción locales, europeas y nacionales, así como con la información suministrada en este manual
- Al instalar cualquier tipo de chimenea o estufa, en algunos países debe informarse a las autoridades locales de vivienda e inmuebles. Además puede ser obligatorio que su instalación sea inspeccionada y aprobada por un deshollinador local, antes de su puesta en marcha
- Para garantizar el mejor funcionamiento y seguridad posible de la instalación, le recomendamos que acuda a un instalador profesional. Su distribuidor de Jøtul le recomendará un instalador cualificado en su zona. Para obtener más información sobre los distribuidores de Jøtul, por favor visite www.jotul.es

Seguridad

Todo cambio hecho en el producto por el distribuidor, instalador o usuario podría afectar negativamente a su funcionamiento o seguridad. Lo mismo se aplica a los accesorios o equipamiento extra no suministrados por Jøtul AS, como podría ser el caso de desmontar o quitar piezas necesarias para el funcionamiento y seguridad de la estufa.



La estufa de leña se fabrica en consonancia con la homologación tipo del producto, estando incluidas dentro de dicha homologación las instrucciones de montaje y empleo del mismo. Lea y siga atentamente las instrucciones de funcionamiento del usuario.

Encontrará la Declaración DoP en www.jotul.es

Datos técnicos

Probado de acuerdo con la norma EN 16510		
	Clasificación del aparato	Type BE
P_{nom}	Potencia calorífica nominal	4,9 kW
η_{nom}	Eficiencia a potencia calorífica nominal	81 %
η_s	Eficiencia energética estacional de calefacción de espacios a potencia nominal	71 %
EEI	Índice de eficiencia energética	107
	Clase de eficiencia energética	A+
	Combustible	Madera*
	Longitud máx. de madera	400 mm
	Consumo de combustible	1,42 kg/h
	Cantidad necesaria para encender	1,19 kg
	Cantidad de leña max.	2 kg
CO_{nom}	Emisiones de CO al 13% de O ₂ al rendimiento nominal	0,06 %
		1133 mg/Nm ³
NO_{xnom}	NO _x al 13% de O ₂ al rendimiento nominal	88 mg/Nm ³
OGC_{nom}	OGC al 13% de O ₂ al rendimiento nominal	46 mg/Nm ³
PM_{nom}	Polvo al 13% de O ₂ al rendimiento nominal	23 mg/Nm ³
P_{nom}	Presión negativa a potencia calorífica nominal	12 Pa
	Presión negativa recomendada en la pieza de conexión	18-20 Pa
	Suministro de aire de combustion	10,6 m ³ /h
T_{snom}	Temperatura/chimenea a potencia calorífica nominal	311 °C
T class	Designación de chimenea	T400 G
$\phi_{f.g.nom}$	Cantidad de humo a potencia calorífica nominal	4,6 g/sec
V_h	Perte d'air statique	NPD m ³ /h
	Fugas antes de la prueba a una presión de 5 Pa (1013 mbar, 27 °C)	3,17 Nm ³ /h
	Fugas antes de la prueba a una presión de 10 Pa (1013 mbar, 27 °C)	5,74 Nm ³ /h
	Fugas antes de la prueba a una presión de 15 Pa (1013 mbar, 27 °C)	7,53 Nm ³ /h
CON/INT	Operación continua (CON)/Operación intermitente (INT)	INT**
	Clasificación de reacción al fuego	A1
E, f	Tensión de alimentación, frecuencia	- V

* Utilice solo los combustibles recomendados – designación I.

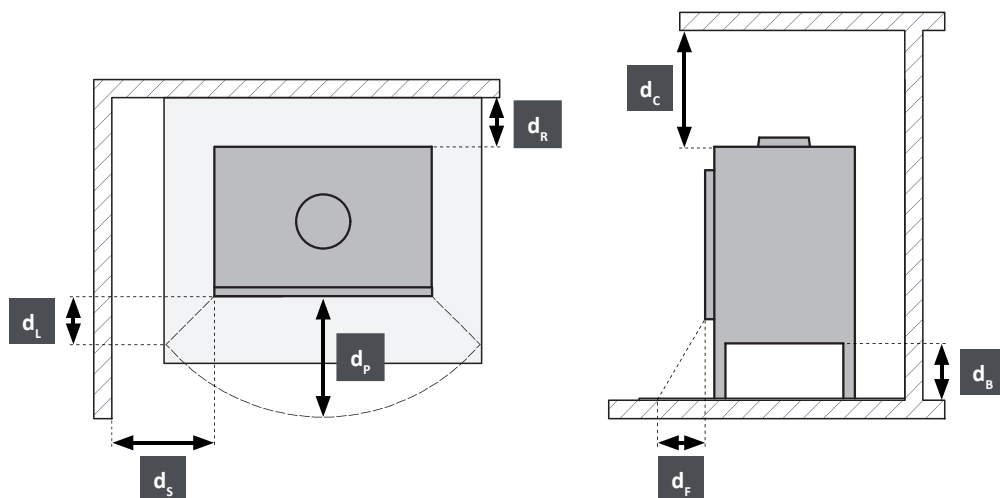
** Funcionamiento intermitente se refiere al uso normal de una estufa; añada más combustible cuando el fuego se haya reducido a brasas.

Datos técnicos

Datos técnicos básicos		
Materiales		Acero inoxidable Hierro fundido Piedra ceramica/vermiculita Vidrio
Tratamiento de las superficies		Senotherm
Salida de humos		arriba / detrás
d_{out}	Diámetro int. /pieza de conexión para conducto por fuera	125 mm
	Pieza de conexión de la aire fresco	80 mm
L	Dimensiones totales (largo)	540 mm
H	Dimensiones totales (alto)	637 mm
W	Dimensiones totales (ancho)	320 mm
m	Peso	86 kg
m_{chim}	Carga máxima de chimenea que puede soportar la estufa	120 kg

Distancia mínima a materiales combustibles		
d_R	Trasera (sección inicial sin aislamiento / aislada)	300/250 mm
d_S	Laterales	500*** mm
d_C	Techo	750 mm
d_P	Delantera	550 mm
d_F	Frente a la parte inferior delantera área de radiación	0 mm
d_L	Frente a la parte lateral delantera área de radiación	0 mm
d_B	Debajo del fondo sin considerar los pies	252 mm
d_{non}	Distancias mínimas a paredes no combustibles.	50 mm
	Esquina (sección inicial sin aislamiento / aislada)	350/300*** mm
	El código del tubo de humo aislado	T400-N1-D-Vm-L50050-G100

*** Uso de accesorios: consulte los planos de instalación



Placa de identificación

Todas las estufas de leña de Jøtul incorporan una placa de identificación que identifican los estándares de aprobación y la distancia que se debe mantener con los materiales inflamables.

La placa de características se encuentra en la parte trasera de la estufa.

Este número de serie siempre debe indicarse al ponerse en contacto con el distribuidor o con Jøtul.

Placas de identificación

1 → **JØTUL F 602 ECO**

2 → **Harmonised standard:** EN 16510-2-1:2022

3 → **Approved by:** DTI • NB no. 1235

4 → **Classification of appliance:** Type BE

5 → **Recommended fuels (designation):** Wood logs (I)

6 → **Manufacturer:** Jøtul AS, POB 1411, N-1602 Fredrikstad, Norway

7 → **Declaration of Performance:** CPR-F602ECO-14072025

8 → **Intended use:** Space heating in residential buildings

P_{nom}	4,9	kW	Read instruction manual for further information
η_{nom}	81	%	
CO_{nom} (13% O₂)	1133	mg/m ³	
NO_{xnom} (13% O₂)	88	mg/m ³	
OGC_{nom} (13% O₂)	46	mg/m ³	
PM_{nom} (13% O₂)	23	mg/m ³	
p_{nom}	12	Pa	
d_R (rear)	300	mm	

10 → (points to the table above)

For distance to combustibles when using insulated flue pipe and/or additional accessories, refer to the instruction manual.

d_S (side)	500	mm
d_C (ceiling)	750	mm
d_P (front)	550	mm
d_F (floor in front)	0	mm
d_L (side radiation area)	0	mm
d_B (bottom)	252	mm

11 → (points to the table above)

12 → (points to the table above)

10067861-P00

13 → Lot no: 000000 2025 Pin:000

EXPLICACIÓN DE LA PLACA DE IDENTIFICACIÓN

- 1** Tipo y/o número de modelo o designación para permitir la identificación del aparato
- 2** Estándares aplicables
- 3** Nombre del centro de pruebas/ número de certificación
- 4** Clasificación del aparato
- 5** Combustibles recomendados
- 6** Nombre y dirección del fabricante
- 7** Número de documento DOP
- 8** Tabla de valores:

P_{nom} - potencia calorífica nominal

η_{nom} - eficiencia a potencia calorífica nominal

CO_{nom} - emisiones de CO al 13% de O₂ a potencia calorífica nominal

NO_{xnom} - NO_x al 13% de O₂ a potencia calorífica nominal

OGC_{nom} - OGC al 13% de O₂ a potencia calorífica nominal

PM_{nom} - polvo al 13% de O₂ a potencia calorífica nominal

p_{nom} - presión negativa a potencia nominal

Distancia mínima al material combustible:

d_R - trasera

d_S - laterales

d_C - techo

d_P - delantera

d_F - frente a la parte inferior delantera (radiación)

d_L - frente a la parte lateral delantera (radiación)

d_B - debajo del fondo (sin considerar los pies)

- 9** Marca CE de conformidad- Los dígitos indican el año de emisión del certificado
- 10** Especificaciones e instrucciones del producto
- 11** Residuos de aparatos eléctricos y electrónicos
- 12** Número de placa de identificación
- 13** Número de registro del producto

3.0 Seguridad

N. B.: para garantizar un rendimiento y seguridad óptimos, las estufas Jøtul deben ser instaladas por un instalador cualificado.

Cualquier modificación del producto por parte del distribuidor, instalador o usuario puede motivar que el producto y sus prestaciones de seguridad no funcionen del modo previsto. Esto también se aplica a la instalación de accesorios o extras opcionales suministrados por terceros. Lo mismo puede suceder si se desmontan o retiran componentes esenciales para el funcionamiento y la seguridad de la estufa.

En cualquier caso, el fabricante no se hará responsable del producto y el derecho a realizar una reclamación quedará anulado y sin validez.

3.1 Medidas de prevención de incendios

Existe un cierto elemento de riesgo cada vez que se usa la estufa. Por lo tanto, deben respetarse las siguientes instrucciones:

- Las distancias de seguridad mínimas al instalar y utilizar la chimenea se indican en la fig. 1. La distancia especificada a los materiales inflamables, se aplica a esta estufa. La estufa debe instalarse con una chimenea aprobada por CE. También debe observarse la distancia del tubo de salida de humos a los materiales combustibles.
- Asegúrese de que no haya muebles ni otros elementos inflamables demasiado cerca de la estufa. Los elementos inflamables no deberían estar a menos de **550 mm** de la estufa.
- Deje que el fuego se consuma por sí solo. Nunca apague las llamas con agua.
- La estufa se calienta cuando está encendida y puede causar quemaduras si se toca.
- Saque las cenizas solo con la estufa fría. Las cenizas pueden contener rescoldos calientes y, por lo tanto, deberán ponerse en un recipiente no inflamable.
- Las cenizas deberán sacarse al exterior o vaciarse en un lugar donde no supongan un riesgo de incendio.

Si se produce un incendio en la chimenea

- Cierre todas las trampillas y los respiraderos.
- Cierre la puerta de la estufa.
- Llame a los bomberos.
- Después de producirse un incendio, un experto deberá comprobar la estufa y la chimenea antes de utilizarse para asegurar que funciona correctamente.

3.2 Guante

Utilice guantes protectores al manipular el producto cuando esté caliente.

3.3 Suelo

Anclaje, base

Debe verificar que la base se adecue a la instalación de una estufa. Compruebe el peso especificado en «**2.0 Especificaciones técnicas**».

Se recomienda retirar el revestimiento del suelo que no vaya fijado a la superficie correspondiente («suelos flotantes»).

Protección de suelos de madera

El producto se puede colocar directamente sobre un suelo de

madera, protegido por una lámina de material no combustible (espesor mínimo recomendado: 0,9 mm)

Si el suelo de debajo de la estufa está revestido de un material combustible, como linóleo, alfombras, etc, recomendamos retirarlo.

Requisitos de protección del suelo combustible de delante de la estufa

La placa frontal debe cumplir la normativa legal nacional. Póngase en contacto con el organismo local regulador de la construcción para informarse sobre las restricciones y los requisitos de la instalación.

3.4 Paredes

- El producto debe colocarse de modo que sea posible limpiar la estufa, el conducto de humos y la salida de la chimenea.
- Asegúrese de que los muebles y otros enseres estén a una distancia de la estufa
- Asegúrese de que los muebles y otros enseres estén a una distancia de la estufa que evite que se sequen con el calor.

Distancia a paredes de material combustible - vea la fig. 1a
El horno debe instalarse con tubos de humos con aprobación CE

La distancia entre el tubo de humos y materiales combustibles tiene también que considerarse

Pared de materiales combustible protegidas con cortafuegos

Distancia a la pared de material combustible protegida con cortafuegos: vea la fig. 1b. La estufa puede usarse con un tubo de humos sin aislamiento respetando las distancias con la pared de material inflamable indicadas en la figura 1a. Las distancias con chimenea semi-aislada / conducto de humos blindado se muestran en la fig. 1a.

Requisitos del cortafuegos

El muro cortafuegos debe tener un grosor mínimo de **100 mm** y estar hecho de ladrillo, hormigón armado u hormigón ligero. También pueden utilizarse otros materiales y estructuras que cuenten con la documentación correcta.

Pared incombustible (hasta el final)

La chimenea se puede instalar con un mínimo de **100 mm** en la pared no combustible si la distancia de la chimenea a cualquier material combustible es de mínimo de **300 mm**.

Con materiales no combustibles se entiende materiales como ladrillo, gres, concreto, lana mineral, placas de silicato, etc. (materiales que no se queman). **Note!** Asegúrese de que los muebles y otros enseres estén a una distancia de la estufa que evite que se sequen con el calor.

3.5 Techo

Entre la estufa y el techo combustible debe mediar una distancia mínima de **700 mm**.

Fig. 1a

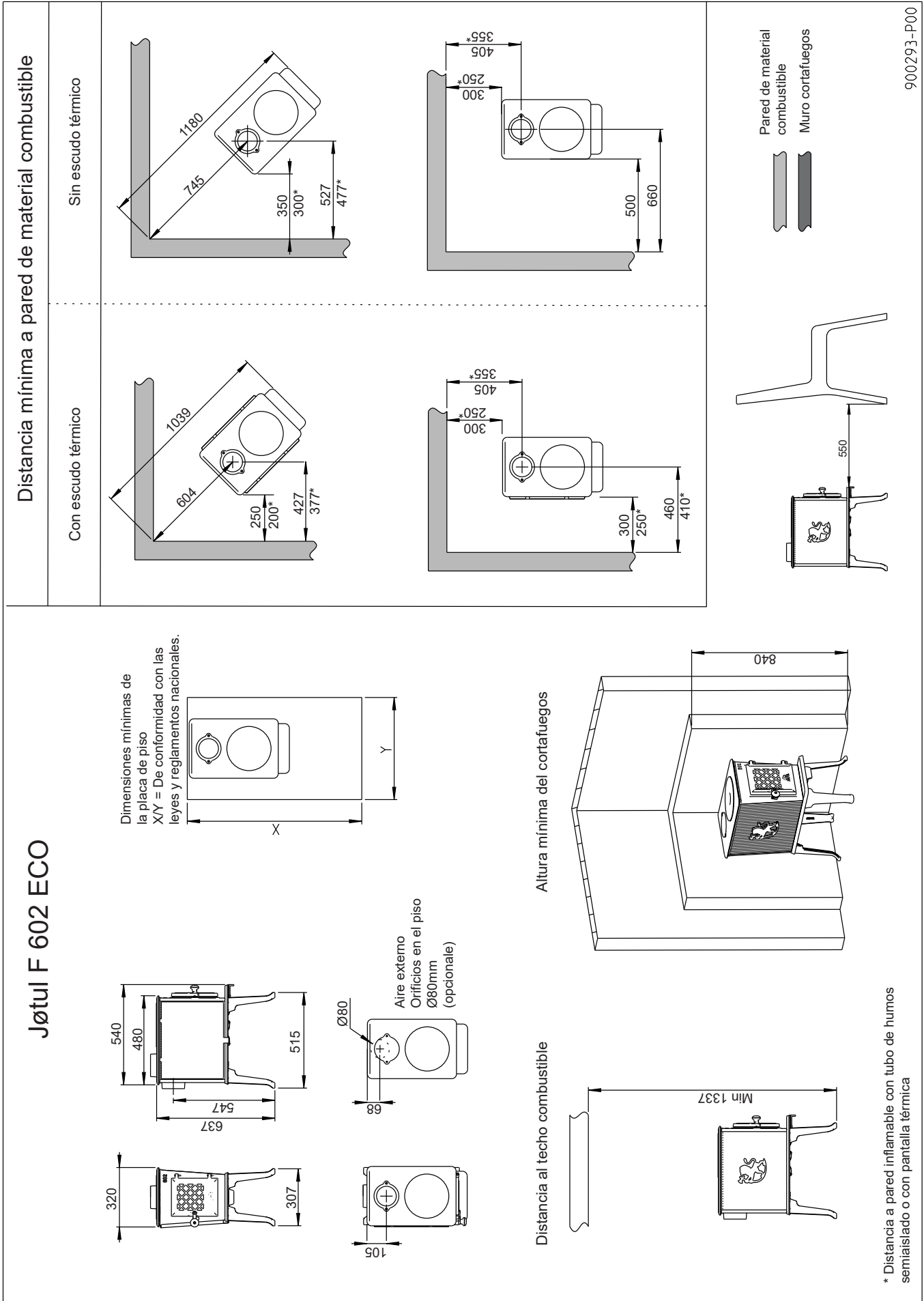


Fig. 1b

Distancia mínima a una pared de material no combustible

Sin escudo térmico

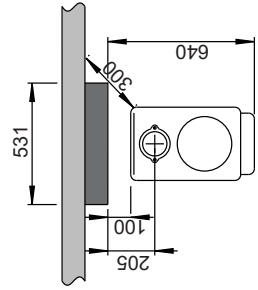
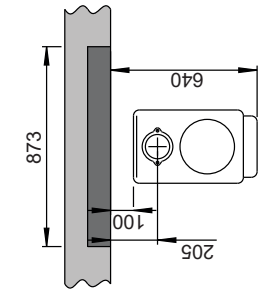
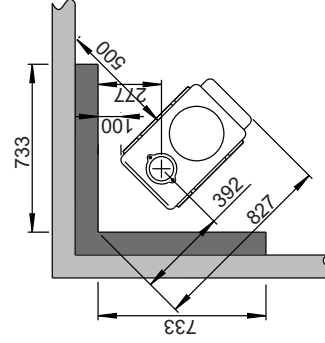
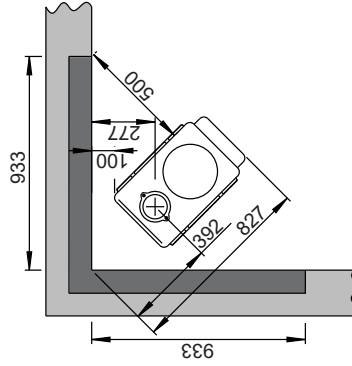
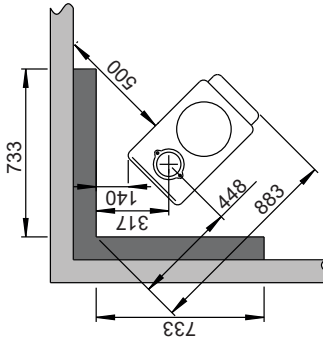
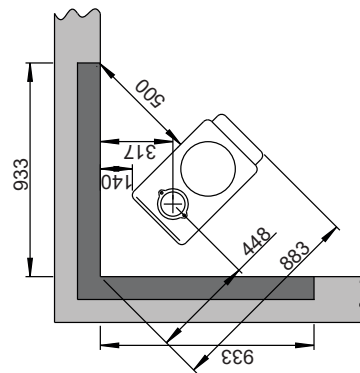
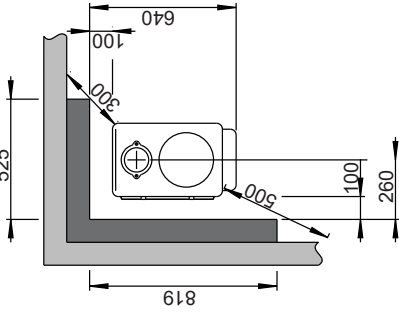
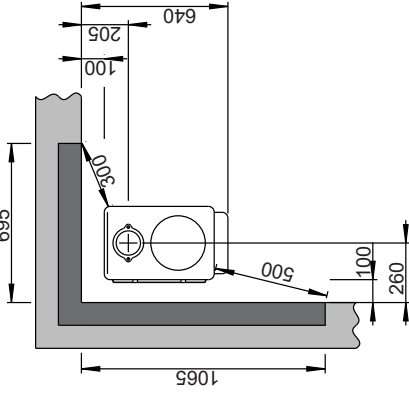
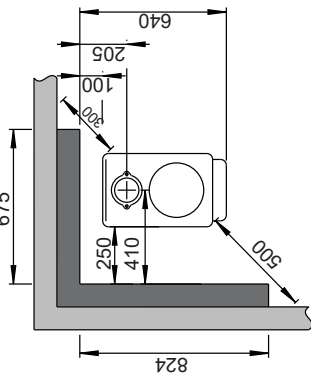
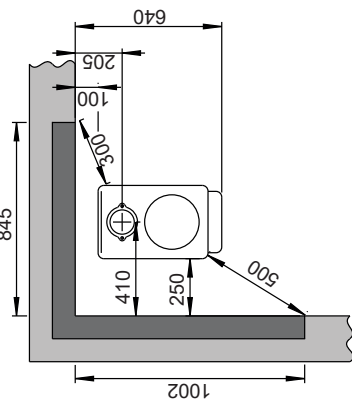
Con escudo térmico

Integrado

Esterno

Integrado

Esterno



Entrada de aire exterior

En las viviendas bien aisladas, es necesario contar con una buena renovación del aire de combustión. Este punto es particularmente importante en las casas con ventilación mecánica. El aire de renovación se puede obtener de varias maneras. Lo más importante es que la estancia en la que se encuentre la estufa reciba un suministro de aire adecuado. Coloque el regulador de entrada de aire exterior tan cerca de la estufa como sea posible y asegúrese de mantenerlo cerrado cuando la estufa esté apagada.

Los extractores de aire que funcionen en la misma habitación o espacio que el aparato pueden causar problemas.

Respete la normativa nacional y local al instalar la conexión de aire exterior.

Compruebe que el sistema de ventilación de la habitación en la que va a instalar la hogar no está bloqueado.

Sistema de combustión cerrada

Si la vivienda es de reciente construcción y cuenta con buenos cerramientos, utilice el sistema de combustión cerrada de la estufa. Conecte la entrada de aire de combustión exterior mediante un tubo de ventilación que entre por la fachada o el suelo.

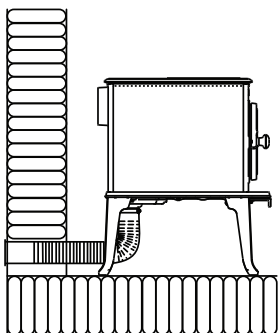
Suministro de aire

El volumen de aire de combustión para los productos de Jøtul es de aproximadamente 20-40 m³/h.

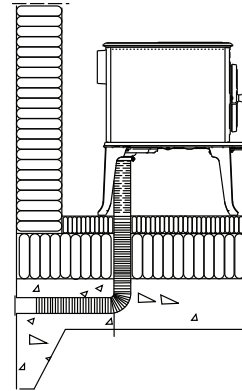
La conexión de aire exterior se puede conectar directamente a la Jøtul F 602 ECO por:

- a parte inferior
- a través de un tubo flexible desde el exterior/chimenea (solo si la chimenea tiene su propio conducto para aire externo) y al conector de aire externo del producto.

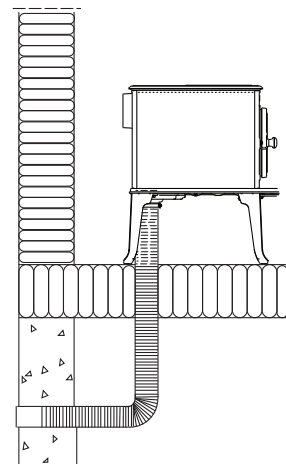
A través de una pared exterior



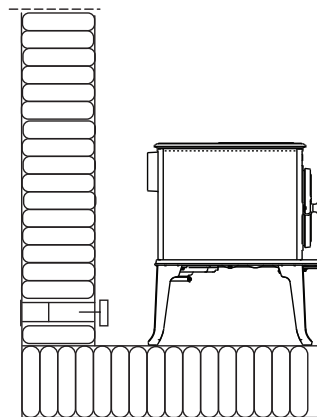
A través de la placa de piso y el suelo



A través del suelo y el zócalo



Indirectamente a través de una pared exterior



4.0 Instalación

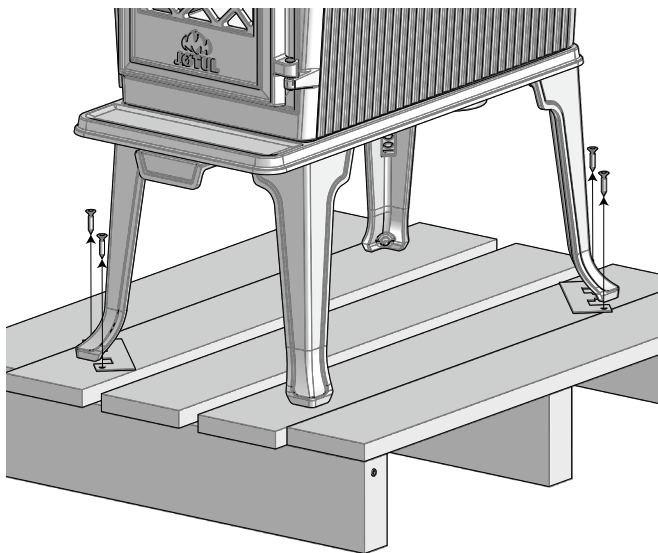
- Antes de instalar la chimenea, compruebe detenidamente que no presente ningún daño.
- El producto es pesado. Solicite ayuda para colocarlo e instalarlo.
- **Asegúrese de que el mobiliario y otros elementos del hogar se encuentren a una distancia segura de la chimenea para protegerlos de los efectos del calor.**
- La estufa debe instalarse en habitaciones bien ventiladas. Una buena ventilación es esencial para el funcionamiento eficiente de la estufa.
- El aparato no debe instalarse con sistemas de ventilación que tengan una presión inferior a -15 Pa.
- Recomendamos instalar detectores de humo en la vivienda.
- Las distancias indicadas en el manual solo se aplican si se respeta la cantidad máxima de leña. Solo garantizan la seguridad contra incendios.
- No se puede garantizar que los materiales de construcción existentes resistan las temperaturas sin sufrir alteraciones visuales.
- Asegúrese de cumplir con las normativas de construcción y con cualquier reglamento local durante la instalación.

4.1 Antes de la instalación

1. El producto estándar se sirve en un solo paquete.
2. Retire la bolsa de los tornillos y la salida de humos de la estufa.
3. Al desembalar el producto, soltarlo del palé.

Asegúrese de que todo está en orden.

Fig. 2 Soltar del palé



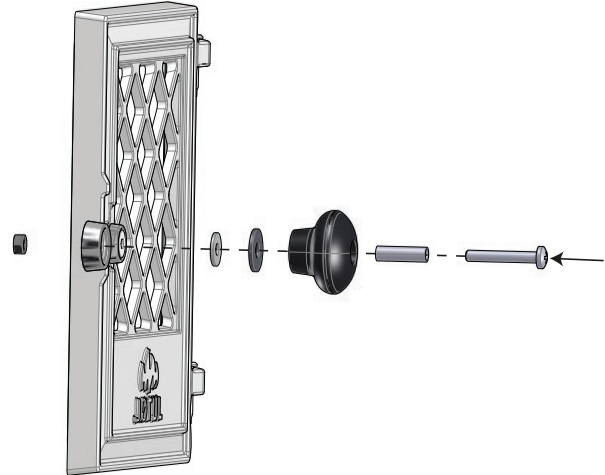
4. Retirar los 4 tornillos de transporte

4.2 Instalación

Fig. 3a Montar el manillar - partes

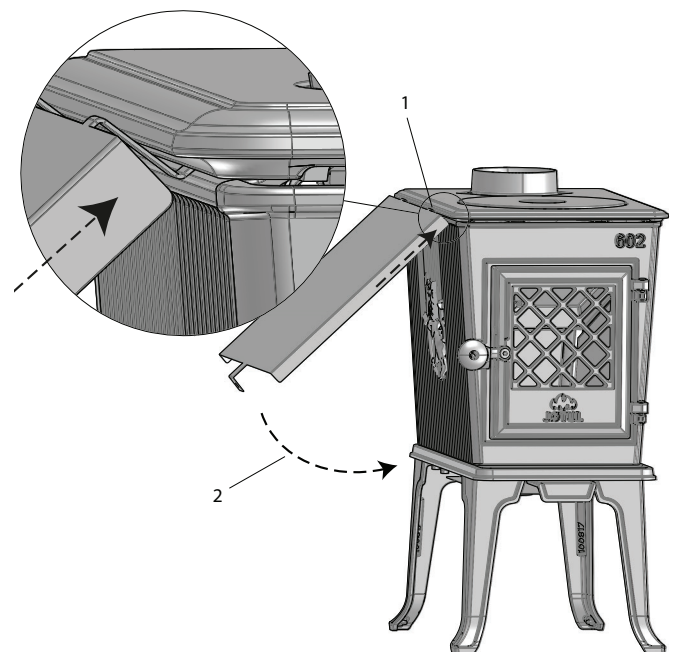


Fig. 3b Montar el manillar



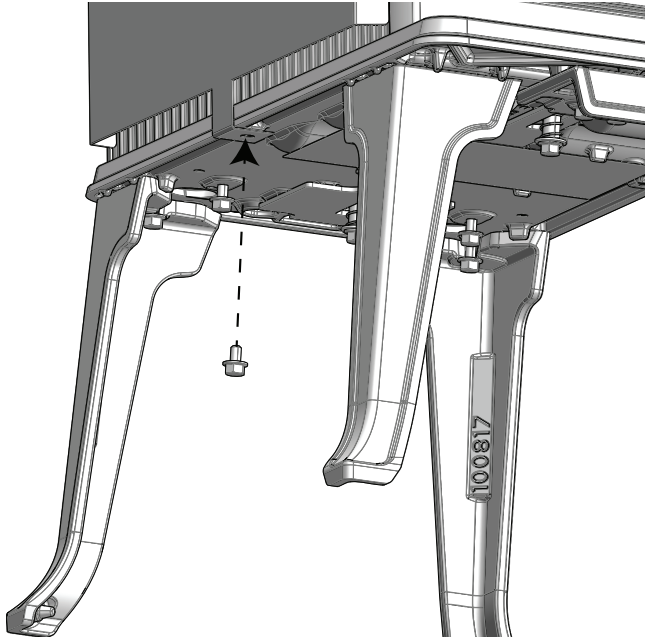
1. Montar el pomo de madera en el manillar de la puerta. Las piezas están en la bolsa de tornillos.

Fig. 4 Instalación del escudo térmico (opcional)



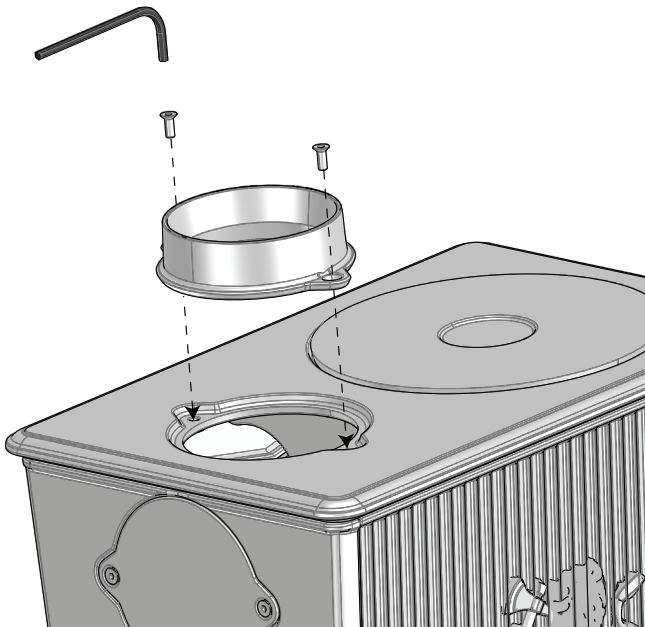
1. Enganche el escudo térmico en la ranura debajo de la placa superior.
2. Doblar la placa del escudo de protección hacia la estufa.
3. El escudo térmico se puede montar tanto en el lado derecho como en el izquierdo (posiblemente en ambos lados si es necesario).

Fig. 4b Colocar el escudo térmico



1. Atornillar el escudo térmico en la parte inferior del producto, con el tornillo incluido en la bolsa de tornillos.

Fig. 5 Montar la salida de humos en la salida superior



1. Apretar la salida de humos con los tornillos atornillados de fábrica en el producto.

Fig. 6a Cambio de la salida superior a la salida trasera

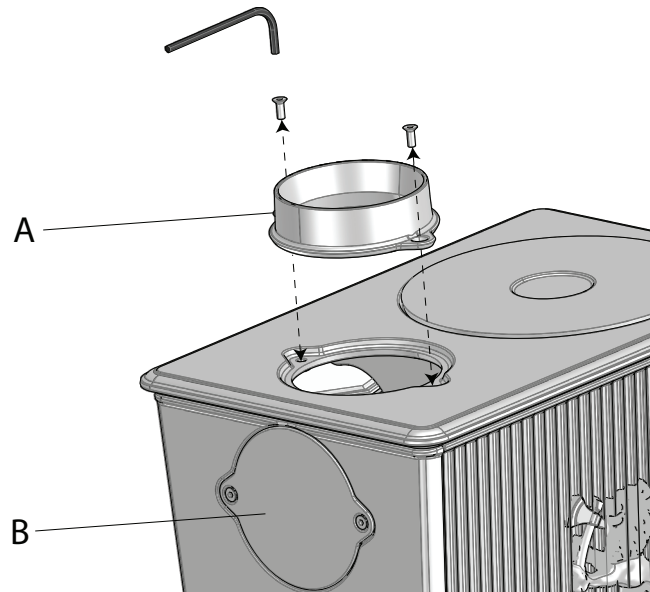
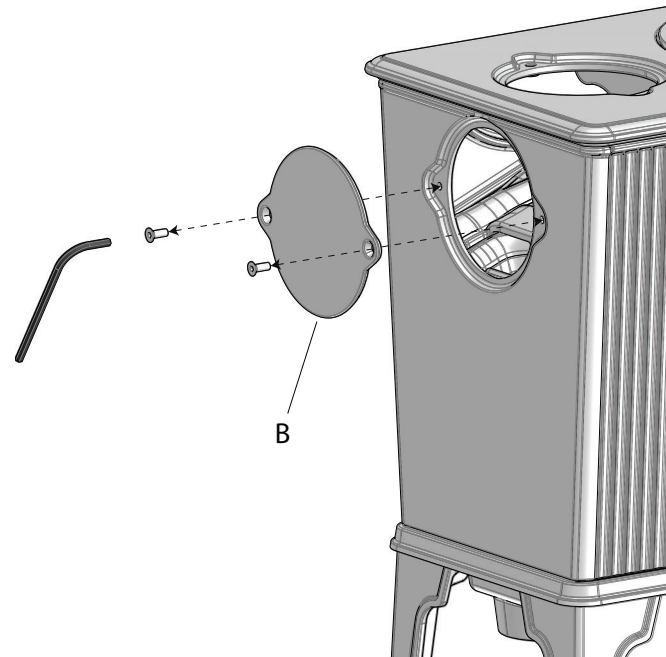


Fig. 6b

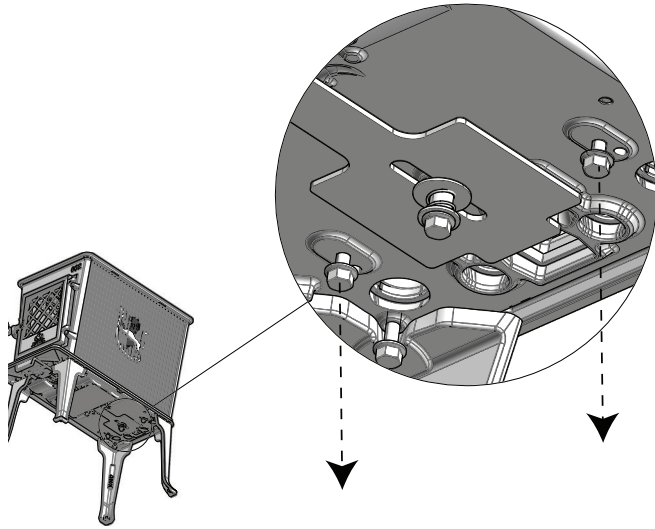


1. Cambio de lugar entre la salida de humos (A) y la tapa de la salida de humos (B). Desenrosque los dos tornillos con una llave Allen.

ESPAÑOL

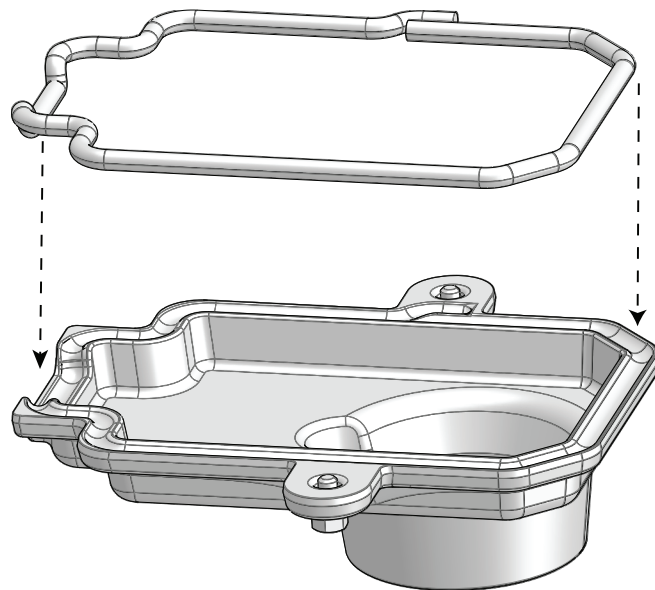
4.3 Montaje con una toma de aire externa (extra opcional)

Fig. 7 Afloje los tornillos del adaptador de aire exterior



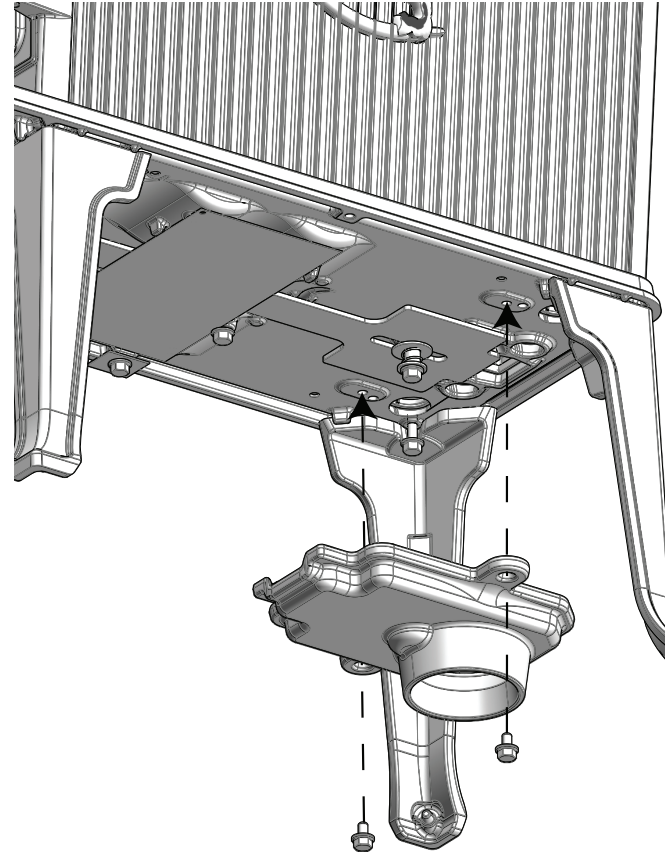
1. Los tornillos utilizados para el adaptador de aire exterior se montan de fábrica en la estufa. Estos deben aflojarse y utilizarse como se muestra en la Fig. 9, si se va a utilizar el suministro de aire fresco.

Fig. 8 Junta de montaje en el adaptador de aire



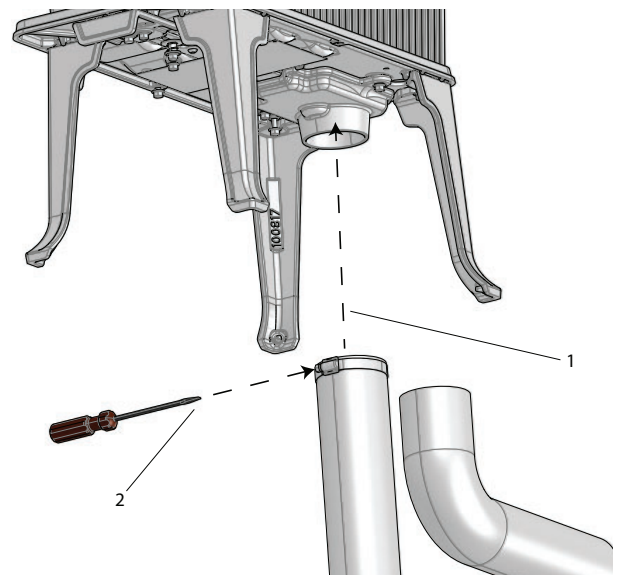
1. Retire el papel protector de la junta suministrada y coloque la junta en la ranura del adaptador de aire exterior.

Fig. 9 Instalación del adaptador de aire exterior.



1. Los tornillos de aflojamiento de la fig. 7 se utiliza para conectar el adaptador de aire exterior

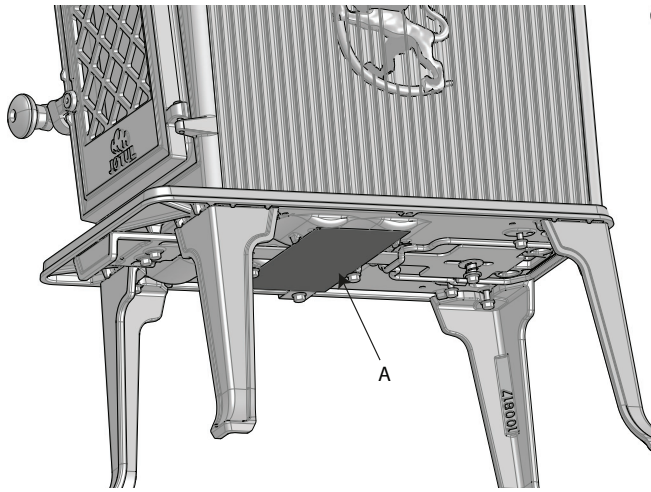
Fig. 10 Montaje de la conexión de suministro de aire exterior



1. Colocar la conexión de suministro de aire exterior en el exterior del adaptador de aire exterior, de la misma manera que para la toma de corriente de pared y de suelo.
2. Apriete con un destornillador.

4.4 Ubicación de la etiqueta de aprobación

Fig. 11 Etiqueta de aprobación



1. La etiqueta de aprobación (A) se encuentra en la parte inferior de la estufa

4.5 Chimenea y tubo del tiro

- La estufa solo debe conectarse a una chimenea y tubo de tiro homologados para estufas de combustible sólido con temperaturas de gas de tiro conforme a lo especificado en «2.0 Datos técnicos».
- Para la dimensión de la tubería de humos, consulte «2.0 Datos técnicos». NB: el diámetro de la chimenea debe ser al menos tan grande como el conducto de humos.
- La chimenea debe conectarse de acuerdo con las instrucciones de instalación del proveedor de la chimenea
- Antes de practicar un orificio en la chimenea, debe instalarse provisionalmente el producto para marcar correctamente la posición de la estufa y del orificio de la chimenea. Consulte la **Fig. 1** para determinar las dimensiones mínimas.
- Con una salida trasera, emplee un codo de tubo de tiro con una trampilla que permita su deshollinado.
- No olvide que es de suma importancia que las conexiones ofrezcan un cierto grado de flexibilidad. Ello tiene como fin prevenir que el movimiento de la instalación pueda generar grietas.
- Para recomendaciones sobre la corriente de chimenea, consulte el apartado «2.0 Especificaciones técnicas».
- Al utilizar un conducto de humos semi-aislado (sección inicial), la parte debe cumplir al menos con la clase T 400-N1-D-Vm-L50050-G100. Para los requisitos de instalación, consulte el dibujo.
- La función de la chimenea y del conducto de humos en cuanto a las distancias de seguridad debe cumplirse. La chimenea debe cumplir con la norma EN 13384-2:2015+A1:2019 según la situación específica del lugar.
- Se pueden conectar varias estufas de combustible sólido al mismo sistema de chimenea si la sección de la chimenea es adecuada y la puerta es de cierre automático. Véase 9.3.

N. B.: La longitud mínima recomendada de la chimenea es de 3,5 m desde la inserción del tubo de tiro. Si la corriente es demasiado fuerte, podrá instalarse un amortiguador de tubo de tiro y utilizarse para reducir la corriente.

Si se instala una compuerta de tiro, debe ser de un tipo que no bloquee totalmente el tiro. El amortiguador debe ser fácil de operar e incorporar una abertura dentro de la cuchilla, que en un área continua ocupe al menos 20 cm² o 3% del área de la sección transversal de la cuchilla si esta es mayor.

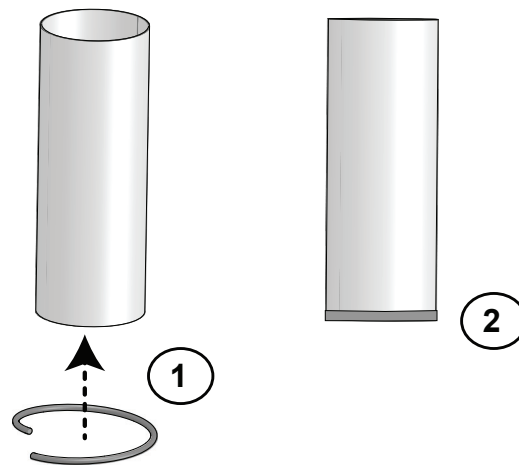
La posición del amortiguador debe ser reconocible desde el ajuste del dispositivo.

Si se instala un regulador de tiro, el requisito de área de sección transversal mínima no será aplicable, pero el dispositivo debe ser fácilmente accesible para su limpieza.

Montaje del tubo de humos

De serie, el producto se entrega con una salida de humos por la parte superior.

Fig. 12 Montaje del tubo de humos



1. Extraer el papel protector de la junta suministrada y fijarlo en la parte exterior del tubo de humos
2. Introduzca el tubo de humos en la salida de humos.

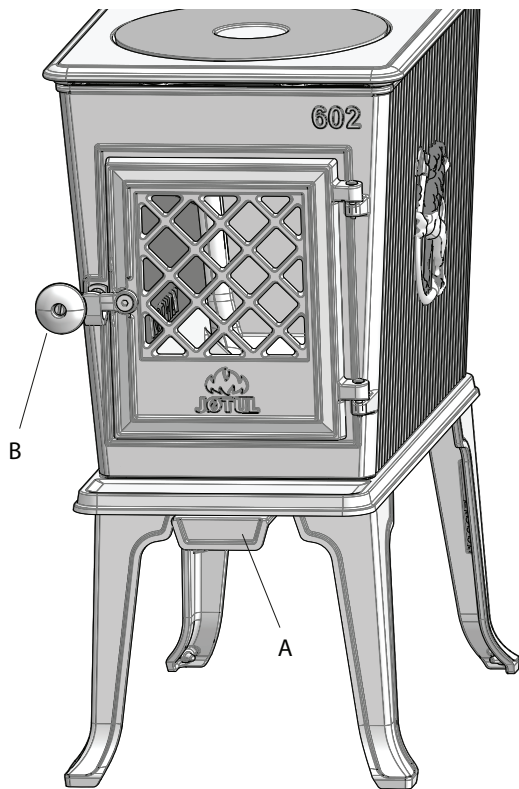
El tubo de humos se instala de la misma manera para la salida superior y trasera.

ESPAÑOL

4.6 Comprobación del rendimiento

Cuando el producto esté montado, compruebe los mandos de regulación; deben moverse con facilidad y funcionar correctamente.

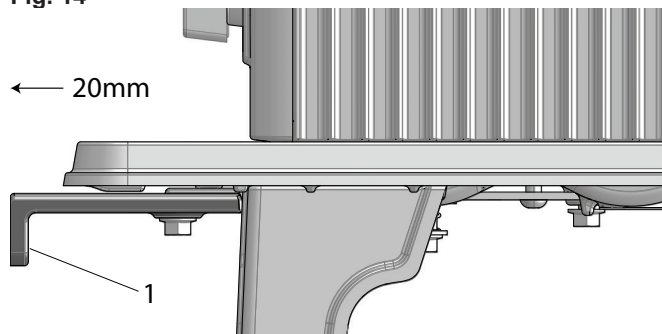
Fig. 13 La Jøtul F 602 ECO cuenta con los elementos de mando siguientes:



Entradas de aire primario y secundario (A). Ajustes de entrada y salida en dirección horizontal (ver fig. 14-16)
Tirador (B). Se abre levantando el manillar hacia arriba y tirando hacia afuera.

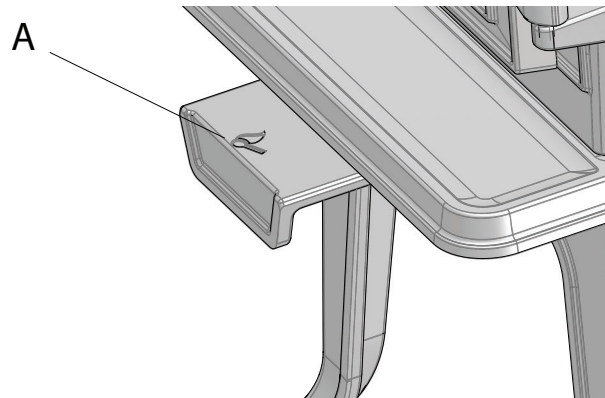
Ajuste de válvulas

Fig. 14



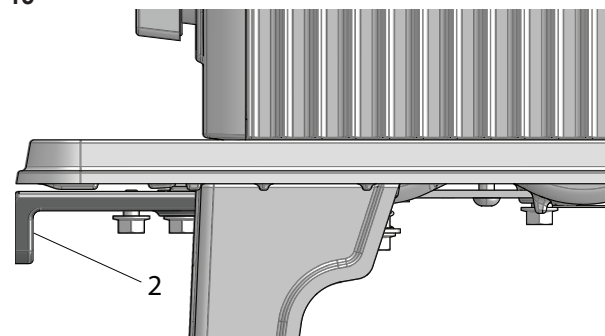
1. Extracción completa: Abierto (se usa durante el encendido)

Fig. 14b



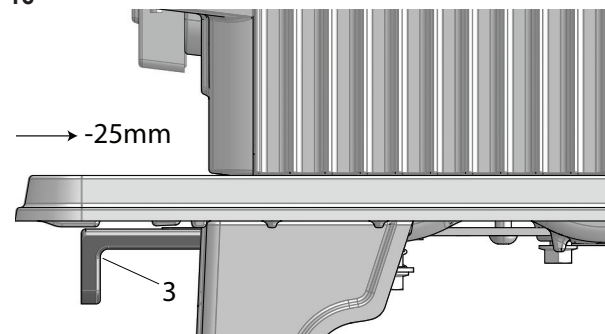
2. Cuando se visualiza el símbolo del fuego (A), la válvula está abierta para el encendido.

Fig. 15



3. Bordes de la bandeja recoge cenizas: Máximo aire después del encendido

Fig. 16

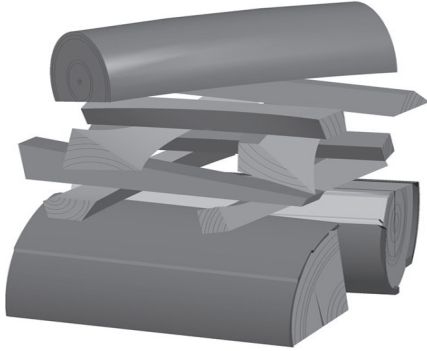


4. Botón pulsado: Cerrado

4.7 Encendido inicial

- Abra el respiradero de aire / el respiradero de encendido tirando de los manillares (A) hasta el tope. (Use un guante o algo similar para protegerse la mano en caso de que los manillares estén calientes).
- Coloque dos troncos en la parte inferior de la cámara de combustión (y apile las astillas para encender en capas).
- Ponga 2 ó 3 briquetas o astillas para encender debajo de la capa superior de astillas y encienda el fuego.
- Aumentar gradualmente el tamaño de los leños.
- Finalmente, coloque un leño de tamaño mediano en la parte superior de la pila.
- Entonces podrá regular el régimen de combustión para obtener el calor que desee ajustando el respiradero
- Cierre la puerta de la estufa. Siempre debe estar cerrada cuando el fuego esté encendido.

Fig. 17



Añadir madera

Avive la estufa con frecuencia pero añada solo una pequeña cantidad de leña en cada ocasión. Si la estufa está demasiado llena, el calor generado podría causar una elevada tensión en la chimenea. Añada combustible al fuego con moderación. Evite el fuego sin llama, pues es el que produce más contaminación. El fuego irá mejor cuando arda bien y el fuego que salga por la chimenea sea casi invisible.

Peligro de sobrecalentamiento

La estufa no debe usarse nunca de manera que se sobrecaliente

Se produce sobrecalentamiento cuando hay demasiado combustible y/o demasiado aire y se produce demasiado calor. Un signo seguro de sobrecalentamiento es cuando partes de la estufa se ponen al rojo. Si sucede esto, reduzca de inmediato la abertura del respiradero.

Solicite la ayuda de un profesional si sospecha que la corriente de la chimenea no es correcta (demasiada corriente o demasiado poca). Para más información, consulte «4.0 Instalación» (chimenea y tubo de tiro).

Condensación

Puede darse condensación en hogares / conductos / chimeneas. La condensación la generan la leña con exceso de humedad y las diferencias de temperatura entre el hogar y el entorno, especialmente por enfriamiento del conducto. El líquido de condensación de la chimenea aparece como un líquido negro tipo alquitrán. Este líquido conviene limpiarlo inmediatamente para evitar que se decolore la superficie afectada, ya sea el hogar, la estufa, el suelo, o el revestimiento. Es importante comenzar con un fuego vivo lo antes posible para evitar condensaciones.

Si la condensación continúa, puede colocar arena mineral en la base de la cámara de combustión.

Eliminar las cenizas

- Antes de retirar las cenizas, asegúrese de que la estufa esté fría.
- Utilice una pala para raspar las cenizas, pero siempre deje un poco de ceniza en el fondo de la cámara de combustión como capa aislante protectora.
- Las cenizas deben depositarse fuera en un contenedor de metal.

5.0 Uso diario

Funcionamiento

Olores al usar la estufa por primera vez

Cuando se usa la estufa por primera vez, puede emitir un gas irritante que huele ligeramente. Esto ocurre debido a que se seca la pintura. El gas no es tóxico, pero la habitación deberá ventilarse completamente. Deje que el fuego arda con mucha corriente hasta que haya desaparecido todo rastro del gas y no sea posible detectar humo ni olores.

Consejos de calentamiento

Nota: Los troncos que se hayan almacenado en el exterior o en una habitación fría deberán meterse al interior 24 horas antes de usarlos para que alcancen la temperatura ambiente.

Hay varias formas de calentar la estufa, pero siempre es importante tener cuidado con lo que introduce en ella. Consulte la sección sobre "Calidad de la madera".

¡NÓTESE BIEN! La combustión con un suministro de aire demasiado bajo puede provocar una combustión pobre, una eficiencia más baja, altas emisiones de partículas, carbono negro y otros compuestos peligrosos para la salud y el clima

Calidad de la madera

Por madera de calidad nos referimos a los tipos más conocidos de madera, como abedul, picea y pino.

Los troncos deben secarse de forma que su contenido en humedad no supere el 20 %.

Para esto, los troncos deben cortarse a finales del invierno. Deben partirse y apilarse de forma que se garantice una buena ventilación. Las pilas de madera deben estar cubiertas para proteger los troncos de la lluvia. Los troncos deben ponerse a cubierto a principios del otoño y apilarse para utilizarlos en el próximo invierno.

Tenga cuidado especialmente de no usar nunca los siguientes materiales como combustible en su estufa:

- Basura doméstica, bolsas de plástico, etc.
- Madera pintada o impregnada (*que es extremadamente tóxica*).
- Planchas de madera laminada.
- Restos de madera

Pueden dañar el producto y también son contaminantes.

Nota: Nunca use gasolina, parafina, alcohol desnaturalizado o líquidos similares para encender el fuego. Puede sufrir lesiones graves y ocasionar serios daños al producto.

ESPAÑOL

Consumo de leña

La Jøtul F 602 ECO tiene una potencia calorífica nominal de aprox. **5 kW**. Uso de madera con emisión calorífica nominal: Aprox. **1,5 kg/h**. El tamaño de los troncos debe ser:

Astillas:

Longitud: 25-33 cm

Diámetro: 5 cm

Cantidad por fuego: 5-8 piezas

Leña (troncos partidos):

Longitud: Ca 19 - 33 cm

Diámetro: Aprox. 4-7 cm

Intervalos de adición de madera: Cada 50 minutos aprox.

Tamaño del fuego: 1.4 kg (Eficiencia nominal)

Cantidad por carga: 2 piezas

Los resultados de las pruebas se han obtenido cargando 2 troncos de 19 cm de largo, con un peso total de 1,4 kh. Los troncos se colocan de manera transversal. Juego de válvulas para aproximadamente el 40 % de aire, a unos 10 mm del borde.

5.1 Incidencia del viento y la condiciones meteorológicas sobre el rendimiento de la estufa

El rendimiento de la estufa puede verse notablemente afectado por las variaciones en la fuerza del viento que incide sobre la chimenea. Por ello, es posible que haya que ajustar la entrada de aire para lograr una combustión adecuada. También puede ser buena idea instalar una compuerta en el tubo de humos para poder regular el tiro de la chimenea en función de la fuerza del viento.

La niebla y la neblina pueden afectar de forma importante al tiro de la chimenea; por eso, en estos casos puede ser necesario modificar los ajustes del aire de combustión para garantizar un buen rendimiento

5.2 Chimenea

La chimenea es el «motor» del aparato, por lo que es esencial disponer de una buena chimenea para que funcione correctamente.

El tiro de la chimenea genera en el hogar un vacío que expulsa el humo al exterior e inyecta aire por el deflector de aire de combustión para alimentar el fuego.

El aire de combustión también alimenta el sistema de limpieza por aire que evita que se acumule hollín en el cristal.

El tiro se produce por la diferencia de temperatura entre el interior y el exterior de la chimenea. Cuanto mayor es la diferencia de temperatura, mejor tira la chimenea. Por tanto, es importante dejar que la chimenea alcance la temperatura de funcionamiento adecuada antes de ajustar las entradas de aire para limitar la combustión en el hogar (*las chimeneas de obra tardan más que las de acero en alcanzar la temperatura de funcionamiento*).

Es especialmente importante alcanzar la temperatura de funcionamiento con la máxima rapidez en los días de viento desfavorable y condiciones meteorológicas adversas. Asegúrese de que el combustible prenda lo antes posible. Consejo práctico: corte la leña en trozos mucho más pequeños y utilice más pastillas de encendido.

Nota: si no ha utilizado el aparato durante bastante tiempo, asegúrese de que la chimenea no esté obstruida

5.3 Indicaciones generales

¡Importante! Durante el funcionamiento de la estufa, algunas partes de la misma, sobre todo las superficies exteriores, se calientan a temperaturas muy elevadas. Proceda con la debida precaución.

- Use un guante al manipular la estufa
- Nunca vacíe las cenizas depositándolas en un contenedor combustible. Puede haber todavía brasas en las cenizas mucho tiempo después de finalizada la combustión
- Mantenga la cámara de combustión cerrada, excepto durante el encendido, la recarga y la eliminación de residuos, para evitar la salida de humos
- Mantenga las aberturas de entrada y salida de aire libres de obstrucciones accidentales mientras la estufa esté en uso
- Cuando la estufa de leña no esté en servicio, puede cerrarse la válvula reguladora para evitar que se forme un tiro a través de la estufa de leña
- Después de pausas prolongadas, deben examinarse las vías de combustión antes de un nuevo encendido para detectar posibles bloqueos

NOTA: ¡Nunca colocar materiales inflamables en la zona de radiación de la estufa!

6.0 Mantenimiento

6.1 Limpieza del cristal

El producto está equipado con un sistema de inyección de aire para el cristal. El aire se introduce a través del respiradero de la parte superior del producto y se desplaza hacia abajo a lo largo de la cara interior del cristal.

Aunque siempre se adhiere algo de hollín al cristal, la cantidad dependerá de las condiciones de tiro locales y del ajuste del respiradero de ventilación. La mayor parte de la capa de hollín se suele quemar cuando se abre completamente el respiradero de ventilación y arde un fuego vivo en la estufa.

Un buen consejo! Para la limpieza normal humedezca una toalla de papel en agua caliente y añádale cenizas de la cámara de combustión. Frote el cristal con la toalla de papel y, a continuación, enjuáguelo con agua limpia. Séquelo bien. Si es necesario limpiar el cristal más a fondo, recomendamos el empleo de un limpiacristales (*siga las instrucciones de uso del envase*).

6.2 Limpieza y eliminación del hollín

Pueden acumularse depósitos de hollín sobre las superficies internas de la estufa durante su uso. El hollín es un buen aislante y, por lo tanto, reduce la producción de calor de la estufa. Si dichos depósitos de hollín se acumulan durante el uso del producto, pueden eliminarse fácilmente con el limpiador de hollín.

Para evitar que en la estufa se forme una capa de agua y de alquitrán, es necesario dejar regularmente que el fuego arda con fuerza. Para obtener la máxima producción calorífica del producto, es necesario limpiar el interior del producto una vez al año. Es una buena idea hacerlo cuando desholline la chimenea y los tubos de humos.

6.3 Deshollinar los tubos de humos a la chimenea

En determinadas estufas autoestables, la placa superior puede retirarse, deshollinando el tubo por la parte superior.

En caso contrario, se deben deshollinar los tubos de humos a través de una trampilla de deshollinamiento del tubo de humos o a través de la puerta del producto. Deberá retirarse la placa deflectora.

6.4 Inspección de la estufa

Jøtul le aconseja que inspeccione personalmente la estufa de forma minuciosa después de deshollinar o limpiar. Compruebe si existen fisuras en las superficies visibles. Compruebe también que todas las uniones están selladas y que las juntas están bien colocadas. Las juntas que muestren signos de desgaste o deformación deben sustituirse.

Limpie a fondo las ranuras de la junta, aplique adhesivo cerámico (disponible en su proveedor Jøtul local) y presione sobre la junta para que encaje en posición. La unión se secará en poco tiempo.

6.5 Mantenimiento exterior

Tras algunos años de utilización es posible que el color de los productos pintados se altere. Debe cepillarse la superficie para limpiarla de partículas sueltas antes de aplicar la nueva pintura.

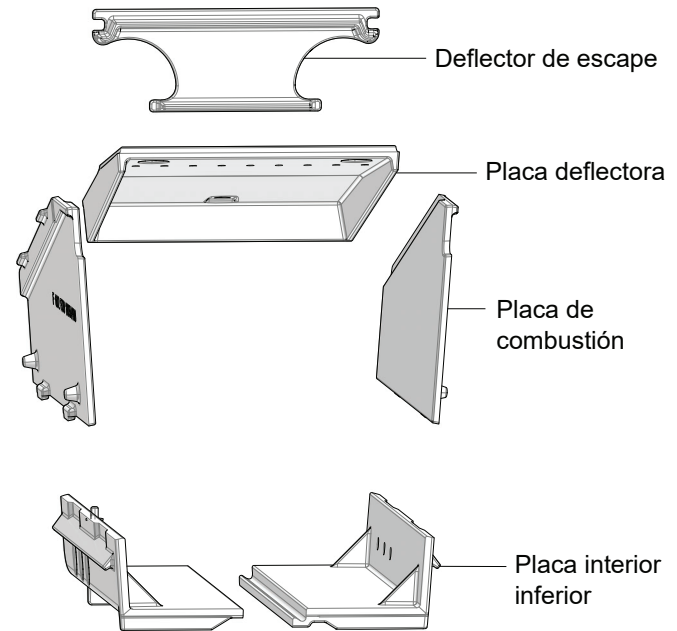
Los productos esmaltados deben limpiarse únicamente con un paño limpio y seco. No utilice agua y jabón. Las manchas pueden eliminarse con un líquido de limpieza (*un producto para limpiar hornos, etc.*).

7.0 Conservación

Está prohibido realizar modificaciones no autorizadas en el producto.

Deben utilizarse exclusivamente piezas de repuesto originales.

Fig. 18

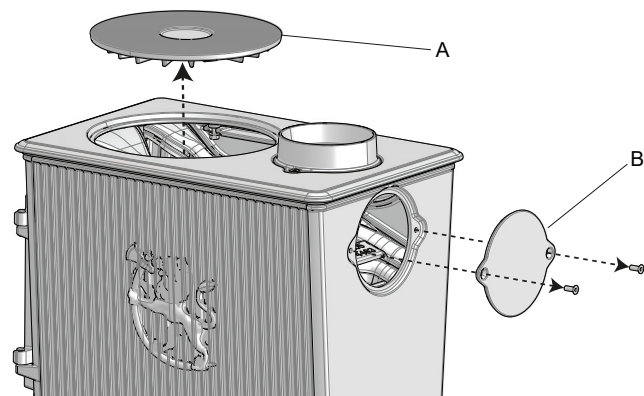


7.1 Sustitución de piezas en la cámara de combustión

Uso de herramientas con mucho cuidado

Sustitución de la placa deflectora

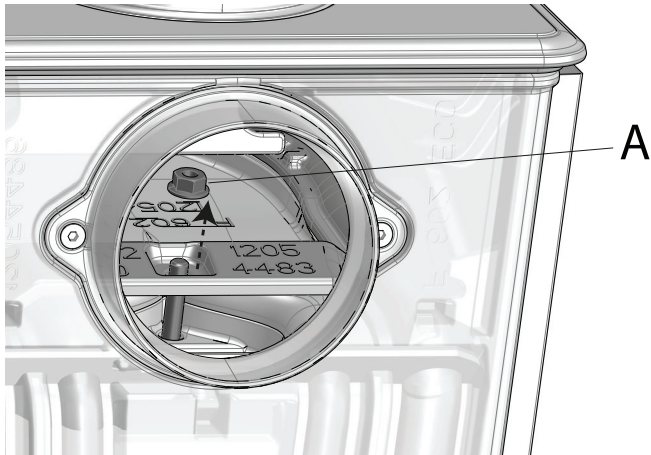
Fig. 19 Desmontaje de la placa calefactora y de la tapa de salida de humos



1. Levantar la placa calefactora (A)
2. Desatornille la tapa de la salida de humos (B)

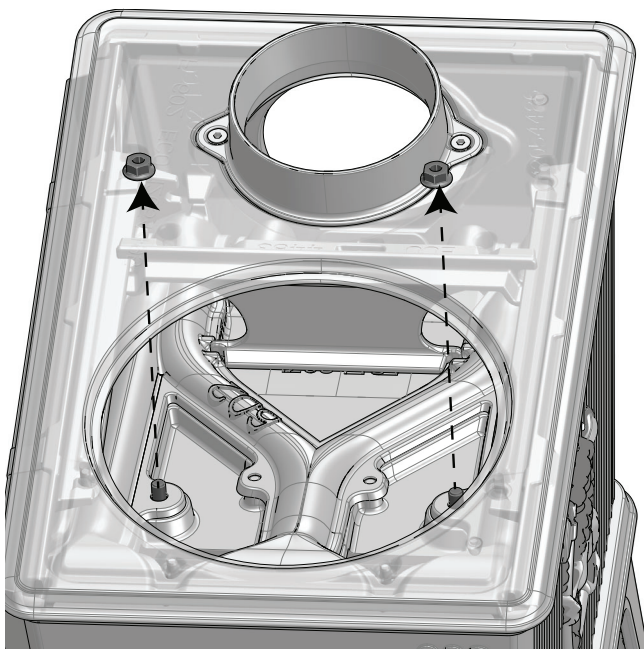
ESPAÑOL

Fig. 20 Afloje las tuercas de la placa deflectora



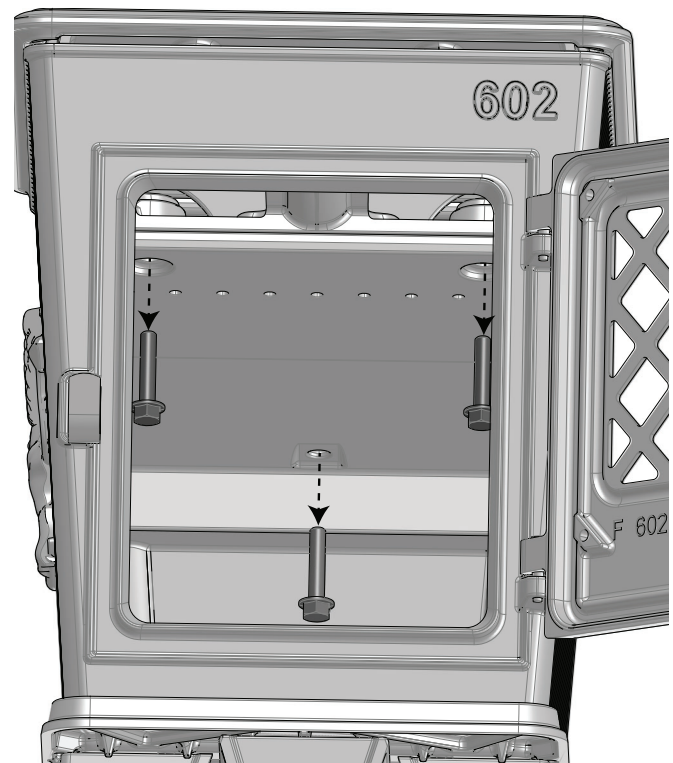
3. Afloje la tuerca (A) de la parte superior/trasera de la placa deflectora

Fig. 21 Afloje las tuercas de la placa deflectora



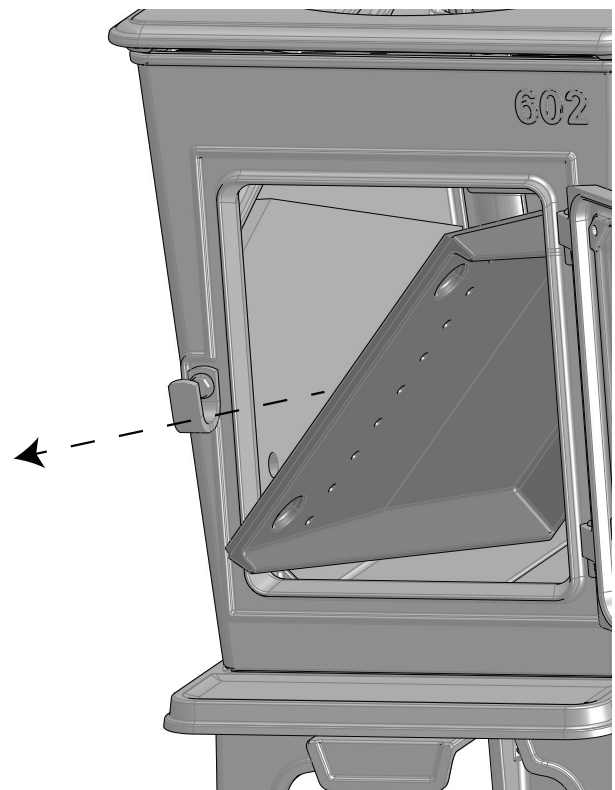
4. Afloje las dos tuercas de la parte superior de la placa deflectora
5. Retire la placa de combustión izquierda y derecha (vea la figura 25)

Fig. 22 Desenroscar los tornillos de la placa deflectora



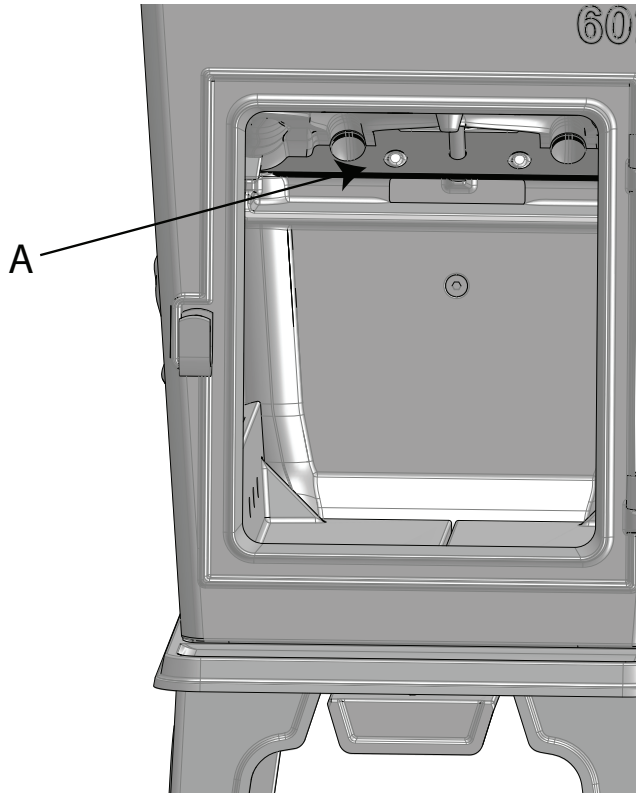
6. Desenroscar los tres tornillos que sujetan la placa deflectora.

Fig. 23 Desmontaje de la placa deflectora



7. Inclinare la placa deflectora hacia fuera de la estufa.
8. El procedimiento para montar las piezas nuevas es el mismo en orden inverso. (consulte primero la figura 24)

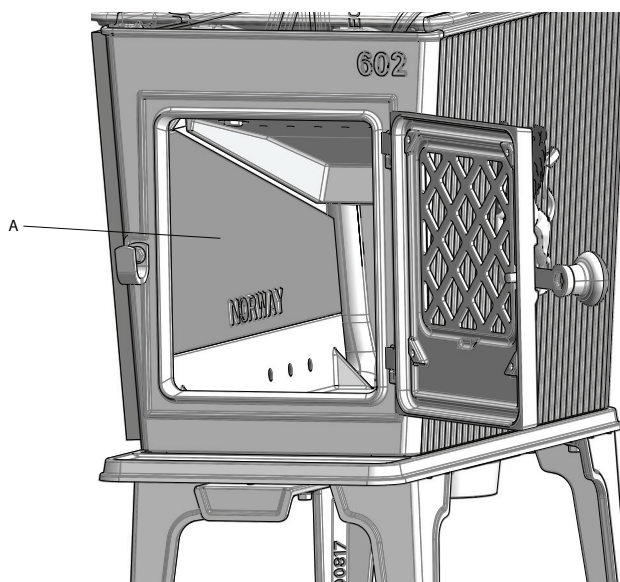
Fig. 24 Sustituya la junta frente a la placa posterior



9. La junta (A) se romperá al retirar la placa deflectora. Esto debe reemplazarse por masilla/pulpa de fibra de fibra cuando se vuelva a ensamblar una nueva placa deflectora.

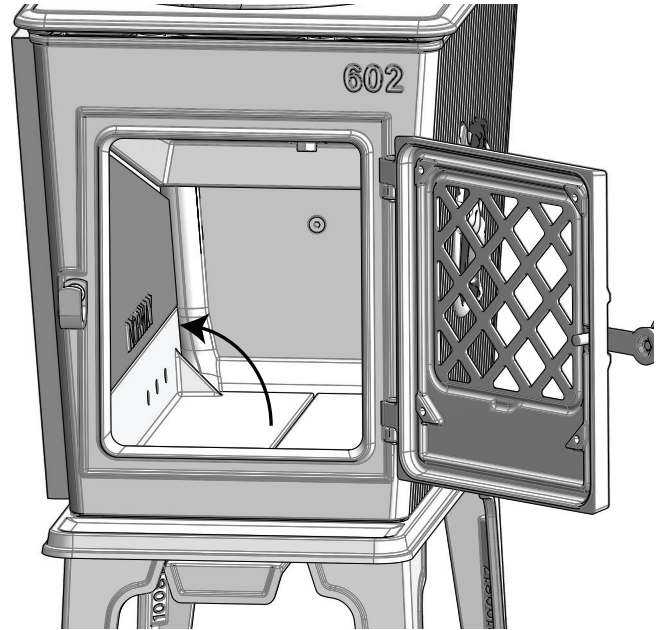
7.2 Sustitución de las placas de combustión /la placa interior inferior

Fig. 25 Sustitución de las placas de combustión



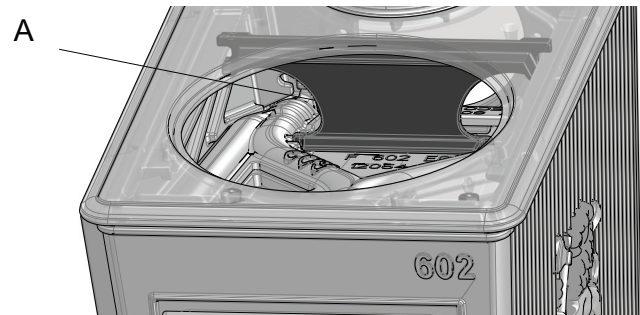
1. Retire la placa de combustión (A) levantando e inclinando la placa de combustión fuera de la estufa, lo que se hace a ambos lados de la cámara de combustión. El procedimiento para montar las piezas nuevas es el mismo en orden inverso.

Fig. 26 Reemplazo de la placa interior inferior



1. Incline hacia arriba la placa interior inferior izquierda, luego inclínela para sacarla de la estufa. Haga lo mismo con la placa interior inferior derecha y, al volver a montarla, siga el mismo procedimiento en orden inverso.

Fig. 27 Sustitución del deflector de escape



1. Retirar la placa calefactora (ver fig. 19)
2. Levante el deflector de escape (A) de la ranura e inclínelo hacia afuera.
3. El procedimiento para montar las piezas nuevas es el mismo en orden inverso

ESPAÑOL

8.0 Problemas de funcionamiento: solución de problemas

Poco tiro

1. Compruebe la longitud de la chimenea y que cumple los requisitos y normativas nacionales. (Consulte también la información de la secciones «**2.0 Información técnica**» y «**4.0 Instalación**» (**Chimenea y tubo de humos**).
2. Compruebe que la sección transversal mínima de la chimenea corresponde a lo indicado en la sección «**2.0 Información técnica**».
3. Cerciórese que no hay ningún obstáculo que impida el escape de los gases: ramas, árboles, etc.
4. Si sospecha que el tiro de la chimenea es excesivo o escaso, solicite ayuda profesional para su medición y ajuste.

La llama se extingue transcurrido un tiempo

1. Asegúrese de que la leña está suficientemente seca.
2. Averigüe si existe presión negativa en la vivienda, apague los sistemas de ventilación mecánicos y abra una ventana cercana a la estufa.
3. Compruebe que el respiradero está abierto.
4. Compruebe que la toma de la salida de humos no está obstruida con hollín.

Se acumula una cantidad anormal de hollín en el cristal

Siempre se adherirá algo de hollín al cristal, pero la cantidad depende de:

- Humedad del combustible.
- Las condiciones de tiro locales.
- Apertura del respiradero de ventilación.

La mayor parte del hollín se suele quemar cuando se abre completamente el respiradero de ventilación y arde un fuego vivo en la estufa. (Consulte la sección «**6.1 Limpieza del cristal - un buen consejo!**».)

9.0 Equipo opcional

9.1 Tapa de suministro de aire exterior

N.º art 10055054

9.2 Escudo térmico

N.º art 10054507

9.3 Placa calefactora Ø125

N.º art 51054941

9.4 Adaptador para aire exterior

N.º art 51054938

9.5 Kit de conexión para aire exterior Ø80

N.º art 51047509

10.0 Reciclaje

10.1 Reciclaje del embalaje

- Su estufa se entrega con el siguiente embalaje:
- Un palé de madera que puede cortarse y quemarse en la estufa.
- Embalaje de cartón que debe llevarse a un punto de reciclaje local.
- Bolsas de plástico que deben llevarse a un punto de reciclaje local.

10.2 Reciclaje de la estufa

La estufa se compone de:

- Metal que debe llevarse a un punto de reciclaje local.
- Cristal que debe desecharse como un residuo peligroso. El cristal de la estufa no debe depositarse en un contenedor de separación convencional.
- Placas de combustión de vermiculita que pueden desecharse en contenedores de desechos convencionales.

11.0 Términos de la Garantía

1. Nuestra garantía cubre:

Jøtul AS garantiza que las partes exteriores de hierro fundido están libres de defecto en materiales o fabricación en el momento de la compra. Usted puede extender esta garantía sobre las piezas exteriores de fundición hasta 25 años desde la fecha de entrega del producto registrándolo en jotul.com, e imprimiendo la tarjeta de ampliación de la garantía en un plazo de tres meses a contar desde la fecha de compra. Recomendamos conservar la tarjeta de garantía junto con el justificante de compra. Jøtul AS también garantiza que las piezas de acero están libres de defectos de material o fabricación en el momento de la compra y durante un período de 5 años a partir de la fecha de entrega.

La garantía solamente tendrá validez si la instalación de la estufa se encarga a un instalador cualificado y se realiza con arreglo a la normativa en vigor y siguiendo las instrucciones de instalación y funcionamiento de Jøtul. Los productos reparados y las piezas sustituidas estarán garantizados durante el tiempo que quede de la garantía original.

2. La garantía no cubre:

- 2.1. Los daños en las piezas de desgaste, como placas de combustión, rejillas, deflectores de humos, juntas y similares, puesto que se deterioran con el tiempo debido al uso normal.
- 2.2. Los daños derivados de un mantenimiento inadecuado, sobrecalentamiento o uso de combustibles inadecuados (ejemplos de combustible inadecuado son entre otros: restos de madera extraídos del mar, madera impregnada, recortes de tablas, aglomerado, etc.) o de leña demasiado húmeda
- 2.3. La instalación de accesorios opcionales que rectifiquen el tiro, el suministro de aire u otras circunstancias fuera del control de Jøtul.
- 2.4. Casos derivados de alteraciones o modificaciones de la estufa efectuadas sin el consentimiento de Jøtul, o el uso de piezas no originales.
- 2.5. Daños producidos en el almacén de un distribuidor, en el transporte posterior o durante la instalación
- 2.6. Productos vendidos por distribuidores no autorizados en zonas donde Jøtul opera según distribución selectiva
- 2.7. Costes asociados (por ejemplo, pero no solo, transporte, mano de obra, gastos de viaje) o daños indirectos

Las estufas de pellets, cristal, piedra, hormigón, acabados de pintura y esmalte (por ejemplo, pero no solo golpes, grietas, burbujas, decoloramiento, etc) están sujetos a la legislación nacional de consumo aplicable. Esta garantía es válida para compras realizadas dentro del territorio del Espacio Económico Europeo. Todas las reclamaciones de garantía se tramitarán a través de su distribuidor autorizado Jøtul local en un plazo razonable de tiempo que no excederá de 14 días respecto a la fecha en la que se detecte la falta o defecto por primera vez. Consulte la lista de importadores y distribuidores en nuestra página web www.jotul.com

Si Jøtul no pudiese cumplir con las obligaciones descritas en los términos de la garantía, se ofrecerá un producto alternativo de capacidad calorífica comparable

Jøtul se reserva el derecho a rechazar cualquier reposición de piezas si la garantía no se ha registrado online. Esta extensión de garantía únicamente añade coberturas, y no disminuye en medida alguna los derechos del consumidor y las garantías establecidas por la ley. Los derechos de garantía nacional empezarán a contar desde la fecha de compra y solamente podrán ejercerse previa presentación del justificante de compra/número de serie.

ITALIANO

IT - Manuale di installazione ed uso

Indice generale

2.0 Data Tecnici.....	65
3.0 Sicurezza	69
4.0 Installazione.....	73
5.0 Utilizzo giornaliero.....	78
6.0 Manutenzione.....	79
7.0 Assistenza.....	80
8.0 Risoluzione dei problemi.....	83
9.0 Accessori opzionali.....	83
10.0 Riciclaggio.....	83
11.0 Termini della garanzia.....	83

2.0 Data Tecnici

Installazione

- Il proprietario dell'immobile è responsabile dell'installazione e del montaggio, che devono avvenire in conformità alle direttive edilizie nazionali, locali ed europee, nonché in conformità alle informazioni contenute in questo manuale di montaggio e uso
- L'installazione di qualsiasi tipo di camino o stufa deve essere notificata alle locali autorità competenti in materia di costruzioni ed edilizia abitativa. L'installazione deve inoltre essere esaminata e approvata da uno spazzacamino del posto prima della messa in funzione
- Per ottenere funzionalità e sicurezza ottimali dell'impianto, consigliamo di far eseguire l'installazione da un installatore professionista. Il nostro rivenditore Jøtul autorizzato vi potrà consigliare un installatore qualificato nelle vostre vicinanze. Potete trovare informazioni sui nostri rivenditori autorizzati all'indirizzo www.jotul.it

Sicurezza

Qualsiasi modifica apportata al prodotto dal rivenditore, installatore o dall'utente potrebbe generare un funzionamento non corretto del prodotto o delle sue funzioni di sicurezza. Lo stesso dicasi per il montaggio di accessori o di attrezzature extra non fornite da Jøtul AS. Lo stesso potrebbe verificarsi se i componenti che sono necessari per il funzionamento e per la sicurezza della stufa vengono smontati o rimossi.



La stufa a legna è stata prodotta in conformità al tipo di omologazione le cui specifiche si trovano sul manuale di montaggio e uso. Leggere e seguire attentamente le istruzioni riportate nel manuale d'uso.

La dichiarazione di prestazione (DoP) è disponibile sul sito www.jotul.it

Dati tecnici

Collaudata in conformità a EN 16510		
	Classificazione del prodotto	Type BE
P_{nom}	Potenza termica nominale	4,9 kW
η_{nom}	Efficienza energetica alla potenza nominale	81 %
η_s	Efficienza energetica stagionale del riscaldamento d'ambiente	71 %
EEI	Indice di efficienza energetica	107
	Classe energetica	A+
	Combustibile	legna*
	Lunghezza massima della legna	400 mm
	Consumo di combustibile	1,42 kg/t
	Quantità di combustibile necessaria per l'accensione	1,19 kg/t
	Quantità di combustibile max	2 kg/t
CO_{nom}	Emissioni di CO a 13% O ₂ alla potenza nominale	0,06 %
		1133 mg/Nm ³
NO_{xnom}	NO _x @ 13% O ₂ alla potenza nominale	88 mg/Nm ³
OGC_{nom}	OGC @ 13% O ₂ alla potenza nominale	46 mg/Nm ³
PM_{nom}	Polveri @ 13% O ₂ alla potenza nominale	23 mg/Nm ³
P_{nom}	Tiraggio canna fumaria alla potenza nominale	12 Pa
	Depressione consigliata nel raccordo fumi	18-20 Pa
	Richiesta aria di combustione	10,6 m ³ /t
T_{snom}	Temperatura canna fumaria alla potenza nominale	311 °C
T class	Designazione del camino	T400 G
$\phi_{fg nom}$	Quantità di fumi alla potenza nominale	4,6 g/sec
V_h	Perdita d'aria	NPD m ³ /t
	Perdite prima del test alla pressione di riferimento di 5 Pa (1013 mbar, 27 °C)	3,17 Nm ³ /h
	Perdite prima del test alla pressione di riferimento di 10 Pa (1013 mbar, 27 °C)	5,74 Nm ³ /h
	Perdite prima del test alla pressione di riferimento di 15 Pa (1013 mbar, 27 °C)	7,53 Nm ³ /h
CON/INT	Funzionamento continuo (CON)/Funzionamento intermittente (INT)	INT**
	Classificazione di reazione al fuoco	A1
E, f	Tensione di alimentazione, frequenza	- V

* Utilizzare solo combustibili raccomandati – classificazione I.

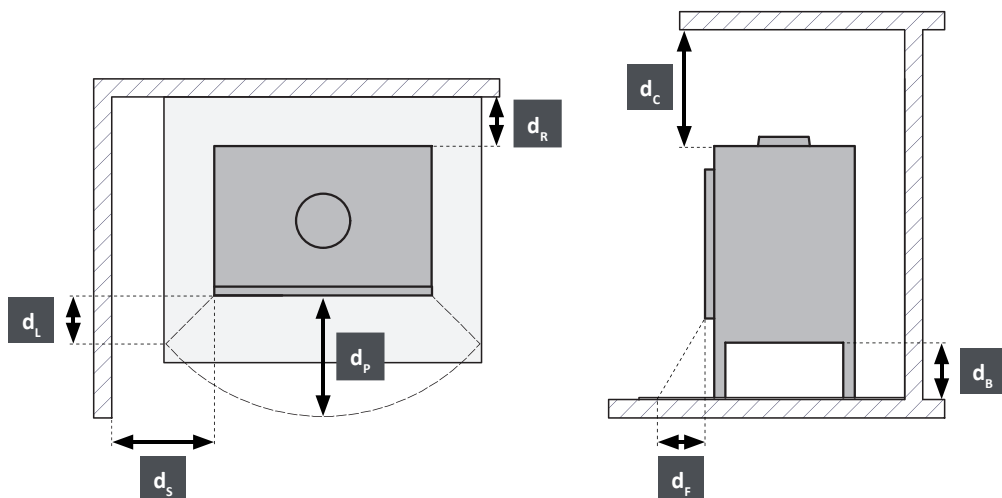
** Il funzionamento intermittente, in questo contesto, significa l'uso normale di una stufa a legna. In altre parole, è necessario lasciar morire il fuoco fino a quando rimangono solo le braci prima di aggiungere altra legna.

Dati tecnici

Dati tecnici fondamentali		
Materiali		Acciaio inox Ghisa Pietra ceramica/vermiculite Vetro
Trattamento superficiale		Senotherm
Scarico fumi		Superiore, posteriore
d_{out1}	Diametro interno raccordo fumi (tubo esterno)	125 mm
	Kit presa d'aria fresca	80 mm
L	Dimensioni principali (profondità)	540 mm
H	Dimensioni principali (altezza)	637 mm
W	Dimensioni principali (larghezza)	320 mm
m	Peso	86 kg
m_{chim}	Carico massimo della canna fumaria che la stufa può sopportare	120 kg

Distanza minima da materiali infiammabili		
d_R	Posteriore (sezione iniziale non isolata / isolata)	300/250 mm
d_S	Laterali	500*** mm
d_C	Soffitto	750 mm
d_P	Anteriore	550 mm
d_F	Anteriore rispetto al pavimento	0 mm
d_L	Radiazione laterale	0 mm
d_B	Pavimento	252 mm
d_{non}	Distanza minima da pareti non infiammabili	50 mm
	Angolo (sezione iniziale non isolata / isolata)	350/300*** mm
	Il codice per i tubi di scarico isolati	T400-N1-D-Vm-L50050-G100

*** Uso degli accessori: vedere i disegni di installazione



Targhetta di identificazione

Tutte le stufe a legna Jøtul sono munite di targhetta di identificazione che indica le norme di omologazione e la distanza dai materiali infiammabili.

La targhetta di identificazione si trova sul retro della stufa.

Questo numero di serie deve essere sempre citato quando ci si rivolge al distributore o a Jøtul.

Targhetta di identificazione

1 → **JØTUL F 602 ECO**

2 → **Harmonised standard:** EN 16510-2-1:2022

3 → **Approved by:** DTI • NB no. 1235

4 → **Classification of appliance:** Type BE

5 → **Recommended fuels (designation):** Wood logs (I)

6 → **Manufacturer:** Jøtul AS, POB 1411, N-1602 Fredrikstad, Norway

7 → **Declaration of Performance:** CPR-F602ECO-14072025

8 → **Intended use:** Space heating in residential buildings

P_{nom}	4,9	kW	Read instruction manual for further information
η_{nom}	81	%	
CO_{nom} (13% O₂)	1133	mg/m ³	
NO_{xnom} (13% O₂)	88	mg/m ³	
OGC_{nom} (13% O₂)	46	mg/m ³	
PM_{nom} (13% O₂)	23	mg/m ³	
p_{nom}	12	Pa	
d_R (rear)	300	mm	
d_S (side)	500	mm	
d_C (ceiling)	750	mm	

10 → (points to the table content)

11 → (points to the table content)

12 → (points to the table content)

13 → Lot no: 000000 2025 Pin:000

SPIEGAZIONE DELLA TARGHETTA DE IDENTIFICAZIONE

- 1** Tipo, numero o designazione del modello per identificare il prodotto
- 2** Norme applicabili
- 3** Nome del produttore o marchio registrato
- 4** Classificazione dei prodotti
- 5** Combustibili consigliati
- 6** Nome del produttore
- 7** Numero del documento DOP
- 8** Tabella dei valori:

P_{nom} - potenza termica nominale

η_{nom} - efficienza energetica alla potenza nominale

CO_{nom} - emissioni di CO a 13% O₂ alla potenza nominale

NO_{xnom} - NO_x @ 13% O₂ alla potenza nominale

OGC_{nom} - OGC @ 13% O₂ alla potenza nominale

PM_{nom} - polveri @ 13% O₂ alla potenza nominale

p_{nom} - tiraggio canna fumaria alla potenza nom.

Distanza minima da materiali infiammabili:

d_R - posteriore

d_S - laterali

d_C - soffitto

d_P - anteriore

d_F - anteriore (rispetto al pavimento)

d_L - radiazione laterale

d_B - pavimento

9 Marchio di conformità CE- Le cifre indicano l'anno di emissione del certificato

10 Specifiche del prodotto

11 Rifiuti di apparecchiature elettriche ed elettroniche

12 Targhetta di identificazione

13 Numero di registrazione del prodotto

3.0 Sicurezza

Nota: per garantire prestazioni e sicurezza ottimali, le stufe Jøtul devono essere montate da un installatore qualificato.

Qualunque modifica al prodotto da parte del distributore, installatore o consumatore può comportare un funzionamento imprevisto del prodotto e delle funzionalità di sicurezza. Lo stesso si applica all'installazione di accessori o di extra opzionali non forniti da Jøtul. Ciò può riguardare anche componenti essenziali per il funzionamento e la sicurezza del caminetto eventualmente smontati o rimossi.

In tutti i casi citati, il produttore non potrà essere ritenuto responsabile o punibile per il prodotto, rendendo nullo e non valido ogni reclamo.

3.1 Misure di prevenzione antincendio

Ogni utilizzo del caminetto ha in sé un certo elemento di pericolo. Pertanto, è necessario seguire attentamente le seguenti istruzioni:

- Le distanze minime di sicurezza in caso di utilizzo del caminetto sono fornite nella **fig. 1**.
- Assicurarsi che gli arredi e altri materiali infiammabili non siano troppo vicini al caminetto. I materiali infiammabili non devono mai essere posizionati entro **550 mm** dal caminetto.
- Attendere l'estinzione del fuoco. Non spegnere mai le fiamme con acqua.
- Il caminetto acceso diventa caldo e può causare bruciature se toccato.
- Rimuovere la cenere solo con il caminetto freddo. La cenere può contenere braci calde, pertanto deve essere collocata in un contenitore ignifugo.
- La cenere deve essere collocata all'esterno o svuotata in un luogo in cui non rappresenterà un pericolo potenziale di incendio.

In caso di incendio della canna fumaria

- Chiudere tutte le aperture e le prese d'aria.
- Tenere chiusa la porta del camino.
- Chiamare i vigili del fuoco.
- Prima di utilizzare di nuovo il camino e la canna fumaria dopo un incendio, è necessario che vengano controllati da un tecnico specializzato che ne assicuri l'integrità e il corretto funzionamento.

3.2 Guanto

Utilizzare guanti protettivi quando si maneggia il prodotto caldo.

3.2 Pavimento

Basamento

È importante accertarsi che le dimensioni dei basamenti siano adatte al camino. Cf. «**2.0 Dati tecnici**» per le specifiche sul peso.

Durante l'installazione, si consiglia di rimuovere la pavimentazione non fissata al sottofondo (pavimento antivibrante).

Requisiti per la protezione del pavimento di legno

Il prodotto può essere posizionato direttamente su un pavimento in legno, protetto da una piastra a pavimento realizzata in materiale non combustibile (spessore raccomandato: minimo 0,9 mm)

Jøtul raccomanda di rimuovere eventuali materiali infiammabili come: linoleum, moquette, ecc. da sotto la pedana di protezione del pavimento.

Requisiti per la protezione dei pavimenti infiammabili davanti al camino

La piastra anteriore deve essere conforme alle leggi e alle norme nazionali.

Contattare le autorità edili locali in relazione alle disposizioni e ai requisiti di installazione.

3.3 Pareti

- Posizionare il prodotto in modo tale che sia possibile pulire la stufa, il condotto di scarico fumi e il passaggio della canna fumaria.
- Assicurarsi che i mobili e gli altri elementi di arredo non sono così vicino alla stufa
- Assicurarsi che mobili e altri articoli di arredamento non siano tanto vicini da essere seccati dalla stufa.

Distanza da pareti di materiale infiammabile

- nella **fig. 1a**

La stufa deve essere installata con un condotto di scarico fumi approvato CE.

È inoltre necessario tenere in considerazione la distanza dei condotti di scarico fumi dai materiali combustibili.

Combustible wall protected by firewall

Distanza minima dalla parete combustibile protetto da muro tagliafuoco. Vedere **fig. 1b**

È consentito l'utilizzo con condotti del fumo non isolanti con la distanza dalla parete di materiale infiammabile descritta nella **fig. 1a**. Distanza da una parete in materiale infiammabile con condotto scarico fumi parzialmente isolato/rivestito, vedi **fig. 1a**.

Requisiti del muro tagliafuoco

Il muro tagliafuoco deve avere uno spessore di almeno **100 mm** ed essere realizzato in blocchi di calcestruzzo a mattone o calcestruzzo leggero. È possibile utilizzare anche altri materiali e strutture provviste della necessaria documentazione.

Parete ignifuga (in forma integrale)

Il caminetto può essere installato con una distanza minima di **100 mm** dalla parete non combustibile ed una distanza da tutti i materiali combustibili è di almeno **300 mm**.

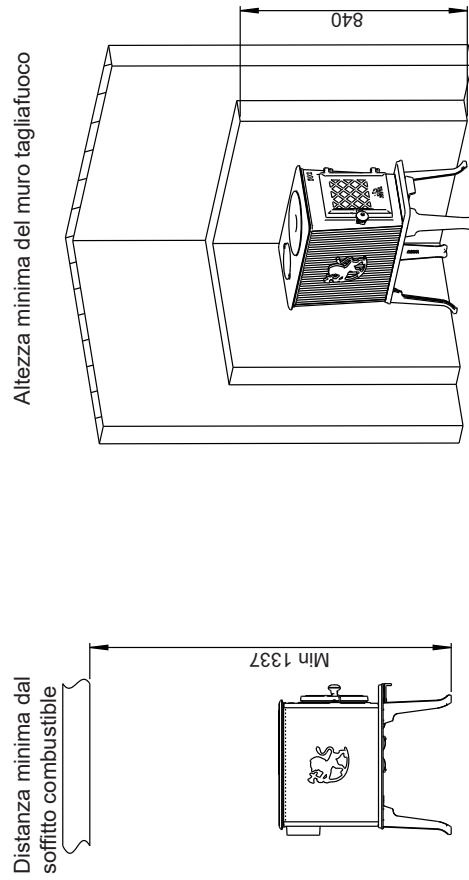
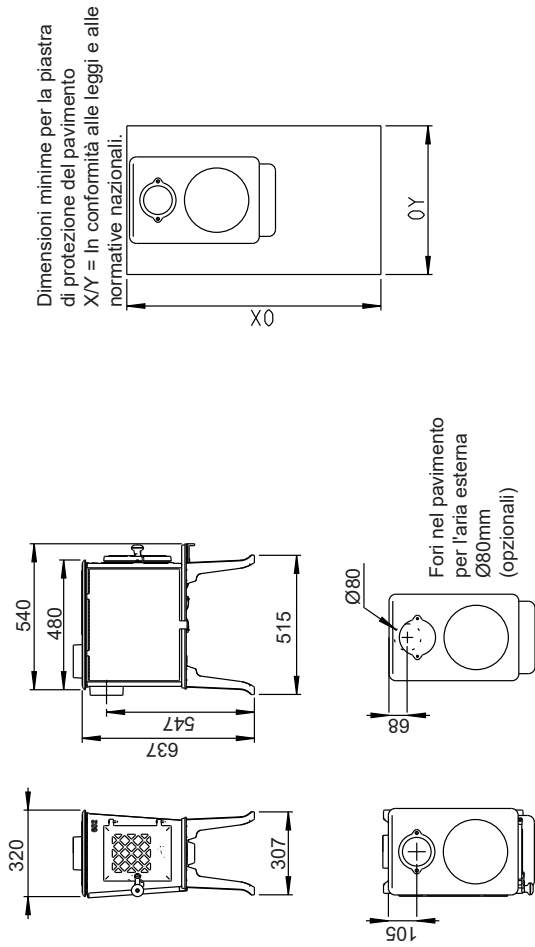
I materiali non combustibili sono materiali come mattoni, clinker, cemento, lana minerale, lastre di silicato ecc. (Materiali che non bruciano). Nota! Una breve distanza dalla parete non combustibile può portare all'essiccazione e allo scolorimento della vernice e causare crepe.

3.4 Soffitto

La distanza minima tra la stufa e il soffitto in materiale infiammabile deve essere almeno di **700 mm**.

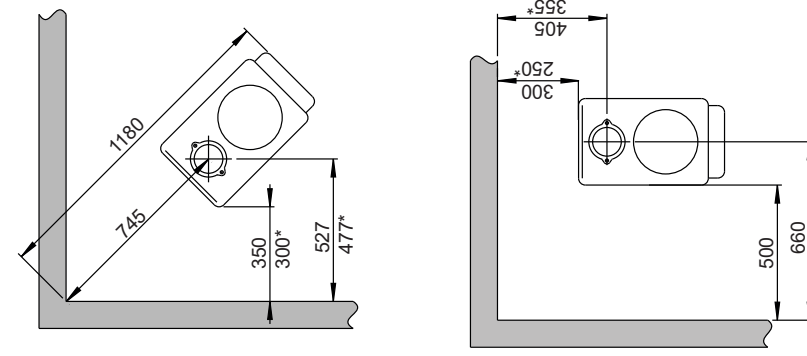
Fig. 1a

Jøtul F 602 ECO

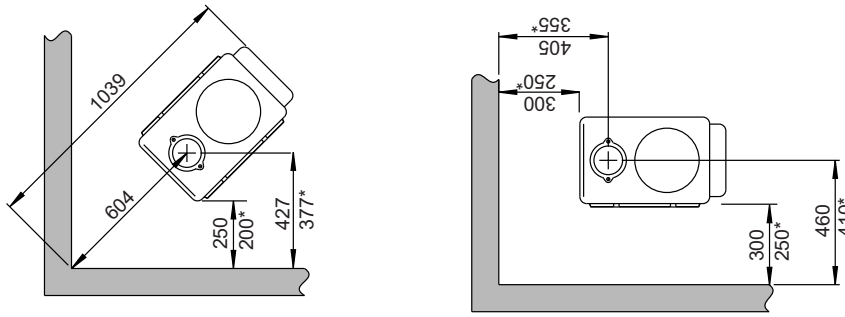


Distanza minima dalla parete combustibile

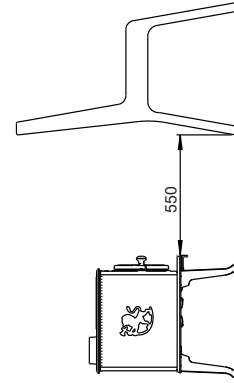
Senza scudo termico



Con scudo termico

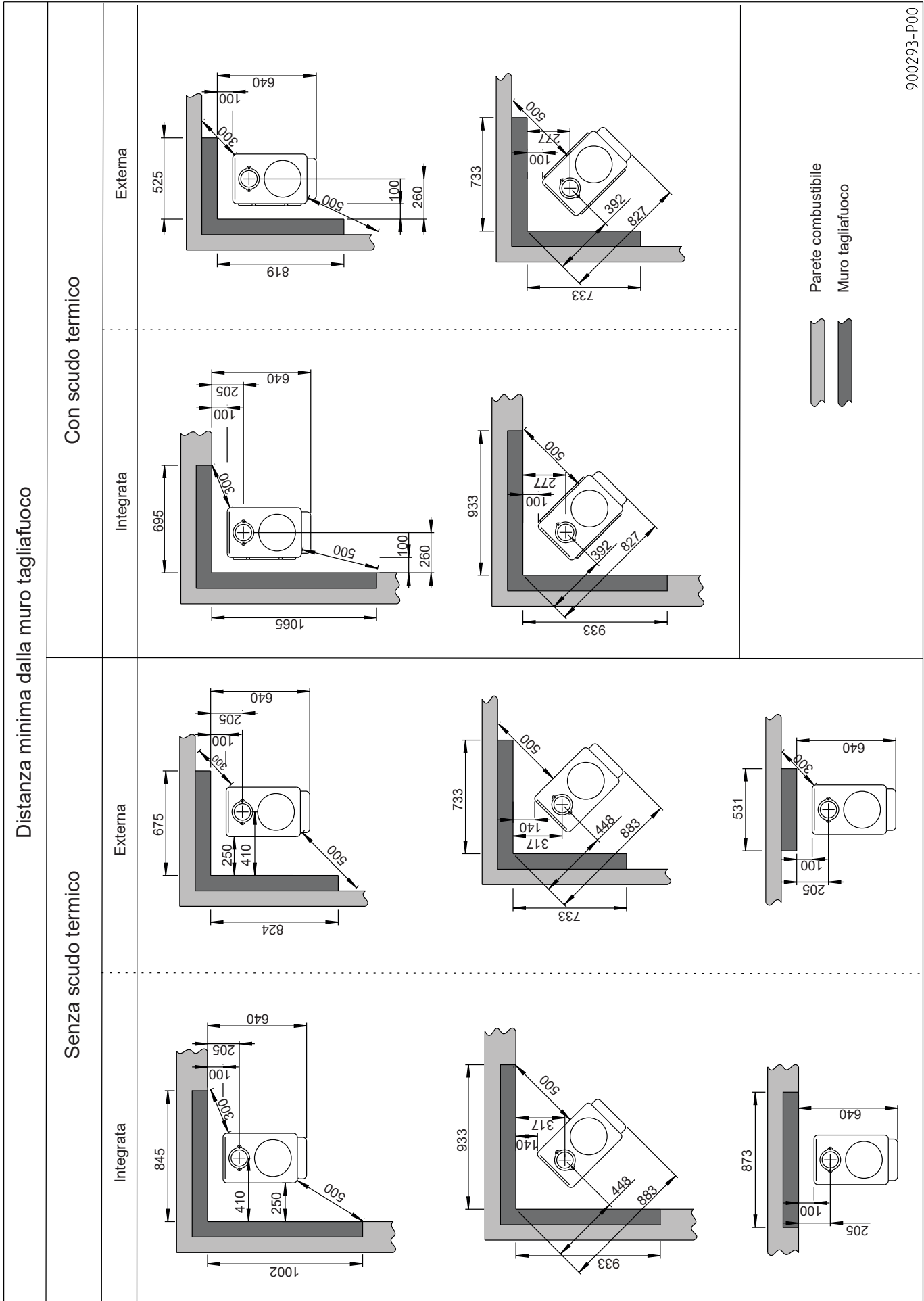


Parete combustibile
 Muro tagliafuoco



* Distanza da una parete in materiale infiammabile con condotto scarico fumi parzialmente isolato/rivestito

Fig. 1b



ITALIANO

Circolazione dell'aria fresca

L'aria utilizzata per la combustione in qualsiasi abitazione ben isolata deve essere sostituita. Ciò è particolarmente importante nelle abitazioni con ventilazione meccanica. È possibile procurare tale aria sostitutiva in vari modi. L'aspetto più importante è fornire l'aria nell'ambiente in cui è situata la stufa. Posizionare la valvola della parete esterna più vicino possibile alla stufa e assicurarsi che possa essere chiusa quando la stufa non è in uso.

Per il collegamento della circolazione dell'aria fresca, attenersi ai regolamenti edilizi nazionali e locali.

Le cappe aspiranti o altri estrattori d'aria che funzionano nello stesso locale o spazio dell'apparecchio possono causare problemi.

Verificare che le prese d'aria presenti nel locale in cui si trova la camino non siano ostruite.

Sistema di combustione chiuso

Utilizzare il sistema di combustione chiuso della stufa se l'abitazione è a tenuta d'aria e di recente costruzione. Collegare l'aria di combustione esterna attraverso un condotto di ventilazione attraverso la parete o il pavimento.

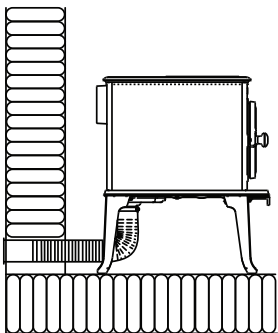
Circolazione dell'aria

Il quantitativo di aria di combustione per i prodotti Jøtul è di circa 20-40 m³/h.

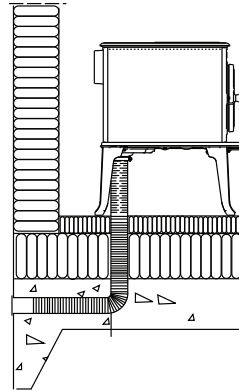
Il condotto per l'aria esterna può essere inserito direttamente in Jøtul F 602 ECO Series attraverso:

- il fondo
- attraverso un tubo flessibile di circolazione dell'aria dall'esterno/dalla canna fumaria (solo se la canna fumaria presenta un proprio condotto per l'aria esterna) diretto al connettore dell'aria esterna del prodotto.

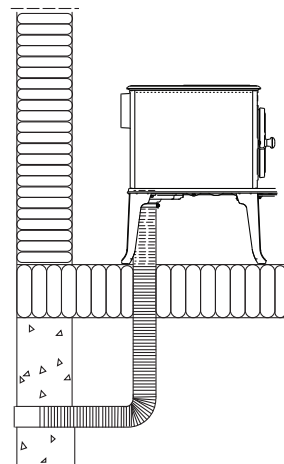
Attraverso una parete esterna



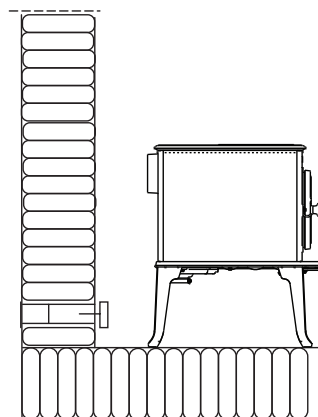
Attraverso il pavimento e la piastra di terra



Attraverso il pavimento e il basamento



Indirettamente attraverso una parete esterna



4.0 Installazione

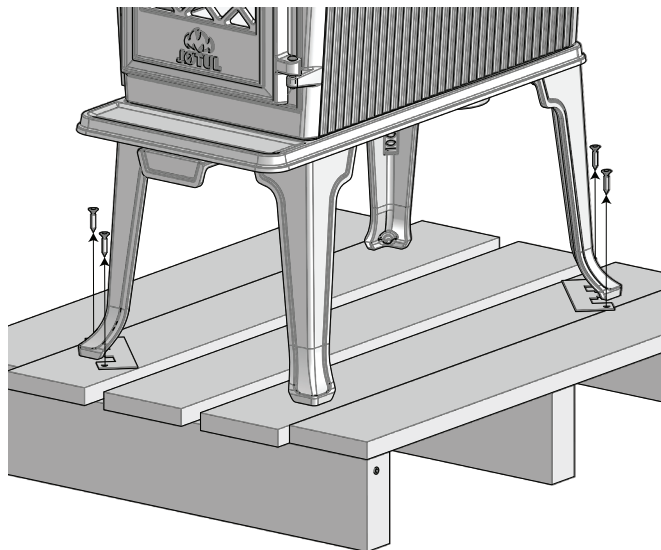
- Prima dell'installazione del camino, verificare attentamente l'assenza di eventuali segni di danneggiamento.
- Il prodotto è pesante! Chiedere aiuto a qualcuno in fase di posizionamento e installazione.
- **Assicurarsi che mobili e altri articoli domestici si trovino a distanza di sicurezza dal caminetto, per proteggerli dall'essiccazione.**
- La stufa deve essere installata in ambienti con una buona ventilazione. Una buona ventilazione è fondamentale per il corretto funzionamento della stufa.
- L'apparecchio non deve essere installato con sistemi di ventilazione che presentano una pressione inferiore a -15 Pa.
- Consigliamo di installare rilevatori di fumo in casa.
- Le distanze specificate nel manuale si applicano solo se si rispetta la quantità massima di legna da ardere.
- Esse garantiscono solo la sicurezza antincendio.
- Non vi è alcuna garanzia che i materiali da costruzione presenti possano resistere alla temperatura in relazione ai cambiamenti visivi.
- Verificare che le Normative Edilizie e qualsiasi regolamento locale siano rispettati durante l'installazione.

4.1 Prima dell'installazione

1. Il prodotto standard è contenuto in un'unica confezione.
2. Rimuovere il sacchetto delle viti e lo scarico fumi dalla stufa.
3. Una volta disimballato il prodotto, rilasciarlo dal pallet.

Assicurarsi che sia tutto conforme.

Fig. 2 Rilasciare dal pallet



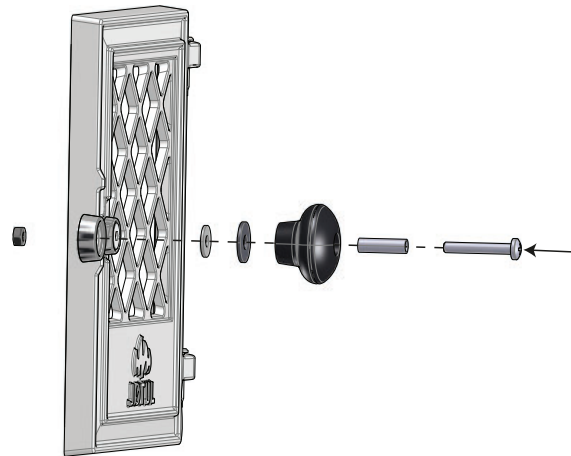
4. Rimuovere le 4 viti di trasporto

4.2 Installazione

Fig. 3a Montare la maniglia - parti

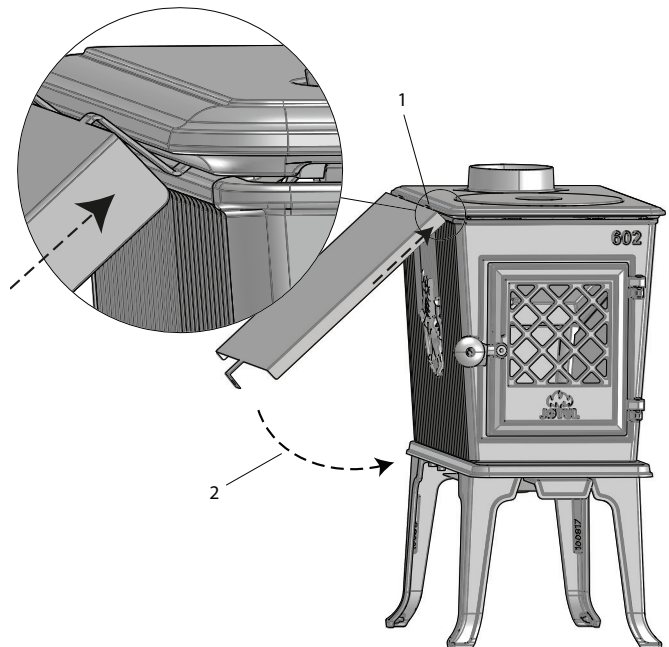


Fig. 3b Montare la maniglia



1. Montare il pomello in legno sulla maniglia della porta. Le parti sono contenute nel sacchetto delle viti.

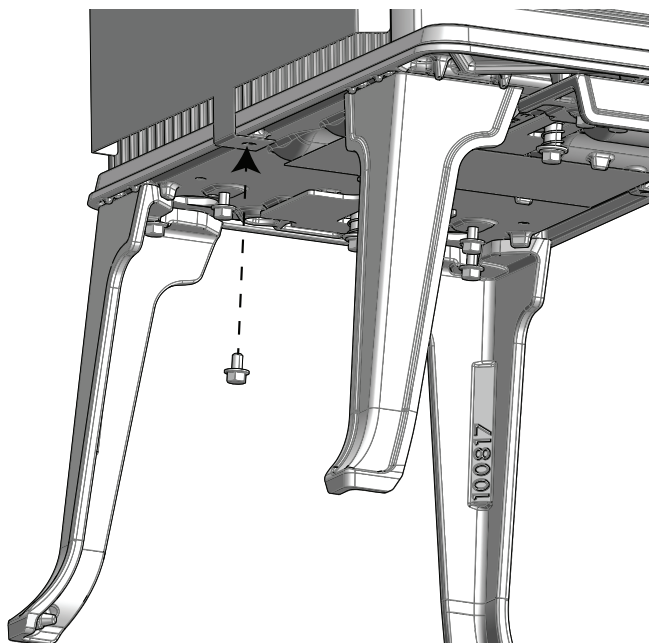
Fig. 4 Installazione dello scudo termico (accessorio opzionale)



1. Agganciare lo scudo termico alla scanalatura sotto la piastra superiore.
2. Piegare la piastra dello schermo verso il forno.
3. Lo scudo termico può essere montato sul lato destro o sinistro (possibilmente su entrambi i lati, se richiesto).

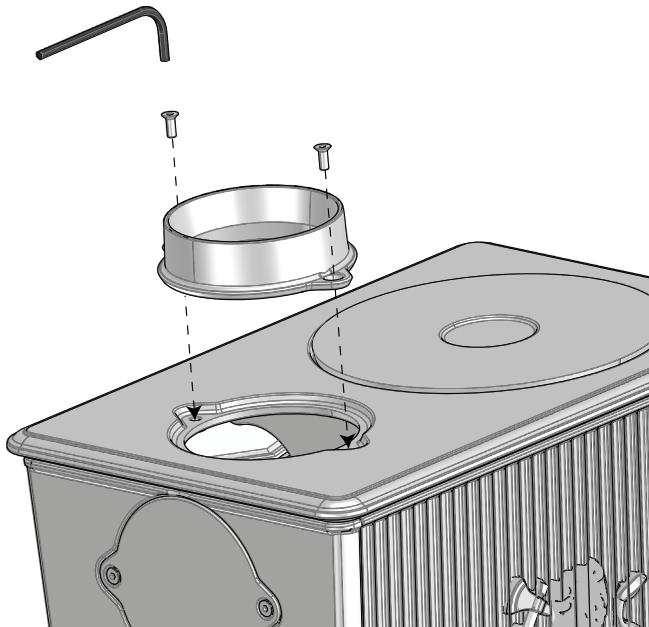
ITALIANO

Fig. 4b Fissare lo scudo termico



1. Avvitare lo scudo termico alla parte inferiore del prodotto, con la vite inclusa nel sacchetto delle viti.

Fig. 5 Montare lo scarico fumi sullo scarico superiore



1. Serrare lo scarico fumi con le viti avvitate nel prodotto di fabbrica.

Fig. 6a Cambiare da scarico superiore a scarico posteriore

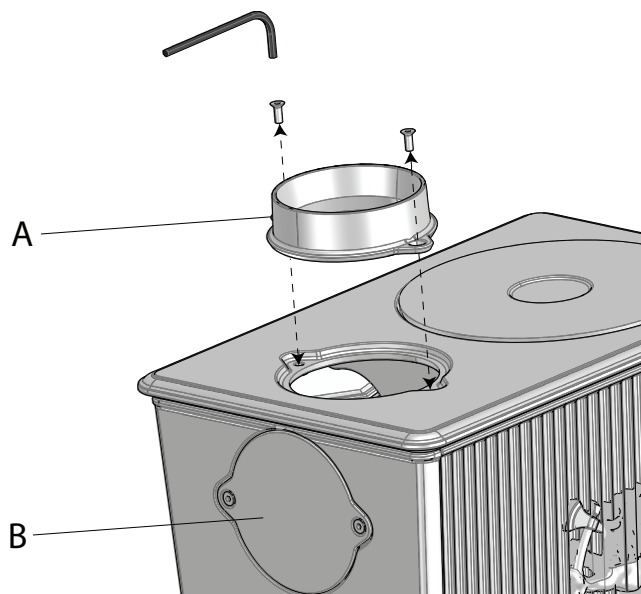
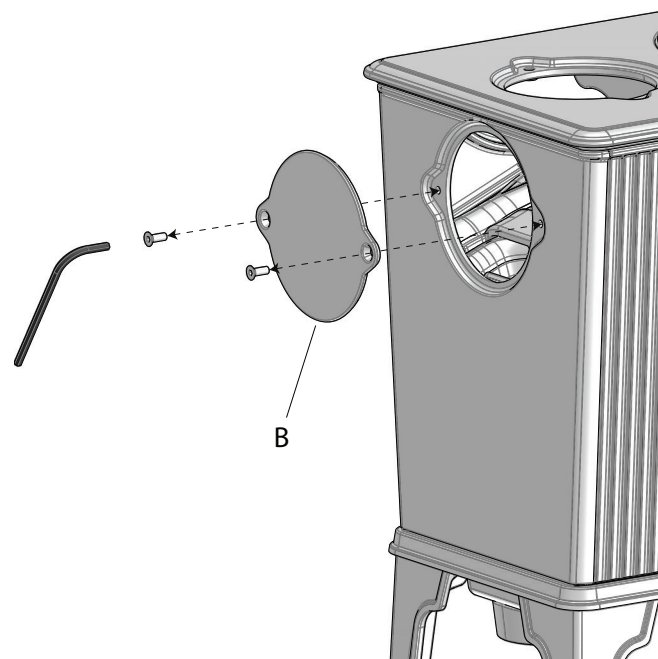


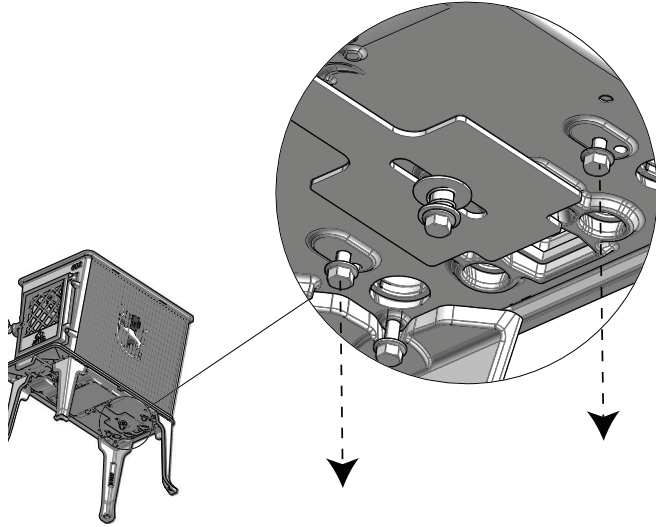
Fig. 6b



1. Invertire la posizione dello scarico fumi A (A) e la copertura dello scarico fumi (B). Svitare le due viti con una chiave a brugola.

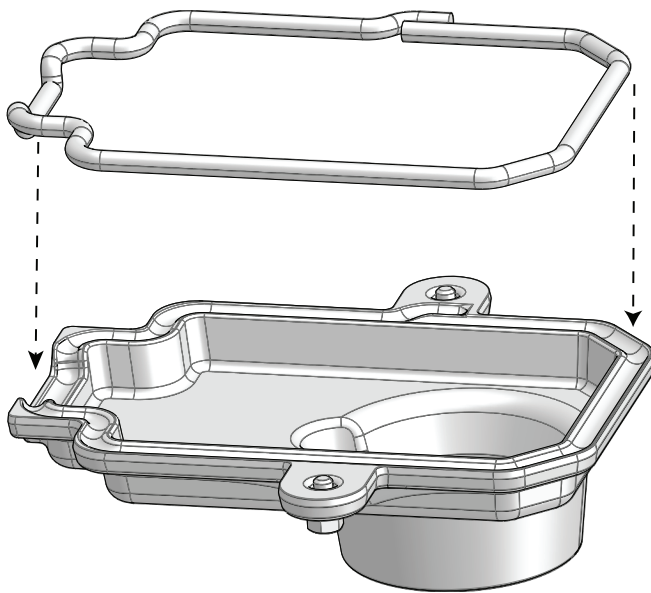
4.3 Montaggio con alimentazione dell'aria esterna (accessorio opzionale)

Fig. 7 Allentare le viti per coprire l'adattatore dell'aria esterna



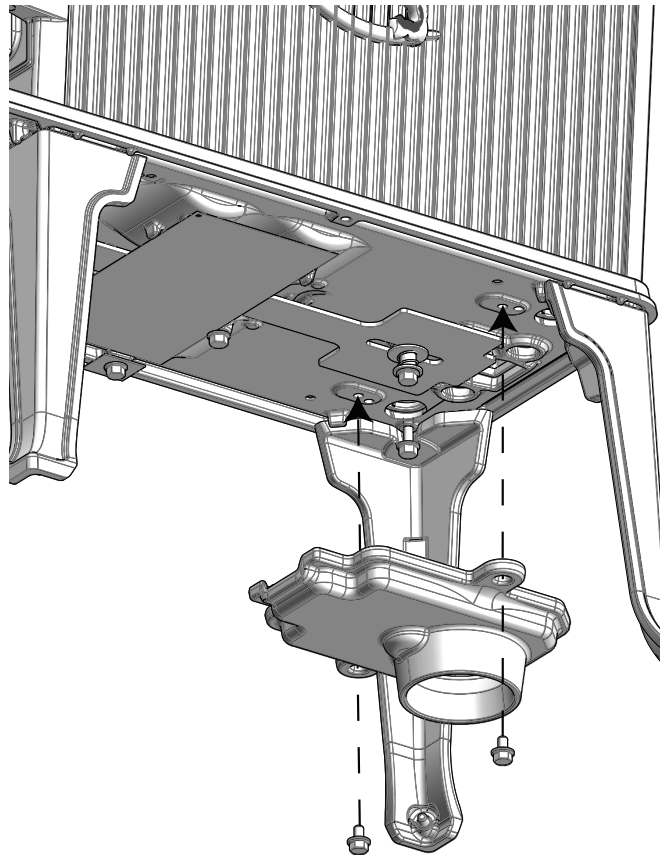
1. Le viti da utilizzare per l'adattatore dell'aria di coperta sono installate nel forno di fabbrica. Devono essere allentate e utilizzate come mostrato nella Fig. 9 se è necessario utilizzare la circolazione dell'aria fresca.

Fig. 8 Installazione della guarnizione sull'adattatore dell'aria esterna



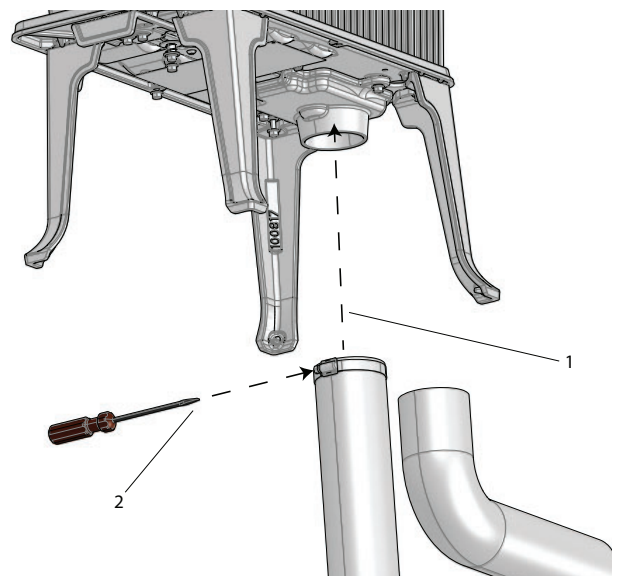
1. Rimuovere la carta protettiva dalla guarnizione in dotazione e posizionare la guarnizione nella scanalatura sulla copertura adattatore per aria esterna

Fig. 9 Montaggio della copertura della adattatore per aria esterna



1. Le viti allentate nella Fig. 7 vengono utilizzate per fissare la copertura della adattatore per aria esterna

Fig. 10 Montaggio del raccordo dell'alimentazione dell'aria esterna

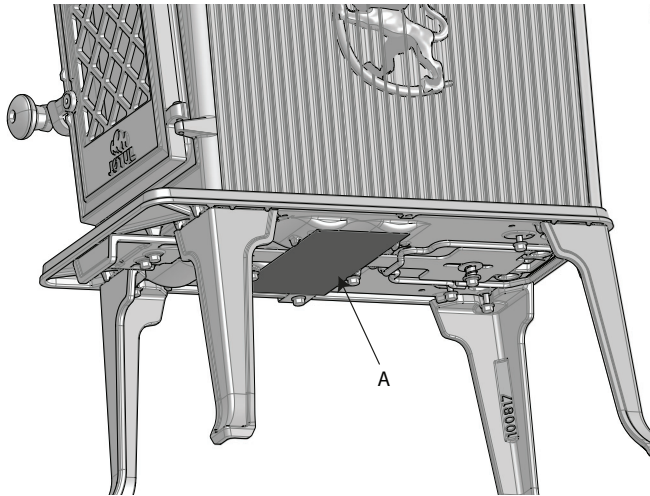


1. Posizionare il raccordo dell'alimentazione dell'aria esterna sul lato esterno della adattatore per aria esterna Funziona in modo analogo per lo scarico a parete e a pavimento.
2. Serrare con il cacciavite.

ITALIANO

4.4 Etichetta di conformità

Fig. 11 Etichetta di conformità



1. L'etichetta di approvazione (A) si trova sul fondo della stufa.

4.5 Canna fumaria e condotto

- Il caminetto deve essere collegato solo a una canna fumaria e a un condotto approvati per caminetti a combustibile solido; le temperature dei gas prodotti dal fumo sono indicate nel capitolo “2.0 Dati tecnici”.
- Per le dimensioni del condotto con la sezione trasversale rilevante, consultare il capitolo “2.0 Dati tecnici”.
- Il collegamento della canna fumaria deve essere realizzato in conformità alle istruzioni di installazione fornite dal produttore della stessa.
- Prima di praticare un foro nella canna fumaria, montare e posizionare provvisoriamente il prodotto, in modo da individuare la corretta posizione del caminetto e del foro sulla canna fumaria. Vedere la **Fig. 1** per le dimensioni minime.
- Assicurarsi che sia possibile spazzare vicino allo scarico posteriore e allo scarico superiore. Se necessario, utilizzare un condotto di scarico fumi dotato di un portello.
- È estremamente importante che i collegamenti abbiano una certa flessibilità, questo per impedire ogni movimento in fase di installazione tale da causare la formazione di crepe.
- Per il tiraggio raccomandato della canna fumaria, consultare il capitolo “2.0 Dati tecnici”.
- Quando si utilizza un condotto da fumo semi-isolato (sezione iniziale), il componente deve essere conforme almeno alla classe T 400-N1-D-Vm-L50050-G100. Per i requisiti di installazione, consultare il disegno.
- Devono essere rispettate le distanze di sicurezza relative alla funzione del camino e del condotto da fumo. Il camino deve essere certificato secondo la norma EN 13384-2:2015+A1:2019, a seconda della situazione specifica in loco.

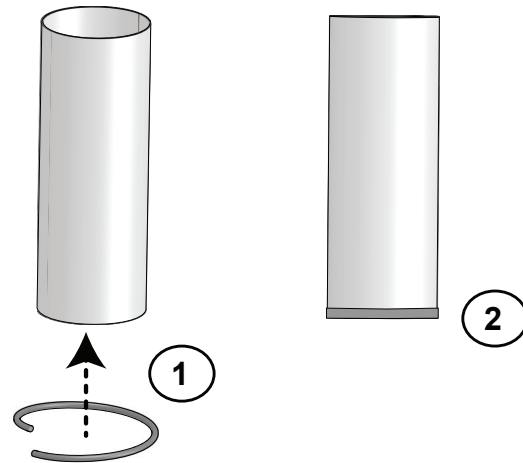
Nota: la lunghezza minima raccomandata della canna fumaria è 3,5 m dall'insero del condotto. Se il tiraggio risulta eccessivo, installare una valvola di regolazione del tiraggio.

Se è installata una valvola fumi, questa non deve bloccare completamente la canna fumaria (rifarsi alla normativa nazionale) La valvola deve essere facile da usare ed avere un'apertura come minimo di 20 cm² o il 3% della sezione. La posizione della valvola deve essere riconoscibile dall'impostazione dell'impianto. Se è montato un regolatore di tiraggio, valutare se la valvola è necessaria e la sezione minima non è più applicabile, ma il dispositivo deve essere facilmente accessibile per la pulizia.

Montaggio di un condotto di scarico fumi

Il prodotto è montato di fabbrica per uno scarico superiore.

Fig. 12 Montaggio del condotto di scarico fumi



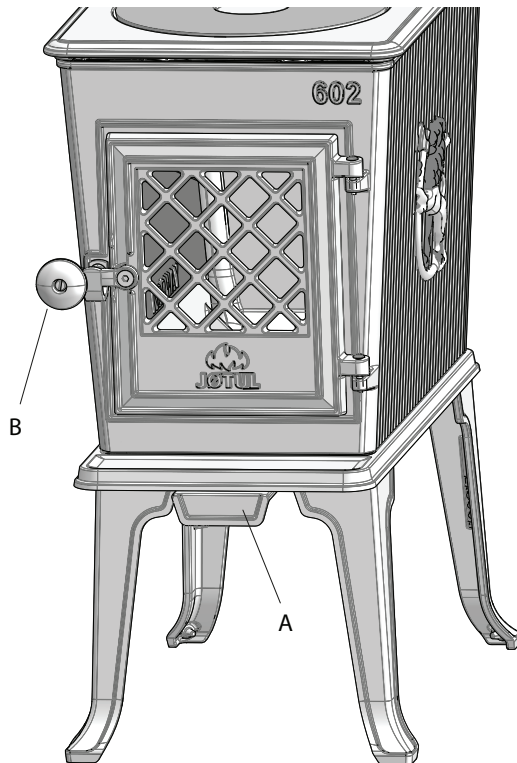
1. Estrarre la carta protettiva dalla guarnizione in dotazione e fissarla all'esterno del condotto di scarico fumi
2. Inserire il condotto nello scarico fumi.

Il condotto di scarico fumi viene installato allo stesso modo per lo scarico superiore e posteriore.

4.6 Controllo delle prestazioni

Una volta assemblato il prodotto, controllare sempre le manopole di comando. Devono muoversi facilmente e funzionare in modo soddisfacente.

Fig. 13 Jøtul F 602 ECO è dotato delle seguenti opzioni di funzionamento:

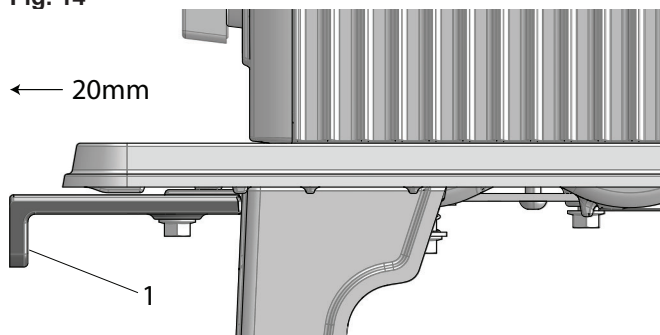


Presca d'aria e di accensione (A). Si regola in dentro e in fuori in direzione orizzontale (vedere fig. 14-16)

Maniglia della porta (B). Si apre sollevando la maniglia verso l'alto e tirando in fuori.

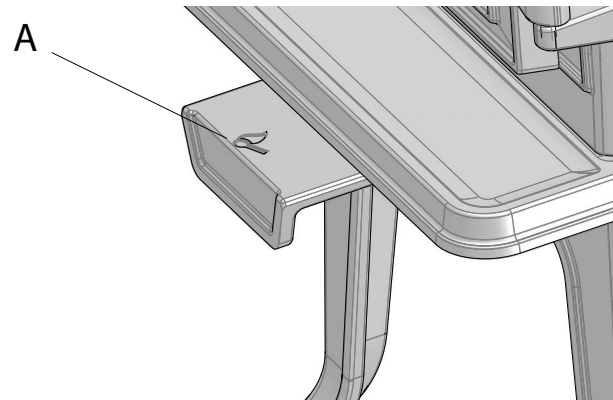
Regolazione della valvola

Fig. 14



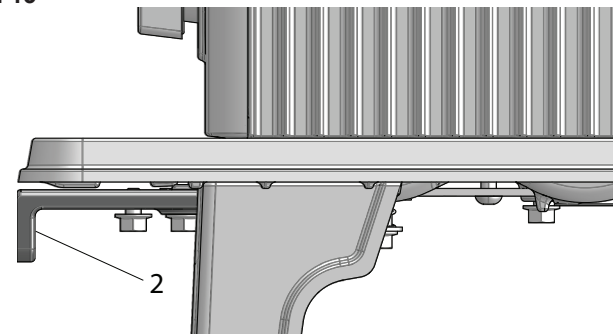
1. Estratta completamente: **Aperta** (utilizzata durante l'accensione)

Fig. 14b



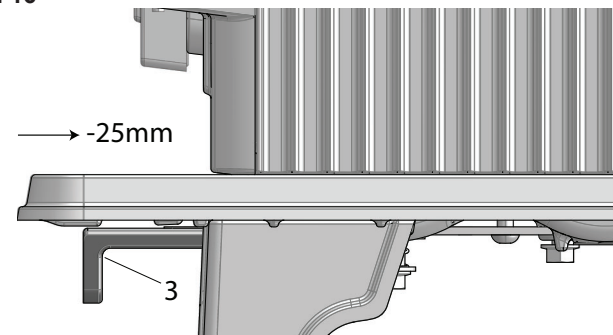
Quando il simbolo del fiammifero (A) viene visualizzato, la valvola è aperta per l'accensione.

Fig. 15



2. Da bordo a bordo con ceneraio: Aria max dopo l'accensione

Fig. 16



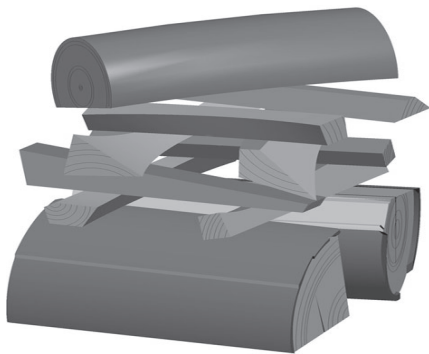
Spinta all'interno: **Chiusa**

ITALIANO

4.6 Accensione iniziale

- Aprire la presa d'aria spostandola tutta a destra / la valvola di accensione estraendo completamente la maniglia (A). Se necessario, tenere leggermente aperta la porta. (quando la maniglia è calda è opportuno utilizzare un guanto).
- Collocare due ceppi di medie dimensioni su ciascun lato della base (fig. 28). **N.B.** Al fine di evitare che il vetro si copra di fuliggine, è importante che i ciocchi non vengano sistemati in prossimità del vetro sul prodotto.
- Sistemare tra la legna dei fogli di giornale appallottolati oppure dei trucioli, aggiungervi alcune fascine disposte a incrocio e accendere i fogli di giornale.
- Aumentare gradualmente le dimensioni dei ceppi di legno.
- Infine, posiziona un tronco di media grandezza in cima alla pila.
- Regolare la presa d'aria superiore in modo da ottenere il tasso di combustione per il livello di riscaldamento desiderato (A).
- Chiudere la porta della stufa. Deve sempre essere chiusa quando si accende il fuoco.

Fig. 17



Aggiunta della legna

Alimentare frequentemente la stufa, aggiungendo solo piccoli quantitativi di combustibile alla volta. Se la stufa è troppo piena, il calore creato potrebbe causare sollecitazioni estreme della canna fumaria. Aggiungere con moderazione il combustibile al fuoco. Evitare i fuochi che bruciano senza fiamme, dato che ciò produrrà il massimo inquinamento. Un fuoco ottimale si ottiene con una buona bruciatura e un fumo in uscita dalla canna fumaria quasi invisibile.

Pericolo di surriscaldamento

Il caminetto non deve mai essere utilizzato in modo tale da causare surriscaldamento

Il surriscaldamento si verifica in presenza di un eccesso di combustibile e/o di aria, causando un calore eccessivo. Un segno evidente di surriscaldamento è la presenza di un bagliore rosso in alcune parti del caminetto. Se ciò dovesse accadere, ridurre immediatamente l'apertura della presa d'aria.

Consultare un professionista se si sospetta che la canna fumaria non presenti un tiraggio corretto (tiraggio eccessivo o scarso). Per ulteriori informazioni, consultare il capitolo "4.0 Installazione" (Canna fumaria e condotto).

Condensa

Può capitare di riscontrare fenomeni di condensa nella camera di combustione / tubi / canna fumaria. Questo dipende dall'umidità della legna o da differenze di temperature nella camera di combustione o nell'ambiente.

La condensa nella camera di combustione appare come un liquido nero. Questa deve essere rimossa per evitare danni alla colorazione del prodotto, del pavimento o del rivestimento. Per questo è importante una fase di accensione veloce che limiti la produzione di condensa.

Se l'afflusso di condensa continua si può usare della sabbia minerale sul fondo della camera di combustione.

Rimozione della cenere

- Rimuovere la cenere solo con il caminetto freddo.
- Utilizzare un badile per raschiare via la cenere, ma lasciarne sempre un po' sul fondo della camera di combustione come strato isolante protettivo.

La cenere deve essere posta fuori in un contenitore di metallo.

5.0 Utilizzo giornaliero

Odori al primo utilizzo del caminetto

Quando il caminetto viene utilizzato per la prima volta, può emettere un gas irritante dal lieve odore. Ciò si verifica perché la vernice si secca. Il gas non è tossico, tuttavia il locale deve essere ventilato approfonditamente. Lasciare bruciare il fuoco con un tiraggio elevato, fino a far scomparire ogni traccia di gas, fumo e odore.

Consiglio per l'alimentazione della stufa

Nota: i ceppi conservati all'aperto o in un locale freddo devono essere collocati all'interno 24 ore prima dell'uso, al fine di portarli alla temperatura ambiente.

Ci sono vari modi per alimentare la stufa, tuttavia è sempre importante prestare attenzione a ciò che viene collocato nella stufa. Consultare la sezione "Qualità della legna".

La bruciatura con una scarsa circolazione dell'aria può causare una combustione insufficiente, una ridotta efficienza energetica e una maggiore emissione di particelle, nerofumo e altri composti nocivi alla salute e all'ambiente..

Qualità della legna

Per "legna di qualità" si intendono tipi di legna generalmente conosciuti come la betulla, l'abete e il pino.

I ceppi devono essere asciugati, in modo che il contenuto di umidità non sia superiore al 20%.

A tal fine, si consiglia di tagliare i ceppi alla fine dell'inverno. Tagliarli e impilarli in modo da garantire una buona ventilazione. Le pile di legna devono essere coperte per proteggere i ceppi dalla pioggia. Portare i ceppi all'interno all'inizio dell'autunno e impilarli/conservarli per utilizzarli in inverno.

Prestare particolare attenzione a non utilizzare mai i seguenti materiali come combustibile per il caminetto:

- Rifiuti domestici, buste di plastica, ecc.
- Legname verniciato o impregnato (in quanto estremamente tossico).
- Assi di legno laminato.
- Cumuli di legname trasportato dalla corrente

Possono danneggiare il prodotto e sono anche inquinanti.

NB: Non usare mai benzina, paraffina, alcool metilico o liquidi simili per accendere il fuoco. Si potrebbero causare gravi lesioni a se stessi e danni al prodotto

Consumo di legna

Jøtul F 602 ECO ha una portata termica nominale di ca. **5 kW**.
 Uso di legna con una produzione nominale di calore: Circa **1,5kg/h**. Le dimensioni dei ciocchi devono essere pari a:

Fascine:

Lunghezza: 25-33 cm

Diametro: 5 cm

Quantità per un'accensione: 5-8 pezzi

Legna da ardere (spaccata):

Lunghezza: Ca 19 - 33 cm

Diametro: circa 4-7 cm

Intervalli di aggiunta della legna: circa ogni 50 minuti

Aumento della fiamma: 1.4 kg

Quantità per carica: 2 pezzi

I risultati dei test dati sono stati ottenuti caricando 2 ciocchi di legna di 19 cm, peso totale di 1,4 kg. I ciocchi sono disposti trasversalmente. Valvola regolata per circa il 40% d'aria, circa 10 mm in dentro rispetto al bordo.

5.1 Come vento e agenti atmosferici influiscono sulla stufa

Le performance della stufa possono essere influenzate notevolmente dal vento che agisce sul camino con una forza diversa. Pertanto può essere necessario regolare l'alimentazione dell'aria per garantire buone performance di combustione. Inoltre può essere utile montare una valvola di tiraggio nel tubo di scarico, in modo da regolare il tiraggio del camino in base alla forza del vento.

Nebbia e foschia possono avere un impatto significativo sul tiraggio del camino e può essere necessario utilizzare impostazioni dell'aria di combustione per garantire buone performance.

5.2 Canna fumaria

La canna fumaria è il motore che aziona il camino ed è essenziale possedere una buona canna fumaria perché il focolare funzioni correttamente.

Il tiraggio nella canna fumaria crea un vuoto nella stufa. Tale vuoto estrae il fumo dalla stufa e aspira aria attraverso il parafiamma dell'aria di combustione per alimentare il processo di combustione.

L'aria di combustione viene anche utilizzata per il sistema di lavaggio ad aria che mantiene pulita la finestra dalla fuliggine.

Il tiraggio nella canna fumaria è causato dalla differenza di temperatura all'interno e all'esterno della canna fumaria. Maggiore è la differenza di temperatura, migliore sarà il tiraggio nella canna fumaria. Pertanto è importante consentire alla canna fumaria di raggiungere la temperatura operativa prima di regolare le prese d'aria per limitare la combustione nella stufa (una canna fumaria in muratura richiede più tempo per raggiungere la temperatura operativa rispetto ad una canna fumaria in acciaio).

È particolarmente importante raggiungere la temperatura operativa il più rapidamente possibile nei giorni in cui il tiraggio della canna fumaria non è ideale a causa di condizioni di vento e clima sfavorevoli. Assicurarsi che il combustibile si accenda il più rapidamente possibile. Suggerimento pratico: Tagliare la legna in pezzi molto più piccoli e utilizzare un'esca per il fuoco aggiuntiva.

Nota: Se la stufa non è stata utilizzata per diverso tempo, è importante verificare l'assenza di eventuali ostruzioni nel tubo della canna fumaria.

5.3 Indicazioni generali

- Indossare un guanto quando si maneggia la stufa
- Non versare mai la cenere in un contenitore infiammabile. Anche dopo la fine della combustione, la brace può rimanere calda a lungo
- Tenere la camera di combustione chiusa, tranne durante l'accensione, il rifornimento e la rimozione dei residui, per evitare fuoriuscite di fumo
- Mantenere libere da ostruzioni le prese d'aria di ingresso e di uscita mentre la stufa è in funzione
- Quando la stufa non è in funzione, le valvole di tiraggio possono essere chiuse per evitare correnti d'aria attraverso la stufa
- Se la stufa non è stata utilizzata per un lungo periodo, verificare che non ci siano ostruzioni nei condotti del fumo prima dell'accensione
- Si consiglia di non utilizzare la stufa durante la notte. La stufa non è adatta a questo scopo

6.0 Manutenzione

6.1 Pulizia del vetro

Il prodotto dispone del sistema di pulizia ad aria del vetro. Attraverso la presa d'aria, l'aria viene risucchiata nella parte superiore del camino e spinta verso il basso lungo la parte interna del vetro.

Sarà comunque inevitabile l'accumulo di un po' di fuliggine sul vetro, la cui quantità dipenderà dalle condizioni di tiraggio locale e dalla regolazione della presa d'aria. La maggior parte della fuliggine verrà normalmente bruciata quando si apre completamente la presa d'aria mentre il fuoco brucia vivacemente nel camino.

Suggerimento utile! Per la pulizia generale, utilizzare carta da cucina inumidita con acqua calda e aggiungere della cenere presa dalla camera di combustione. Pulire il vetro con la carta, quindi risciacquarlo con acqua pulita e asciugarlo completamente. Se fosse necessario pulire il vetro più a fondo, utilizzare un detersivo per vetri (seguire le istruzioni riportate sul flacone).

ITALIANO

6.2 Pulizia e rimozione della fuliggine

I depositi di fuliggine possono accumularsi sulle superfici interne del caminetto durante l'uso. La fuliggine è un buon isolante, pertanto riduce la potenza termica del caminetto. Se si accumulano depositi di fuliggine durante l'utilizzo del prodotto, per rimuoverli è sufficiente utilizzare un detergente specifico.

Al fine di impedire la formazione di acqua e di uno strato di pece liquida nel caminetto, consentire regolarmente la presenza di fiamme particolarmente calde per rimuovere lo strato. È richiesta una pulizia interna annuale per ottenere i migliori risultati termici dal prodotto. Si consiglia di effettuarla insieme alla pulizia della canna fumaria e dei condotti.

6.3 Pulizia dei condotti alla canna fumaria

I condotti devono essere spazzati attraverso l'apposito portello o l'apertura della porta. In genere, occorrerà rimuovere il paraflamma.

6.4 Ispezione del caminetto

Jøtul raccomanda di ispezionare attentamente il proprio caminetto dopo averlo spazzato e pulito. Controllare tutte le superfici visibili per individuare eventuali crepe. Controllare anche che tutti i giunti siano sigillati e che tutte le guarnizioni siano nelle posizioni corrette. Qualsiasi guarnizione che mostri segni di usura o deformazione deve essere sostituita.

Pulire accuratamente le scanalature delle guarnizioni, applicare della colla per ceramica (disponibile presso il proprio rivenditore Jøtul locale) e premere la guarnizione in posizione. Il giunto si asciugherà rapidamente.

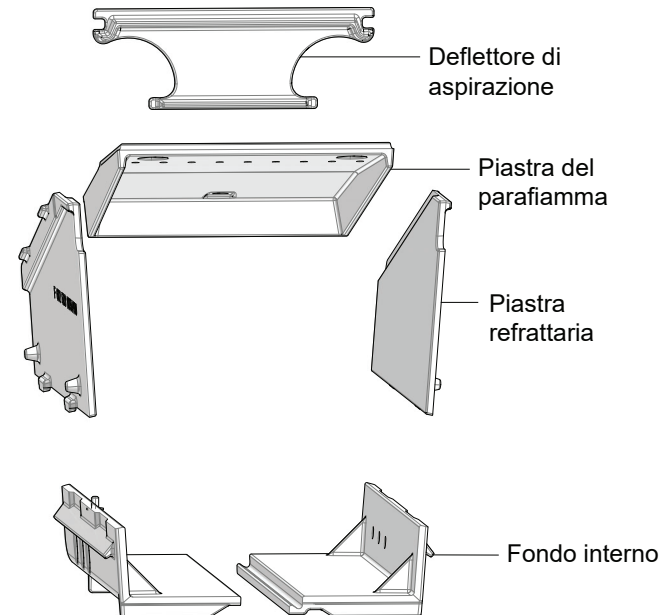
6.5 Manutenzione esterna

Il colore dei prodotti verniciati può alterarsi dopo svariati anni di utilizzo. La superficie deve essere pulita e spazzolata in modo da rimuovere ogni residuo prima di applicare la nuova vernice.

7.0 Assistenza

È vietata ogni modifica non autorizzata al prodotto. Utilizzare solo ricambi originali.

Fig. 18

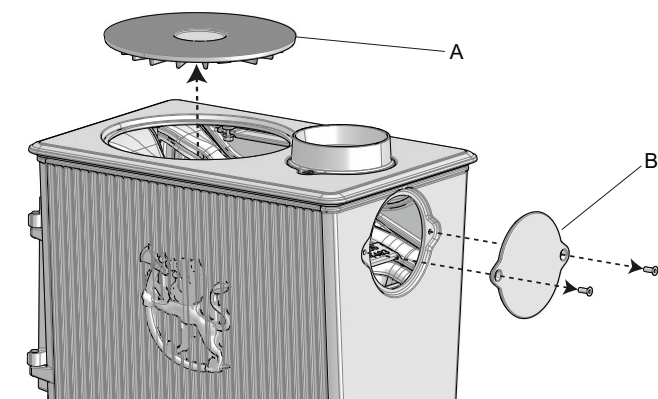


7.1 Sostituzione di componenti nella camera di combustione

Utilizzare gli utensili con grande attenzione.

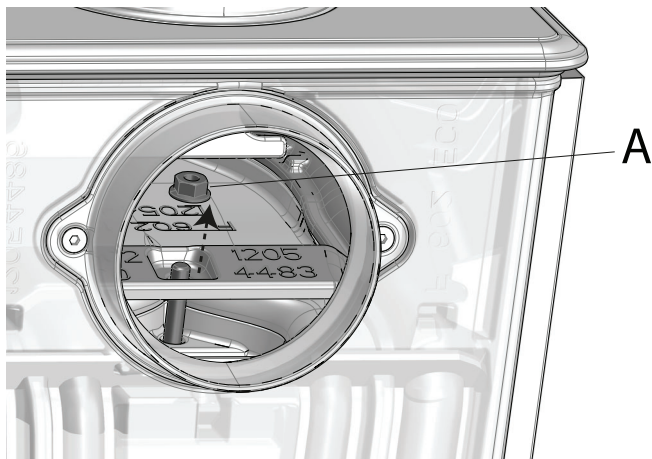
Sostituzione della piastra del paraflamma

Fig. 19 Rimozione della piastra e della copertura dello scarico fumi



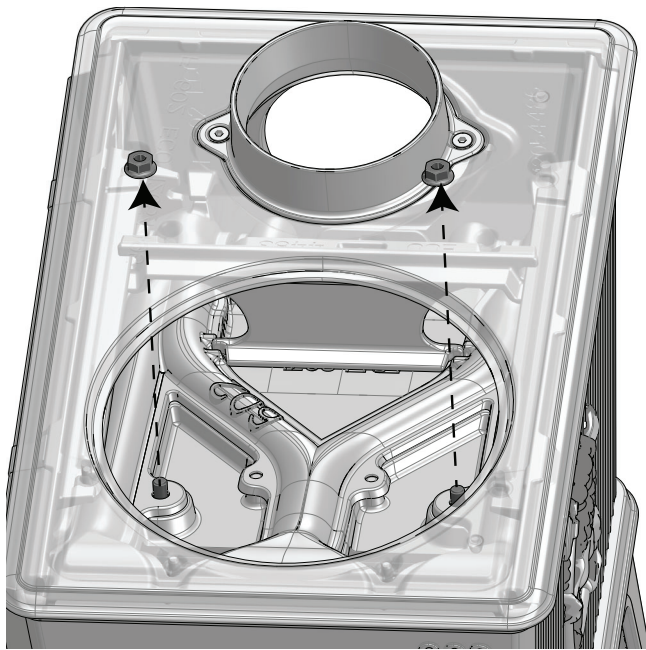
1. Sollevare la piastra (A)
2. Svitare la copertura dello scarico fumi (B)

Fig. 20 Allentare i dadi sulla piastra del paraflamma



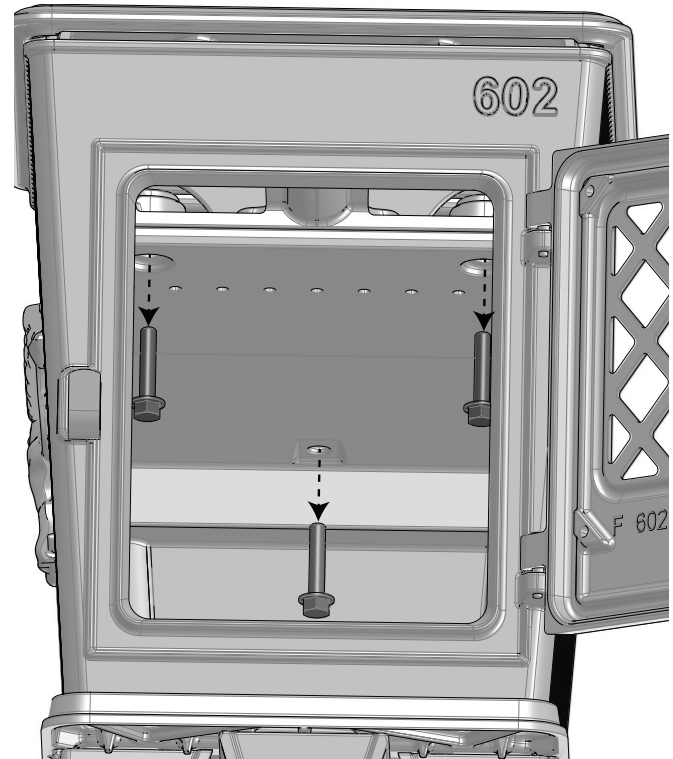
3. Allentare il dado (A) sulla parte superiore/posteriore della piastra del parafiamma

Fig. 21 Allentare i dadi sulla piastra del parafiamma



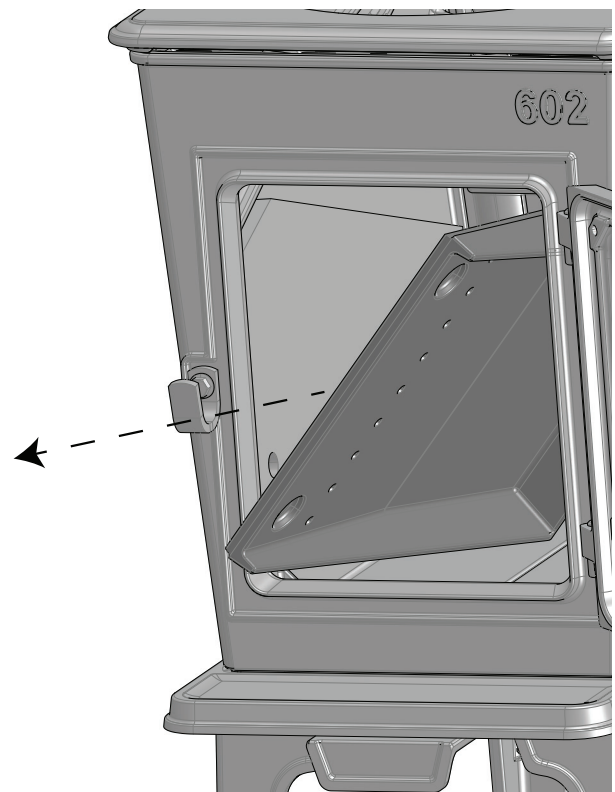
4. Allentare i due dadi sulla parte superiore della piastra del parafiamma
5. Rimuovere la piastra refrattaria sinistra e destra (vedere fig. 25)

Fig. 22 Svitare le viti nella piastra del parafiamma



6. Svitare le tre viti che fissano la piastra del parafiamma in posizione.

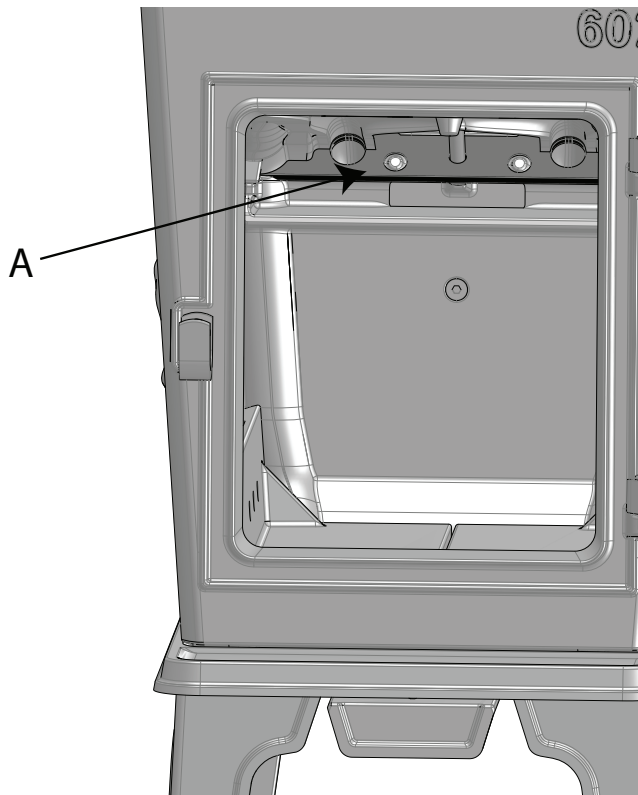
Fig. 23 Rimozione della piastra del parafiamma



7. Inclinare la piastra del parafiamma ed estrarla dalla stufa.
8. Per reinserire i componenti estratti, seguire la stessa procedura in ordine inverso. (vedere prima la fig. 24)

ITALIANO

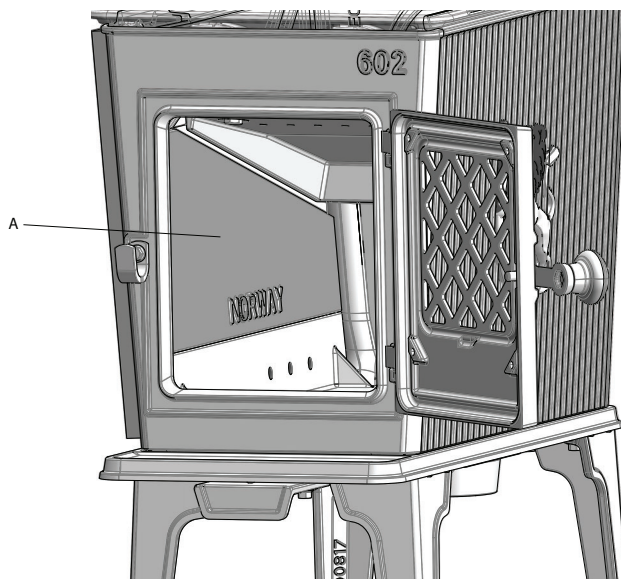
Fig. 24 Sostituire la guarnizione contro la piastra posteriore



9. La guarnizione (A) si romperà durante la rimozione della piastra del parafiamma. Deve essere sostituita da stucco / polpa di fibra di cellulosa durante il rimontaggio di una nuova piastra del parafiamma.

7.2 Sostituzione delle piastre refrattarie /del fondo interno

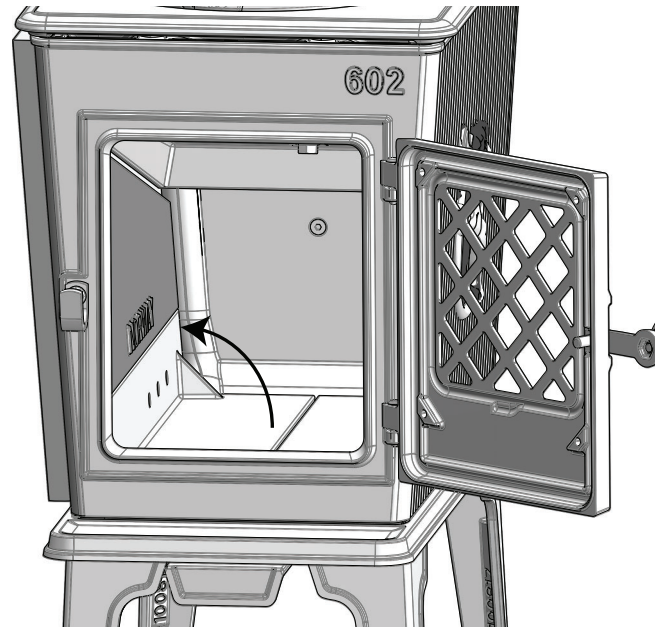
Fig. 25 Sostituzione delle piastre refrattarie



1. Rimuovere la piastra refrattaria (A) sollevandola e inclinandola

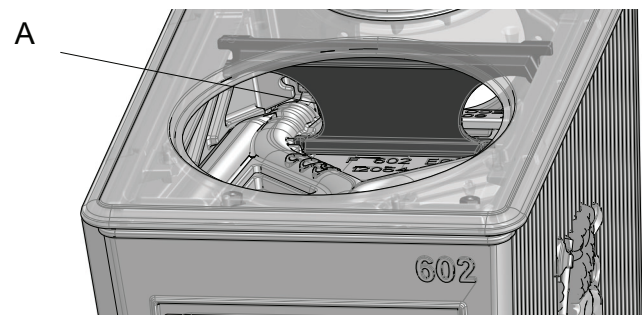
per estrarla dalla stufa. Questa operazione si esegue su entrambi i lati della camera di combustione. Per reinserire i componenti estratti, seguire la stessa procedura in ordine inverso.

Fig. 26 Sostituzione del fondo interno



1. Inclinare verso l'alto il fondo interno sinistro, quindi estrarlo inclinandolo dalla stufa. Ripetere l'operazione per il fondo interno destro. Per reinserire i componenti estratti, seguire la stessa procedura in ordine inverso.

Fig. 27 Sostituzione del deflettore di scarico



1. Rimuovere la piastra (vedere fig. 19)
2. Sollevare il deflettore di scarico (A) dalla scanalatura ed estrarlo inclinandolo.
3. Per reinserire i componenti estratti, seguire la stessa procedura in ordine inverso

8.0 Risoluzione dei problemi

Scarso tiraggio

Verificare la lunghezza della canna fumaria e la conformità alle norme nazionali (per informazioni, vedere anche le sezioni «**2.0 Dati tecnici**» e «**4.0 Installazione**» (Canna fumaria e condotto) nel manuale di installazione).

Accertarsi che la sezione trasversale minima della canna fumaria sia conforme a quanto riportato nella sezione «**2.0 Dati tecnici**» del manuale di installazione.

Verificare che non ci sia nulla che impedisca il deflusso del fumo: rami, alberi e così via.

Se si sospetta un tiraggio eccessivo o insufficiente della canna fumaria, rivolgersi a un tecnico specializzato per la misurazione e la regolazione.

Il camino e spegnimento del fuoco

- Accertarsi che la legna sia sufficientemente secca.
- Verificare che ci sia una pressione negativa nella stanza, spegnere le ventole meccaniche e aprire una finestra nelle vicinanze del camino.
- Controllare che la presa d'aria sia aperta.
- Controllare che il condotto di scarico dei fumi non sia intasato dalla fuliggine.

Accumulo anomalo di fuliggine sul vetro

È inevitabile che si accumuli della fuliggine sul vetro, ma la sua quantità dipende da:

- Umidità del combustibile.
- Condizioni di tiraggio del locale.
- Apertura della presa d'aria.

Gran parte della fuliggine viene normalmente bruciata quando la presa d'aria è completamente aperta e il fuoco arde vivacemente nel camino.

9.0 Accessori opzionali

9.1 Coperchio aria esterna

codice art 10055054

9.2 Scudo termico

codice art 10054507

9.3 Piastra Ø125

codice art 51054941

9.4 Adattatore per aria esterna

codice art 51054938

9.5 Kit di alimentazione dell'aria esterna Ø80

codice art 51047509

10.0 Riciclaggio

10.1 Riciclaggio dell'imballo

Ogni caminetto viene fornito all'interno del seguente imballo:

- Un pallet di legno che può essere tagliato e bruciato nel caminetto.
- Un imballo in cartone riciclabile da consegnare alle strutture di riciclaggio locali.
- Buste in plastica riciclabili da consegnare alle strutture di riciclaggio locali.

10.2 Riciclaggio del caminetto

Il caminetto è composto dai seguenti materiali:

- Metallo riciclabile da consegnare alle strutture di riciclaggio locali.
- Vetro da smaltire come rifiuto pericoloso. Il vetro contenuto nel caminetto non deve essere collocato in un normale contenitore per rifiuti domestici.
- Piastre refrattarie in vermiculite da smaltire nei normali contenitori per rifiuti domestici.

11.0 Termini della garanzia

1. La nostra garanzia copre:

Jøtul AS garantisce che i componenti esterni in ghisa sono esenti da difetti di materiali o lavorazione al momento dell'acquisto. È possibile estendere la garanzia per i componenti esterni in ghisa fino a 25 anni dalla data di consegna registrando il prodotto sul sito jotul.com e stampando la scheda di garanzia estesa entro tre mesi dall'acquisto. Consigliamo di conservare la scheda della garanzia assieme allo scontrino. Jøtul AS garantisce inoltre che i componenti delle piastre in acciaio sono esenti da difetti di materiali o lavorazione al momento dell'acquisto per un periodo di 5 anni dalla data di consegna.

La garanzia è valida a condizione che la stufa sia stata installata da un installatore qualificato conformemente con le leggi e normative applicabili e con le istruzioni di installazione e operative di Jøtul. I prodotti riparati e gli articoli sostitutivi sono garantiti per il periodo originale della garanzia.

2. La garanzia non copre:

- 2.1. Danni ai consumabili come le piastre refrattarie, le grate del fuoco, i parafiamma, le guarnizioni ed elementi simili, essendo soggetti a deterioramento nel tempo a causa della normale usura
- 2.2. Danni causati da manutenzione impropria, surriscaldamento, uso di combustibile non idoneo (esempi di combustibili non idonei sono, senza limitazione, cumuli di legname trasportato dalla corrente, legna impregnata, ritagli di assi, truciolato) o legna troppo umida/bagnata
- 2.3. Installazione di accessori opzionali per la modifica delle condizioni di tiraggio locali, la circolazione dell'aria o altre circostanze al di fuori del controllo di Jøtul
- 2.4. Casi di alterazione / modifica del focolare senza il previo consenso di Jøtul o l'utilizzo di parti non originali
- 2.5. Danni causati durante l'immagazzinaggio presso un distributore, il trasporto dal distributore o durante l'installazione
- 2.6. Prodotti venduti da rivenditori non autorizzati in aree in cui Jøtul opera un sistema di distribuzione selettiva
- 2.7. Costi associati (ad es., senza limitazione, trasporto,

manodopera, trasferimento) o danni indiretti

Stufe a pellet, vetro, pietra, cemento, smalto e finitura a vernice (ad es., senza limitazione, scheggiatura, formazione di crepe, bolle o scolorimento e screpolatura) sono applicabili alle normative nazionali che disciplinano la vendita dei prodotti al consumo. La presente garanzia è valida per gli acquisti effettuati all'interno del territorio dello Spazio economico europeo. Qualsiasi domanda relativa alla garanzia deve essere rivolta al rivenditore Jøtul autorizzato di zona entro un periodo di tempo ragionevole, non successivo a 14 giorni dalla data in cui il guasto o il difetto si sono manifestati per la prima volta. Vedere l'elenco dei rivenditori sul nostro sito Web.jotul.com.

Se Jøtul non sarà in grado di rispettare i termini della garanzia per la stufe del cliente (fuori produzione), Jøtul offrirà al cliente una stufa di pari capacità di riscaldamento ma di modello differente.

Jøtul si riserva il diritto di rifiutare qualsiasi sostituzione di componenti o attività di assistenza nel caso in cui la garanzia non sia stata registrata online. La presente garanzia non pregiudica alcun diritto previsto dalle normative nazionali che disciplinano la vendita di prodotti al consumo. Il diritto di reclamo del cittadino è valido dalla data di acquisto e solo dietro presentazione di scontrino/numero di serie.

Information to Enable Better Reproduction of Tests:

Information to enable better reproduction of tests:
Refueling criteria used at the ITT: Mass is the default criteria.
Make an explanatory note if CO₂ is used instead.

Basic fire bed from the beginning of the test: 480 grams
Average CO₂ value at refueling: 7.2 % (always, regardless of the refueling criteria)
Average increment of the BFB from one refueling to the other: 50 grams

For output testing the door was closed immediately after refuelling and the secondary air supply was slowly set for approx. 46% after 2:30 minutes after refuelling time until the end of the burn cycle.

Refuelling interval 50 min.

Nominal output test:



The stove on the test rig, output test



The output test fuel load

Wood Specifications:

1.19 kg birch wood in total, distributed among two wood.
The wood logs were placed at the bottom, angular to the loading door

Safety test



The stove on the test rig, safety test



Placement of the fuel load in the firebox

2.26 kg in total, distributed among three pieces of timber each 350 mm long and six pieces of lumber each 170 mm long. The cross dimension is 50×50 mm nominal measure.

The safety test fuel load is placed with the longest cribs at the bottom and in parallel with the loading door.

Jøtul arbeider kontinuerlig for om mulig å forbedre sine produkter, og vi forbeholder oss retten til å endre spesifikasjoner, farger og utstyr uten nærmere kunngjøring.

Jøtul AS arbejder kontinuerlig med om mulig at forbedre sine produkter, og vi forbeholder os ret til at endre specifikationer, farver og udstyr uden nærmere kundgjøring.

Jøtul arbetar kontinuerligt för om möjligt kunna förbättra sina produkter, och vi förbehåller oss rätten att ändra specifikationer , färger och tillbehör utan att meddela.

Jøtul kehittää jatkuvasti tuotteitaan. Pidätämme siksi oikeuden tehdä muutoksia tuotteiden tietoihin, väreihin ja varusteisiin ilman erillistä ilmoitusta

Kvalitet

Vår kvalitetspolitikk skal gi kundene den trygghet og kvalitetsopplevelse som Jøtul har stått for siden bedriftens historie startet i 1853.

Kvalitet

Vores kvalitetspolitik skal give kunderne den tryghed og kvalitetsopplevelse som Jøtul har stået for siden virksomhedens historie startet i 1853.

Kvalitet

Vår kvalitetspolitik skall ge kunderna trygghet och kvalitetsupplevelse som Jøtul har stått för sedan företaget startade 1853.

Laatu

Laatua koskevien menettelytapojemme tulee antaa asiakkaillemme kokemus siitä turvallisuudesta ja laadusta, josta Jøtul on tunnettu perustamisestaan, vuodesta 1853, lähtien.

