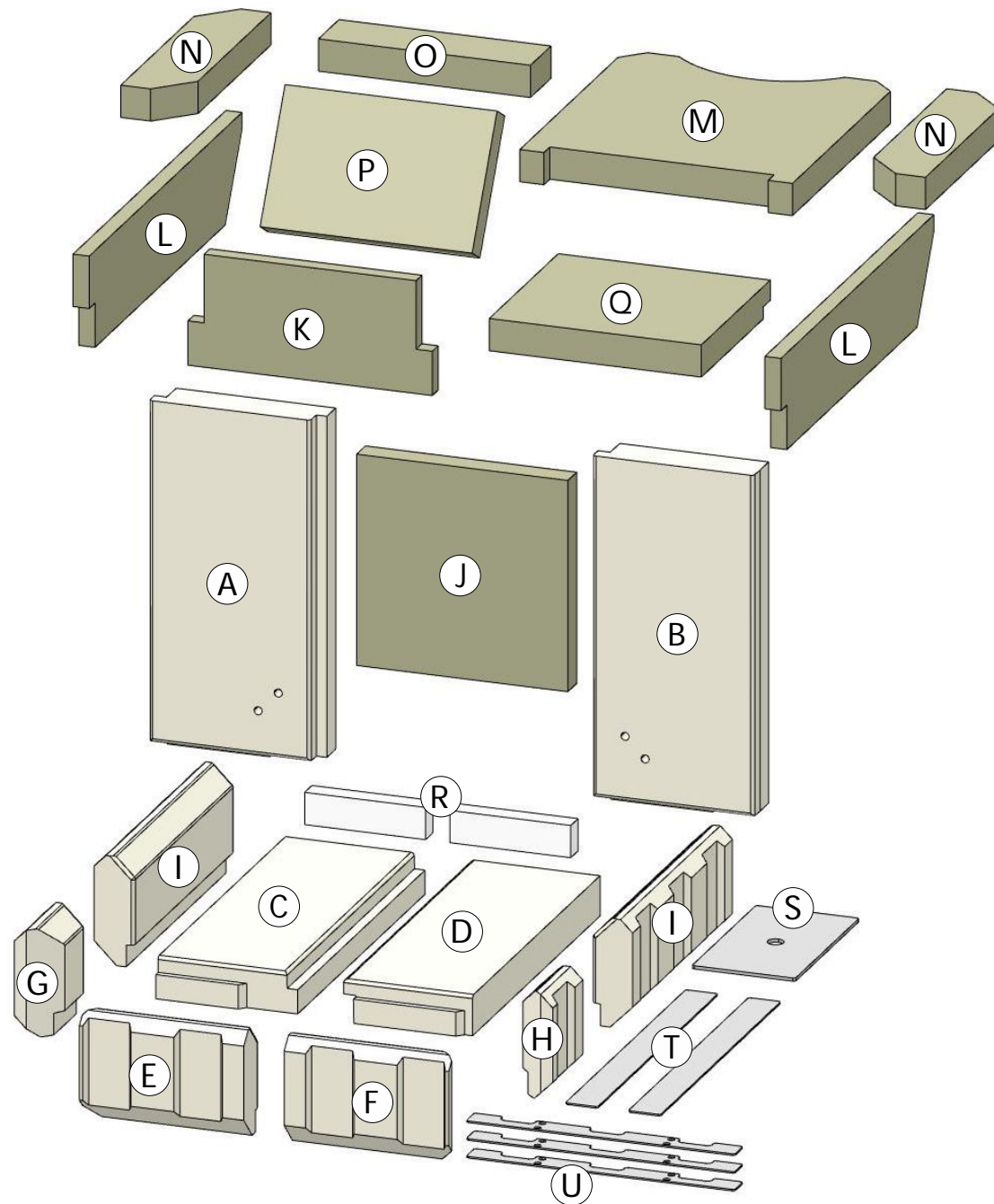
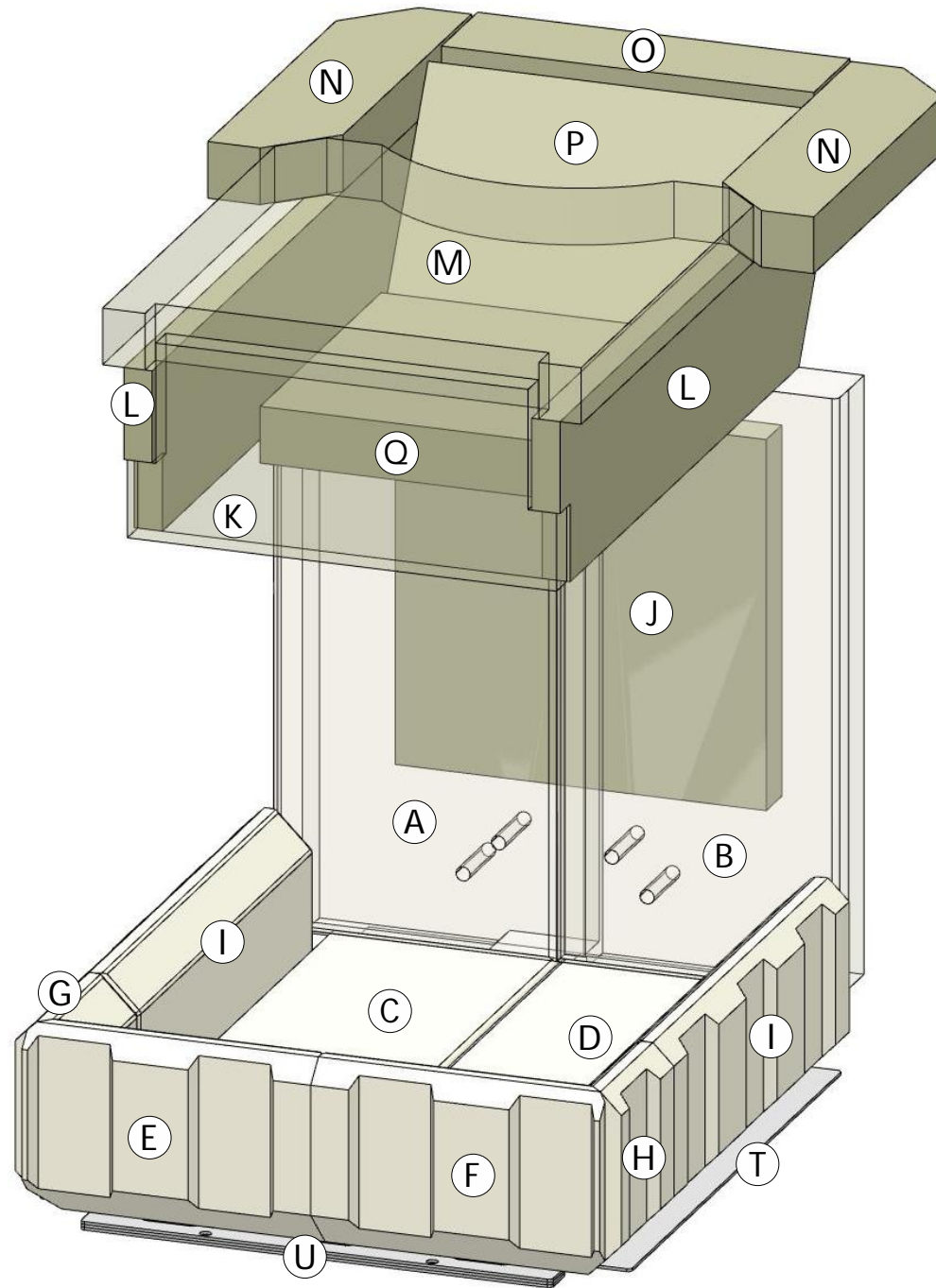


# Fireclay chamber - Schamottekammer - Šamotová komora

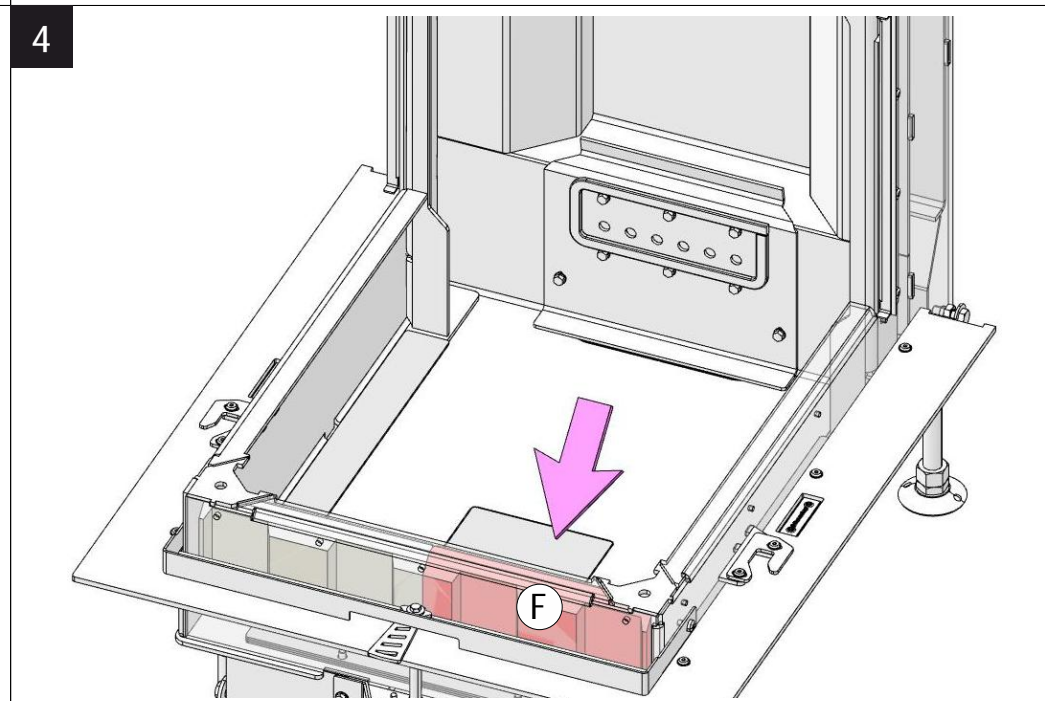
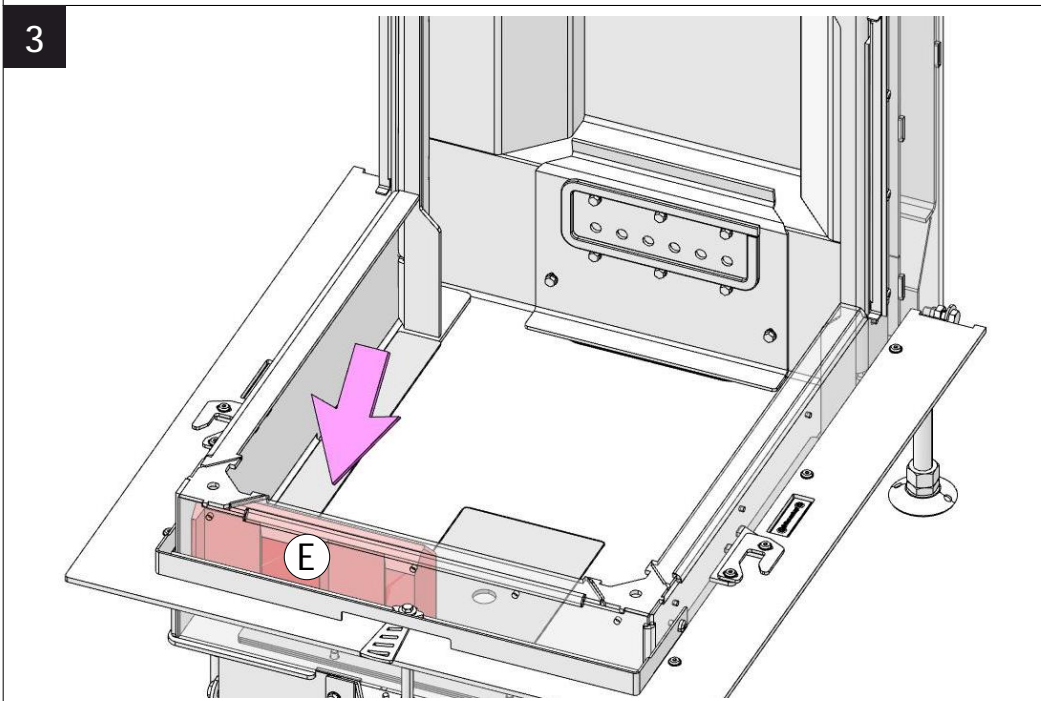
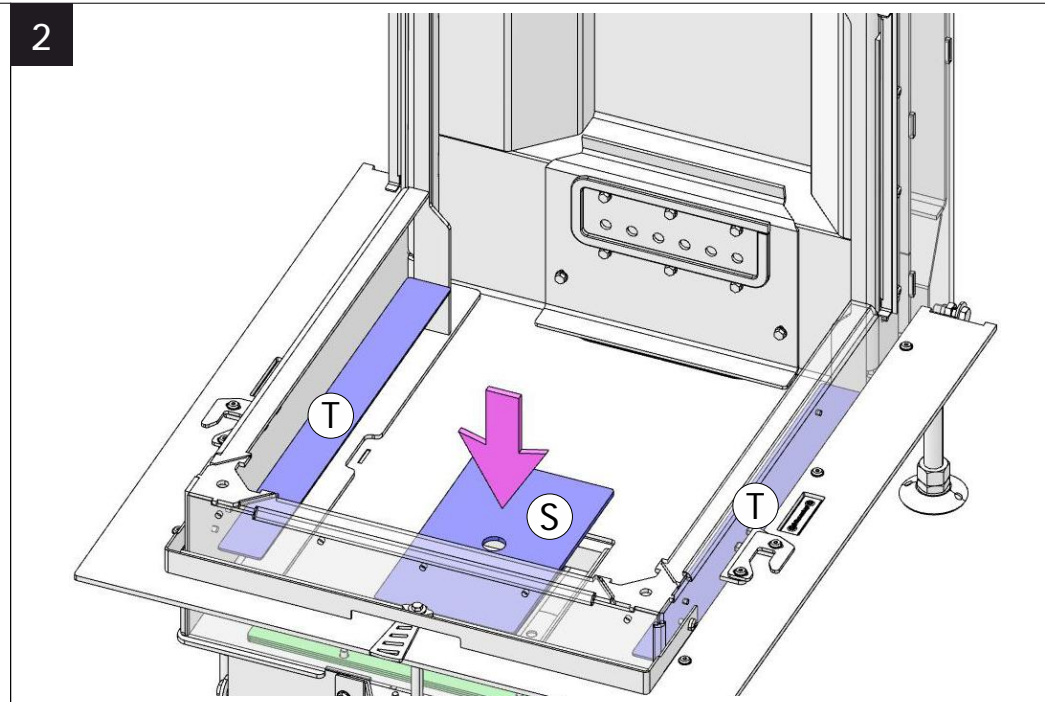
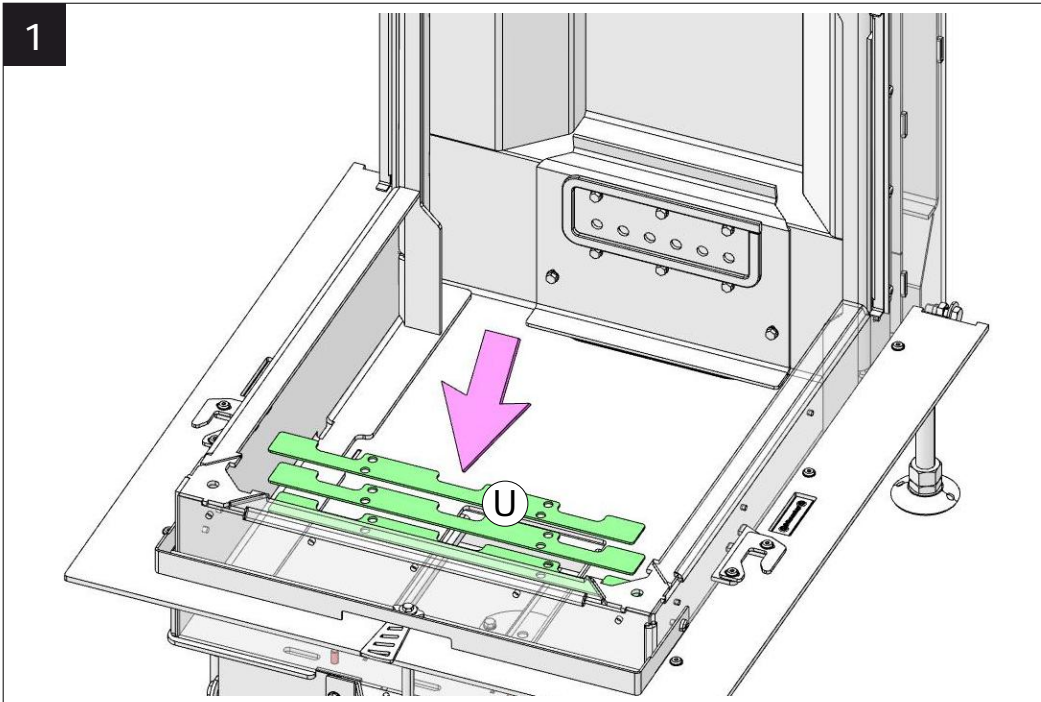
**DYNAMIC U 3G S 56.44.57.21 K1**

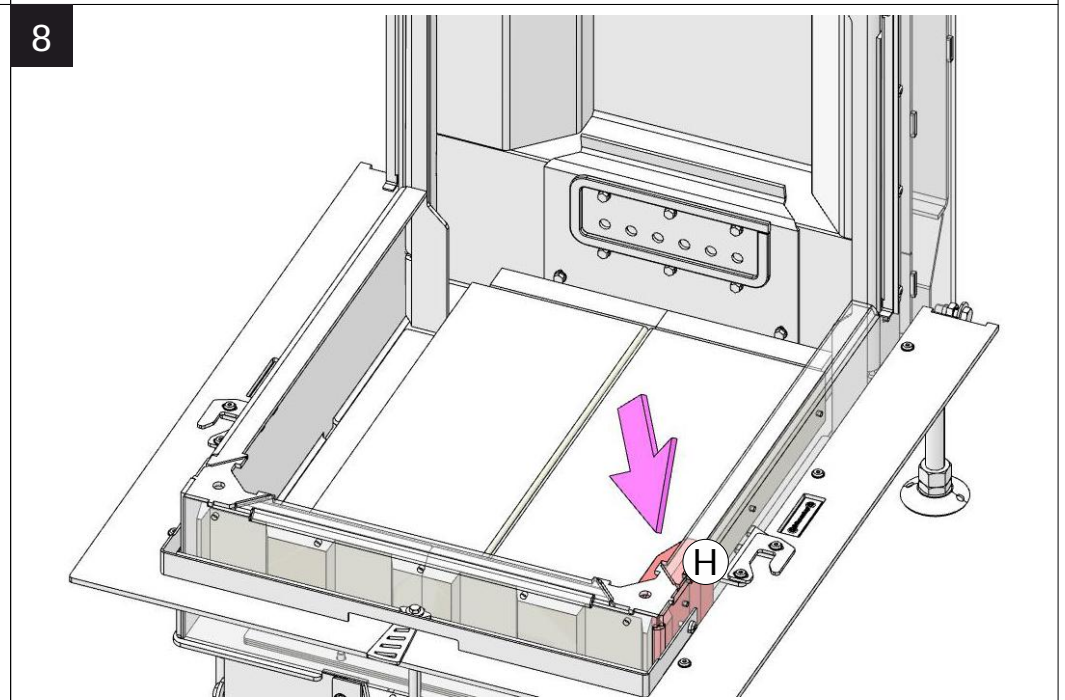
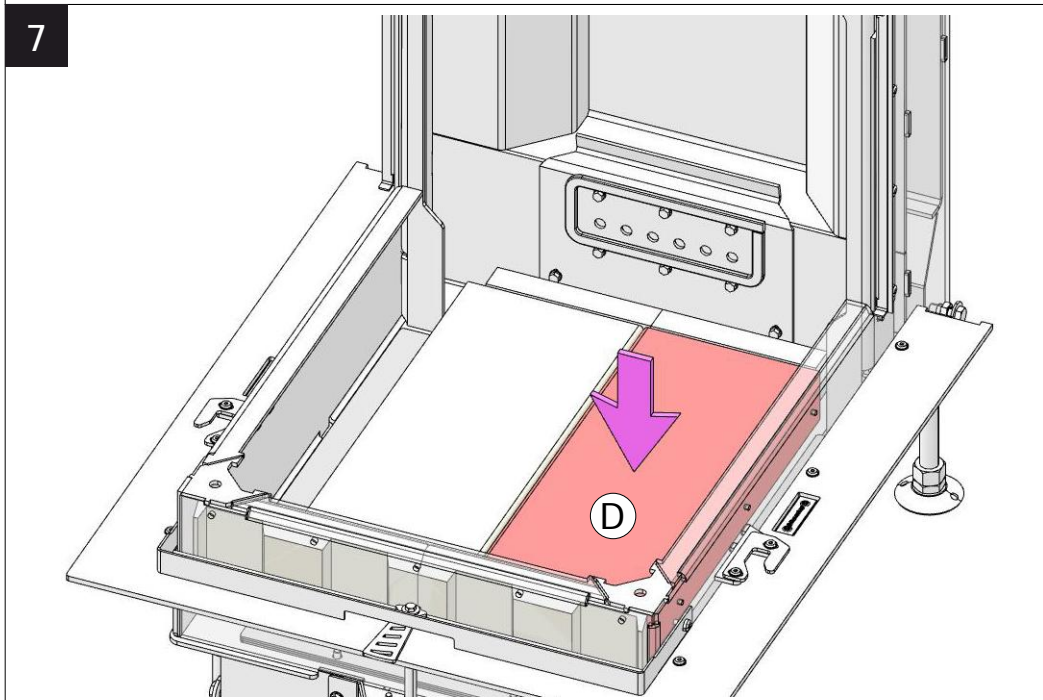
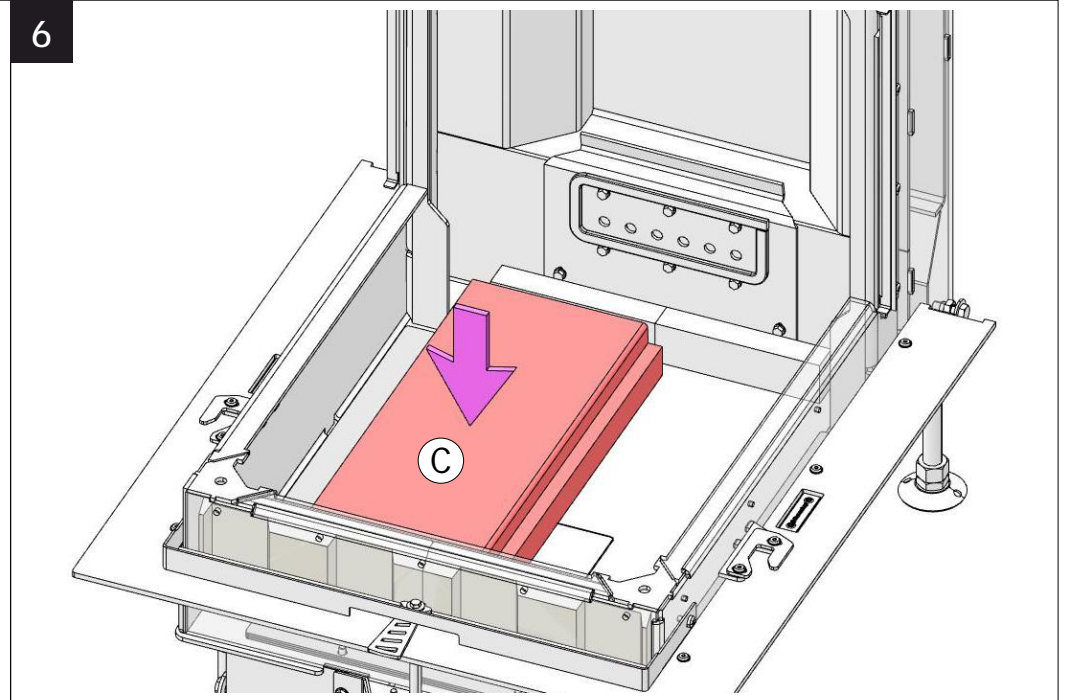
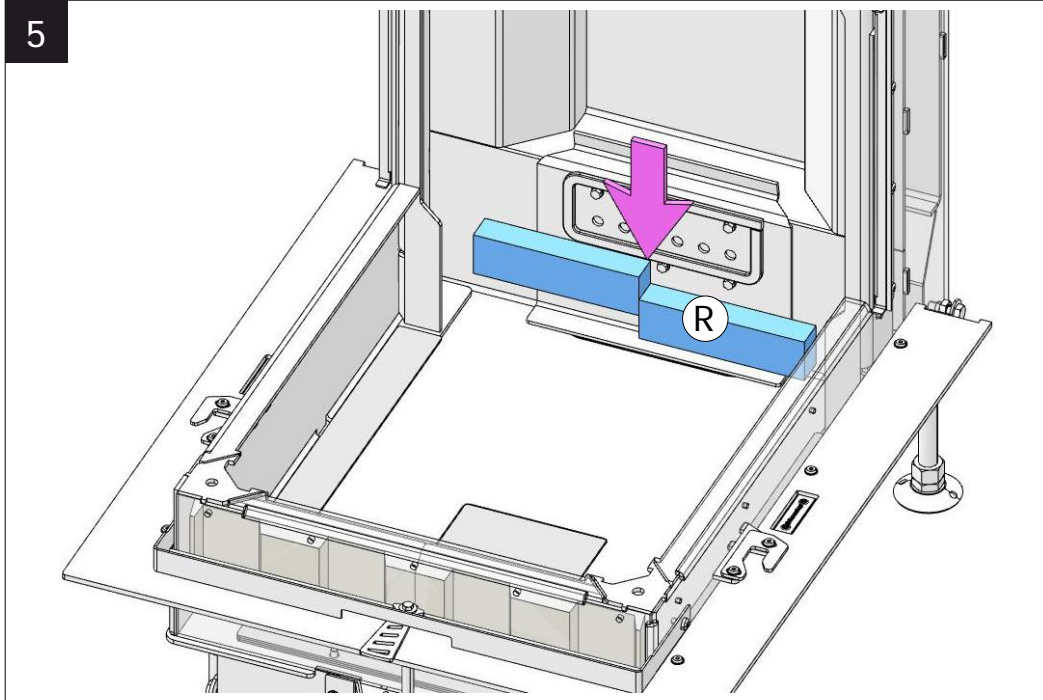


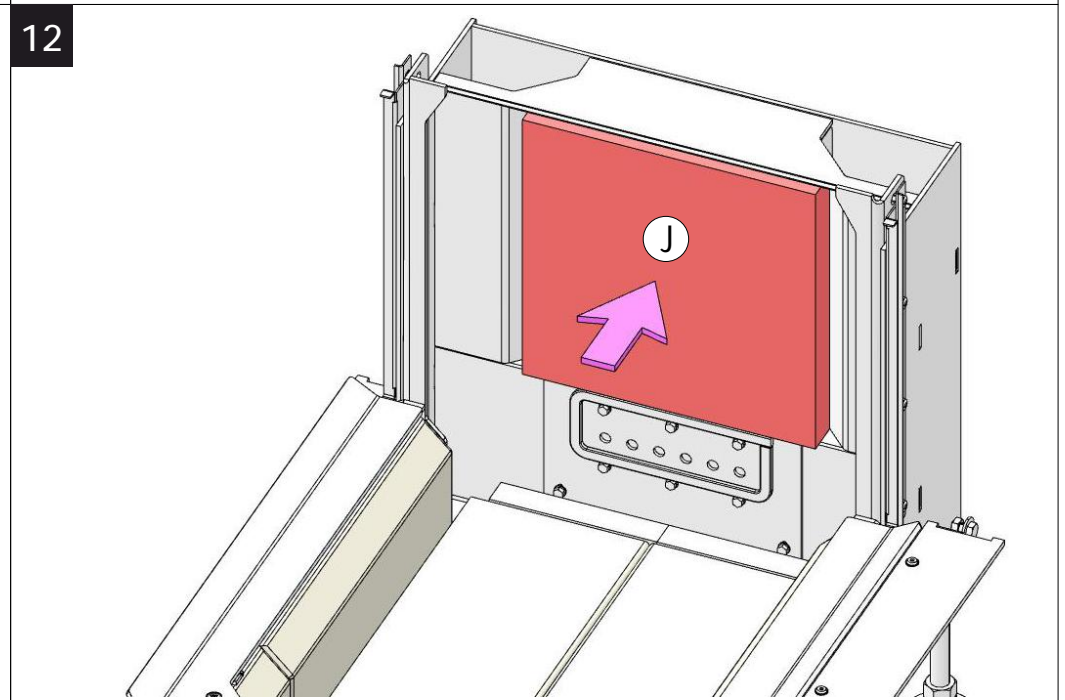
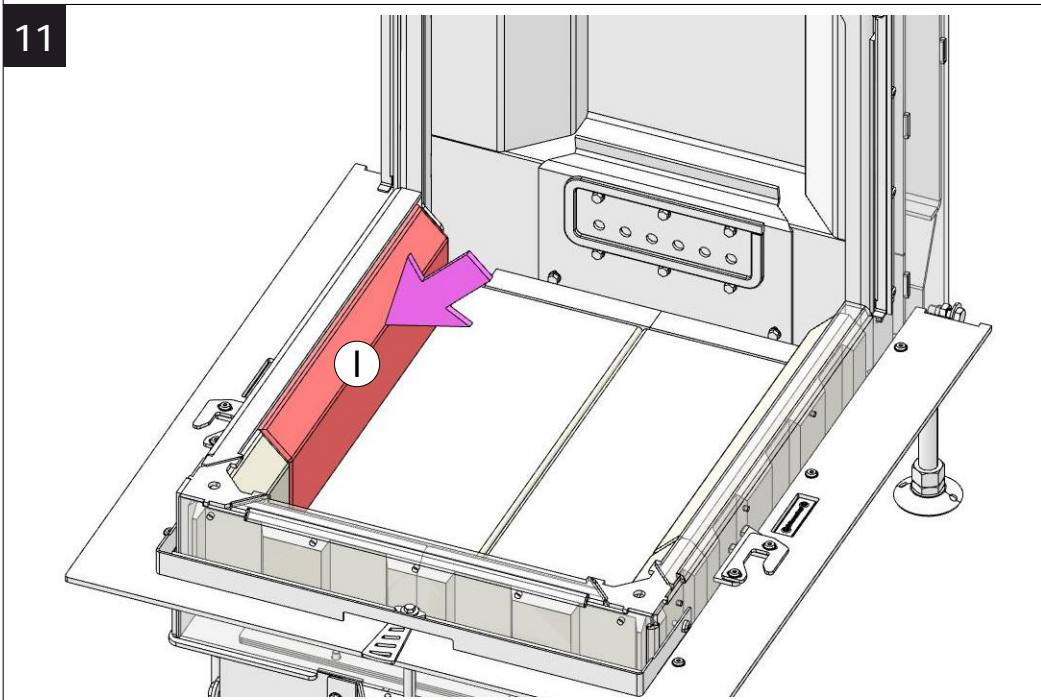
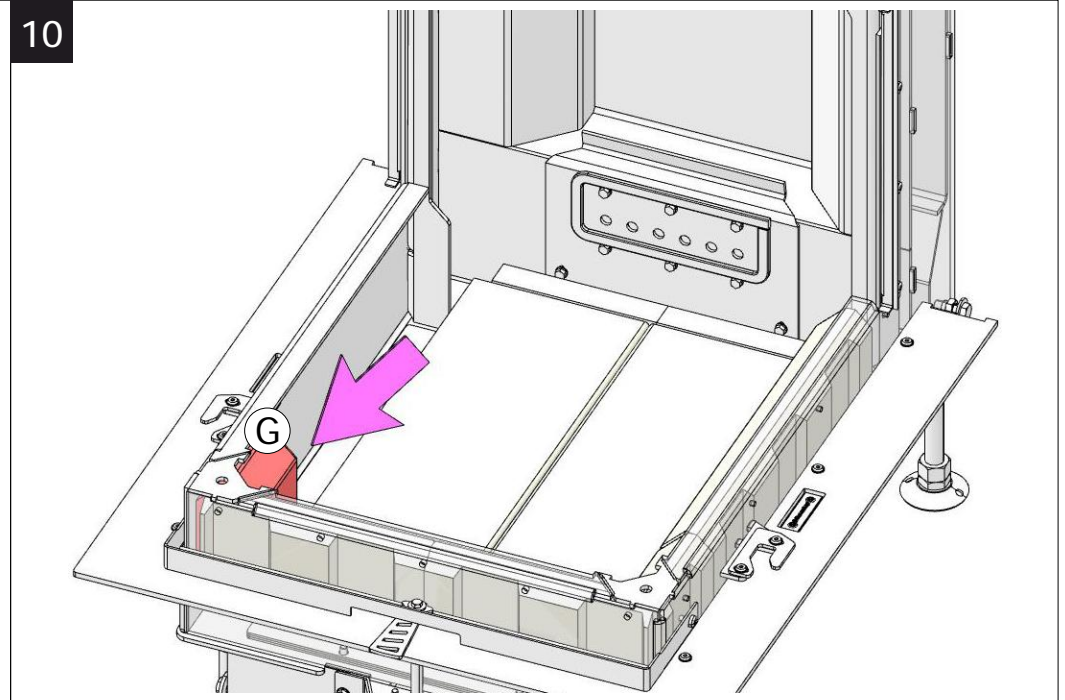
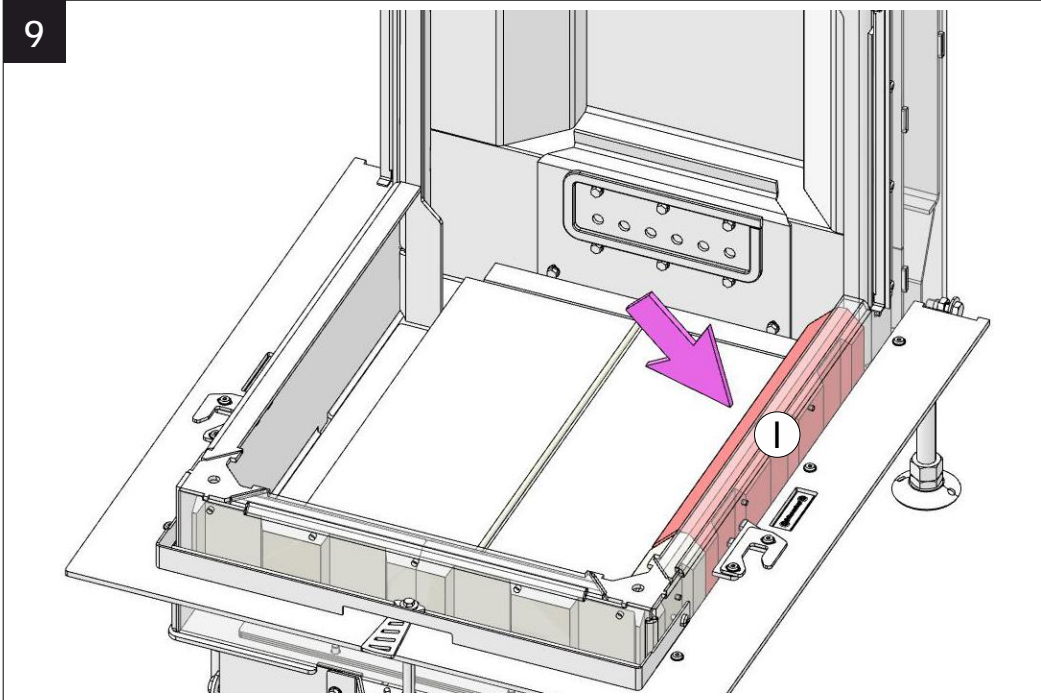
(A)(B)(C)(D) (E)(F)(G)(H)(I)	Fireclay brick - Schamottestein - Šamot	
(J)	Vermiculite - Vermiculit - Vermaculit	262x262x30
(K)	Vermiculite - Vermiculit - Vermaculit	303x140x20
(L)	Vermiculite - Vermiculit - Vermaculit	521x120x20
(M)	Vermiculite - Vermiculit - Vermaculit	361x338x40
(N)	Vermiculite - Vermiculit - Vermaculit	292x80x40
(O)	Vermiculite - Vermiculit - Vermaculit	263x70x40
(P)	Vermiculite - Vermiculit - Vermaculit	263x170x30
(Q)	Vermiculite - Vermiculit - Vermaculit	263x235x40
(R)	Insulating spacer - Isolierplatte - Izolační vložka	
(S)	Bottom blind flange - Boden Blindflansch - Záslepka dna	
(T)	Shim (under bricks) - Ausgleichplättchen (unter Schamottesteine) - Podložka šamotu	
(U)	Shim (under bricks) - Ausgleichplättchen (unter Schamottesteine) - Podložka šamotu	



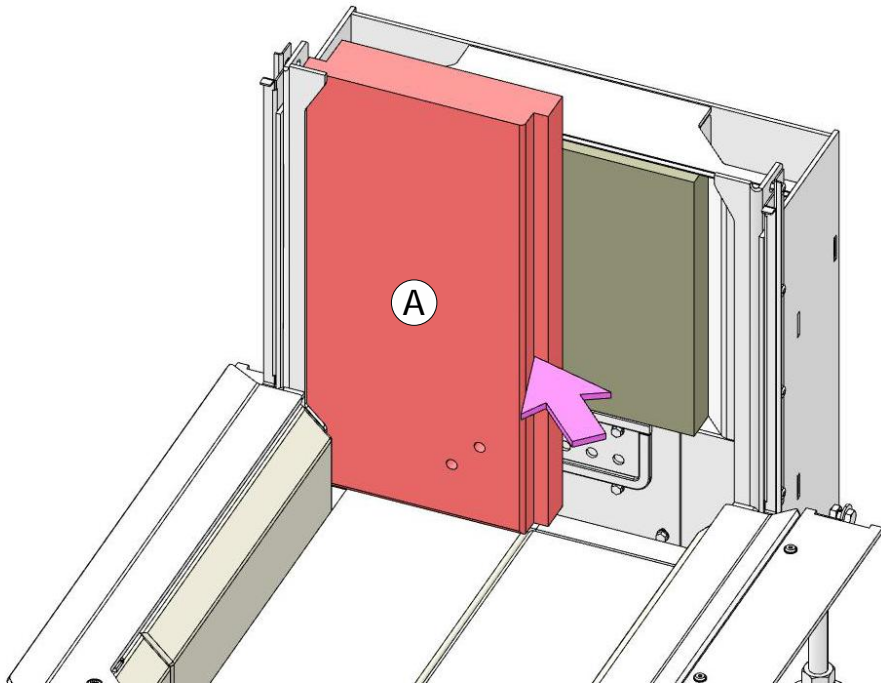
(A)(B)(C)(D) (E)(F)(G)(H)(I)	Fireclay brick - Schamottestein - Šamot	
(J)	Vermiculite - Vermiculit - Vermaculit	262x262x30
(K)	Vermiculite - Vermiculit - Vermaculit	303x140x20
(L)	Vermiculite - Vermiculit - Vermaculit	521x120x20
(M)	Vermiculite - Vermiculit - Vermaculit	361x338x40
(N)	Vermiculite - Vermiculit - Vermaculit	292x80x40
(O)	Vermiculite - Vermiculit - Vermaculit	263x70x40
(P)	Vermiculite - Vermiculit - Vermaculit	263x170x30
(Q)	Vermiculite - Vermiculit - Vermaculit	263x235x40
(R)	Insulating spacer - Isolierplatte - Izolační vložka	
(S)	Bottom blind flange - Boden Blindflansch - Záslepka dna	
(T)	Shim (under bricks) - Ausgleichplättchen (unter Schamottesteine) - Podložka šamotu	
(U)	Shim (under bricks) - Ausgleichplättchen (unter Schamottesteine) - Podložka šamotu	



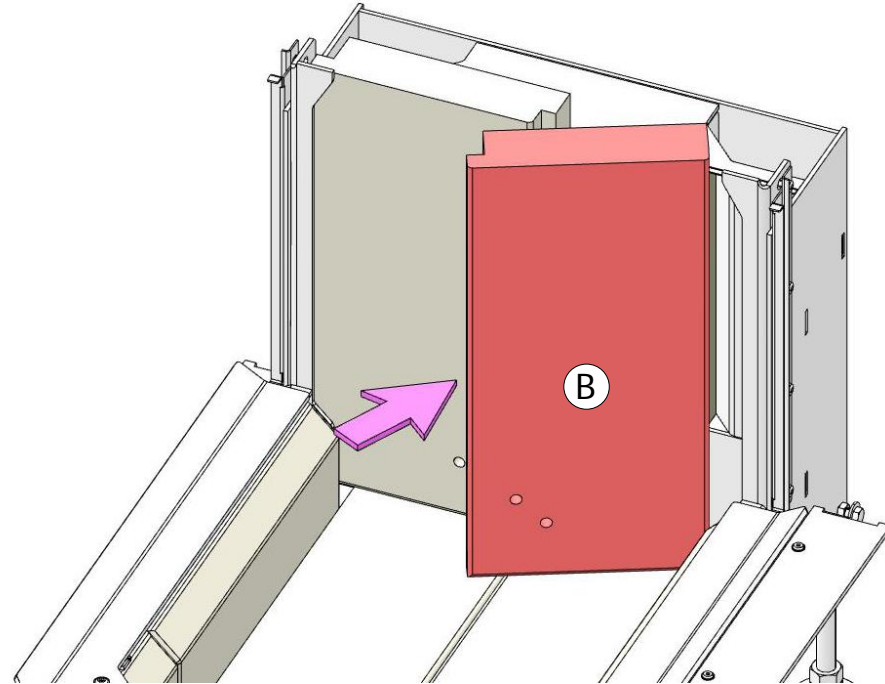




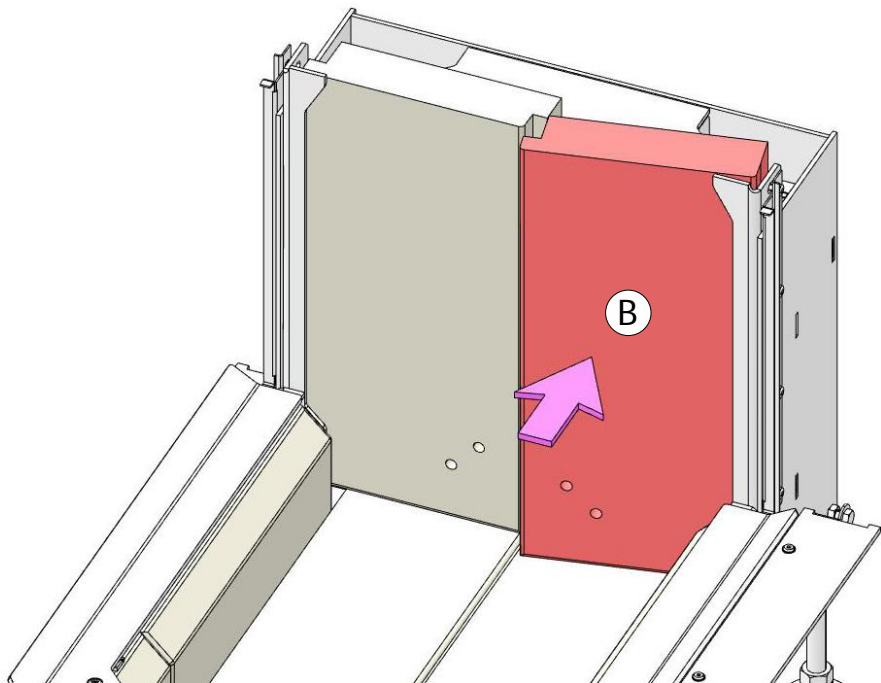
13



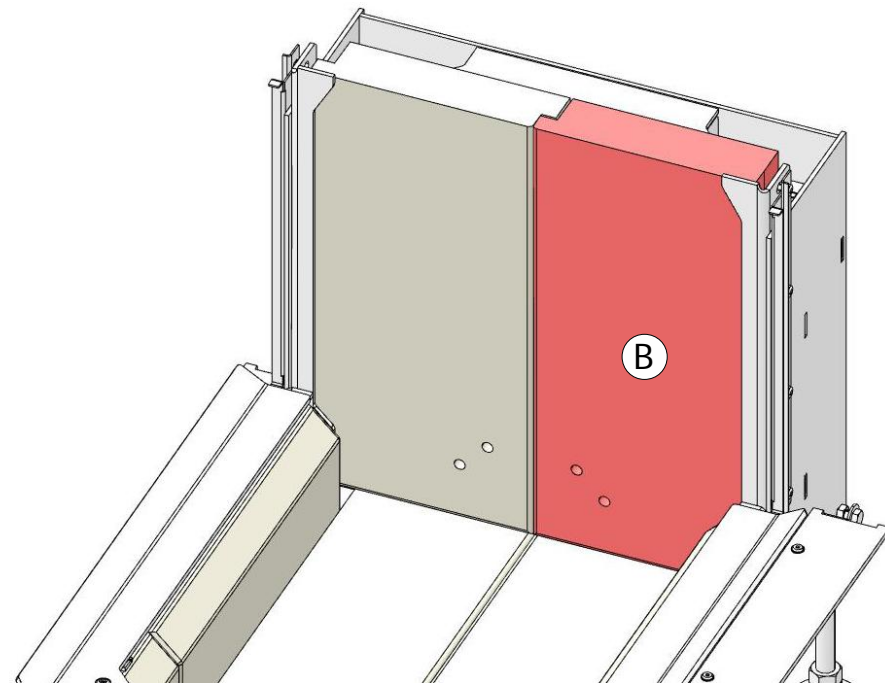
14



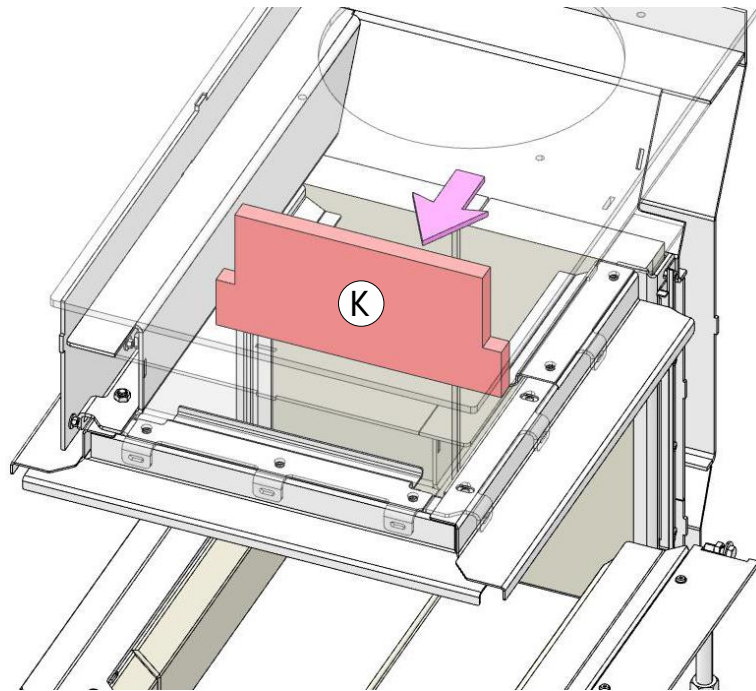
15



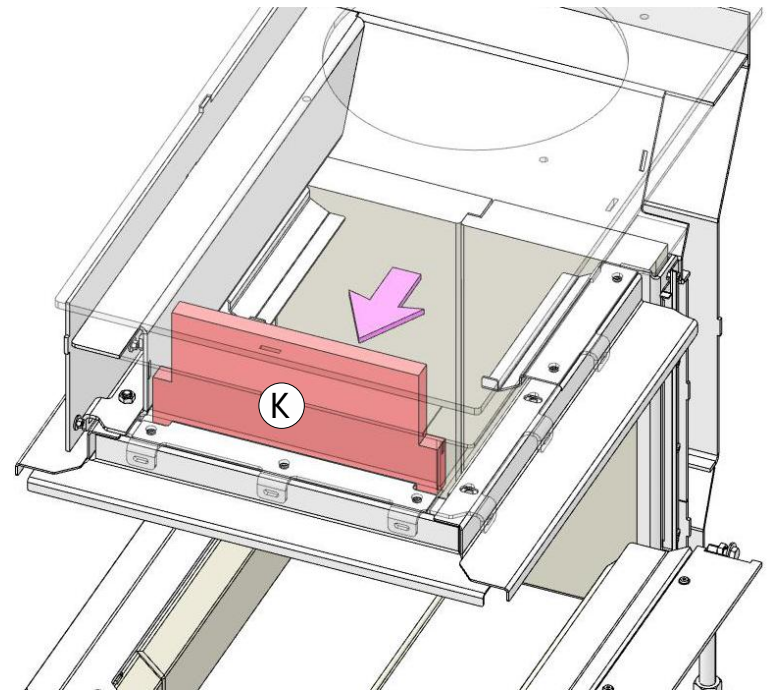
16



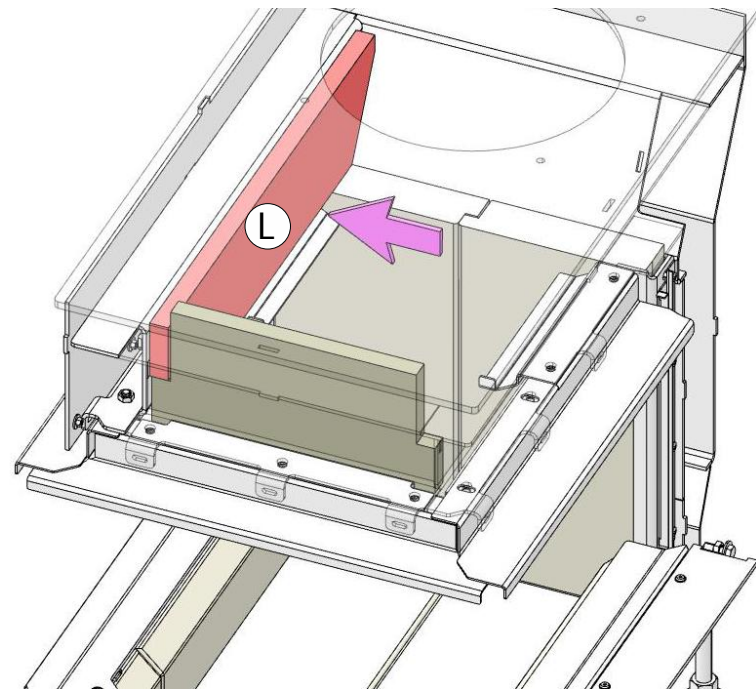
17



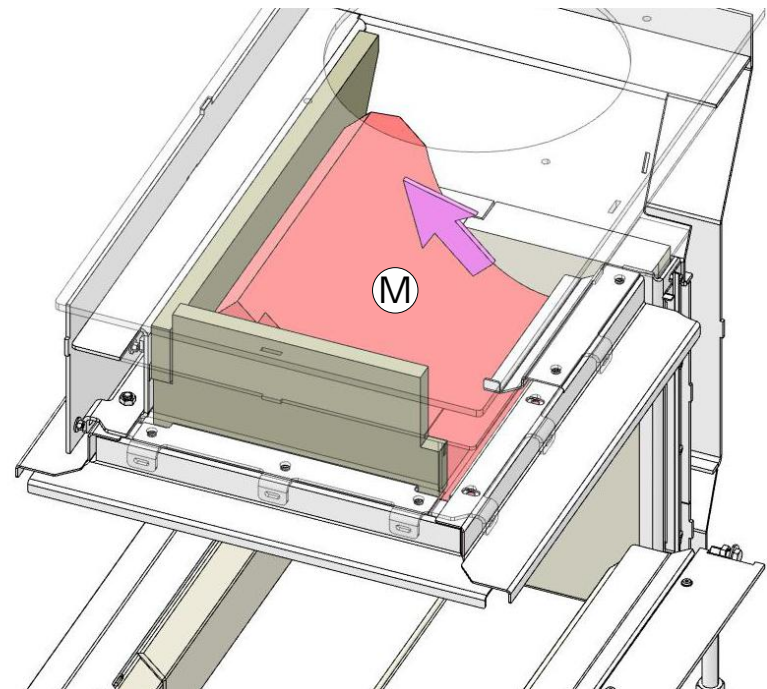
18



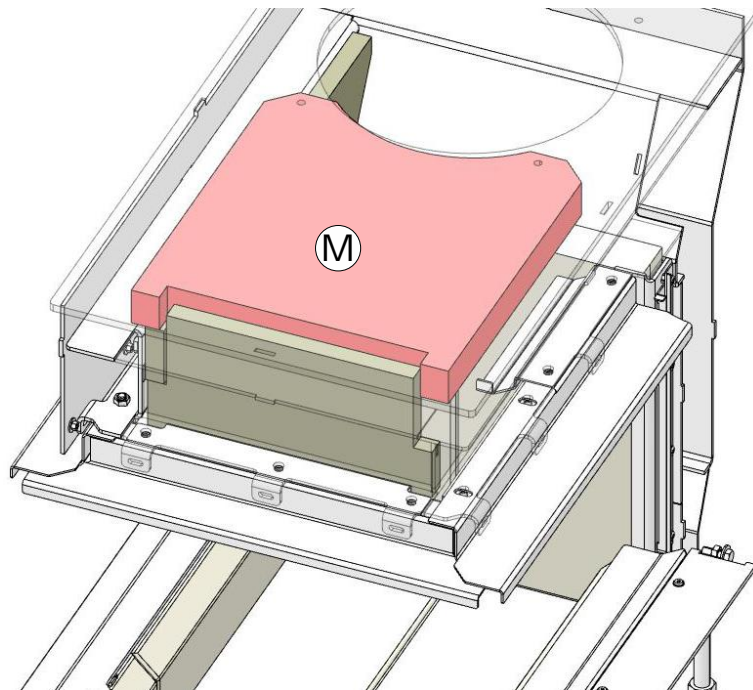
19



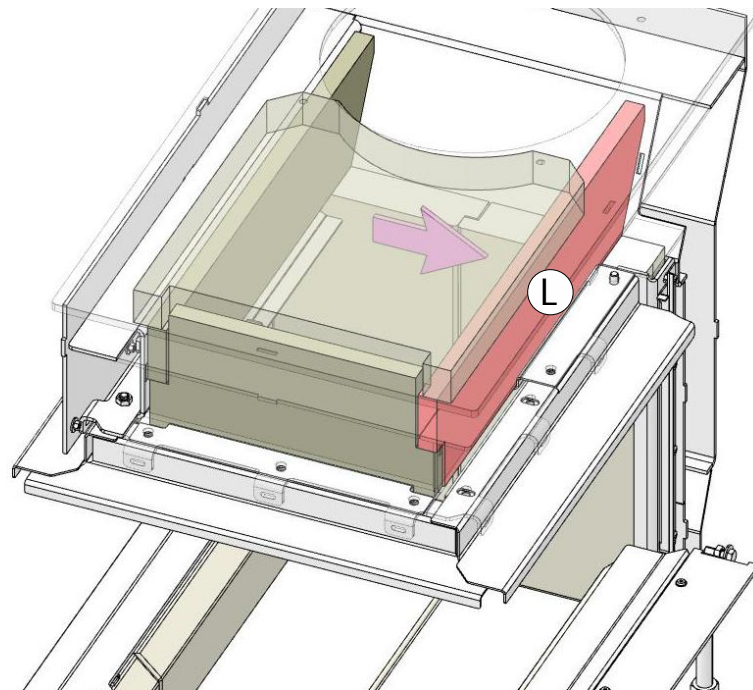
20



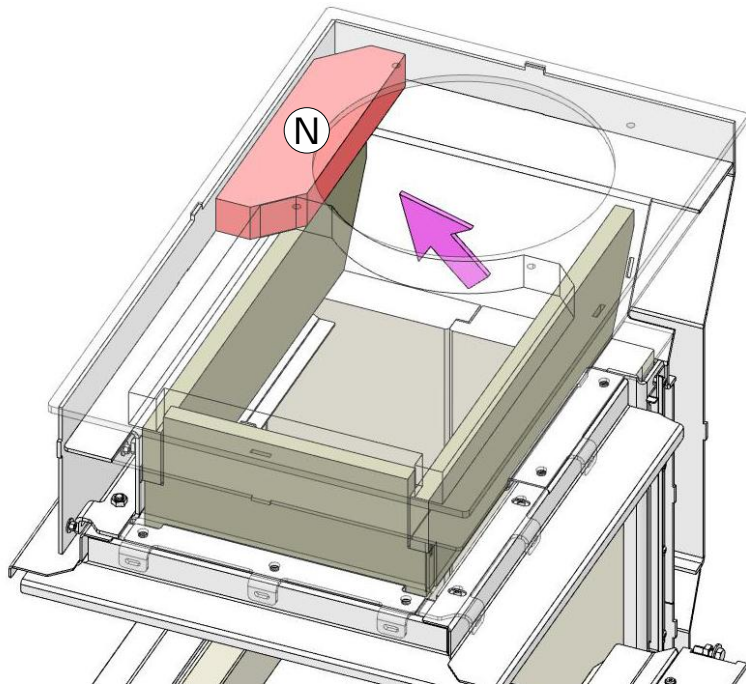
21



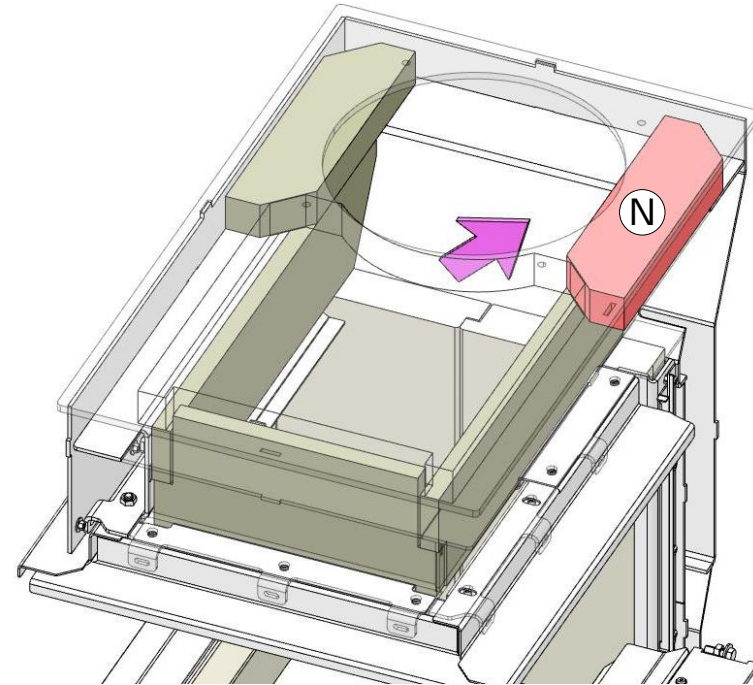
22



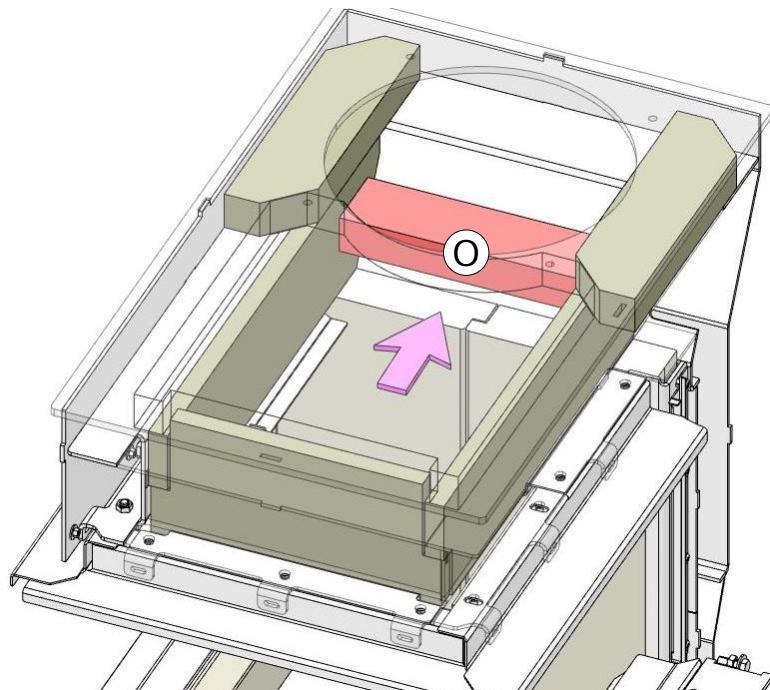
23



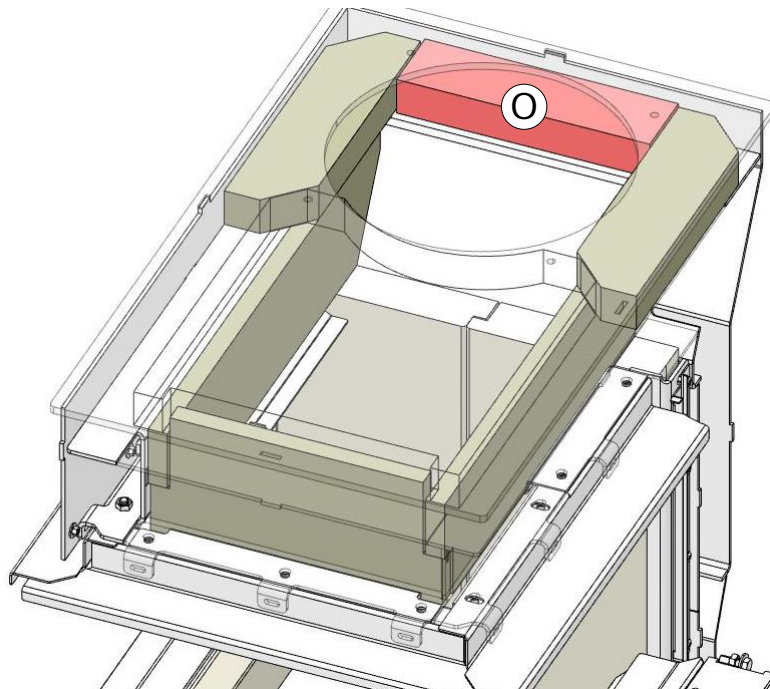
24



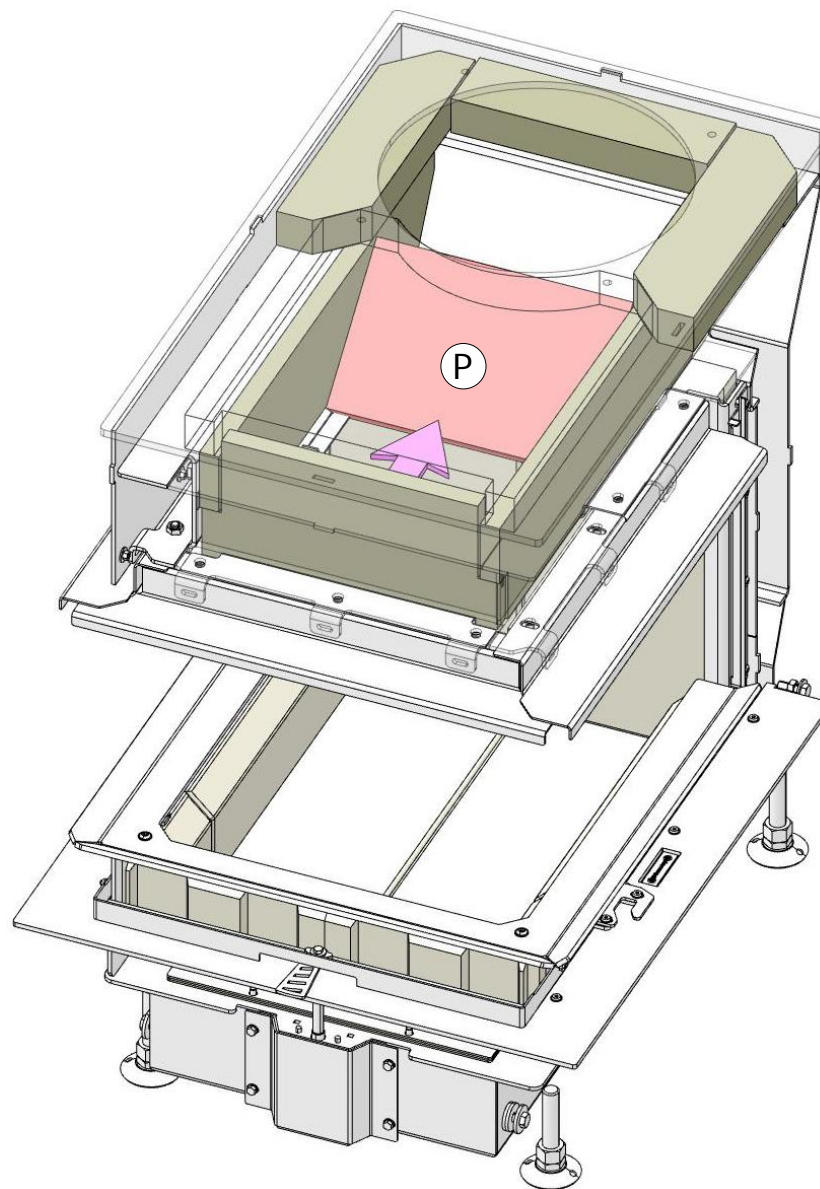
25



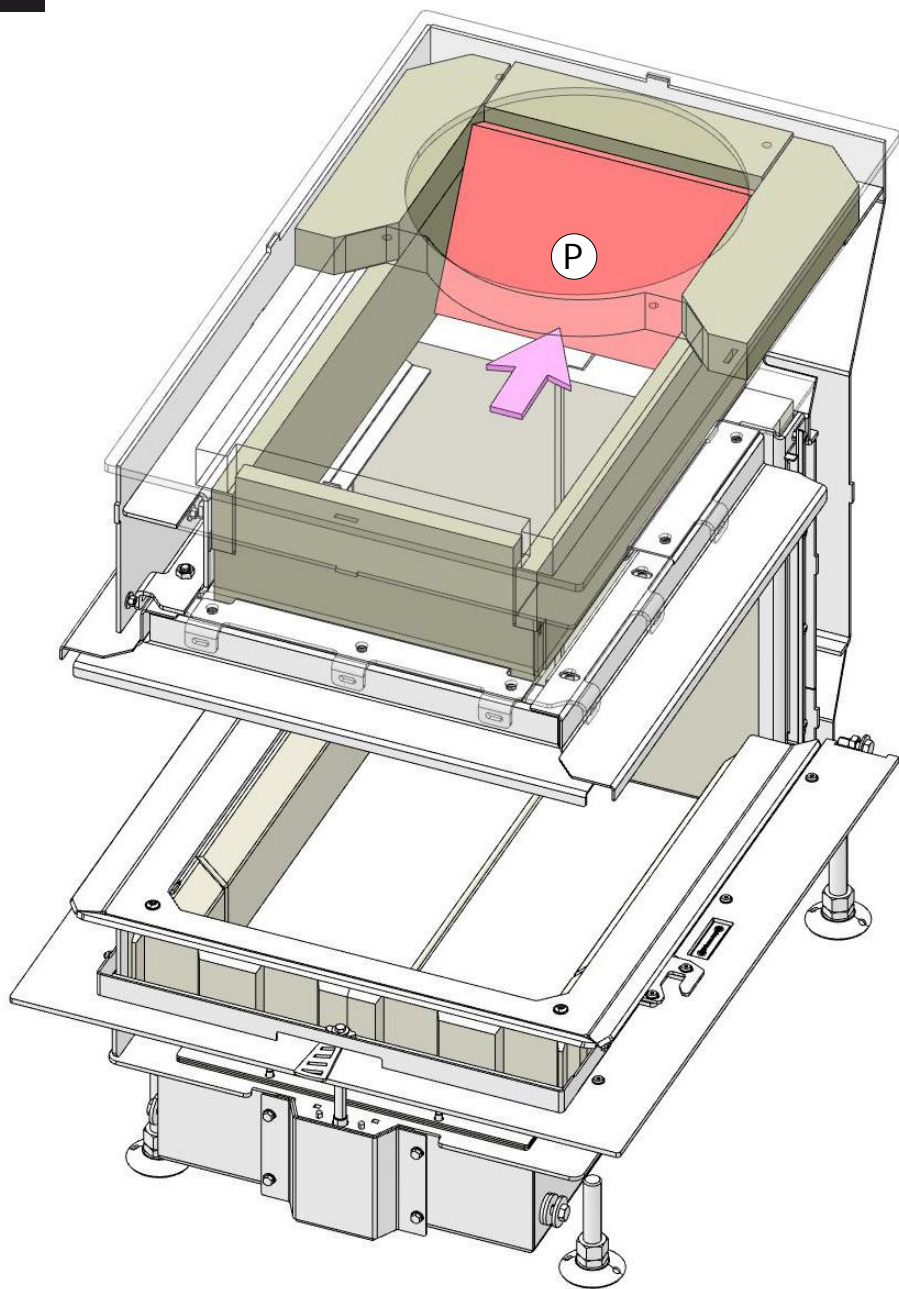
26



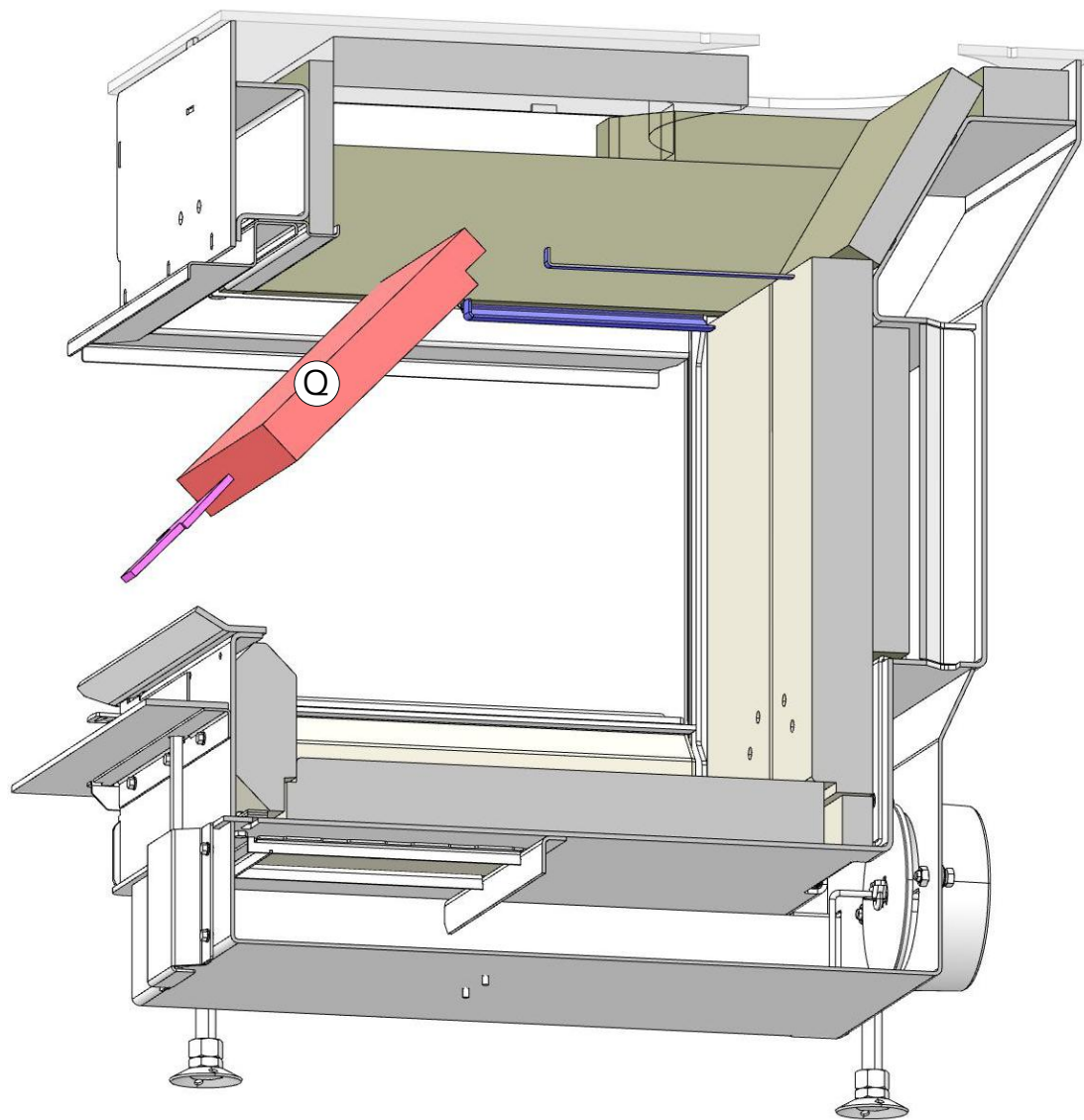
27



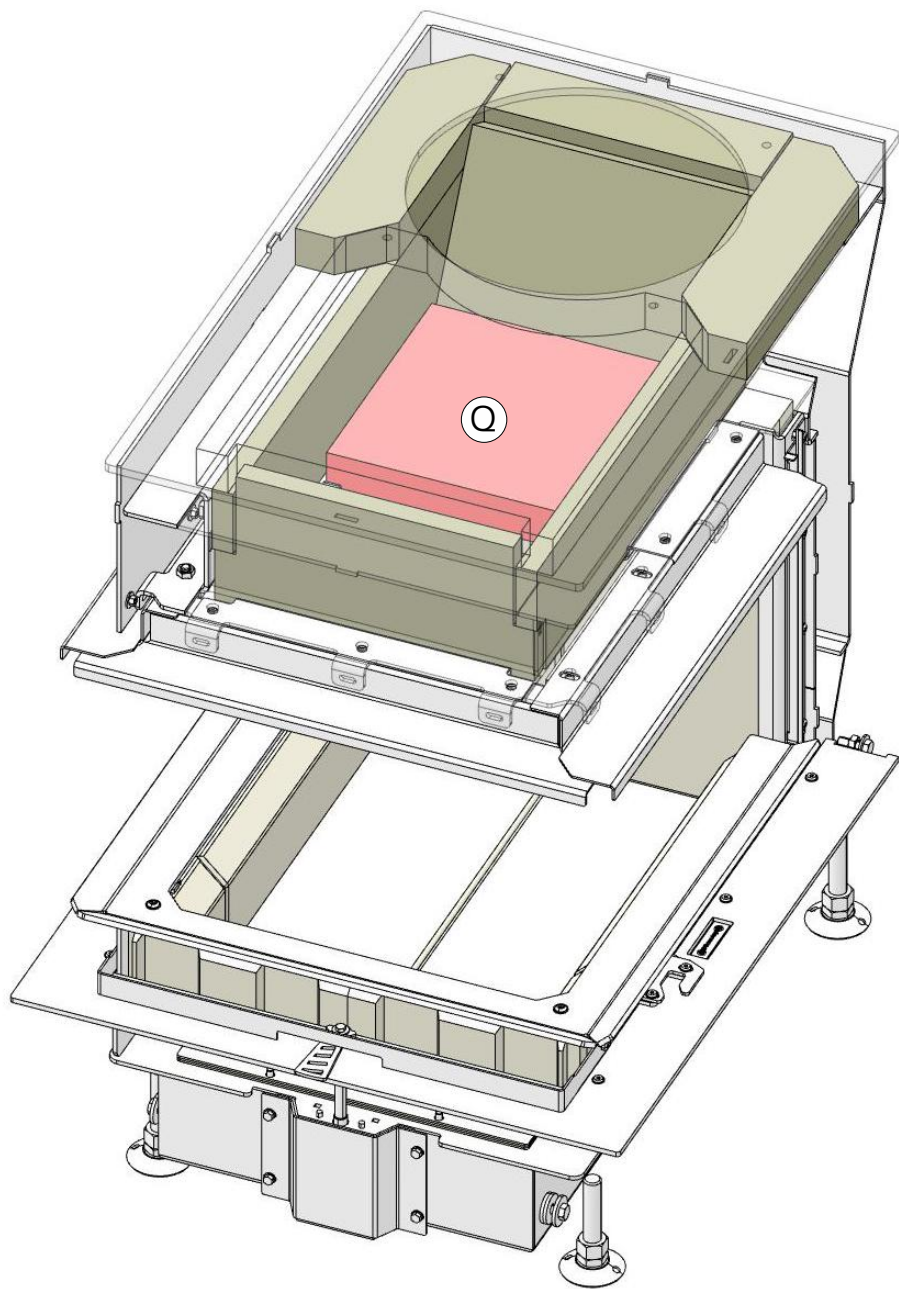
28



29



30



31

