

# **Extraflame**®

## Riscaldamento a Pellet



UK

**PELLET STOVES USER MANUAL**

**MADE IN ITALY**  
design & production

**SOUVENIR EVO - ANNABELLA AD EVO**

004280532 - Rev 001

APPLY TECHNICAL  
DATA LABEL



# ATTENTION



**SURFACES CAN BECOME VERY HOT!  
ALWAYS USE PROTECTIVE GLOVES!**

*During combustion, thermal energy is released that significantly increases the heat of surfaces, doors, handles, controls, glass, exhaust pipes, and even the front of the appliance. Avoid contact with those elements if not wearing protective clothing (protective gloves included). Make sure children are aware of the danger and keep them away from the stove during operation.*

<b>ENGLISH</b> .....	<b>5</b>
<b>WARNINGS</b> .....	<b>5</b>
<b>SAFETY</b> .....	<b>5</b>
<b>ROUTINE MAINTENANCE</b> .....	<b>7</b>
<b>INSTALLATION</b> .....	<b>8</b>
PREPARATIONS FOR MAINTENANCE.....	8
<b>SOUVENIR EVO DETAILS</b> .....	<b>10</b>
SPACERS.....	12
<b>HOT AIR DUCTING</b> .....	<b>12</b>
<b>STOVE POSITIONING</b> .....	<b>14</b>
<b>NOTES FOR CORRECT OPERATION</b> .....	<b>14</b>
FUSE.....	14
BULB THERMOSTAT REACTIVATION.....	14
<b>PELLETS AND FEEDING</b> .....	<b>15</b>
<b>PELLET HOPPER</b> .....	<b>15</b>
<b>REMOTE CONTROL</b> .....	<b>16</b>
REMOTE CONTROL ICONS.....	17
INSERTING THE BATTERIES.....	17
ADVICE AND PRECAUTIONS FOR THE USE OF THE REMOTE CONTROL.....	17
<b>CONTROL BOARD</b> .....	<b>18</b>
ICON KEY.....	18
GENERAL MENU.....	19
GENERAL WARNINGS.....	19
<b>FIRST IGNITION SETTINGS</b> .....	<b>20</b>
DATE-TIME.....	20
LANGUAGE.....	20
DEGREES.....	20
<b>OPERATION AND LOGIC</b> .....	<b>21</b>
<b>VENTILATION</b> .....	<b>22</b>
<b>EASY SETUP</b> .....	<b>22</b>
<b>CHRONO</b> .....	<b>23</b>
ENABLING/DISABLING THE CHRONO.....	23
<b>SETTINGS</b> .....	<b>25</b>
DISPLAY.....	25
STAND BY.....	25
OPERATION WITH ADDITIONAL THERMOSTAT (OPTIONAL).....	25
ADDITIONAL THERMOSTAT.....	26
ADDITIONAL THERMOSTAT INSTALLATION.....	26
DELTA-T.....	26
FIRST LOAD.....	26
RESET.....	26
EASY CONTROL.....	27
<b>ADDITIONAL FUNCTIONS</b> .....	<b>27</b>
DELAY SWITCH-OFF.....	27
KEYS LOCKED.....	27
<b>CLEANING AND MAINTENANCE</b> .....	<b>28</b>
<b>MAINTENANCE</b> .....	<b>28</b>
PERIODIC CLEANING UNDER USER'S RESPONSIBILITY.....	28
BURN POT ASSEMBLY.....	29
<b>ROUTINE MAINTENANCE PERFORMED BY QUALIFIED TECHNICIANS</b> .....	<b>31</b>
SHUT-DOWN (END OF SEASON).....	31
<b>DISPLAYS</b> .....	<b>34</b>
<b>ALARMS</b> .....	<b>34</b>
<b>DISPOSAL</b> .....	<b>35</b>

**IT - ATTENZIONE TASSATIVO PRIMA DI MOVIMENTARE LA STUFA TOGLIERE IL RIVESTIMENTO INDICATO PER EVITARE DANNI.**

**EN - WARNING BEFORE HANDLING THE STOVE, THE COVERING INDICATED MUST BE REMOVED TO AVOID DAMAGE.**

**FR - ATTENTION IMPÉRATIF AVANT DE DÉPLACER LE POÊLE, RETIRER LE REVÊTEMENT INDIQUÉ POUR ÉVITER TOUT DOMMAGE.**

**DE - ACHTUNG PFLICHT BEVOR DER OFEN BEWEGT WIRD, MUSS DIE ANGEZEIGTE VERKLEIDUNG ENTFERNT WERDEN, UM SCHÄDEN ZU VERMEIDEN.**

**ES - ATENCIÓN TAXATIVO ANTES DE MANEJAR LA ESTUFA QUITAR EL REVESTIMIENTO INDICADO PARA EVITAR DAÑOS.**

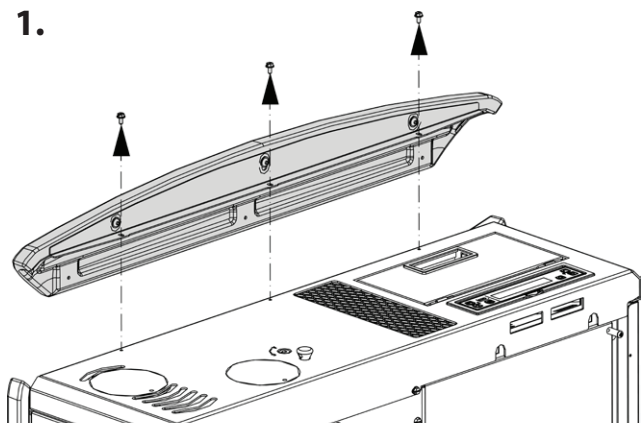
**PT - ATENÇÃO OBRIGATÓRIO ANTES DE MOVIMENTAR O AQUECEDOR, RETIRAR O REVESTIMENTO INDICADO PARA EVITAR DANOS.**

**HR - STROGO PAŽNJA PRIJE PREMJEŠTANJA PEĆI UKLONITE NAZNAČENI POKLOPAC KAKO BI SE IZBJEGLA OŠTEĆENJA.**

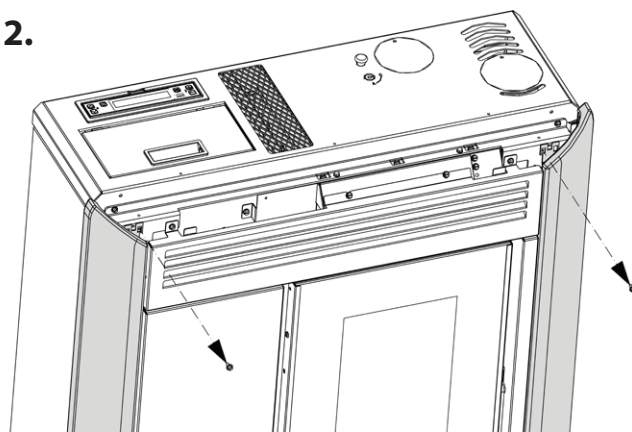
**SLO - STROGO POZOR PRED PREMIKANJEM PEČI ODSTRANITE OZNAČENI POKROV DA SE IZOGNETE ŠKODI.**

**NL - STRIKT AANDACHT VOORDAT U DE KACHEL VERPLAATST VERWIJDER HET AANGEGEVEN DEKSEL OM SCHADE TE VOORKOMEN.**

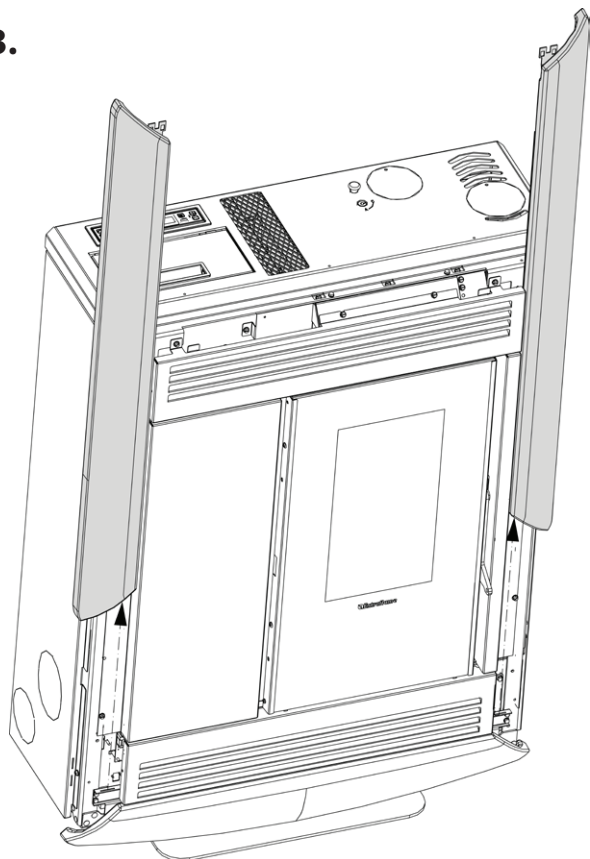
1.



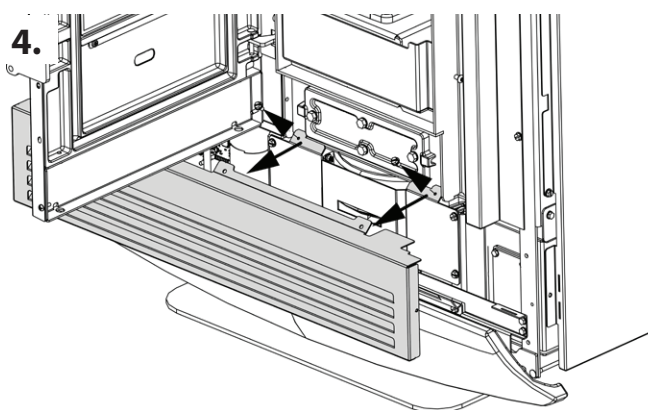
2.



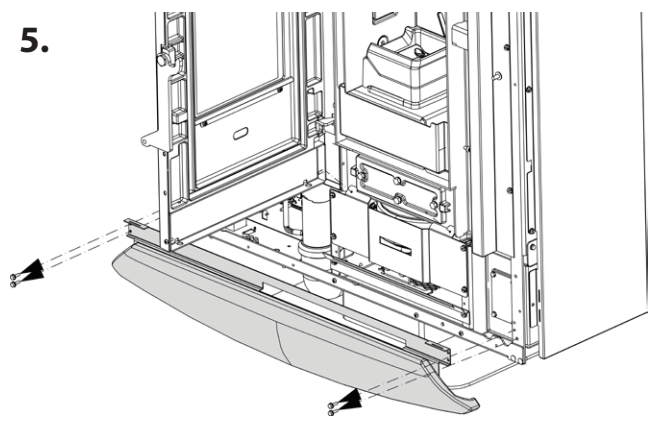
3.



4.



5.



*We thank you for having chosen our company; our product is a great heating solution developed from the most advanced technology with top quality machining and modern design, aimed at making you enjoy the fantastic sensation that the heat of a flame gives, in complete safety.*

## **WARNINGS**

This instructions manual is an integral part of the product: make sure that it always accompanies the appliance, even if transferred to another owner or user, or if transferred to another place. If it is damaged or lost, request another copy from the area technician. This product is intended for the use for which it has been expressly designed. The manufacturer is exempt from any liability, contractual and extracontractual, for injury/damage caused to persons/animals and objects, due to installation, adjustment and maintenance errors and improper use.

**Installation must be performed by qualified staff, which assumes complete responsibility for the definitive installation and consequent good functioning of the product installed. One must also bear in mind all laws and national, regional, provincial and town council Standards present in the country in which the appliance has been installed, as well as the instructions contained in this manual.**

**The use of the appliance must comply with all local, regional, national and European regulations.**

**The Manufacturer cannot be held responsible for the failure to comply with such precautions.**

**After removing the packaging, ensure that the content is intact and complete. Otherwise, contact the dealer where the appliance was purchased. All electric components that make up the product must be replaced with original spare parts exclusively by an authorised after-sales centre, thus guaranteeing correct functioning.**

## **SAFETY**

**♦ THE APPLIANCE MAY BE USED BY CHILDREN 8 YEARS OF AGE OR OLDER AND INDIVIDUALS WITH REDUCED PHYSICAL, SENSORY, OR MENTAL CAPACITIES OR WITHOUT EXPERIENCE OR THE NECESSARY KNOWLEDGE, PROVIDED THAT THEY ARE SUPERVISED OR HAVE**

RECEIVED INSTRUCTIONS ON SAFE USE OF THE APPLIANCE AND THAT THEY UNDERSTAND THE INHERENT DANGERS.

- ◆ THE GENERATOR MUST NOT BE USED BY PERSONS (INCLUDING CHILDREN) WITH REDUCED PHYSICAL, SENSORY AND MENTAL CAPACITIES OR WHO ARE UNSKILLED PERSONS, UNLESS THEY ARE SUPERVISED AND TRAINED REGARDING USE OF THE APPLIANCE BY A PERSON RESPONSIBLE FOR THEIR SAFETY.
- ◆ THE CLEANING AND MAINTENANCE REQUIRED BY THE USER MUST NOT BE PERFORMED BY CHILDREN WITHOUT SUPERVISION.
- ◆ CHILDREN MUST BE CHECKED TO ENSURE THAT THEY DO NOT PLAY WITH THE APPLIANCE.
- ◆ DO NOT TOUCH THE GENERATOR WHEN YOU ARE BAREFOOT OR WHEN PARTS OF THE BODY ARE WET OR DAMP.
- ◆ IT IS FORBIDDEN TO MODIFY THE APPLIANCE IN ANY WAY.
- ◆ DO NOT PULL, REMOVE, TWIST THE ELECTRICAL CABLES COMING OUT OF THE PRODUCT EVEN IF IT IS DISCONNECTED FROM THE MAINS.
- ◆ IT IS ADVISED TO POSITION THE POWER SUPPLY CABLE SO THAT IT DOES NOT COME INTO CONTACT WITH HOT PARTS OF THE APPLIANCE.
- ◆ THE POWER SUPPLY PLUG MUST BE ACCESSIBLE AFTER INSTALLATION.
- ◆ DO NOT CLOSE OR REDUCE THE DIMENSIONS OF THE AIRING VENTS IN THE PLACE OF INSTALLATION. THE AIRING VENTS ARE ESSENTIAL FOR CORRECT COMBUSTION.
- ◆ DO NOT LEAVE THE PACKAGING ELEMENTS WITHIN REACH OF CHILDREN OR UNASSISTED DISABLED PERSONS.
- ◆ THE HEARTH DOOR MUST ALWAYS BE CLOSED DURING NORMAL FUNCTIONING OF THE PRODUCT.
- ◆ WHEN THE APPLIANCE IS FUNCTIONING AND HOT TO THE TOUCH, ESPECIALLY ALL EXTERNAL SURFACES, ATTENTION MUST BE PAID
- ◆ CHECK FOR THE PRESENCE OF ANY OBSTRUCTIONS BEFORE SWITCHING THE APPLIANCE ON FOLLOWING A PROLONGED PERIOD OF INACTIVITY.
- ◆ THE GENERATOR HAS BEEN DESIGNED TO ADJUST ITSELF AUTOMATICALLY IN PARTICULAR OPERATING CONDITIONS
- ◆ THE GENERATOR HAS BEEN DESIGNED TO FUNCTION IN ANY CLIMATIC CONDITION. IN PARTICULARLY ADVERSE CONDITIONS

**(STRONG WIND, FREEZING) SAFETY SYSTEMS MAY INTERVENE THAT SWITCH THE GENERATOR OFF. IF THIS OCCURS, CONTACT THE TECHNICAL AFTER-SALES SERVICE AND ALWAYS DISABLE THE SAFETY SYSTEMS.**

♦ **IN THE EVENT THE FLUE CATCHES FIRE, USE SUITABLE SYSTEMS FOR SUFFOCATING THE FLAMES OR REQUEST HELP FROM THE FIRE BRIGADE.**

♦ **THIS APPLIANCE MUST NOT BE USED TO BURN WASTE**

♦ **DO NOT USE ANY FLAMMABLE LIQUIDS FOR IGNITION**

♦ **DURING THE FILLING PHASE DO NOT PUT THE BAG OF PELLETS TO INTO CONTACT WITH THE PRODUCT**

♦ **THE MAJOLICAS ARE TOP QUALITY ARTISAN PRODUCTS AND AS SUCH CAN HAVE MICRO-DOTS, CRACKLES AND CHROMATIC IMPERFECTIONS. THESE FEATURES HIGHLIGHT THEIR VALUABLE NATURE. DUE TO THEIR DIFFERENT DILATION COEFFICIENT, THEY PRODUCE CRACKLING, WHICH DEMONSTRATE THEIR EFFECTIVE AUTHENTICITY. TO CLEAN THE MAJOLICAS, IT IS RECOMMENDED TO USE A SOFT, DRY CLOTH. IF A DETERGENT OR LIQUID IS USED, THE LATTER COULD PENETRATE INSIDE THE CRACKLES, HIGHLIGHTING THEM.**

♦ **SINCE THE PRODUCT CAN TURN ON AUTOMATICALLY THANKS TO THE TIMER, OR REMOTELY USING THE DEDICATED APPLICATIONS, IT IS STRICTLY FORBIDDEN TO LEAVE ANY COMBUSTIBLE OBJECT WITHIN THE SAFETY DISTANCES INDICATED ON THE TECHNICAL DATA PLATE.**

♦ **INTERNAL COMBUSTION CHAMBER PARTS CAN BE SUBJECT TO EXTETICAL WARN, IT DOESN'T AFFECT THE FUNCTIONALITY**

## **ROUTINE MAINTENANCE**

Based on Decree 22 January 2008 n°37 art.2, routine maintenance means interventions aimed at reducing degradation due to normal use, as well as dealing with accidental events entailing the need of first interventions, which however do not modify the structure of the system upon which one is intervening or its intended use according to the requirements laid down by the technical standards in force and by the manufacturer's use and maintenance manual.

## INSTALLATION

### GENERAL

The flue gas exhaust and hydraulic connections must be carried out by qualified personnel who must issue installation conformity documentation compliant with national standards.

**The installer must provide the owner or person acting for him, according to the legislation in force, with the declaration of conformity, supplied with:**

- 1) the use and maintenance manual of the appliance and of the system components (such as for example, the smoke ducts, chimney, etc.);
- 2) photocopy or photograph of the chimney plaque;
- 3) system booklet (where applicable).

*The installer must ask to be issued with a receipt stating that the documentation has been provided, and must keep it with a copy of the technical documentation relating to the installation.*

For installation in a condominium, prior approval from the condominium's administrator must be requested.

Where required, check the exhaust gas emissions after installation. Should a sampling point be installed, it must be airtight.

### COMPATIBILITY

Do not install in rooms with a fire hazard. It is also forbidden to install it in living areas with the following characteristics:

1. where there are liquid fuel appliances with continuous or discontinuous operation that draw the combustion air into the room in which they are installed.
2. where there are type B gas appliances intended for heating, with or without domestic hot water production and in adjacent and communicating rooms.
3. where the depression measured in situ between the external and internal environment is greater than 4 Pa.

N.B.: Watertight appliances can also be installed in the cases indicated in points 1, 2 and 3 of this paragraph.

### INSTALLATIONS IN BATHROOMS, BEDROOMS AND STUDIO FLATS

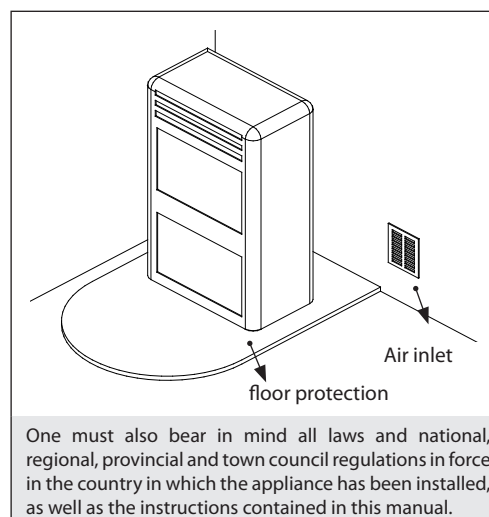
Installation in bathrooms, bedrooms and studio flats is only allowed for sealed or closed hearth appliances with ducted combustion air taken from the outside.

### POSITIONING AND SAFETY DISTANCES

The support surfaces and/or points must have a suitable capacity to bear the overall weight of the appliance, accessories and coverings. If the floor is made of a combustible material, we recommend using a non-combustible material to protect the front part from any burnt material which might fall during routine cleaning operations. The generator must be level to function properly. The side walls, the rear walls and the floor support surface should be made of non-combustible material.

### MINIMUM DISTANCES (PELLET STOVES)

Installation next to flammable or heat-sensitive materials is permitted **only if the special safety distances specified on the label at the beginning of the manual (pag.2) are observed**. If the materials are not flammable, you must keep a side and rear distance of at least 100 mm (without the inserts). For products equipped with rear spacers, wall-mounting installation is permitted exclusively for the rear side.



### PREPARATIONS FOR MAINTENANCE

To carry out extraordinary maintenance operations on the product, it may be necessary to move it away from the adjacent walls. This must be done by a technician authorised to disconnect the combustion product evacuation ducts and then reconnect them. For heaters connected to the hydraulic system, the connection between the system itself and the product must be made in such a way that, when an authorised technician is about to carry out extraordinary maintenance operations, it is possible to move the heater at least 1 metre away from the adjacent walls.

### INSTALLING INSERTS

When installing inserts, access must be prevented to the internal parts of the appliance and it must not be possible to access live parts during extraction operations.

Any wiring, for example the power cable or room probe, must be positioned so as not to be damaged during movement of the insert and must not come into contact with hot parts. If a cavity made of combustible material is installed, we recommend taking all the safety precautions indicated by the installation standards.

### VENTILATION AND AERATION OF INSTALLATION ROOMS

In case of non-airtight heater and/or installation, the ventilation must respect the minimum area indicated below (considering the highest value among those provided):

Appliance categories	Reference standard	Percentage of the net opening section with respect to the appliance fumes outlet section	Minimum net opening value of the ventilation duct
Pellet stoves	UNI EN 14785	-	80 cm <sup>2</sup>
Boilers	UNI EN 303-5	50%	100 cm <sup>2</sup>

**Under any condition, including in the presence of extractor hoods and/or of controlled forced ventilation systems, the pressure difference between the generator installation rooms and the outside must always be equal to or less than 4 Pa.**



In the presence of type B gas appliances with intermittent operation not intended for heating, they must have their own aeration and/or ventilation opening.

The air inlets must meet the following requirements:

- ♦ they must be protected with grids, metal mesh, etc., but without reducing the net useful section;
- ♦ they must be made so as to make the maintenance operations possible;
- ♦ positioned so that they cannot be obstructed;

The clean and non-contaminated air flow can also be obtained from a room adjacent to that of installation (indirect aeration and ventilation), as long as the flow takes place freely through permanent openings communicating with the outside.

The adjacent room cannot be used as a garage, or to store combustible material or for any other activity with a fire hazard, bathroom, bedroom or common room of the building.

## FLUE GAS EXHAUST

The heat generator works in depression and is equipped with an outlet fan for flue gas extraction. There must be a single exhaust system for the generator. Using a flue that is shared with other devices is not allowed.

The components of the flue gas exhaust system must be chosen in relation to the type of appliance to be installed in compliance with:

- ♦ UNI/TS 11278 in the event of metal chimneys, with particular attention to that stated in the specification;
- ♦ UNI EN 13063-1 and UNI EN 13063-2, UNI EN 1457, UNI EN 1806 in the event of non-metallic chimneys.
- ♦ The length of the horizontal section must be minimal and, in any case, no longer than 3 metres, with a minimum upward slope of 3%
- ♦ There must not be more than 4 direction changes including the one due to the use of the "T" element.
- ♦ A "T" fitting with a condensation collection cap must be provided at the base of the vertical section.
- ♦ If the exhaust is not inserted in an existing flue, a vertical section with a windproof end piece is required (UNI 10683).
- ♦ The vertical duct can be inside or outside the building. If the smoke duct is inserted in an existing flue, it must be certified for solid fuel.
- ♦ If the smoke duct is outside the building, it must always be insulated.
- ♦ The smoke ducts must have at least one airtight inlet for flue gas sampling.
- ♦ All the sections of the flue gas duct must be accessible to inspection.
- ♦ Inspection openings must be provided for cleaning.
- ♦ If the generator has a fume temperature lower than 160°C+ ambient temperature caused by the high yield (contact technicians) it MUST be resistant to humidity.
- ♦ A flue system that does not respect the previous points or, in general, that does not comply with the regulations, may cause condensation phenomena inside it.

## CHIMNEY CAP

The chimney caps must meet the following requirements:

- ♦ they must have a useful outlet section no less than double that of the chimney/ducted system on which it is installed;
- ♦ they must be adapted in order to prevent the penetration of rain and snow in the chimney/ducted system;
- ♦ they must be built so that, in the event of winds coming from all directions and from any angle, the expulsion of combustion products is in any case ensured;

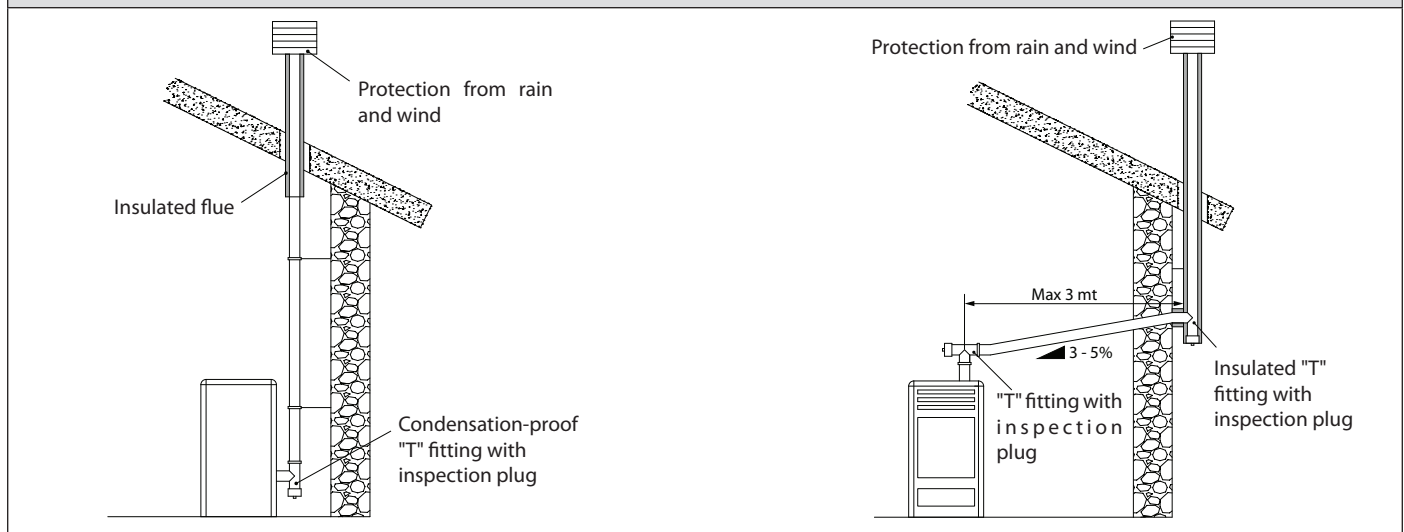
## FOR GERMANY ONLY

**The product can be connected to a shared flue** (multi-connection) provided that the requirements of the regional and national regulations, amongst which DIN EN 13384-2, DIN V 18160-1, DIN 18896 and of the MFeuV-2007 (Muster-Feuerungsverordnung) are strictly complied with, and that the local chimney sweep has checked and approved the installation conditions.

Please also remember the following indications, which the end user must comply with:

- The device can be operated only with the doors closed.
- The doors and all setting devices must remain closed when the device is not on (except for cleaning and maintenance operations).

## EXAMPLES OF CORRECT CONNECTION TO THE CHIMNEY



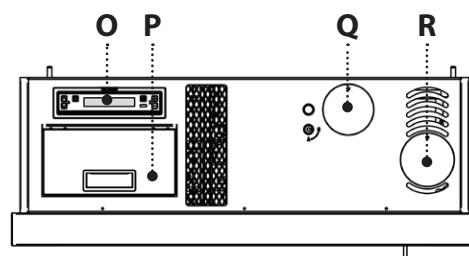
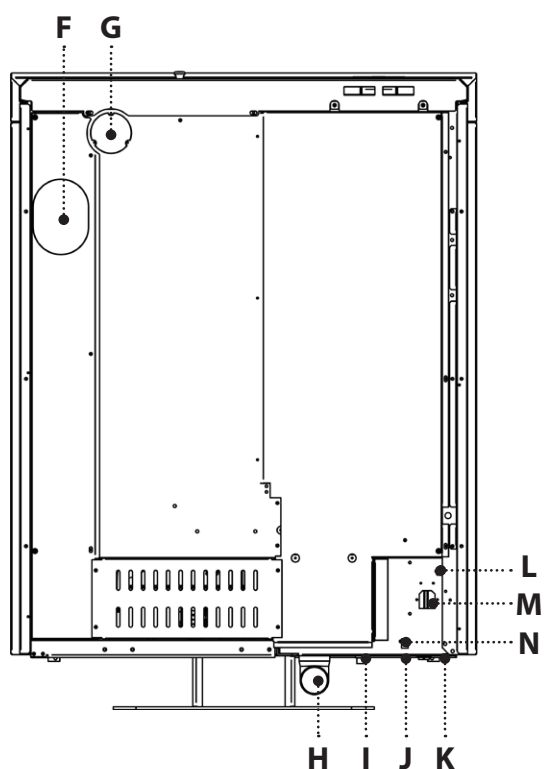
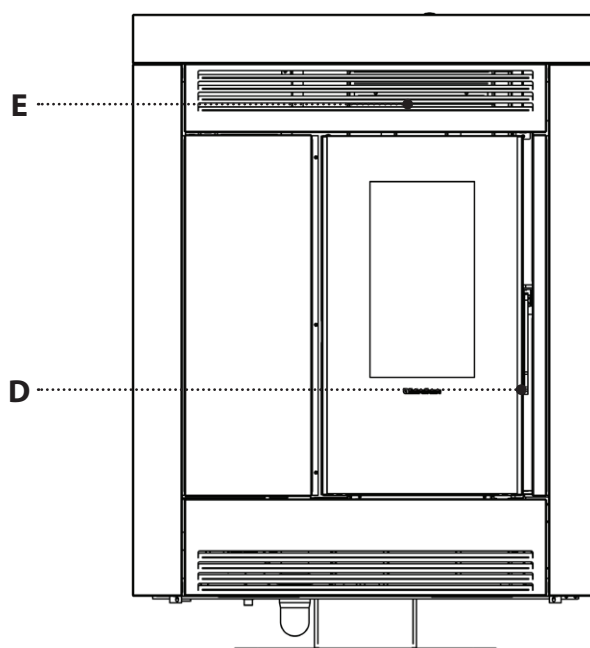
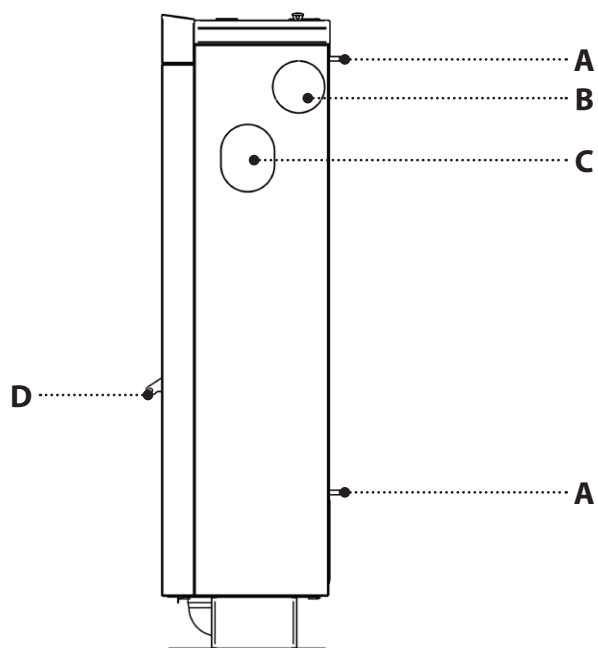
## CONNECTION TO THE MAINS ELECTRIC SUPPLY

The generator is supplied with an electric power cable to be plugged into a 230V 50 Hz socket, possibly with a circuit breaker switch. The socket must be easily accessible.

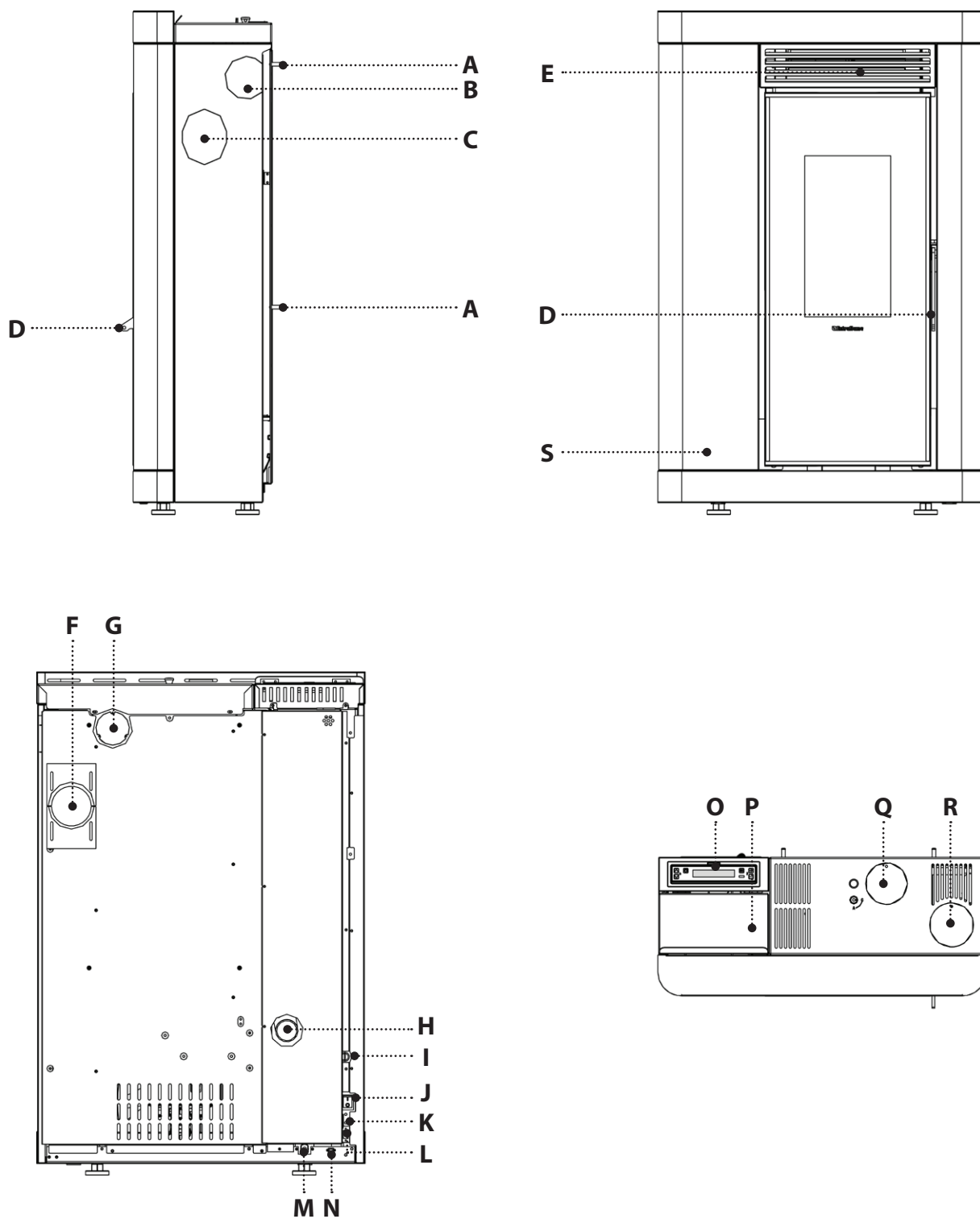
The electrical system must be compliant with standards. The efficiency of the earthing circuit must be checked. Unsuitable earthing of the system can cause malfunctioning for which the manufacturer will not be held liable.

Power supply variations beyond 10% can cause faulty operation of the product.

## SOUVENIR EVO DETAILS



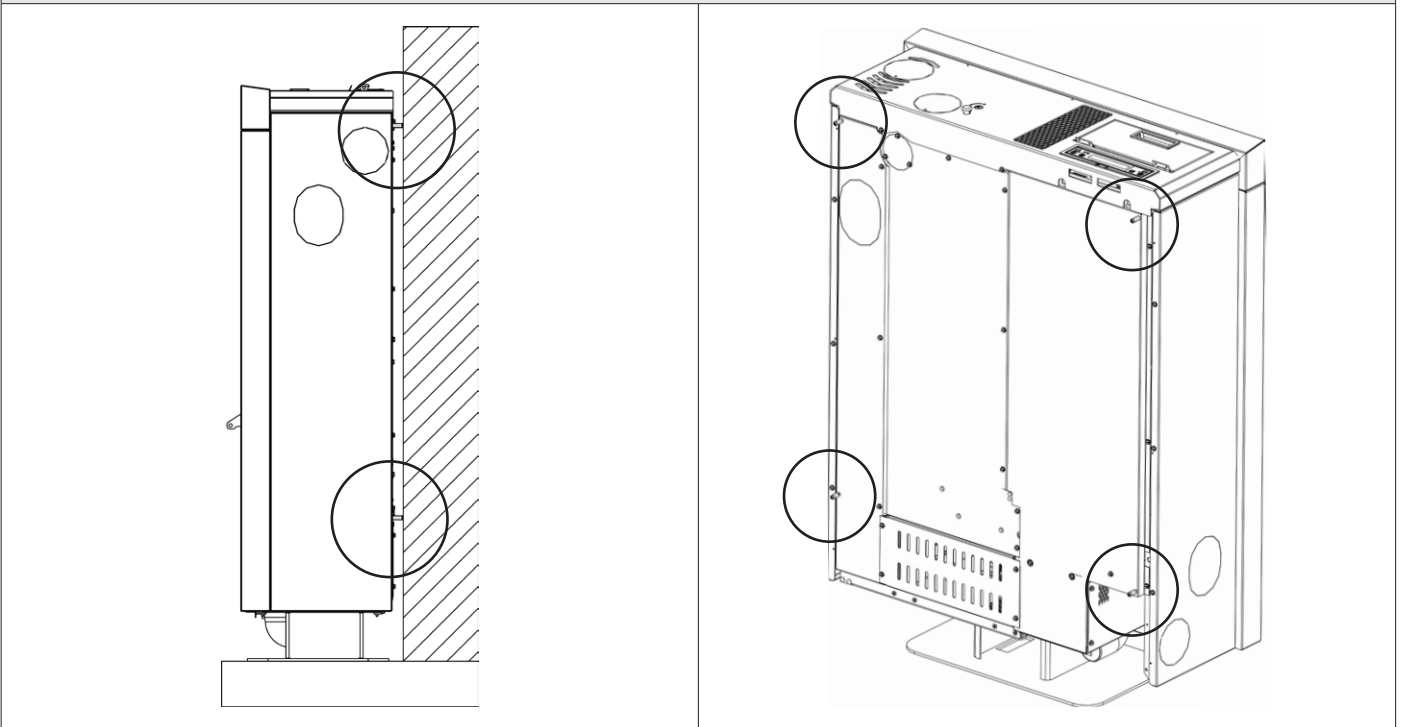
A	Spacer	J	Serial input
B	Lateral ducting	K	On/Off
C	Lateral fumes exhaust	L	Room probe
D	Access to combustion chamber	M	Power supply 230V + Fuse
E	Room air outlet	N	TA additional thermostat input
F	Rear flue gas outlet	O	Display
G	Rear ducting	P	Pellet hopper
H	Combustion air inlet	Q	Upper ducting
I	Bulb thermostat reactivation	R	Upper fumes exhaust



A	Spacer	K	Room probe
B	Lateral ducting	L	Serial input
C	Lateral fumes exhaust	M	Power supply 230V
D	Access to combustion chamber	N	TA additional thermostat input
E	Room air outlet	O	Display
F	Rear flue gas outlet	P	Pellet hopper
G	Rear ducting	Q	Upper ducting
H	Combustion air inlet	R	Upper fumes exhaust
I	Bulb thermostat reactivation	S	Fuse
J	On/Off		

## SPACERS

There are 2 spacers located at the back of the machine which determine the minimum distance from any support behind the stove. The spacers must not be removed.



## HOT AIR DUCTING

The pipe used for ducting the hot air must have an internal diameter of 80 mm and it must also be insulated or at least be protected against heat dispersion.

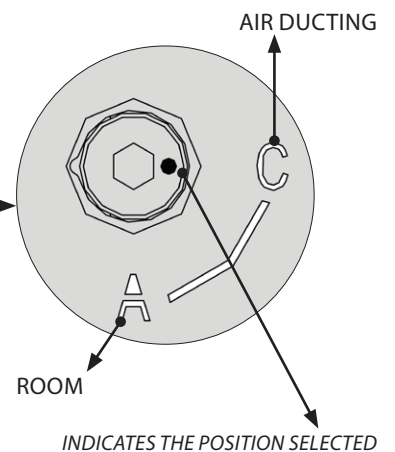
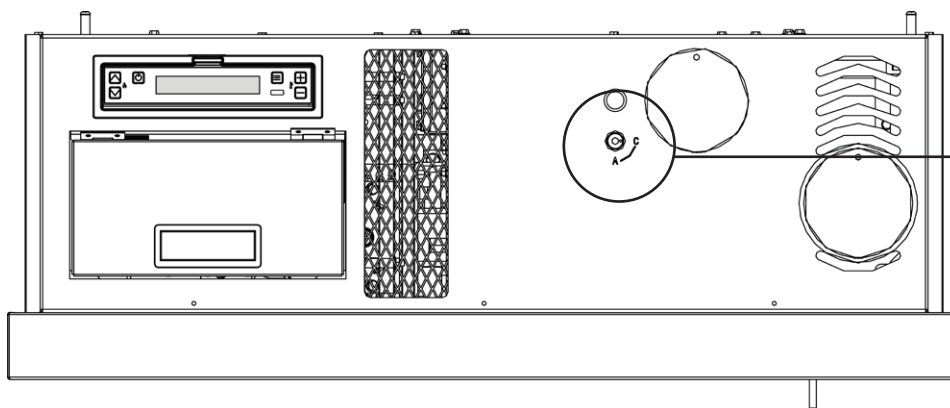


**THE RELATIVE HOT AIR DUCTING PIPES MUST BE INSTALLED BY QUALIFIED PERSONNEL AND/OR BY THE MANUFACTURER'S TECHNICIANS**

In these products, it is possible to decide when to use the air ducting (POSITION "C") by manually deviating the flow of hot air, using the key (B) supplied, which can be inserted in the special housing on the top part of the stove (by default POSITION "A").

It is possible to move the lever from POSITION "A" to POSITION "C" only after the air ducting pipes have been installed by the qualified technician.

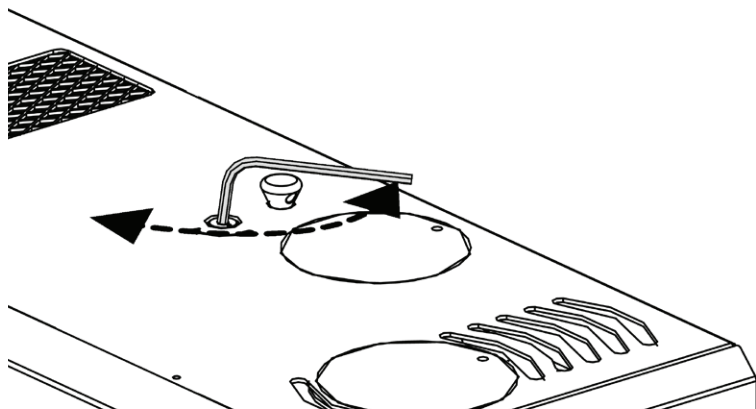
Turn counter-clockwise (POSITION "C") to send part of the air into the ducting; turn clockwise (POSITION "A") to send the air into the room.



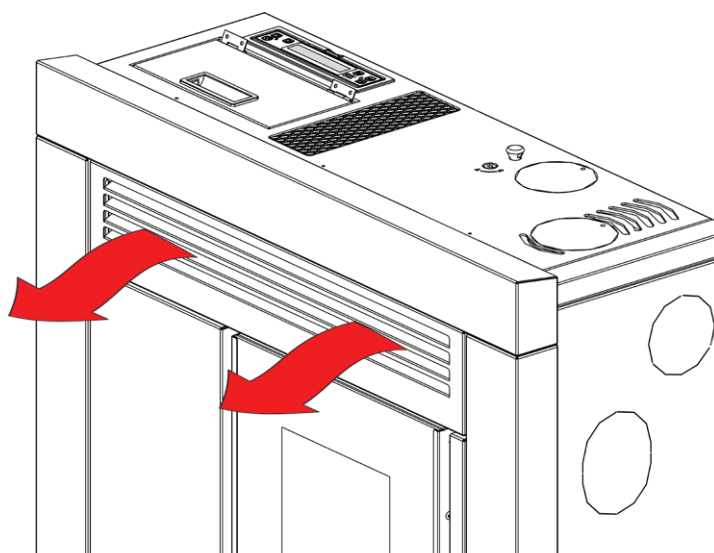
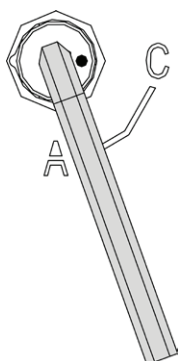
The products can be ducted at the back (1), on the side (2) or on the top (3): it is possible to use only one duct as required. For further information on installation, see the instruction sheet inside the machine.

## Features:

- ♦ rear, lateral or upper outlet
- ♦ diameter of air ducting outlet: 80 mm
- ♦ maximum recommended air ducting length 6 m
- ♦ the ducting is not thermostatable
- ♦ 2 possible settings: AUTO, COMFORT

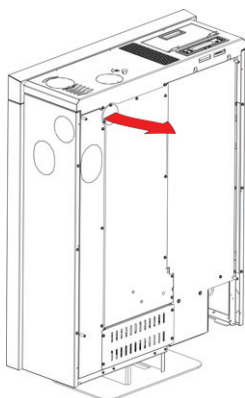
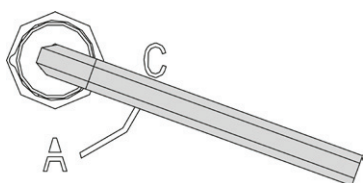


## POSITION A (default)

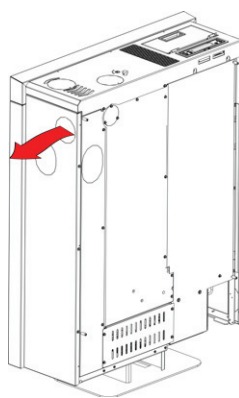


Front ventilation

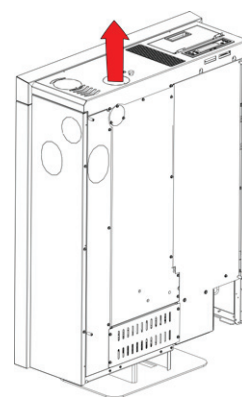
## POSITION C



1 - Rear air ducting



2 - Lateral air ducting



3 - Upper air ducting

## STOVE POSITIONING

To ensure the stove works correctly, it should always be positioned so that it is perfectly level, using a spirit level.

## NOTES FOR CORRECT OPERATION

The following indications must be respected for correct pellet stove operation:

Both during stove operation and when it is not used, all hatches (door, ash drawer, hopper door) must remain closed at all times. They can be opened only for the time required to load the fuel and for maintenance.

Failure to comply with the above during operation will cause the display to show the following:

"CLOSE HOPPER - STOVE DOOR"

This indication means that you have 60 seconds to close all doors.

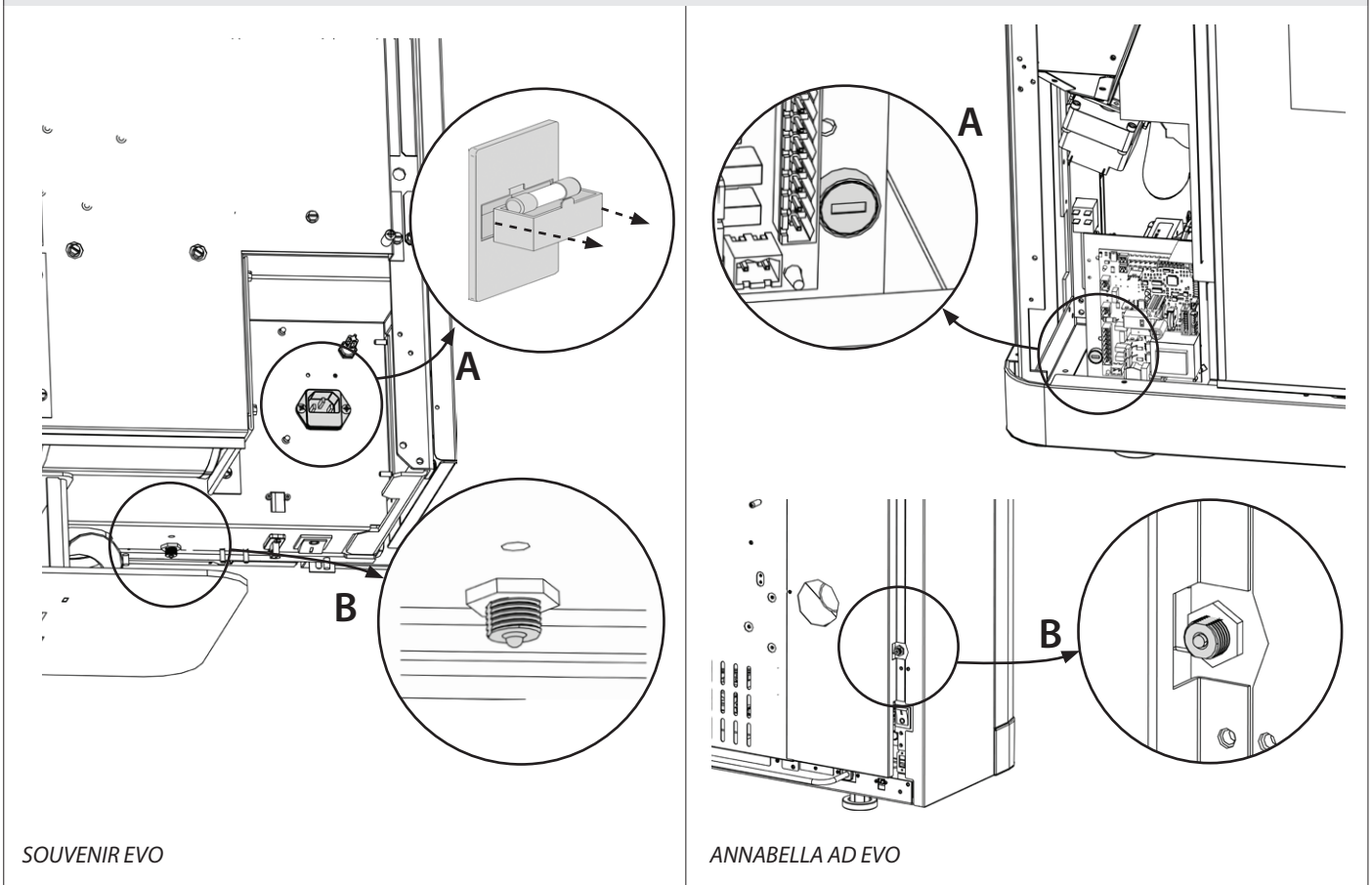
After the 60 seconds, during ignition the stove will go into "DEPR ALARM" mode, while during normal operation the stove will go into "COOLING STAND BY" mode before automatically resuming operation once the conditions are satisfied (cold stove, etc.).

### FUSE

If the stove is not powered, have the condition of the fuse (A) checked by a qualified technician

### BULB THERMOSTAT REACTIVATION

The figure shows the position of the hopper safety thermostat (B). It is recommended to contact the qualified technician if one of the thermostats is triggered, so as to verify the cause.



SOUVENIR EVO

ANNABELLA AD EVO

## PELLETS AND LOADING

Pellets are made by subjecting wood shavings i.e. the rejects of pure unpainted wood from sawmills, carpentry products and products from other activities connected to wood working and transformation, to very high pressures.

This type of fuel is fully ecological as no glues are used for its compaction. In fact, pellet compactness is guaranteed over time by a natural substance found in wood: lignin.

In addition to being an ecological fuel, making best use of wood residue, pellets also have a series of technical advantages.

While wood has a calorific value of 4.4 kWh/kg (with 15% moisture, therefore after approximately 18 months of curing), that of pellets is 5 kWh/kg.

Pellet density is about 650 kg/m<sup>3</sup> and water content is equal to 8% of its weight. For this reason pellets do not need to be cured to obtain a sufficient heat yield.

The pellets used must be class **A1** certified according to standard **ISO 17225-2 (ENplus-A1, DIN Plus or NF 444** of the following category: "High quality NF biocombustible wood pellets").

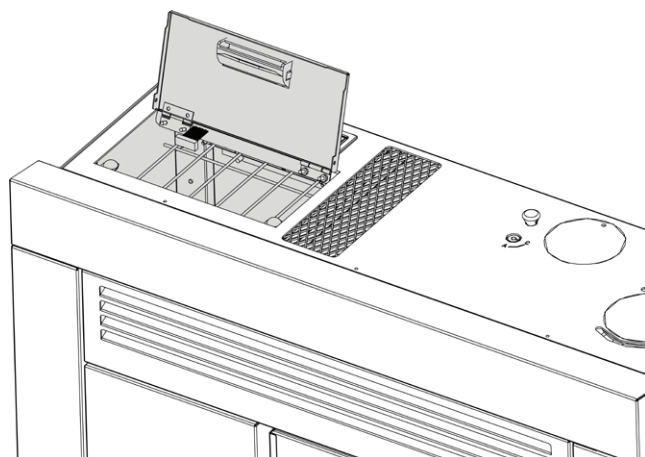
**UNI EN 303-5** with the following characteristics: water content ≤ 12%, ash content ≤ 0.5% and lower calorific value >17 MJ/kg (in the case of boilers).

The Manufacturer recommends using pellets with a diameter of 6mm with its products.

### PELLET STORAGE

To guarantee combustion without problems, the pellets must be kept in a dry place.

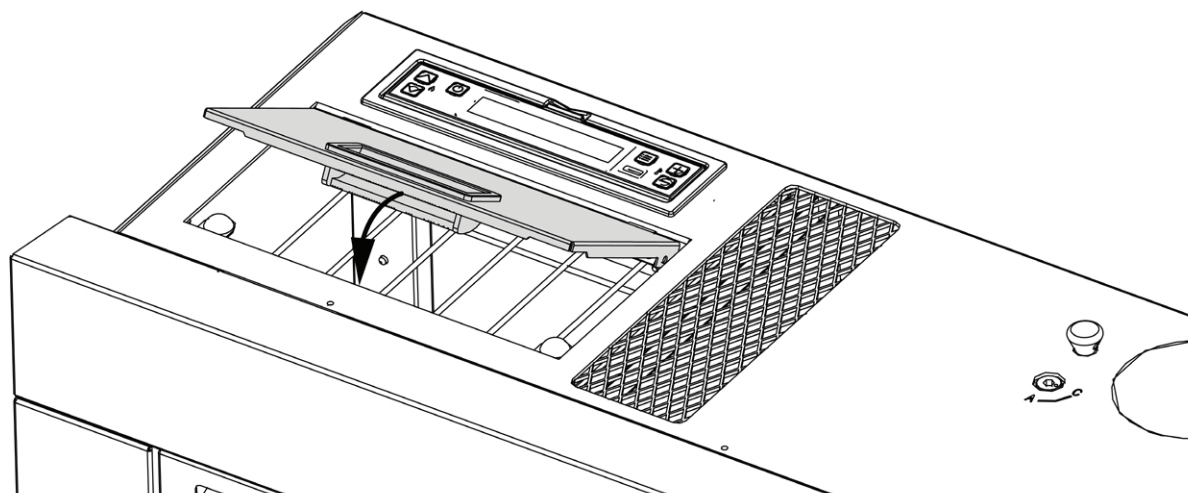
Open the tank lid and load the pellets using a scoop.



**THE USE OF POOR QUALITY PELLETS OR ANY OTHER MATERIAL DAMAGES THE FUNCTIONS OF THE GENERATOR AND MAY INVALIDATE THE WARRANTY AND RELIEVE THE MANUFACTURER OF ALL RESPONSIBILITY.**

## PELLET HOPPER

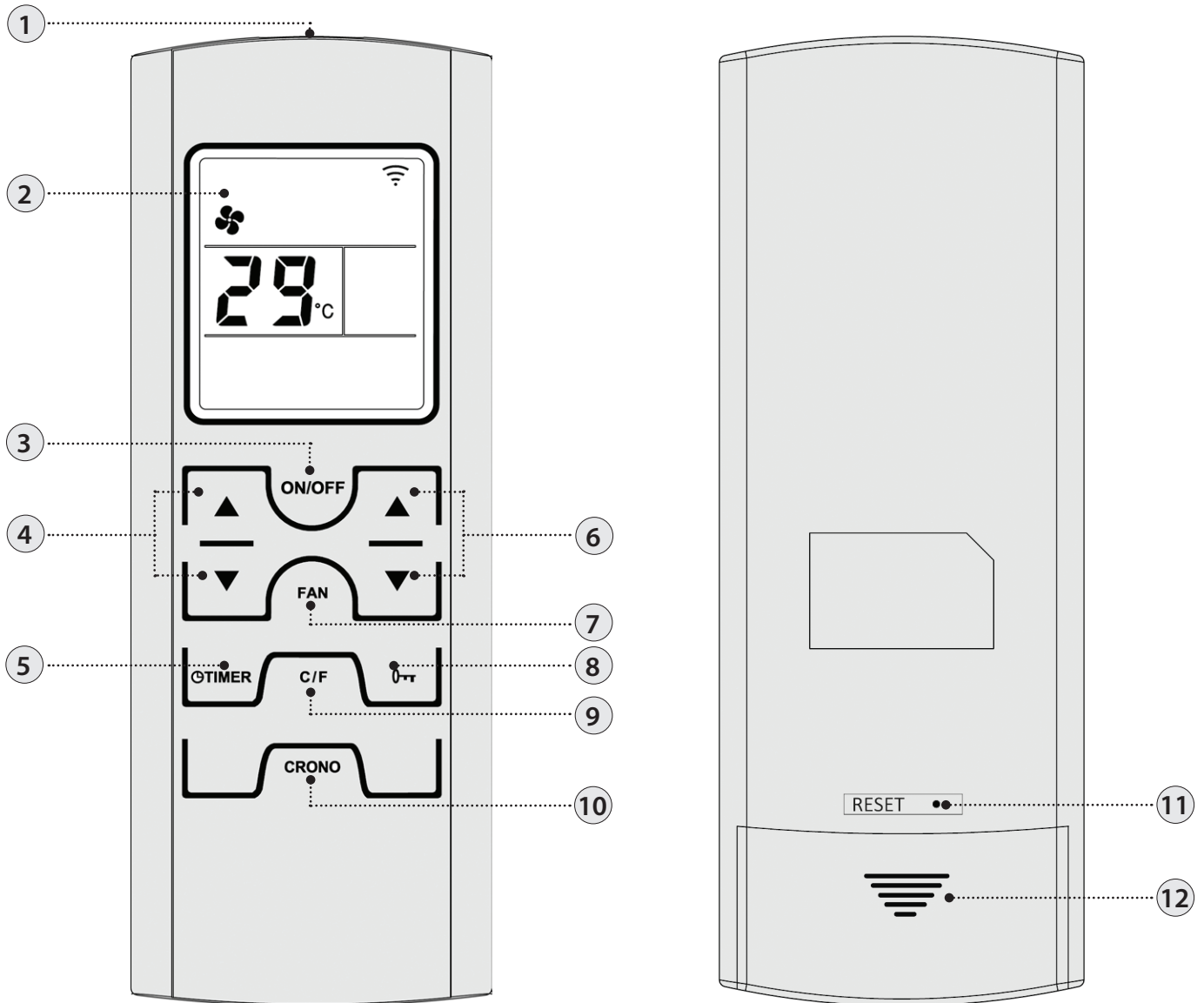
During stove operation, the pellet hopper lid must always be closed.



**DO NOT PLACE THE BAG DIRECTLY ON THE STOVE WHEN LOADING THE HOPPER! ALWAYS USE A SCOOP TO LOAD THE HOPPER. DO NOT RUB AGAINST OR PLACE WEIGHTS ON THE HOPPER SEAL. KEEP THE HOPPER LID SEAL SUPPORTING SURFACE CLEAN AT ALL TIMES. CHECK THE CONDITIONS OF THE SEAL FREQUENTLY. IN CASE OF DETERIORATION, CONTACT YOUR LOCAL AUTHORISED TECHNICIAN.**

## REMOTE CONTROL





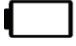


The remote control can be used to adjust the main stove functions.



<b>1</b>	Transmitter	<b>7</b>	Select air mode
<b>2</b>	Display	<b>8</b>	Lock keyboard
<b>3</b>	On/off stove (hold for 3 seconds)	<b>9</b>	Degrees Celsius / Fahrenheit
<b>4</b>	Set power	<b>10</b>	Press the button once to enable or disable the chrono
<b>5</b>	Set switch-off delay: The button allows to set the switch-off delay. For example, if you set it to one hour, the stove will automatically switch off after the set time	<b>11</b>	Reset
<b>6</b>	Set room temperature	<b>12</b>	Battery compartment



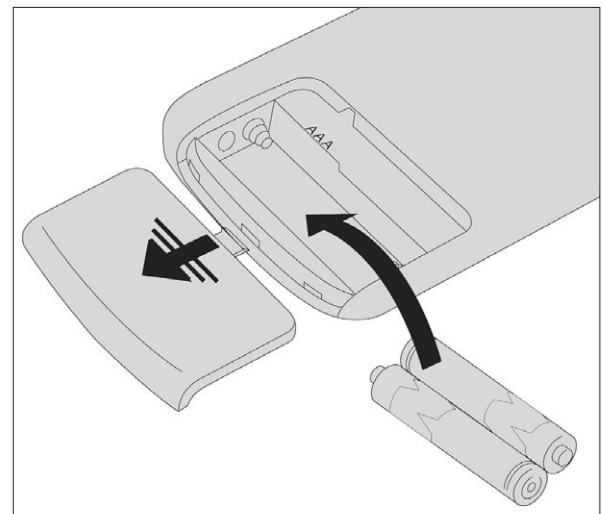
## REMOTE CONTROL ICONS

	Air mode selected: Flashing COMFORT On AUTO		Enable chrono Light on = activated Light off = deactivated
<b>OFF TIME</b> 	Set switch-off delay		Indicates the transmission of the radio signal On = during all radio communication Off = radio communication absent
	Battery low		Keys locked
	Set power level. The power level is displayed, instead of the set room temperature, for 3 seconds when one of the set power buttons is pressed (4).		

## INSERTING THE BATTERIES

Remove the battery compartment cover by sliding it down. Insert 2 AAA batteries.

Insert the batteries respecting the correct polarity (+) and (-).  
Close the cover of the battery compartment.



**IF THE REMOTE CONTROL IS SWITCHED OFF DUE TO NO BATTERY INSTALLED, THE STOVE CAN BE CONTROLLED FROM THE COMMAND PANEL LOCATED ON THE UPPER PART OF THE STOVE. WHEN CHANGING THE BATTERIES, MAKE SURE YOU FOLLOW THE SYMBOLS PRINTED INSIDE THE REMOTE CONTROL.**

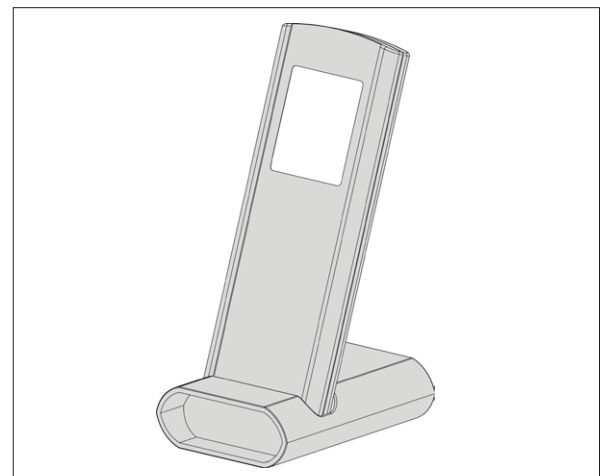


### Respect the environment!

Used batteries contain metals that are harmful to the environment, and therefore must be disposed of separately in special containers.

## ADVICE AND PRECAUTIONS FOR THE USE OF THE REMOTE CONTROL

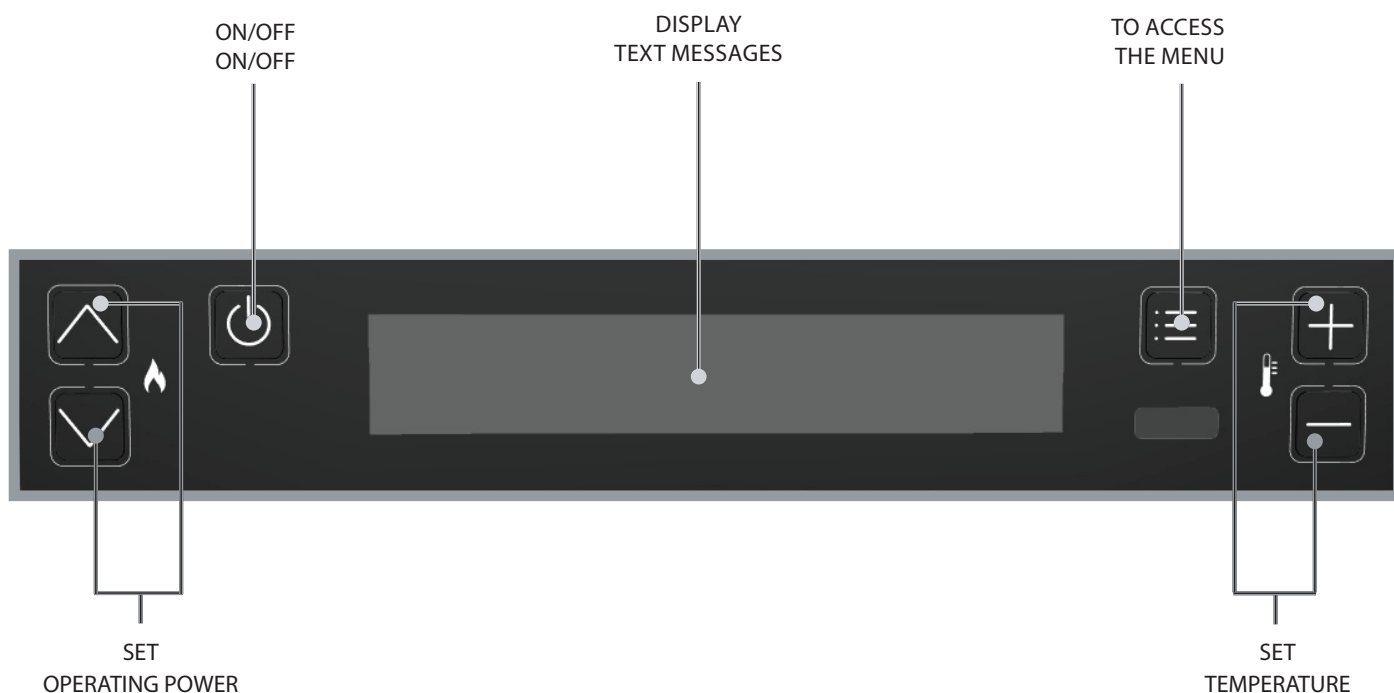
- ◆ Remove the batteries if it is not used for a long time.
- ◆ When being used, direct it towards the stove's signal receiver.
- ◆ Handle the remote control with care. When it is not being used, place it on the special base supplied.
- ◆ The remote control must not be left in a place where it is exposed to direct sunlight or near a source of heat.
- ◆ The quality of the signal may be affected by other IR sources.



**THE REMOTE CONTROL IS FITTED WITH AN LCD BACKLIT DISPLAY. THE BACKLIGHTING LASTS 20 SECONDS FROM THE LAST PRESS OF A BUTTON. AFTER A CERTAIN TIME, TO SAVE BATTERY POWER, THE DISPLAY TURNS OFF (ENERGY SAVING MODE).**

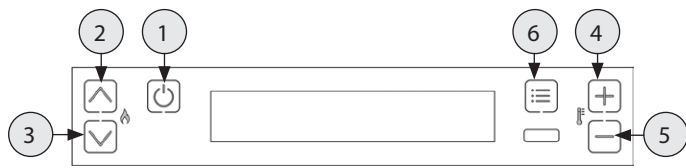
**THE CONTROL FUNCTIONS ARE REACTIVATED WHEN THE REMOTE IS REMOVED FROM ITS UNIT OR BY A LONG PRESS OF THE BUTTON.**

## CONTROL BOARD

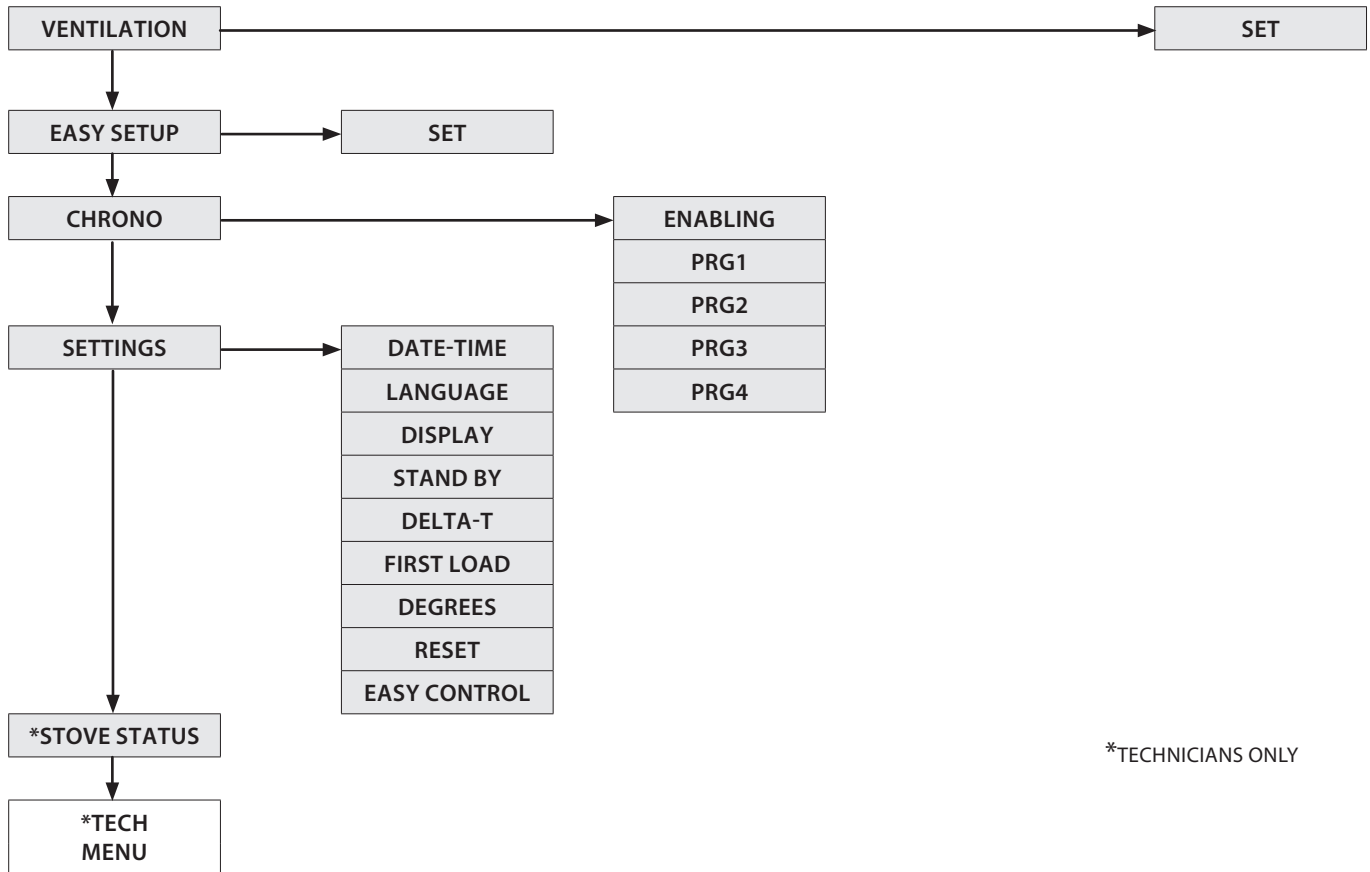


ICON KEY			
	Indicates the presence of an alarm. Off: indicates that there are no alarms On: indicates the presence of an alarm		Indicates the status of the weekly programming Off: deactivated. On: activated.
<b>BT</b>	Not in use	<b>WI-FI</b>	Not in use
	Indicates the contact of the external additional thermostat Closed contact: the contact of the external additional thermostat is closed. Open contact: the contact of the external additional thermostat is open.  (Icon visible only if <b>SET THERMOSTAT</b> is set to "LOW-TA")	<b>STBY</b>	<b>STAND BY</b> function icon Off: deactivated. On: activated.
	Indicates the stove power. Flame on: stable power. Flame flashing: the power is increasing or decreasing. The dashes indicate the actual power of the machine.		Not in use.
	Indicates the operation of the tangential fan. Off = ventilation not active. On = ventilation active. Flashing = ventilation active in <b>COMFORT</b> mode		Indicates the <b>DELAY SWITCH-OFF</b> function  On = delay switch-off active Off = delay switch-off not active

## GENERAL MENU



- ① Go back - exit
- ② ③ Scroll parameters: next (3); previous (2)
- ④ ⑤ Change settings data: increase (4); decrease (5)
- ⑥ Confirm - access menu



\*TECHNICIANS ONLY

## GENERAL WARNINGS

### Advice to follow for the first start-ups of the product:

During the first hours of operation, there may be some smoke or odours, but they are due to the normal "thermal break-in" process. During this process, the duration of which changes depending on the product, it is recommended to:

- ♦ Ventilate the room well
- ♦ If present, remove any majolica or natural stone parts from the top part of the product
- ♦ Activate the product at the maximum power and temperature
- ♦ Avoid remaining in the room for a long time
- ♦ Do not touch the surfaces of the product

### Notes:

The process is completed after a few heating/cooling cycles. For combustion, do not use elements or substances other than those indicated in the manual.

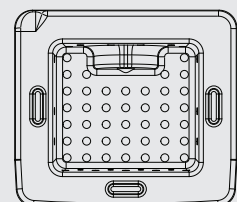
### Before turning on the product, it is necessary to perform the following checks:

- ♦ If it is intended to be connected to a hydraulic system, it must be complete and fully functional and in compliance with the instructions given in the product manual and with the relevant regulations in force.
- ♦ The pellet hopper must be fully loaded
- ♦ The combustion chamber and the burn pot must be clean
- ♦ Make sure that the fire holder, the ash drawer and the pellet hopper close hermetically (if present in the hermetic version); they must be closed and there must be no foreign bodies in the sealing elements and gaskets.
- ♦ Check that the power cord is properly connected
- ♦ The switch (if present) must be set to position "1".



**MAKE SURE THAT THERE ARE NO RESIDUES OR DIRT AT THE BOTTOM OF THE BURN POT. THE HOLES AT THE BOTTOM MUST BE COMPLETELY FREE TO GUARANTEE PROPER COMBUSTION. THE "EASY SETUP" FUNCTION CAN BE USED TO ADAPT COMBUSTION BASED ON THE DESCRIBED NEEDS.**

BURN POT BOTTOM



## FIRST IGNITION SETTINGS

Once the power cord at the back of the stove has been connected, move the switch, also located on the back, to (I).  
The switch at the back of the stove powers the stove board.

### DATE-TIME

This menu allows the date and time to be set.

#### CONTROLS PROCEDURE

- ◆ Press key 6.
- ◆ Press key 3 until **SETTINGS** appears and confirm by pressing key 6.
- ◆ Confirm **DATE-TIME** by pressing key 6 and using keys 4 and 5 to set the day.
- ◆ Continue by pressing key 6.
- ◆ Use keys 4 or 5 to set and key 6 to advance, to set the day, hour, minutes, date, month, year.
- ◆ Press key 6 to confirm and key 1 to scroll back through the menus until the initial page.

### LANGUAGE

This menu allows the preferred language to be selected.

The available languages are:

Italiano - English - Deutsch - Français - Español - Português - Dansk - Eesti - Hrvatski - Slovenscina - Nederlands - Polski - Czech.

#### CONTROLS PROCEDURE

- ◆ Press key 6.
- ◆ Press key 3 until **SETTINGS** appears and confirm by pressing key 6.
- ◆ Press key 3 until **LANGUAGE** appears and confirm by pressing key 6.
- ◆ Select the language using keys 4 or 5.
- ◆ Press key 6 to confirm and key 1 to scroll back through the menus until the initial page.

### DEGREES

This menu allows you to set the unit of measurement for the temperature. The predefined value is °C.

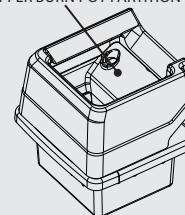
#### CONTROLS PROCEDURE

- ◆ Press key 6.
- ◆ Press key 3 until **SETTINGS** appears and confirm by pressing key 6.
- ◆ Press key 3 until **DEGREES** appears and confirm by pressing key 6.
- ◆ Use keys 4 -5 to select Celsius or Fahrenheit.
- ◆ Press key 6 to confirm and key 1 to scroll back through the menus until the initial page.



**IT IS FORBIDDEN TO USE THE DEVICE WITHOUT A PARTITION AND/OR FLAME GUARD (SEE FIGURE TO THE SIDE). REMOVAL WILL COMPROMISE THE SAFETY OF THE PRODUCT AND RESULT IN THE IMMEDIATE NULLIFICATION OF THE WARRANTY PERIOD. IN THE EVENT OF WEAR OR DETERIORATION, ASK THE AFTER-SALES SERVICE TO REPLACE THE PARTS (REPLACEMENT DOES NOT FALL WITHIN THE PRODUCT WARRANTY AS THE PART IS SUBJECT TO WEAR).**

UPPER BURN POT PARTITION



#### NO IGNITION

**THE APPLIANCE MAY FAIL TO LIGHT BECAUSE THE AUGER IS EMPTY AND NOT ALWAYS ABLE TO LOAD THE BURN POT FAST ENOUGH WITH THE PELLETS NEEDED FOR NORMAL IGNITION. IF THE PROBLEM OCCURS AFTER ONLY A FEW MONTHS OF OPERATION, CHECK THAT THE ROUTINE CLEANING DESCRIBED IN THE STOVE HANDBOOK HAS BEEN CARRIED OUT CORRECTLY**

## OPERATION AND LOGIC

### IGNITION

Once the previously listed points have been checked, press key 1 for three seconds to ignite the stove. During ignition, the stove will check for a flame for a period of 15 minutes. Once the control temperature has been reached, the stove interrupts the ignition phase and switches to PREPARATION.

### PREPARATION

During the preparation phase, the stove stabilises combustion, increasing it progressively, to then start ventilation and switch to WORK.

### WORK

In the work phase, the stove switches to the Set Power defined by the user, heating the room until Set Thermostat is achieved. See next heading.

### SET THERMOSTAT

The Set room thermostat can be set using keys 4 and 5, from LOW-TA - 7°C - 37°C - **HOT**. If the value is between 07°C-37°C, the stove checks the room temperature using a probe on the machine. Once the set temperature has been reached, the stove automatically reduces the power, guaranteeing best comfort and reducing pellet consumption: this process is called "modulation".

### LOW-TA / HOT

If the Set Thermostat is "LOW-TA" (set under the 7° threshold), temperature checking is entrusted to the additional thermostat contact, thus bypassing the on-board temperature probe.

If the contact is closed (request), the stove works at the set power.

If the contact is open (fulfilled), the stove works at minimum power.

If the setting is on "HOT" (set above 37°C) the stove always operates at the set power, ignoring the external contact and the temperature probe.

### SET POWER

Set Power has 5 levels of operation. The power can be changed with keys 2 or 3.

Power 1 = minimum level - Power 5 = maximum level.

Press key 1 to exit and save the change.

### AUTO BLOW

During the work phase, the stove cleans the burn pot at regular intervals with the function called "AUTO BLOW".

When this procedure starts, a message is displayed. During the "AUTO BLOW" procedure, the pellet feed slows down and the fumes motor increases.

After cleaning, the stove resumes operation in normal conditions.

### SWITCH-OFF

Press key 1 for three seconds.

Once this operation has been performed, the appliance automatically enters the switch-off phase, blocking the pellet feed.

The flue gas exhaust motor and the hot air flow motor will remain on until the stove temperature has dropped below the safety settings.

### REIGNITION

The stove can only be re-ignited if the temperature of the exhaust fumes is lower than the preset threshold and the minimum safety time has passed.



**DO NOT USE ANY TYPE OF FLAMMABLE LIQUIDS FOR IGNITION!**  
**DO NOT ALLOW THE BAG OF PELLETS TO COME INTO CONTACT WITH THE BOILING HOT STOVE DURING THE FILLING PHASE!**  
**IN THE EVENT OF CONTINUED FAILURE TO LIGHT, CONTACT AN AUTHORISED TECHNICIAN.**

## VENTILATION

This menu allows for the ventilation motor speed to be set. Range: (COMFORT, AUTO).  
When COMFORT mode is selected, the air speed is reduced with respect to AUTO mode.

### CONTROLS PROCEDURE

- ◆ Press key 6.
- ◆ Confirm VENTILATION by pressing 6.
- ◆ Use keys 4-5 to set the desired mode.
- ◆ Press key 6 to confirm and key 1 to scroll back through the menus until the initial page.

## EASY SETUP

The volumetric weight of the pellet is the ratio between the weight and the volume of the pellet. This ratio may change without altering pellet quality. By using the EASY SETUP function, it is possible to change the calibration of the volumetric weight by increasing or decreasing the preset values.

In the stove program, the available values range from “- 3” to “+ 3”; all stoves are calibrated during production with the optimal value, which is 0.

If you notice an excessive deposit in the burn pot, access the EASY SETUP program and lower the value by one unit to “- 1”; then wait until the next day and if there is no improvement, decrease again, to a maximum of “- 3”.

Instead, if it is necessary to increase the calibration of the volumetric weight of the pellet, change the factory value from “0” to “+ 1, + 2, + 3” as required.

EXCESSIVE PELLETT DEPOSIT IN BURN POT			NORMAL OPERATION	MINIMUM PELLETT DEPOSIT IN BURN POT		
-3	-2	-1	0	+1	+2	+3
THIRD DECREASE RANGE IF THE FIRST TWO ARE INSUFFICIENT	SECOND DECREASE RANGE IF THE FIRST IS INSUFFICIENT	FIRST DECREASE RANGE (TEST FOR 1 DAY)	OPTIMAL FACTORY VALUE	FIRST INCREASE RANGE	SECOND INCREASE RANGE IF THE FIRST IS INSUFFICIENT	THIRD INCREASE RANGE IF THE FIRST TWO ARE INSUFFICIENT

### CONTROLS PROCEDURE

- ◆ Press key 6.
- ◆ Press key 3 until EASY SETUP appears and confirm by pressing key 6.
- ◆ Use keys 4 -5 to set the range.
- ◆ Press key 6 to confirm and key 1 to scroll back through the menus until the initial page.

**N.B.: IF THESE ADJUSTMENTS DO NOT SOLVE THE PROBLEM OF PELLETT DEPOSITS IN THE BURN POT, PLEASE CONTACT YOUR LOCAL SERVICE CENTRE.**

## CHRONO



This function allows stove ignition and switch-off to be automatically programmed.  
The factory setting for **CHRONO** is off.

The chrono allows the programming of 4 time slots per day, which can be used every day of the week.

**For each time slot, it is possible to set ignition and switch-off times, specific days of application, desired temperature and set power. Current day and time settings are essential for the correct operation of the Chrono.**

### Recommendations

Before using the chrono function, it is necessary to set the current date and time, so check that you have followed the points listed in the sub-chapter "DATE-TIME". To use the chrono function correctly, it must not only be programmed, but also enabled. The 4 time slots can be overlapped using the ignition and switch-off time settings. In this way, it is possible to create a combination of time slots with different temperatures and power levels, without changing the status of the stove.

N.B.: in the case of overlapping time slots, the stove will remain on until the last switch-off time.

## ENABLING/DISABLING THE CHRONO

### CONTROLS PROCEDURE

- ◆ Press key 6.
- ◆ Press 3 until **CHRONO** appears and confirm by pressing key 6.
- ◆ Confirm **ENABLING** by pressing 6.
- ◆ Use keys 4 -5 to enable (**ON**) or disable (**OFF**)
- ◆ Press key 6 to confirm and key 1 to scroll back through the menus until the initial page.

<b>CHRONO</b>	>	<b>ENABLING</b>	>	<b>PRG1</b>	On/off	Enable/disable PRG 1
		∨		<b>PRG2</b>	On/off	Enable/disable PRG 2
		∨		<b>PRG3</b>	On/off	Enable/disable PRG 3
		∨		<b>PRG4</b>	On/off	Enable/disable PRG 4
		<b>PRG1</b>	>	<b>START PRG1</b>	OFF-00:00	Ignition time PRG1
		∨		<b>STOP PRG1</b>	OFF-00:00	Switch-off time PRG1
		∨		<b>MONDAY...SUNDAY</b>	On/off	Enable/disable days PRG1
		∨		<b>SET PRG1</b>	LOW-TA - 07- 37 °C - HOT	Set thermostat PRG1
		∨		<b>POWER PRG1</b>	1-5	Set power PRG1
		<b>PRG2</b>	>	<b>START PRG2</b>	OFF-00:00	Ignition time PRG2
		∨		<b>STOP PRG2</b>	OFF-00:00	Switch-off time PRG2
		∨		<b>MONDAY...SUNDAY</b>	On/off	Enable/disable days PRG2
		∨		<b>SET PRG2</b>	LOW-TA - 07- 37 °C - HOT	Set thermostat PRG2
		∨		<b>POWER PRG2</b>	1-5	Set power PRG2
		<b>PRG3</b>	>	<b>START PRG3</b>	OFF-00:00	Ignition time PRG3
		∨		<b>STOP PRG3</b>	OFF-00:00	Switch-off time PRG3
		∨		<b>MONDAY...SUNDAY</b>	On/off	Enable/disable days PRG3
		∨		<b>SET PRG3</b>	LOW-TA - 07- 37 °C - HOT	Set thermostat PRG3
		∨		<b>POWER PRG3</b>	1-5	Set power PRG3
		<b>PRG4</b>	>	<b>START PRG4</b>	OFF-00:00	Ignition time PRG4
				<b>STOP PRG4</b>	OFF-00:00	Switch-off time PRG4
				<b>MONDAY...SUNDAY</b>	On/off	Enable/disable days PRG4
				<b>SET PRG4</b>	LOW-TA - 07- 37 °C - HOT	Set thermostat PRG4
				<b>POWER PRG4</b>	1-5	Set power PRG4

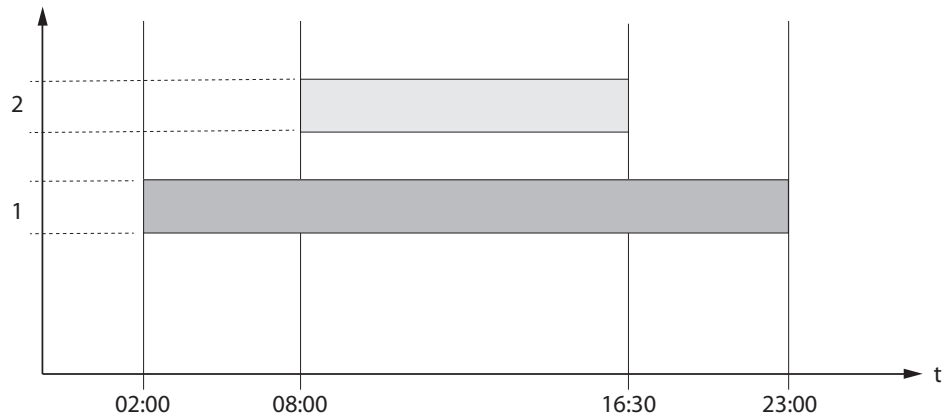


IF THE WEEKLY CHRONO IS ACTIVE ON THE CONTROL PANEL, A SMALL ICON IS DISPLAYED

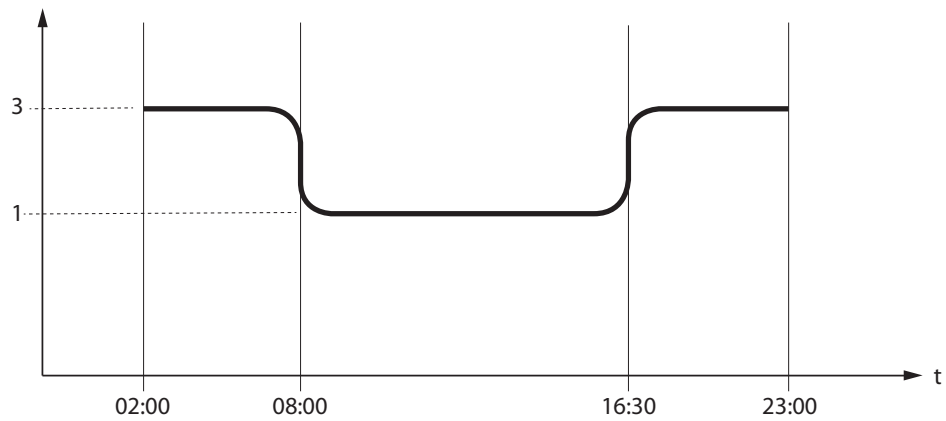


## EXAMPLE OF CHRONO OVERLAPPING TIMES/SLOTS

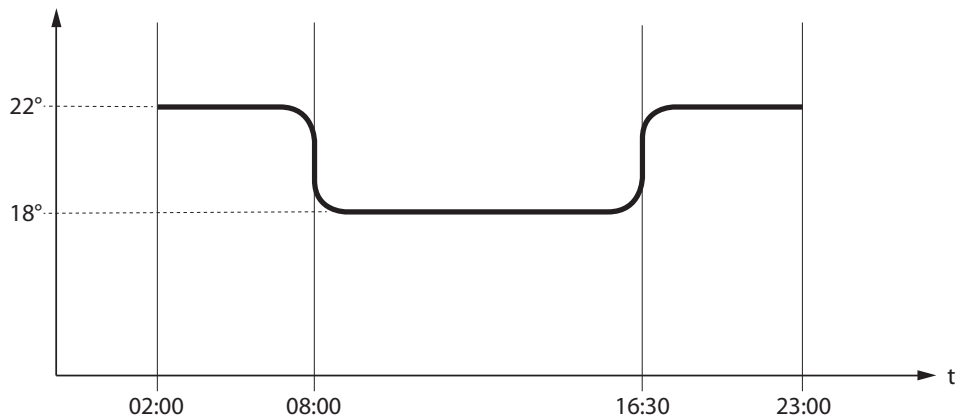
TIME SLOT



SET POWER



SET THERMOSTAT



	Time slot 1	start 02:00 stop 23:00	power 3 - SET THERMOSTAT 22°C
	Time slot 2	start 08:00 stop 16:30	power 1 - SET THERMOSTAT 18°C
	stove operation		



## SETTINGS

- **DATE-TIME**
- **LANGUAGE**
- **DEGREES**

SEE CHAPTER: FIRST IGNITION SETTINGS

## DISPLAY

This menu allows you to adjust the brightness of the display. The values range from OFF, 1 to 20. If set to OFF, the display backlighting is set to maximum brightness and turns off after a 60 second delay.

The backlighting can be turned on again by pressing any key or if the stove is in the alarm condition.

### CONTROLS PROCEDURE

- ◆ Press key 6.
- ◆ Press key 3 until **SETTINGS** appears and confirm by pressing key 6.
- ◆ Keep pressing key 3 until **DISPLAY** appears and confirm by pressing key 6.
- ◆ Use keys 4-5 to set the desired intensity.
- ◆ Press key 6 to confirm and key 1 to scroll back through the menus until the initial page.

## STAND BY

The **STAND BY** function, if enabled, is used when stove switch-off is to be controlled by means of an additional thermostat

### CONTROLS PROCEDURE

- ◆ Press key 6.
- ◆ Press key 3 until **SETTINGS** appears and confirm by pressing key 6.
- ◆ Keep pressing key 3 until **STAND BY** appears and confirm by pressing key 6.
- ◆ Use keys 4-5 to enable (**ON**) / disable (**OFF**).
- ◆ Press key 6 to confirm and key 1 to scroll back through the menus until the initial page.

### **STAND BY FUNCTION SET TO ON**

If the **STAND BY** function is enabled (**ON**) and the room temperature exceeds the **SET THERMOSTAT + DELTA-T OFF** value, then the stove switches off after a preset factory delay, and **STAND BY** will be displayed on the screen.

When the room temperature is lower than the **SET THERMOSTAT - DELTA-T ON** and after a possible cooling time, the stove switches back on.

### **STAND BY FUNCTION SET TO OFF (FACTORY SETTING)**

When the **STAND BY** function is not enabled (**OFF**), if the stove exceeds the set room temperature, it will switch to the minimum power level, modulating and displaying **MODULATION** on the screen. When the room temperature is lower than the **SET THERMOSTAT** the stove will restart at the set power and **WORK** will be displayed on the screen.

## OPERATION WITH ADDITIONAL THERMOSTAT (OPTIONAL)

### **STAND BY FUNCTION SET TO OFF (FACTORY SETTING)**

When the **STAND BY** function is not activated (**OFF**), if the stove exceeds the room temperature set on the additional thermostat (open contact), it switches to the minimum power level and displays **MODULATION** on the screen. When the room temperature is lower than the set value on the additional thermostat (closed contact), the stove will resume operation at the set power, and **WORK** will be displayed on the screen.

### **STAND BY FUNCTION SET TO ON**

If the **STAND BY** function is activated (**ON**), when the room temperature set on the additional thermostat is reached (open contact), the stove will switch off after a pre-set default delay period, and **STAND BY** will be displayed on the screen.

When the room temperature is less than the set temperature on the additional thermostat (closed contact), and after a certain cooling time, the stove ignites again.



FOR CORRECT OPERATION, THE SET THERMOSTAT MUST BE SET TO LOW-TA.  
> SEE THE ADDITIONAL THERMOSTAT SETTINGS CHAPTER


## ADDITIONAL THERMOSTAT

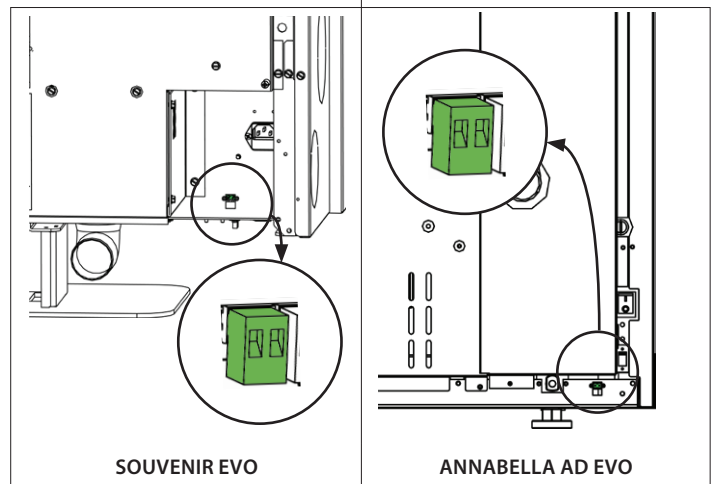
**N.B. : INSTALLATION MUST BE PERFORMED BY AN AUTHORISED TECHNICIAN**

It is possible to control the temperature of a room adjacent to the room where the stove is positioned; simply connect a thermostat following the procedure described in the following section (it is advisable to place the optional mechanical thermostat at a height off the ground equal to 1.50 m). Stove operation with the external thermostat connected in the TA terminal may differ depending on whether or not the STAND BY function is enabled.

### ADDITIONAL THERMOSTAT INSTALLATION

- ◆ Switch the appliance off using the master switch positioned at the back of the stove.
- ◆ Remove the plug from the socket.
- ◆ Connect the two cables of the thermostat (clean contact - no 230 V!) on the terminal (TA) behind the machine.

 **FOR CORRECT OPERATION, SET THE SET THERMOSTAT DEDICATED TO THE ROOM TEMPERATURE TO LOW-TA**



### DELTA-T

This function allows the hysteresis thresholds to be set for stove ignition (DELTA-T ON) and switch-off (DELTA-T OFF), used as a room temperature adjustment interval if not managed by an external thermostat. The possible values of *DELTA-T* vary between: 0.5 - 5°C

#### CONTROLS PROCEDURE

- ◆ Press key 6.
- ◆ Press 3 until **SETTINGS** appears and confirm by pressing 6
- ◆ Press 3 until **DELTA-T** appears and confirm by pressing 6.
- ◆ Use keys 4-5 to set the desired value.
- ◆ Press key 6 to confirm and key 1 to scroll back through the menus until the initial page.

### FIRST LOAD

This function allows the auger to be filled, thus facilitating first stove ignition phases, or in the event the pellet hopper is empty. With the stove cold and "OFF", make sure the pellets have been introduced inside the hopper and activate the **FIRST LOAD** function, confirming by pressing OK.

**To stop the continuous loading, simply press 1 for 3 seconds.**

#### CONTROLS PROCEDURE

- ◆ Press key 6.
- ◆ press key 3 until **SETTINGS** appears and confirm by pressing key 6.
- ◆ Keep pressing key 3 until **FIRST LOAD** appears and confirm by pressing key 6.
- ◆ Use keys 4-5 to enable "ON" / disable "OFF"
- ◆ Press key 1 several times to confirm and exit the menu.

### RESET

Allows the user to reset all editable values to the default values.

#### CONTROLS PROCEDURE

- ◆ Press key 6.
- ◆ Press key 3 until **SETTINGS** appears and confirm by pressing key 6.
- ◆ Press key 3 until **RESET** appears and confirm by pressing key 6.
- ◆ Use keys 4-5 to enable "ON" / disable "OFF"
- ◆ Press key 1 several times to confirm and exit the menu.

## EASY CONTROL

The function allows for two values to be set:

- ◆ OFF (disabled - factory default)
- ◆ ON (enabled)

Activation (EASY CONTROL = ON) is recommended in the event that there is an excessive formation of combustion residues in the flue during operation at reduced power (see FLUE EXHAUST chapter).

**Caution! It is advisable to activate the EASY CONTROL function under the supervision of a qualified technician.**

### CONTROLS PROCEDURE

- ◆ Press key 6.
- ◆ Press key 3 until **SETTINGS** appears and confirm by pressing key 6.
- ◆ Keep pressing 3 until **EASY CONTROL** appears and confirm by pressing 6.
- ◆ Use keys 4-5 to enable "ON" / disable "OFF"
- ◆ Press key 1 several times to confirm and exit the menu.

## ADDITIONAL FUNCTIONS

### DELAY SWITCH-OFF

You can program a delayed switch-off for the stove. For example, if it is 8pm and the delayed switch-off is set to 1h, the stove will switch off automatically at 9pm.

If you press and hold keys 2 + 4 at the same time, the screen "DELAY SWITCH-OFF" will appear, (this setting can only be configured if the stove is in the PREPARATION or WORK phase).

Use keys 4 and 5 to increase/decrease the number of hours after which the stove will automatically start the final cleaning phase.

The number of hours range from OFF, 1 to 9.

Press P6 to confirm and return to the home page.

If the function is active, the timer symbol will appear intermittently. 1h after the set switch-off, the remaining operating time is indicated by displaying the screen with the title "DELAY SWITCH-OFF" and the value "TIME XX:XX" every minute.

### KEYS LOCKED

This function allows you to lock the display keys (similar to mobile phones).

With the function active, each time a key is pressed, the message "KEYS LOCKED" will appear

To lock the keypad, press keys 1 and 5 simultaneously until the following message appears: "KEYS LOCKED"

To unlock the keypad, press keys 1 and 5 simultaneously until the following message appears: "KEYS UNLOCKED"

## CLEANING AND MAINTENANCE

### ALWAYS FOLLOW THE INSTRUCTIONS IN COMPLETE SAFETY!

- ♦ Make sure that the power supply cable plug is disconnected, as the generator may have been programmed to turn on.
- ♦ That the generator is cold all over.
- ♦ That the ashes are completely cold.
- ♦ Ensure efficient air exchange in the room during the product cleaning operations.
- ♦ Poor cleaning will compromise correct operation and safety!

## MAINTENANCE

For correct operation, the generator must undergo routine maintenance by a qualified technician, at least once a year. The periodic inspection and maintenance operations must always be performed by specialised, qualified technicians, who operate in accordance with the laws in force and the instructions given in this use and maintenance manual.



**EVERY YEAR, HAVE THE FUME EXTRACTION SYSTEM, FLUE PIPES AND "T" FITTINGS, INCLUDING THE INSPECTION CAPS CLEANED. IF PRESENT, ALSO CLEAN THE ELBOWS AND HORIZONTAL SECTIONS! THE GENERATOR CLEANING FREQUENCY IS INDICATIVE! IT DEPENDS ON THE QUALITY OF THE PELLET USED AND ON HOW OFTEN IT IS USED. THESE OPERATIONS MAY SOMETIMES NEED TO BE PERFORMED MORE OFTEN**

## PERIODIC CLEANING UNDER USER'S RESPONSIBILITY

The periodic cleaning operations, as indicated in this use and maintenance manual, must be performed with the utmost care after reading the instructions, procedures and frequency described in this use and maintenance manual.

### CLEANING THE SURFACES AND COVERING

#### **Never use abrasive or chemically aggressive detergents for cleaning!**

The surfaces must be cleaned when the generator and coating are completely cold. For the maintenance of the surfaces and metal parts, simply use a cloth dampened with water or with water and neutral soap.

Failure to follow the instructions may damage the surfaces of the generator and result in the invalidation of the warranty.

### CLEANING THE CERAMIC GLASS

#### **Never use abrasive or chemically aggressive detergents for cleaning!**

The ceramic glass must be cleaned when the glass is completely cold.

To clean the ceramic glass, simply use a dry brush and some damp newspaper dipped in ash. If the glass is very dirty, use a specific cleaning agent for ceramic glass. Spray a small amount on a cloth and use it on the ceramic glass. Do not spray the cleaning agent or any other liquid directly on the glass or seals!

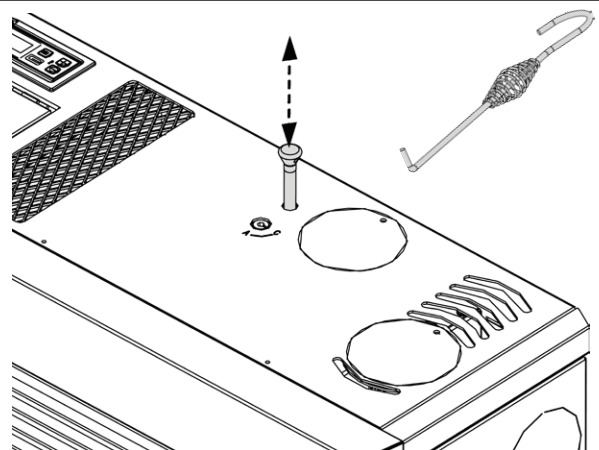
Failure to follow the instructions may damage the surfaces of the ceramic glass and result in the invalidation of the warranty.

### CLEANING THE PELLET HOPPER

When the hopper is completely empty, disconnect the power cord of the generator, remove the residues (dust, chippings, etc.) from the empty hopper and then fill it up.

## HEAT EXCHANGER

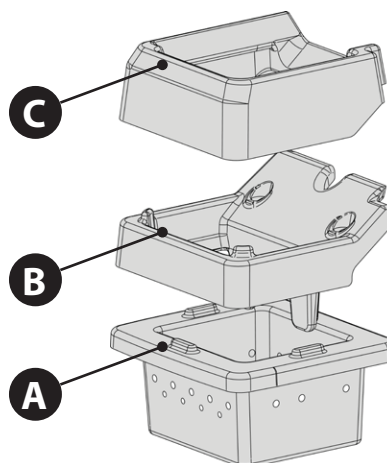
Cleaning the heat exchanger ensures a constant heat output over time. To do this, use the scraper positioned in the upper part of the generator, making upward and downward moments several times. This operation must be performed only when the generator is cold and it can be performed using the poker supplied.



## BURN POT ASSEMBLY

The burn pot assembly consists of several parts: The burn pot (A), where combustion physically occurs, the chute (B) and the flame guard (C).

Unblock all the holes in the burn pot using the supplied poker.

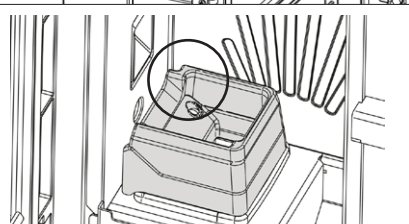
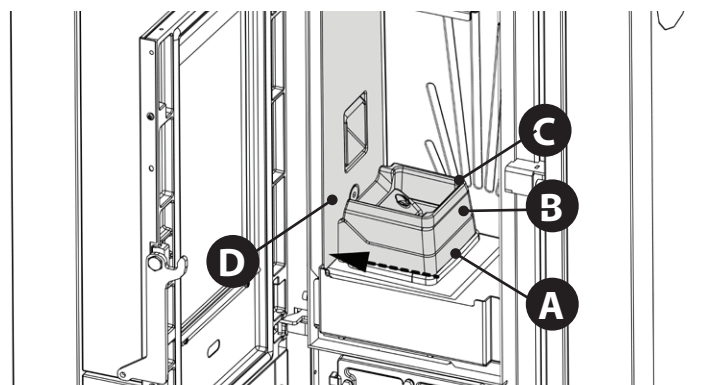


To clean it, remove the flame guard (C), the chute (B) and then the burn pot (A) by lifting it.

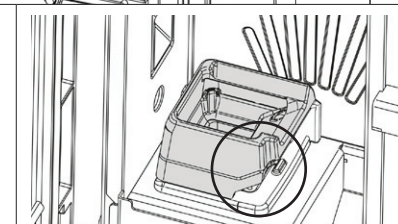
Perform the same operations in reverse order to re-assemble it.

After having put it back in place, always make sure:

- that all build-up has been removed from the burn pot (A) and chute (B)
- that the chute (B) rests on the burn pot (A) correctly, and not on another surface of the combustion chamber
- that the chute (B) has been pushed towards the hearth wall (D) (to the left)



✓ OK



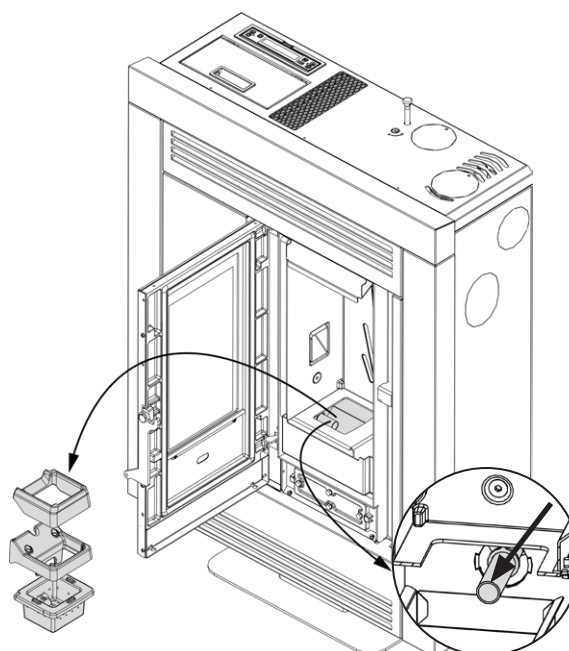
✗ NO!

## COMBUSTION CHAMBER:

- ♦ Remove the burn pot assembly completely.
- ♦ Vacuum the ash from the combustion chamber and spark-plug pipe holder.
- ♦ Put the assembly back in place and push it towards the hearth wall.

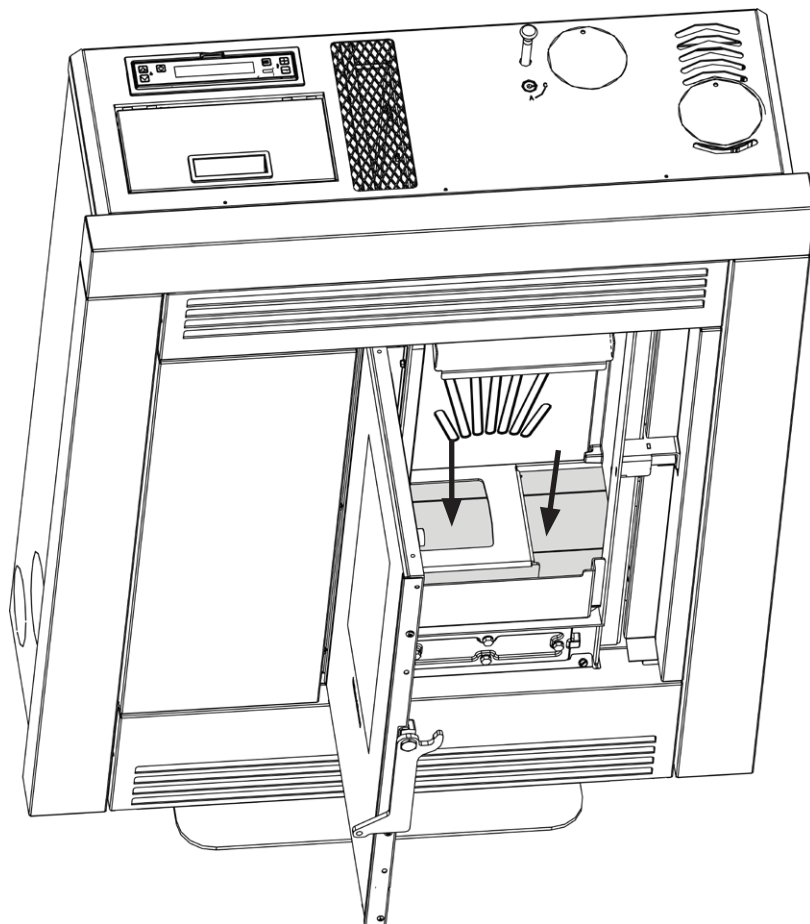
**Make sure that the burn pot assembly has been positioned correctly!**

*NOTE: Use a suitable ash vacuum cleaner with a special separate container for the collected ashes.*



## ASH DRAWER

- ◆ Remove the burn pot assembly completely and empty out any ash residues.
- ◆ Vacuum the ash from the ash drawer.



**THE SEALS OF THE PELLET HOPPER, BURN POT AND FIRE DOOR ENSURE THE CORRECT OPERATION OF THE STOVE. THESE NEED TO BE PERIODICALLY CHECKED BY THE USER. IF THEY ARE WORN OR DAMAGED, REPLACE THEM IMMEDIATELY.**

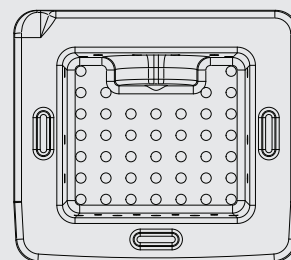
**THESE OPERATIONS MUST BE CARRIED OUT BY A QUALIFIED TECHNICIAN.**



**A CLEAN BURN POT GUARANTEES CORRECT OPERATION!**

**BY KEEPING THE BURN POT AND ITS HOLES CONSTANTLY CLEAN AND FREE OF COMBUSTION RESIDUE, EXCELLENT COMBUSTION IS GUARANTEED OVER TIME, THUS PREVENTING ANY GENERATOR MALFUNCTIONS THAT MAY REQUIRE TECHNICAL ASSISTANCE.**

**THE "EASY SETUP" FUNCTION IN THE USER MENU CAN BE USED TO ADAPT COMBUSTION ON THE BASES OF THE NEEDS DESCRIBED.**



PARTS/FREQUENCY	EVERY DAY	EVERY 2 DAYS	EVERY YEAR
HEAT EXCHANGER (USER)	X		
BURN POT ASSEMBLY AND COMBUSTION CHAMBER (USER)		X	
ASH DRAWER (USER)	X	*X	
T-SHAPED FITTING/ FLUE PIPE (TECHNICIAN)			X

\* ANNABELLA AD EVO

One day means an average use of 8h at the rated power.

How often the ash drawer is emptied depends on a number of factors: the type of pellets, the stove output, the use of the stove and the type of installation.



**IF THE POWER CORD IS DAMAGED, IT MUST BE REPLACED BY THE SERVICE CENTRE OR BY A SIMILARLY QUALIFIED PERSON, SO AS TO AVOID ALL RISKS.**

## ROUTINE MAINTENANCE PERFORMED BY QUALIFIED TECHNICIANS

### **Routine maintenance must be performed at least once a year.**

Given that the generator uses pellets as solid fuel, it requires annual routine maintenance, which must be performed by a **Qualified technician, using only original spare parts.**

Failure to comply may jeopardise safety of the appliance and invalidate the warranty conditions.

By observing the cleaning schedule reserved to the user described in the use and maintenance manual, the generator will be guaranteed correct combustion over time, thus preventing any faults and/or malfunctions which may require subsequent technical assistance. Requests for routine maintenance are not covered by the warranty.

### **GASKETS: PELLETT HOPPER LID, DOOR, ASH DRAWER AND BURN POT**

The gaskets ensure the proper sealing of the stove and therefore its proper operation.

They must be periodically checked and immediately replaced if worn or damaged.

These operations must be carried out by a qualified technician.

### **CONNECTION TO THE FLUE**

Annually, or in any case each time the flue pipe needs to be vacuumed and cleaned. If there are horizontal sections, the residue must be removed to prevent it from obstructing the flow of fumes.

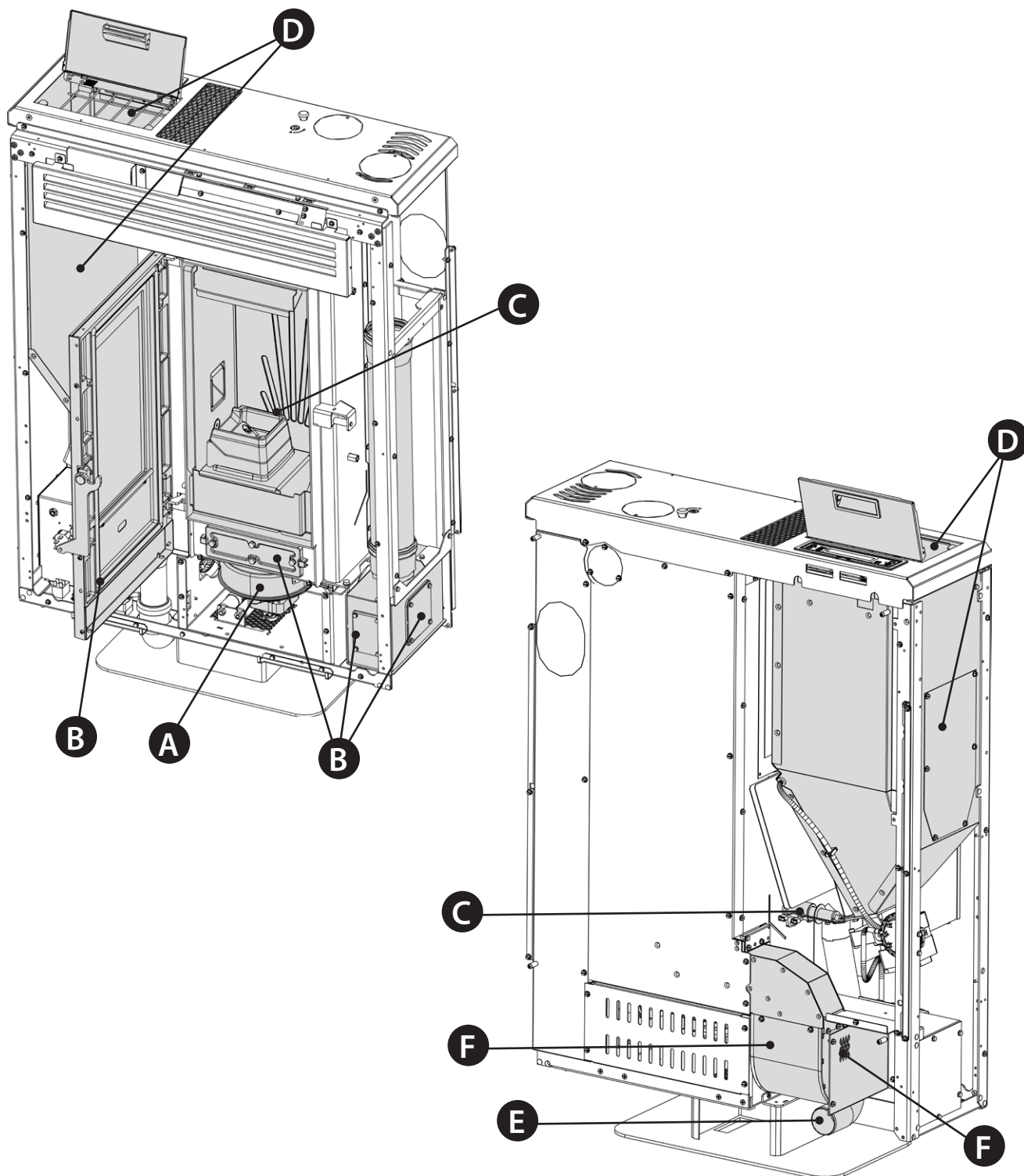
### **SHUT-DOWN (END OF SEASON)**

At the end of each season, before turning the stove off, it is advisable to empty the pellet hopper out completely and vacuum any pellet and dust residues. It is also advisable to disconnect the generator from the electrical power supply and, for greater safety especially in the presence of children, remove the power cord. Routine maintenance must be performed at least once a year.

**TO FIND OUT WHERE YOUR NEAREST SERVICE CENTRE IS, CONTACT YOUR DEALER OR VISIT THE WEBSITE:  
WWW.LANORDICA-EXTRAFLAME.COM**

## ROUTINE MAINTENANCE

SOUVENIR EVO

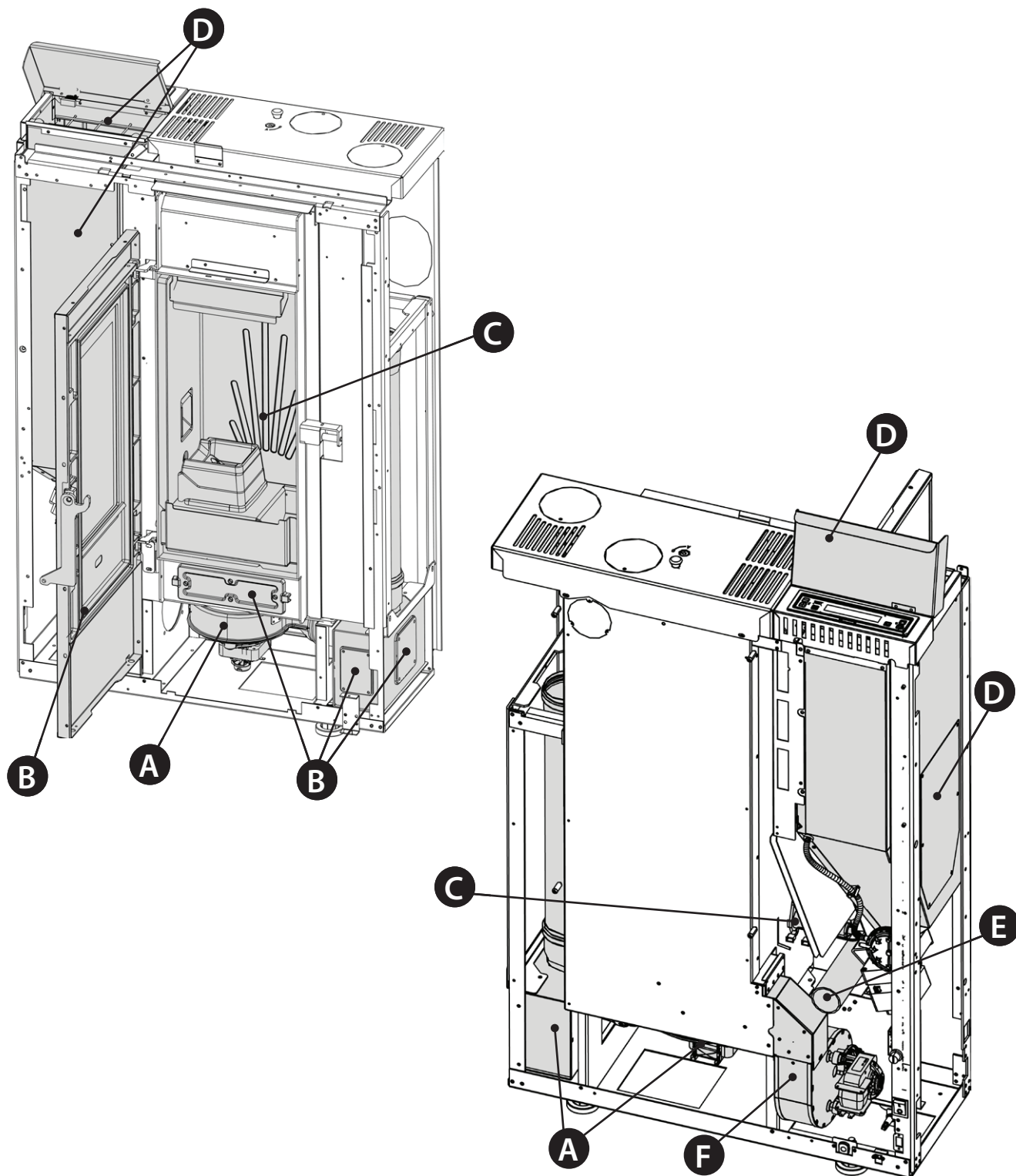


<b>A</b>	Fumes motor (disassembly and cleaning and fumes pipe and "T"), new silicone in the provided points
<b>B</b>	Gaskets, pellet hopper, inspections, ash drawer and door (replace and apply silicone where indicated)
<b>C</b>	Combustion chamber and heat exchanger (full cleaning) including ignition plug pipe
<b>D</b>	Hopper (complete emptying and cleaning) and check gasket.
<b>E</b>	Check the air intake pipe and check/clean the mechanical pressure switch
<b>F</b>	Remove the room air fan and remove any dust and pellet residue.



## ROUTINE MAINTENANCE

ANNABELLA ED EVO




<b>A</b>	Fumes motor (disassembly and cleaning and fumes pipe and "T"), new silicone in the provided points
<b>B</b>	Gaskets, pellet hopper, inspections, ash drawer and door (replace and apply silicone where indicated)
<b>C</b>	Combustion chamber and heat exchanger (full cleaning) including ignition plug pipe
<b>D</b>	Hopper (complete emptying and cleaning) and check gasket.
<b>E</b>	Check the air intake pipe and check/clean the mechanical pressure switch
<b>F</b>	Remove the room air fan and remove any dust and pellet residue.

## DISPLAYS

DISPLAY	REASON
<b>OFF</b>	Generator off
<b>START</b>	The start-up phase is in progress
<b>PELLET LOADING</b>	Continuous pellet feeding is in progress during the ignition phase
<b>IGNITION</b>	The ignition phase is in progress
<b>PREPARATION</b>	The preparation phase is in progress
<b>WORK</b>	The normal work phase is in progress
<b>MODULATION</b>	The generator is working at minimum
<b>FINAL CLEANING</b>	The final cleaning is in progress
<b>STAND BY</b>	Generator off waiting for re-ignition due to the external thermostat.
<b>COOLING STAND BY</b>	A new ignition is attempted when the generator has just been switched off. When the generator switches off, you must wait for the complete shutdown of the fumes motor, then clean the burn pot. The generator can only be re-ignited when these operations have been performed.
<b>BLACK OUT STAND BY</b>	The generator is cooling after a power cut. Once cooling is completed, it will re-start automatically
<b>AUTO BLOW</b>	The automatic blow is active
<b>CLOSE HOPPER-STOVE DOOR</b>	This indication means that you have 60 seconds to close the hatch/door and the pellet lid. After 60 seconds have passed, the stove will enter "DEPR ALARM" during the ignition phase, while during normal operation, the stove will enter "COOLING STAND BY" and then restart automatically when the conditions are met (cold stove, etc.).

## ALARMS

DISPLAY	EXPLANATION	SOLUTION
	Indicates the presence of an alarm.	On: indicates the presence of an alarm The alarm can only be reset if the fumes motor has stopped and 15 minutes have passed since the alarm was displayed, by pressing key 1 for 3 seconds.
<b>FUMES MOTOR FAULT</b>	Fumes motor fault	Contact after-sales centre
<b>FUMES PROBE</b>	Fumes probe fault.	Contact after-sales centre
<b>HOT FUMES</b>	High fumes temperature	Check pellet loading (see "Easy setup"); if the problem is not solved, contact a service centre.
<b>NO IGNITION</b>	The pellet hopper is empty. Pellet feed calibration inadequate. Thermostat bulbs tripped.	Check for the presence of pellets in the hopper. Adjust the pellet flow (see "Easy setup"). Check the procedures described in the "Ignition" chapter. Check bulb thermostats (see chapter on Resetting)
<b>NO FLAME</b>	The pellet hopper is empty. No pellet feed. The gearmotor does not feed pellets. Thermostat bulbs tripped.	Check for the presence of pellets in the hopper. Adjust the pellet flow (see "Easy setup"). Check bulb thermostats (see chapter on Resetting)
<b>DEPR ALARM</b>	The door is not closed correctly. The ash drawer is not closed correctly. The combustion chamber is dirty. The fumes exhaust pipe is blocked/dirty	Check hermetic door closure. Check hermetic closure of the ash drawer. Check cleanliness of the fumes pipe and the combustion chamber.
<b>NO IGNITION - BLACK OUT</b>	No power during the ignition phase.	Turn the stove off using key 1 and repeat the procedure described in the "Ignition" chapter. Other reset operations should be performed by an authorised technician.
<b>COMMAND AUGER ALARM</b>	Abnormal pellet feeding.	Contact the after-sales centre.
<b>AUGER BLOCKED</b>	Abnormal operation of pellet motor.	Contact the after-sales centre.



# **Extraflame**®

## Riscaldamento a Pellet

**EXTRAFLAME S.p.A.** Via Dell'Artigianato, 12 36030 - MONTECCHIO PRECALCINO (VI) - ITALY  
☎ +39.0445.865911 - 📠 +39.0445.865912 - ✉ info@extraflame.it - 🌐 www.lanordica-extraflame.com

**MADE IN ITALY**  
design & production

***TO FIND THE SERVICE CENTRE NEAREST TO YOU  
CONTACT YOUR DEALER OR CONSULT  
THE SITE [WWW.LANORDICA-EXTRAFLAME.COM](http://WWW.LANORDICA-EXTRAFLAME.COM)***

The manufacturer reserves the right to vary the characteristics and the data reported in this pamphlet at any moment and without notice, in order to improve its products.