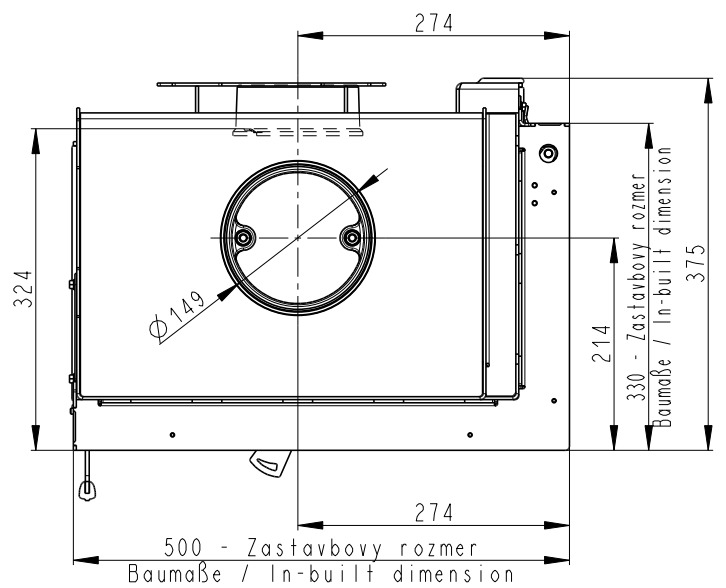
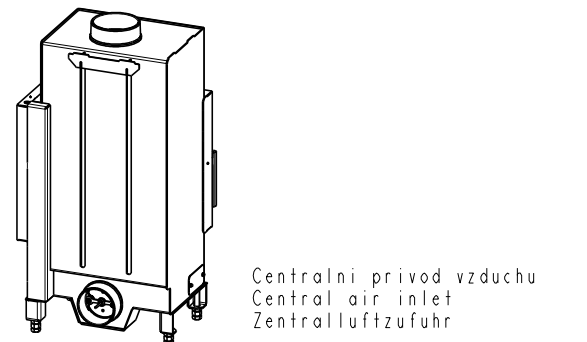
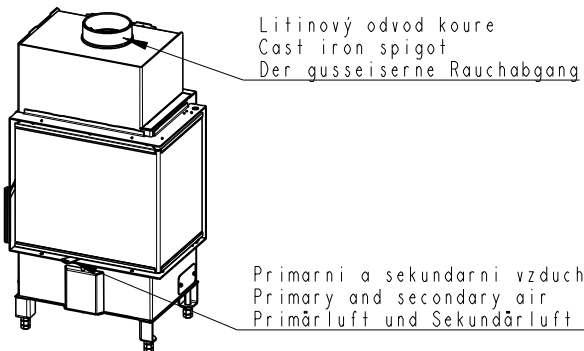
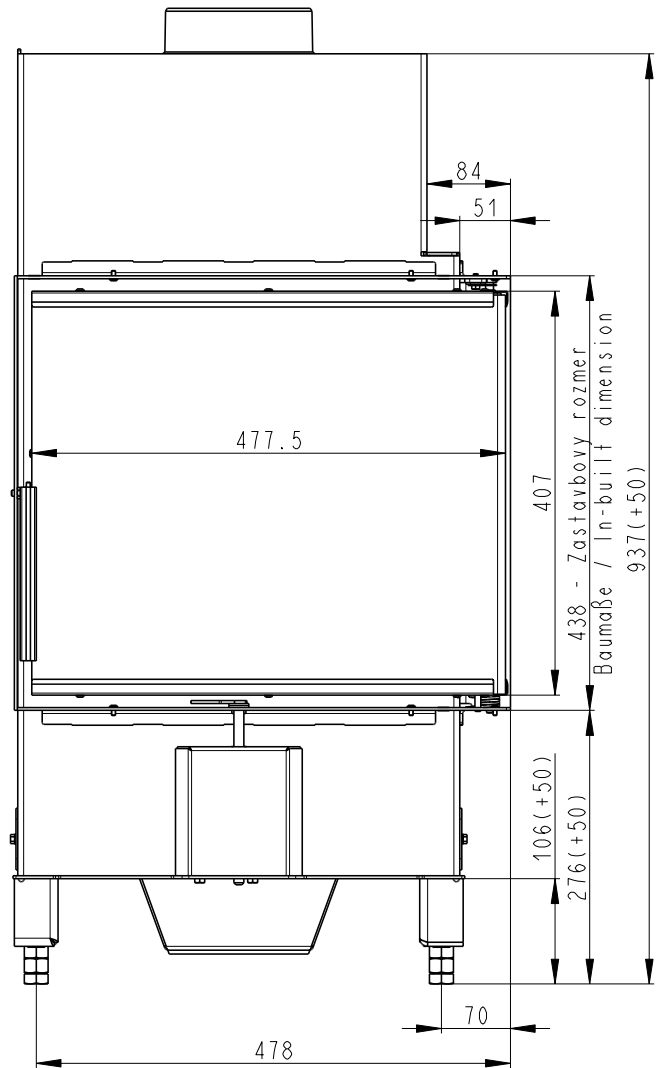
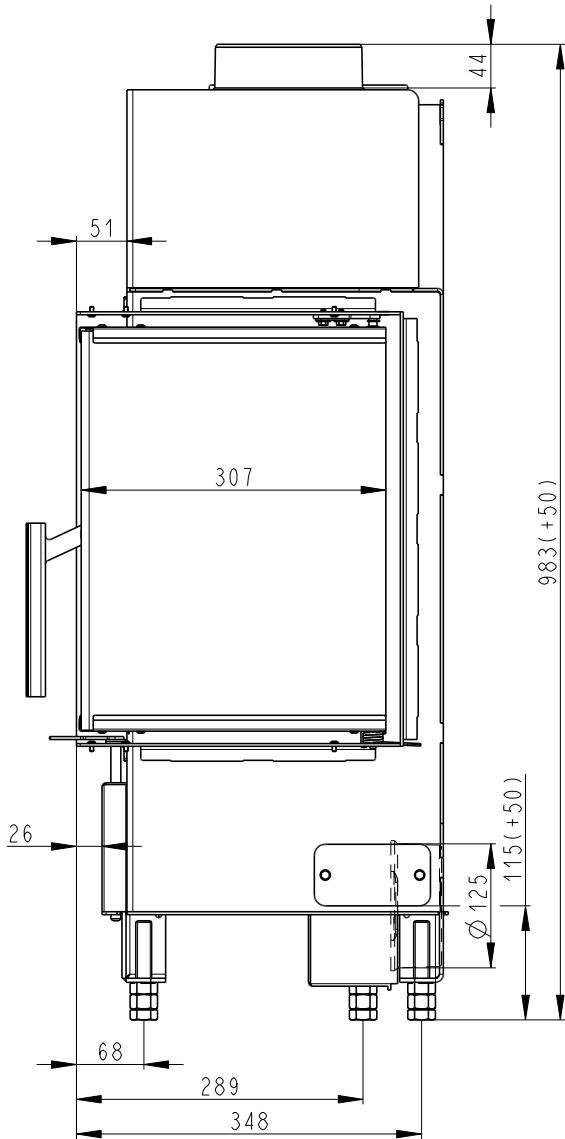


Rozměry v mm
 Maße in mm
 Dimensions in mm

Heat R 2g S 50.44.33.13(23)

100kg



Rozměry v mm
 Maße in mm
 Dimensions in mm

Heat L 2g S 50.44.33.13(23)

100kg

