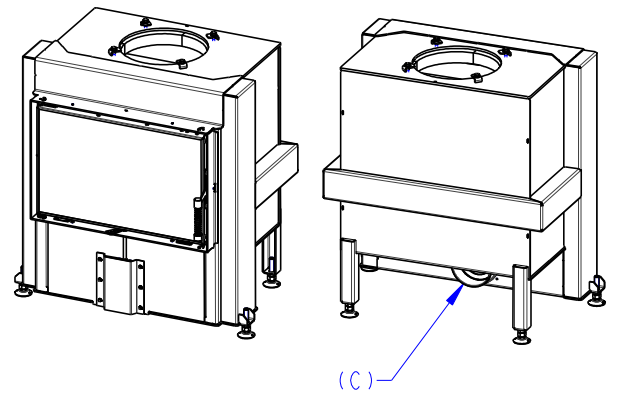
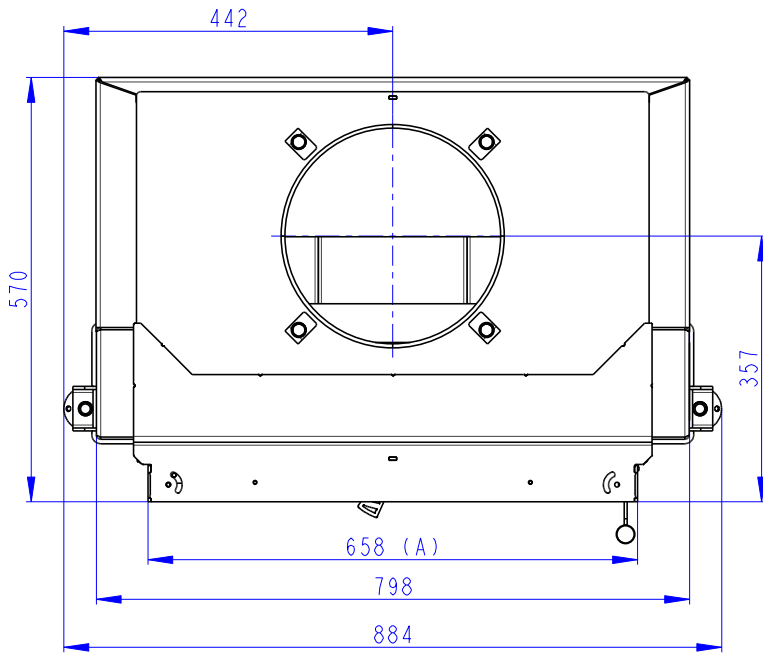
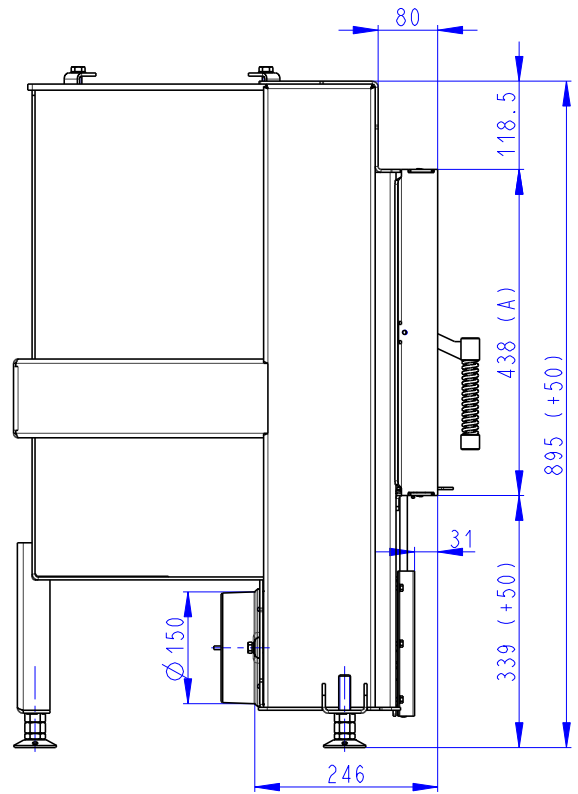
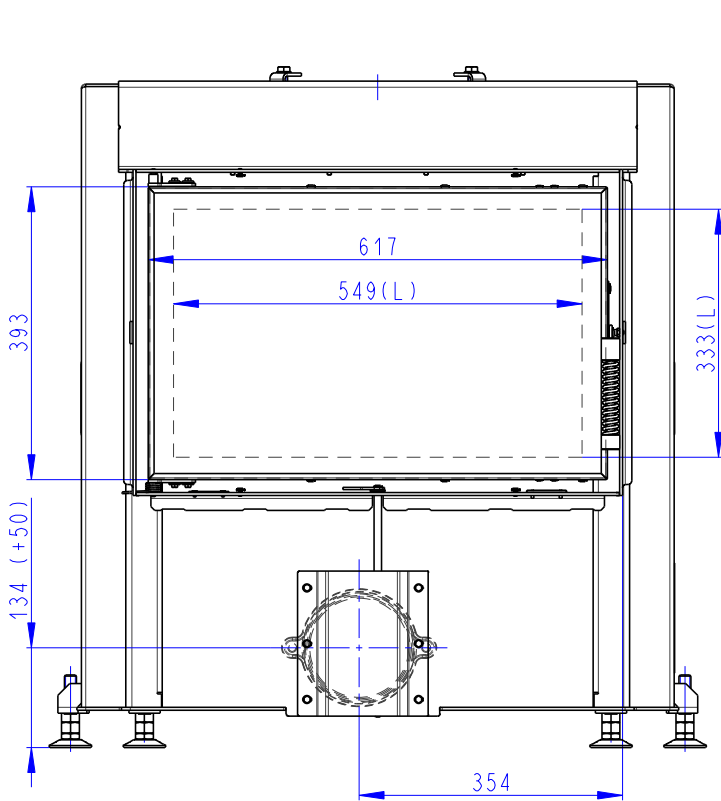


Rozmery v mm  
 Maße in mm  
 Dimensions in mm

Dynamic 3g 66.44.01

226 kg

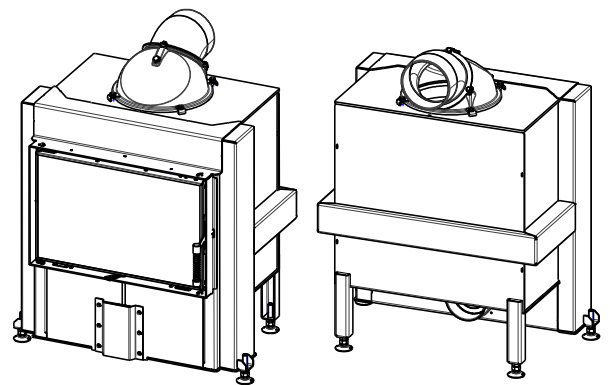
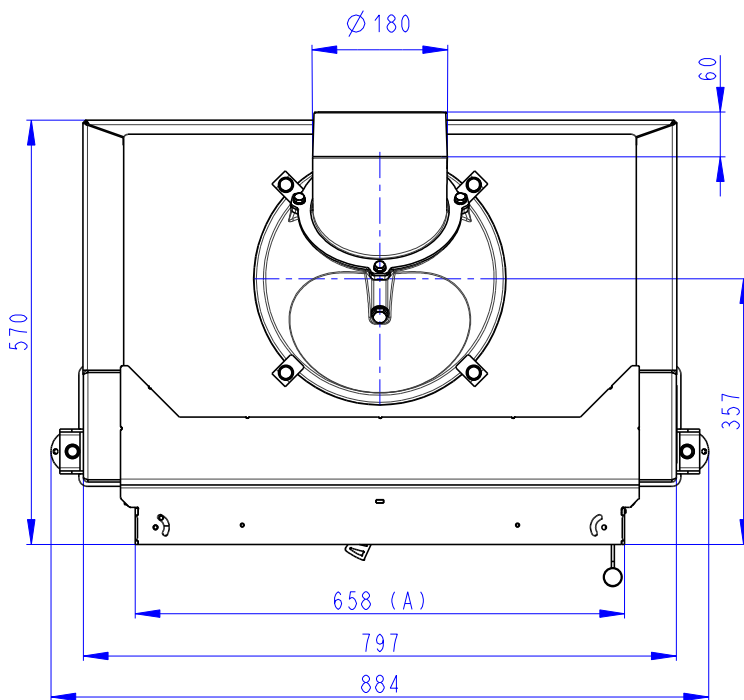
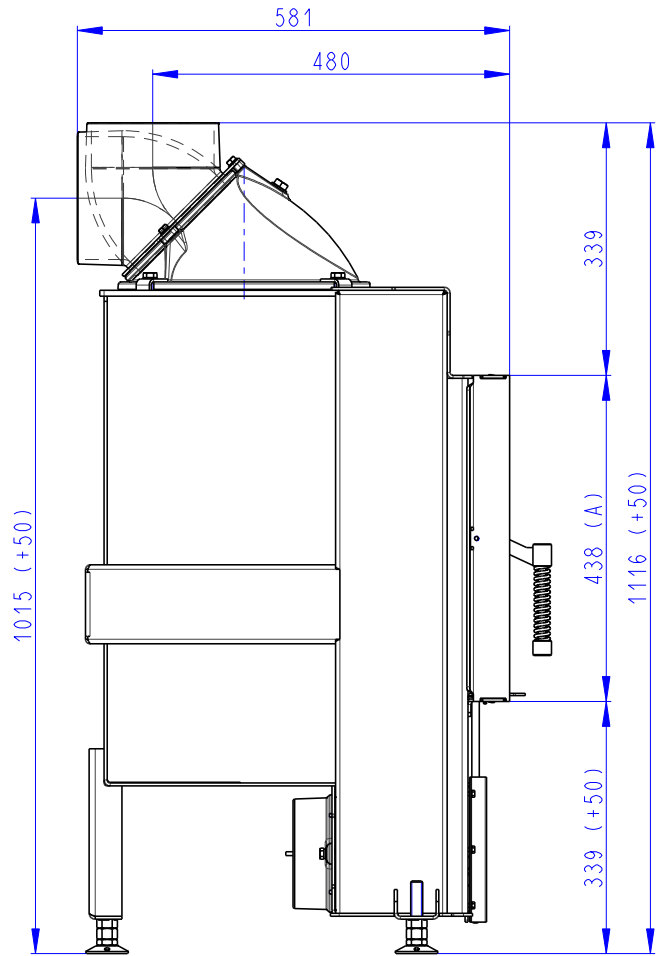
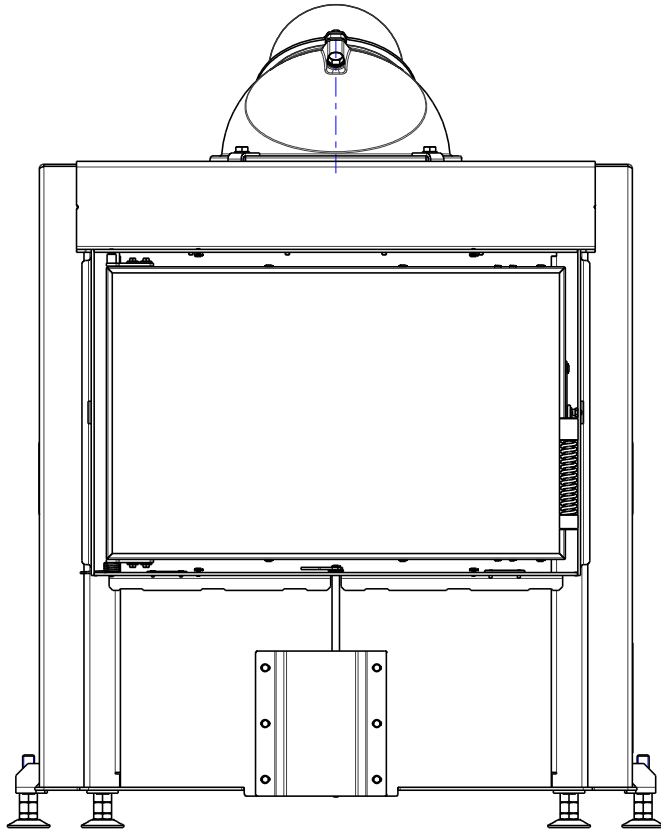


- (A) Zastavbovy rozmer / Baumaße / In-built dimension
- (C) Centralni privod vzduchu / Central air inlet / Zentralluftzufuhr
- (L) Volna plocha proskleni / Free glass area / Freie Glassichtfläche

Rozměry v mm  
 Maße in mm  
 Dimensions in mm

Dynamic 3g 66.44.01  
 + D3 KPL 180

240 kg

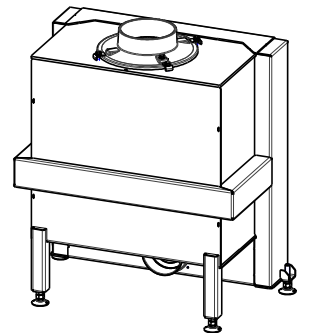
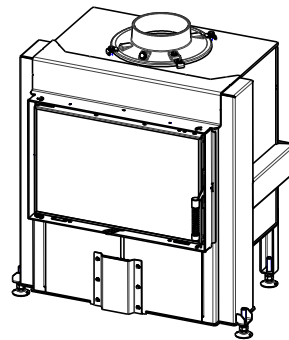
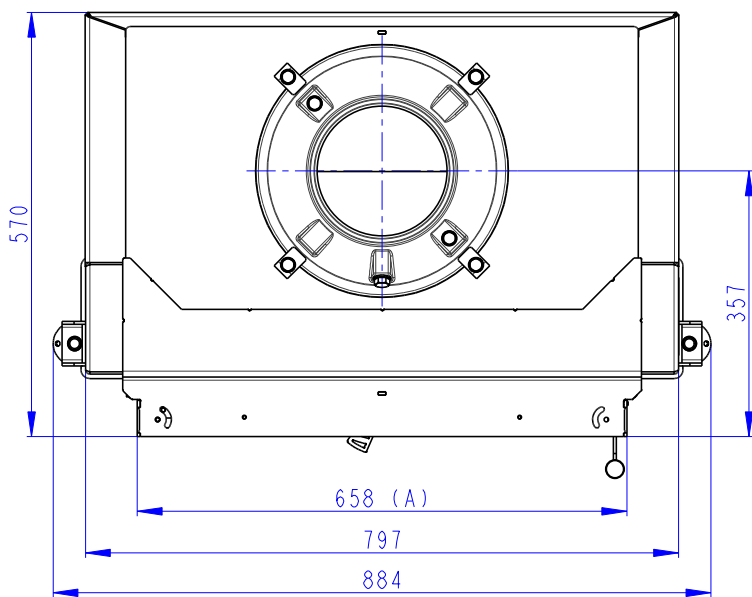
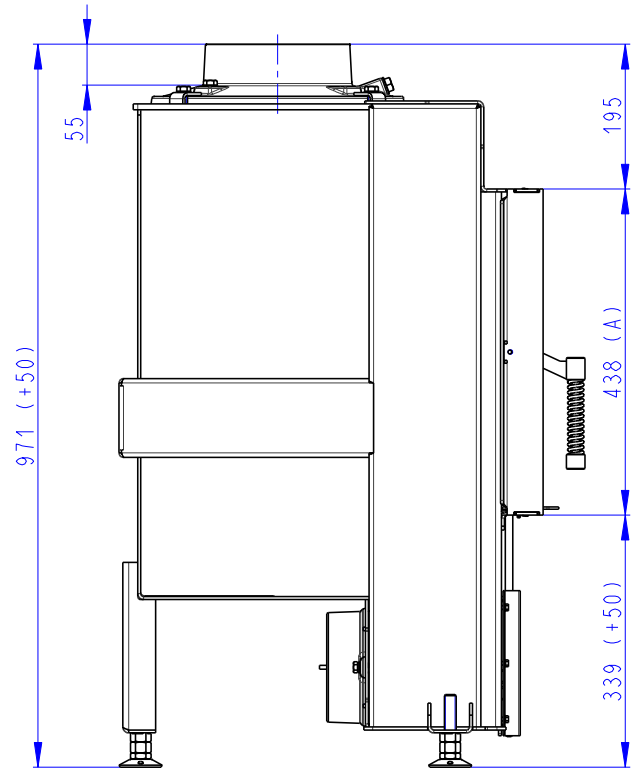
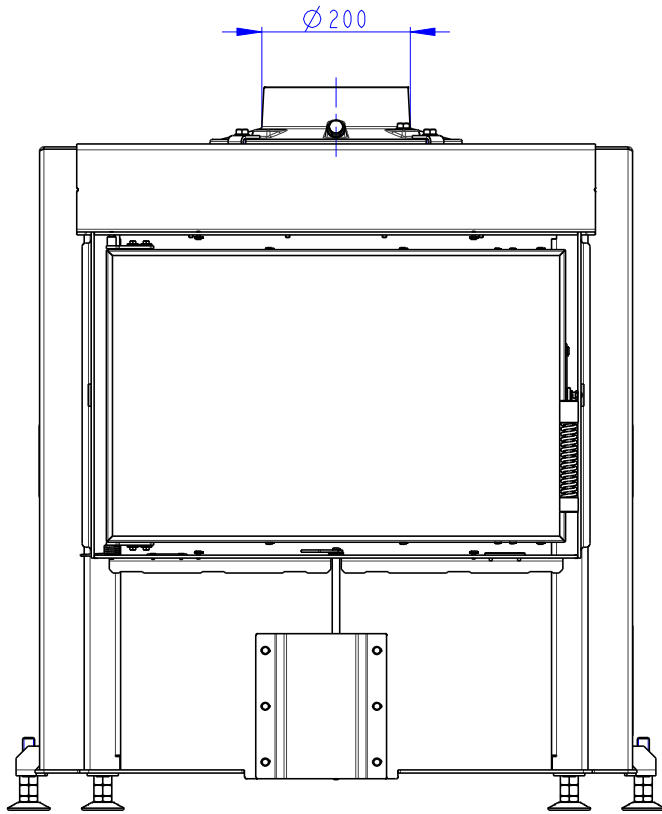


(A) Zastavbovy rozmer / Baumaße / In-built dimension  
 (C) Centralni privod vzduchu / Central air inlet / Zentralluftzufuhr

Rozmery v mm  
Maße in mm  
Dimensions in mm

Dynamic 3g 66.44.01  
+ D3 PR 200

234 kg

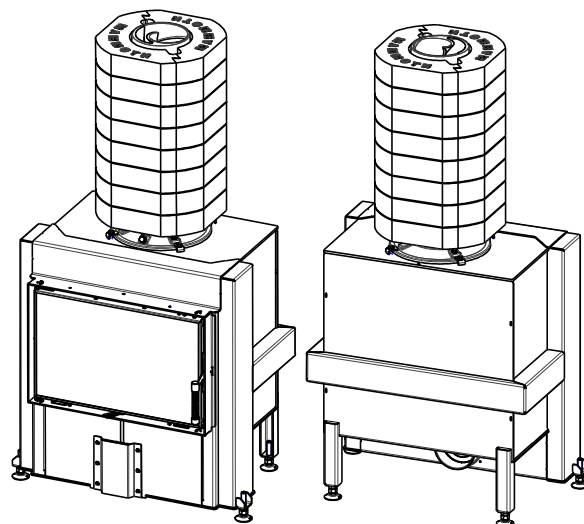
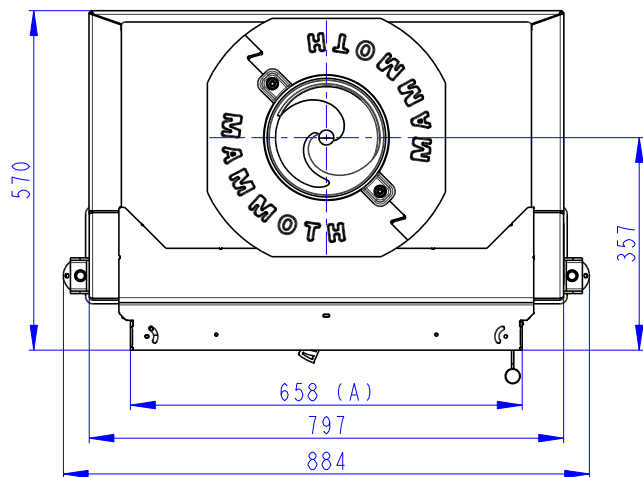
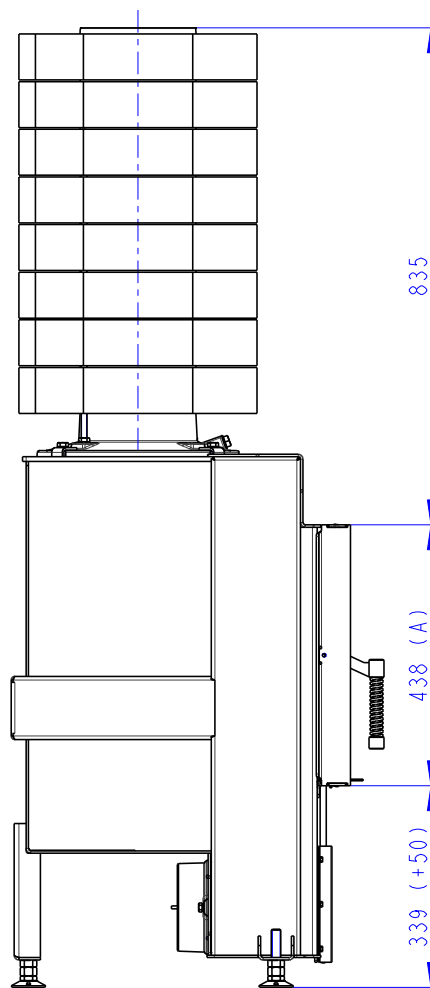
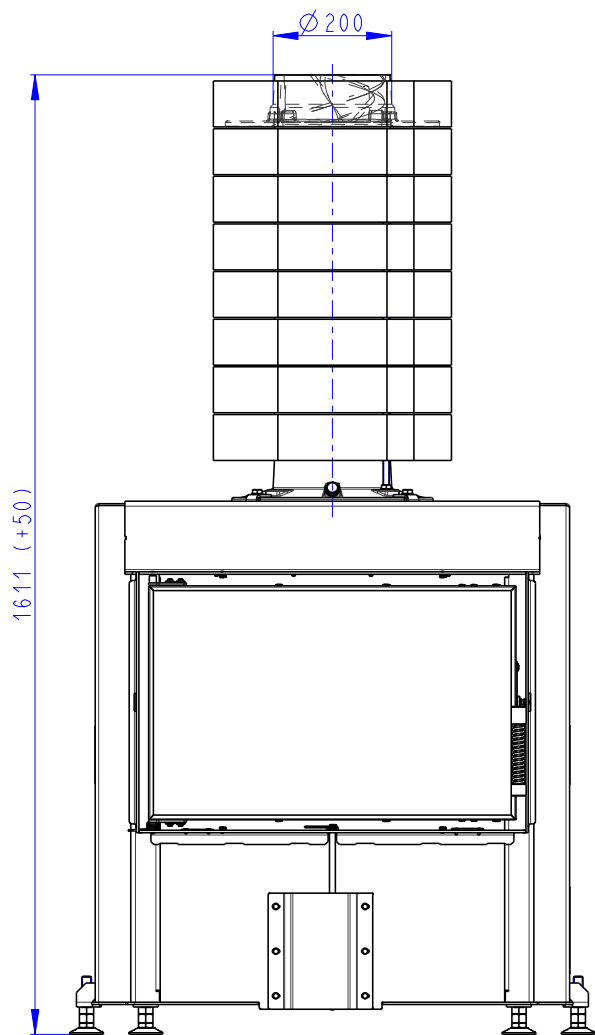


(A) Zastavbovy rozmer / Baumaße / In-built dimension  
(C) Centralni privod vzduchu / Central air inlet / Zentralluftzufuhr

Rozměry v mm  
 Maße in mm  
 Dimensions in mm

Dynamic 3g 66.44.01  
 + D3 PR 200 + AKKUM KV 08B

540 kg

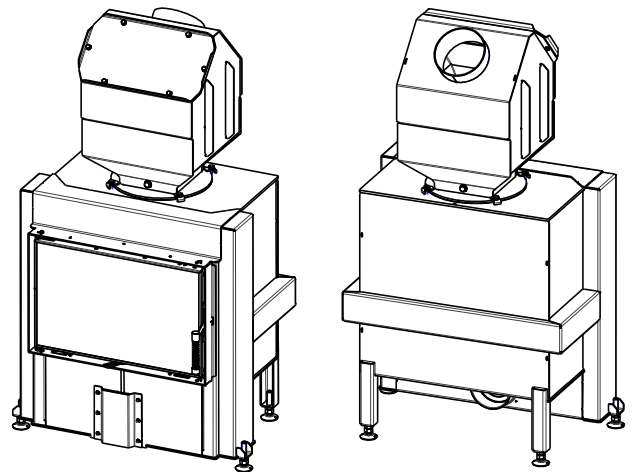
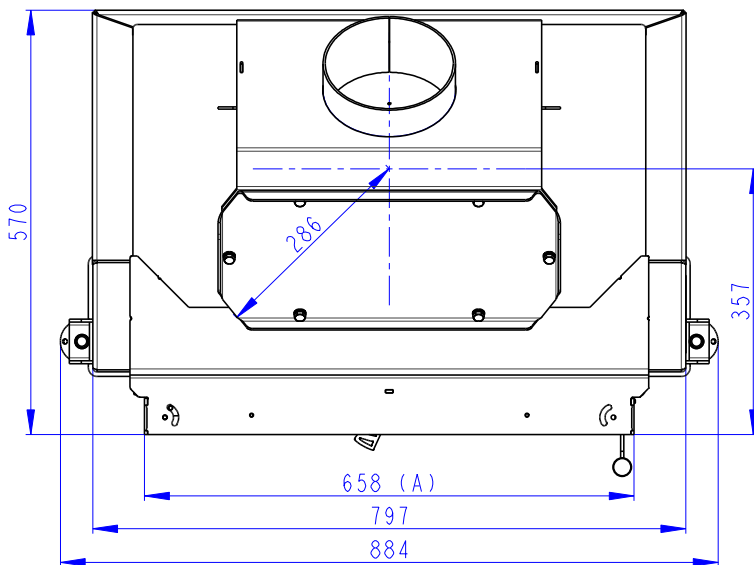
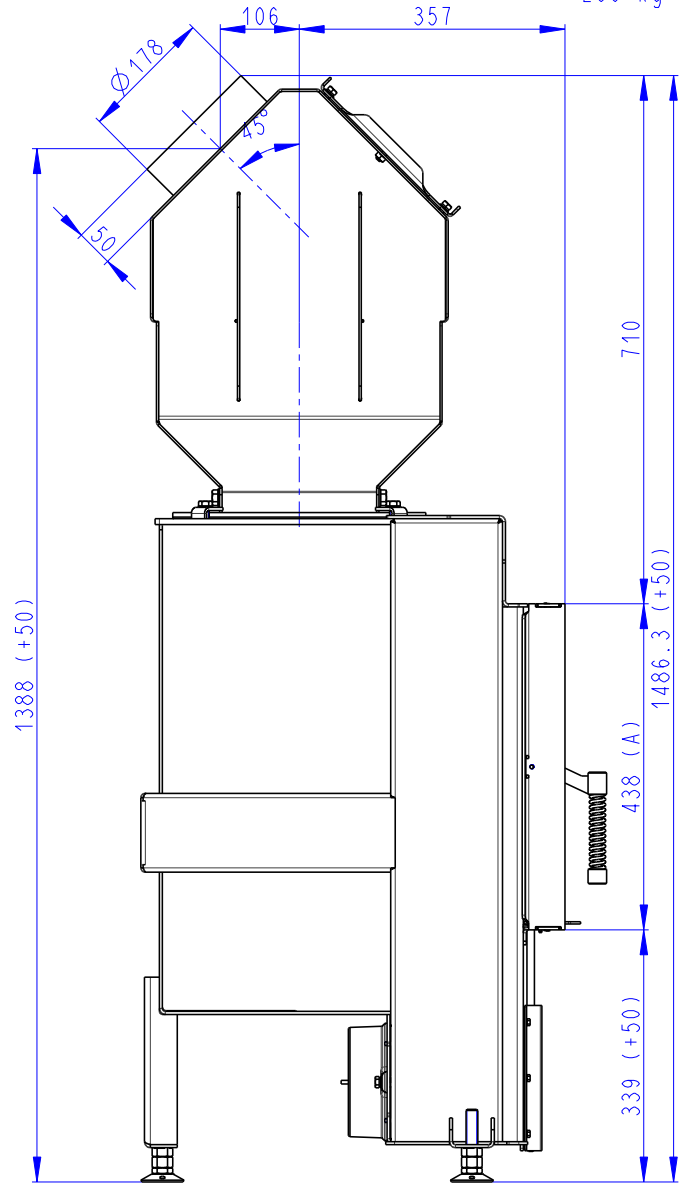
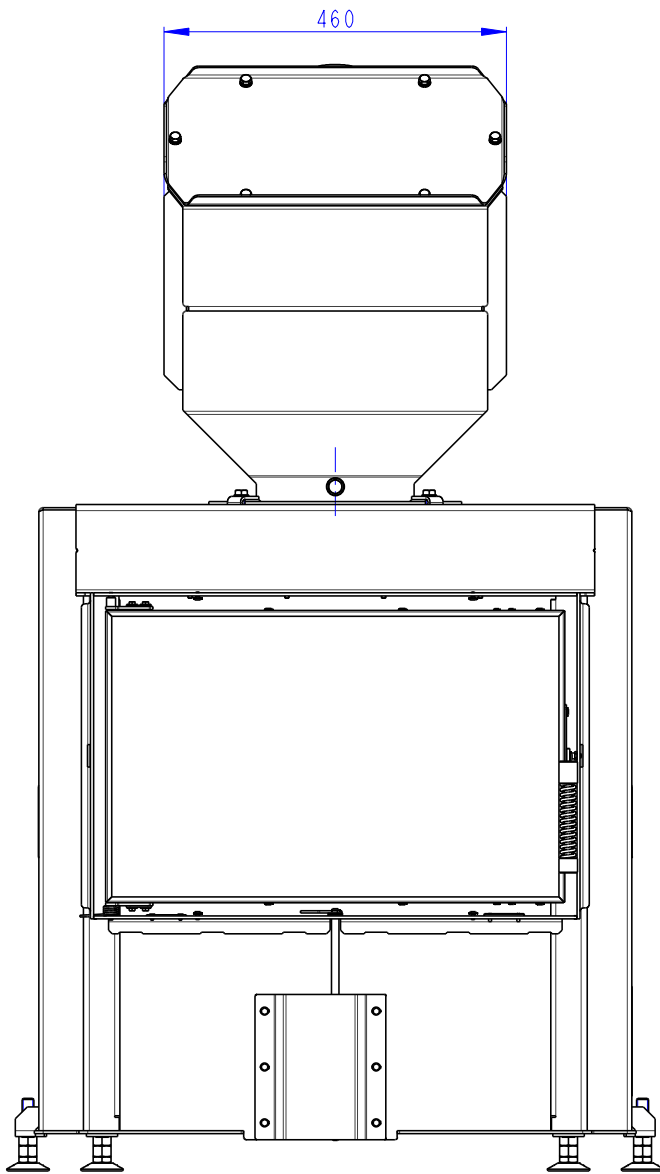


(A) Zastavbovy rozmer / Baumaße / In-built dimension  
 (C) Centralni privod vzduchu / Central air inlet / Zentralluftzufuhr

Rozmery v mm  
 Maße in mm  
 Dimensions in mm

Dynamic 3g 66.44.01  
 + D3 VY01

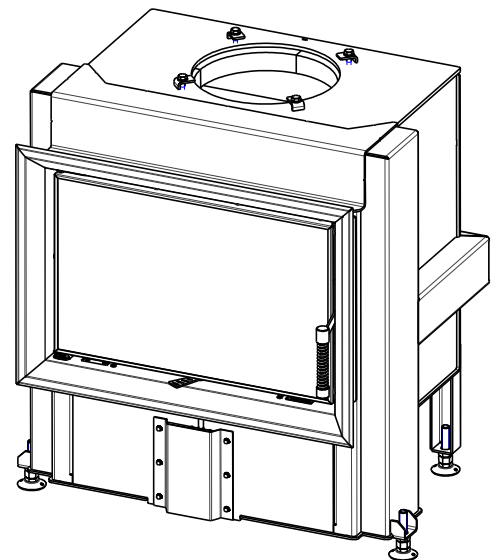
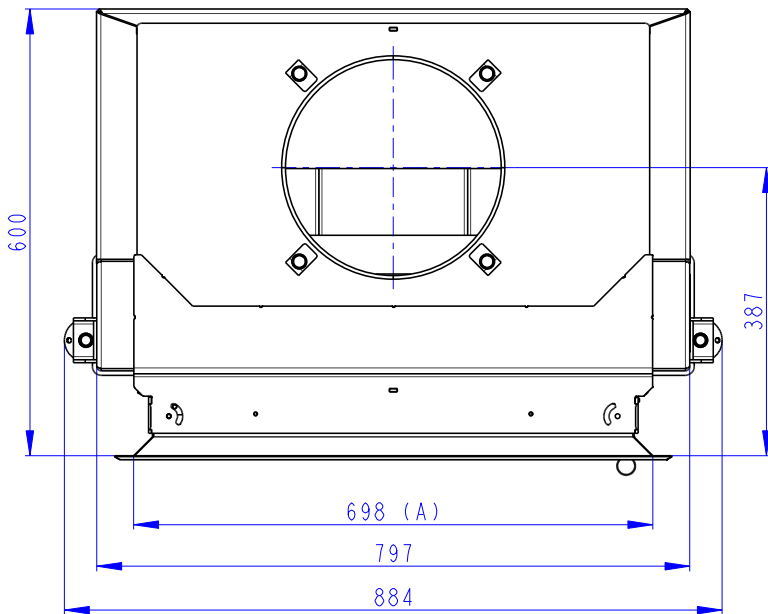
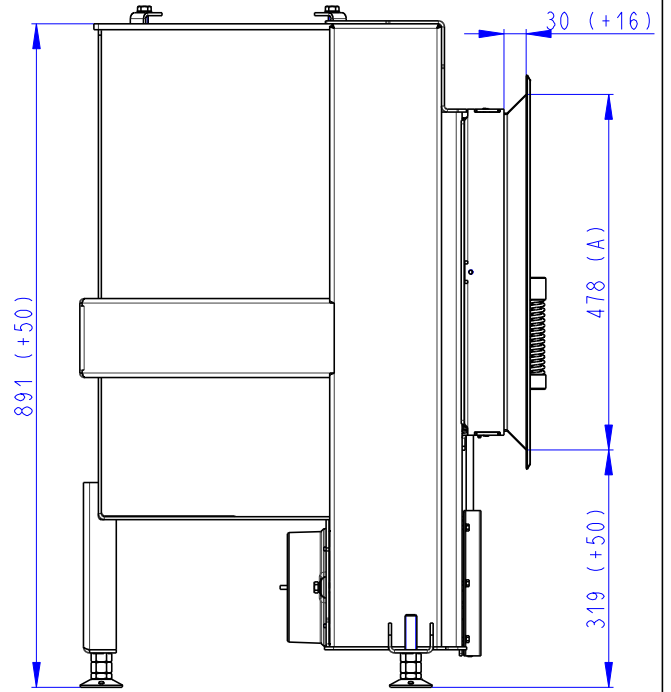
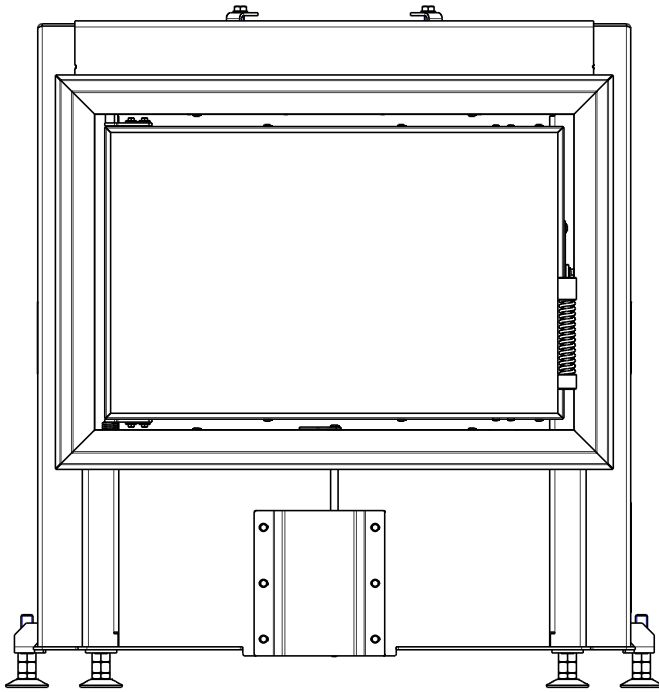
269 kg



(A) Zastavbovy rozmer / Baumaße / In-built dimension  
 (C) Centralni privod vzduchu / Central air inlet / Zentralluftzufuhr

Rozmery v mm  
Maße in mm  
Dimensions in mm

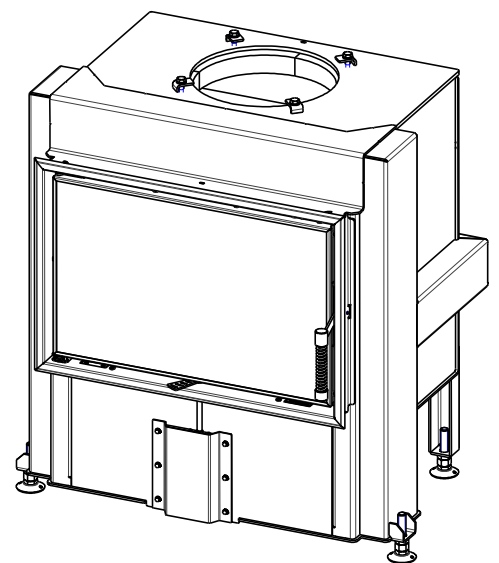
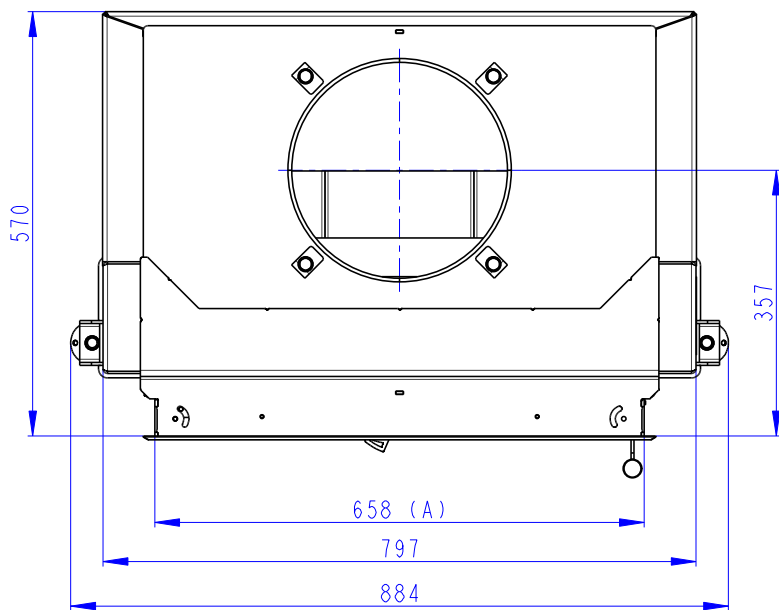
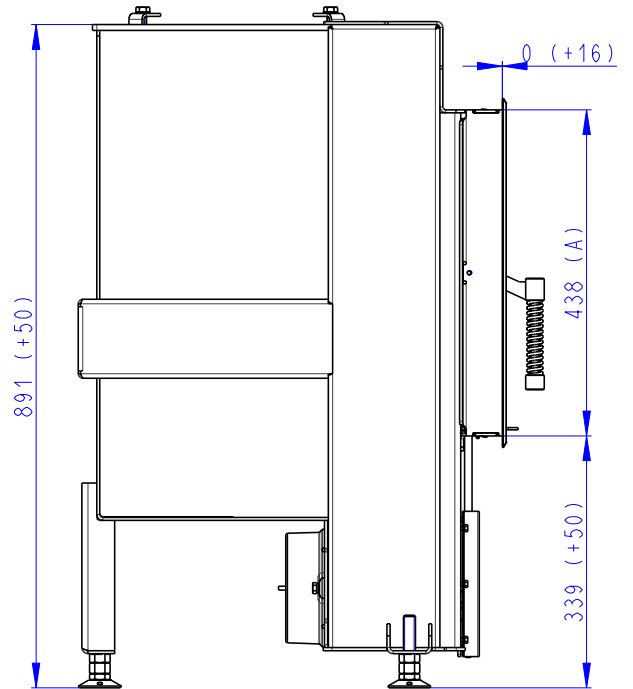
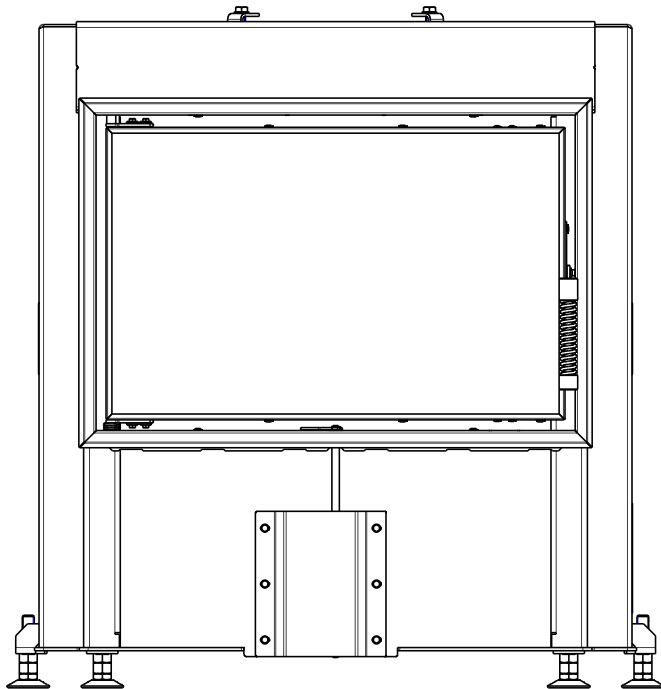
Dynamic 3g 66.44.01  
+ D3H RAM 04



(A) Zastavbovy rozmer / Baumaße / In-built dimension  
(C) Centralni privod vzduchu / Central air inlet / Zentralluftzufuhr

Rozměry v mm  
Maße in mm  
Dimensions in mm

Dynamic 3g 66.44.01  
+ D3H RAM 06



(A) Zastavbovy rozmer / Baumaße / In-built dimension  
(C) Centralni privod vzduchu / Central air inlet / Zentralluftzufuhr