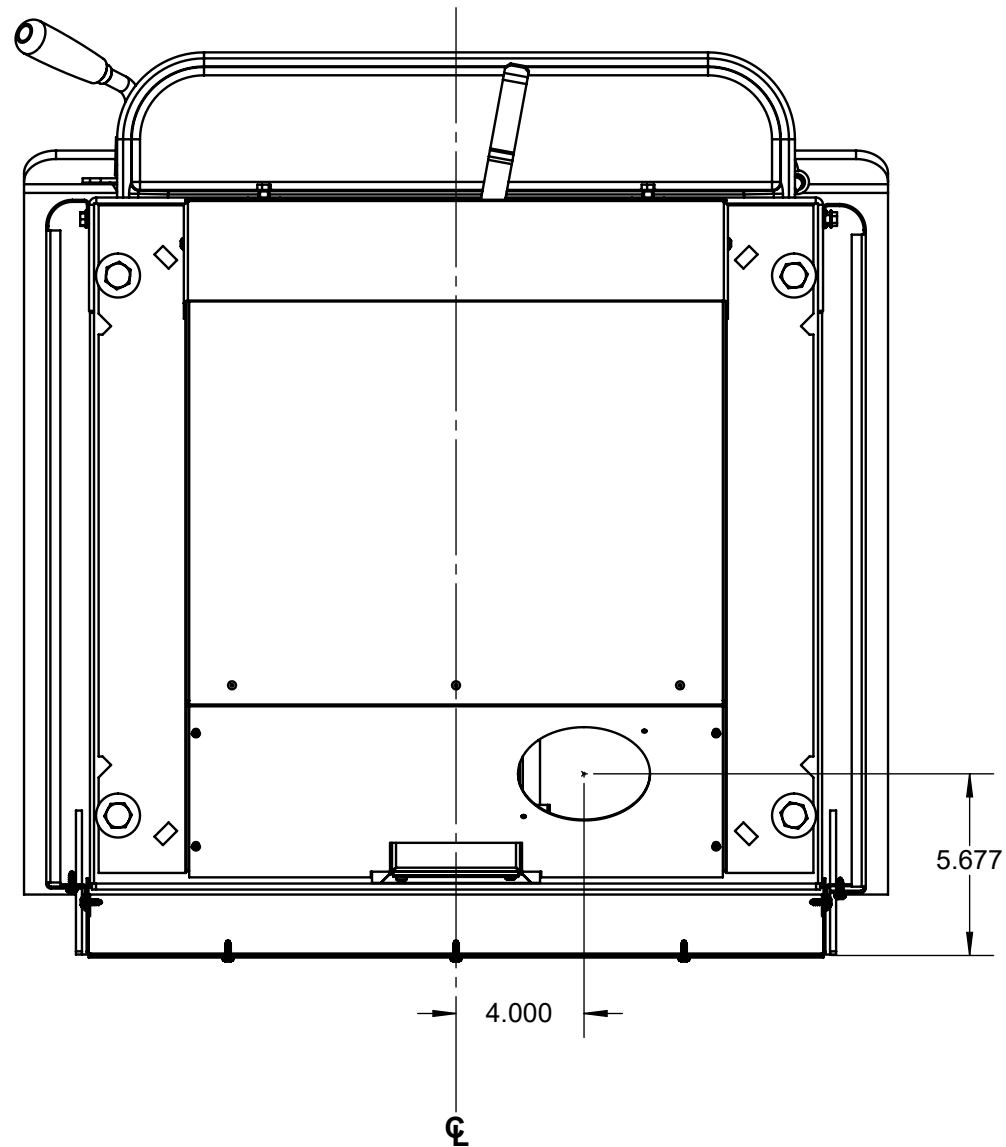


**BOM**  
DRAWING 1 OF 2



REVISIONS				
AR	REV.	DESCRIPTION	DATE	NAME

APP'D:	NAME:
	Body, Summit LE, Wood, Leg
	NOTES:

DATE:	2019-08-30
ASSEMBLY NO.	11010075-C

DR'N:	SCALE:	1:16
<b>PACIFIC ENERGY</b>		