

# Jøtul F 370 Series

Jøtul F 370 Series  
Manual Version Poz

GB - Installation and Operating Instructions	2
FR - Manuel d'installation et d'utilisation	22
ES - Instrucciones para instalación y mantenimiento	42
IT - Manuale di installazione ed uso	62
NL - Installatie- en montagehandleiding	82



Jøtul F 371

Jøtul F 373

Jøtul F 374

Jøtul F 375

Jøtul F 376

Jøtul F 377

Jøtul F 379



*The manuals which are enclosed with the product must be kept throughout the product's entire service life. Les manuels fournis avec le produit doivent être conservés pendant toute la durée de vie du produit. Los manuales suministrados con este producto deben guardarse durante todo el ciclo de vida del producto. I manuali inclusi con il prodotto vanno conservati per l'intera durata di vita del prodotto. De bij de haard meegeleverde handleidingen moeten gedurende de volledige gebruiksduur van de haard bewaard blijven.*

# ENGLISH

## Table of contents

### Installation manual with technical data

1.0	Relationship to the authorities .....	2
2.0	Technical data .....	2
3.0	Safety .....	3
4.0	Installation .....	8
5.0	Daily use .....	18
6.0	Maintenance .....	18
7.0	Service.....	19
8.0	Operational problemes - troubleshooting .....	20
9.0	Optional Equipment .....	20
10.0	Warranty.....	21

## 1.0 Relationship to the authorities

Installation of a fireplace must be according to local codes and regulations in each country.

All local regulations, including those which refer to national and European standards, must be observed when installing the product.

The installation can only be put into use after it has been checked by a qualified inspector. Contact your local building authorities before installing a new fireplace.

A product data plate of heat-resistant material is affixed to the product. This contains information about identification and documentation for the product.

## 2.0 Technical data

Material:	Cast iron
Finish:	Black or grey varnish
Fuel:	Wood
Log length, max.:	30 cm
Flue outlet:	Top, rear
Flue pipe dimension:	Ø150 mm/min. 177 cm <sup>2</sup> cross section

Approx. weight:	
- with cast iron base:	Approx. 163 kg
- with cast iron pedestal:	Approx. 156 kg
- with cast iron leg:	Approx. 154 kg
- with cast iron base and glass door:	Approx. 165 kg
- with glass base:	Approx. 158 kg
- Jøtul F 377 with soapstone:	Approx. 220 kg
- Jøtul F 377 HT with soapstone:	Approx. 270 kg
- Jøtul F 377 with heat storage system and soapstone:	Approx. 330 kg
- with three legs:	Approx. 149 kg

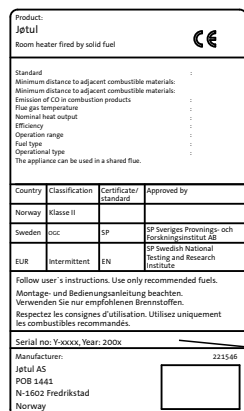
Optional extras:  
 Decoration plates, cover for side windows, rotating set (Jøtul 373), glass decoration - top/sides/front, soap stone - top, wood store, cast iron door for base (Jøtul F 371), High Top, Jøtul F 377 soapstone, Jøtul F 377 HT soapstone, convection kit, heat storage system

Dimensions, distances: See fig. 1

### Technical data according to EN 13240

Nominal heat output:	5,5 kW
Flue gas mass flow:	5,9 g/s
Recommended chimney draught:	12 Pa
Efficiency:	73% @ 5,8 kW
CO emission (13% O <sub>2</sub> ):	0.12%
Flue gas temperature:	330° C
Operational type:	Intermittent

Intermittent combustion in this context means normal use of the fireplace, i.e. fuel is added as soon as the fuel has burnt down to a suitable amount of embers.



On all our products there is a label indicating the serial number and year. Write this number in the place indicated in the installation instructions.

Always quote this serial number when contacting your retailer or Jøtul.

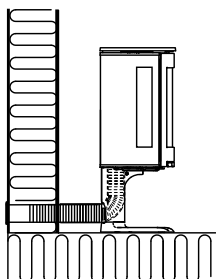
Serial no.

## Air supply

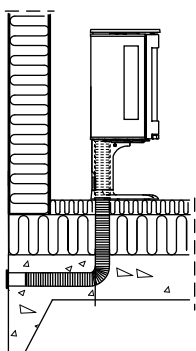
The outside air connection may be fitted directly to the Jøtul F 370 Series through:

- The base/pedestal/leg or
- through a flexible supply hose from the outside/chimney (only if the chimney has its own duct for external air) and to the product's outside air connector.

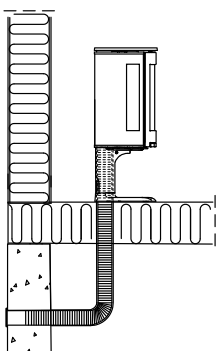
Through an outside wall



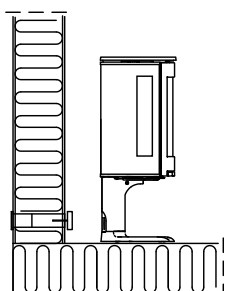
Through the floor and ground plate



Through the floor and basement



Indirectly through an outside wall



## 3.0 Safety

**NB! To guarantee optimal performance and safety, Jøtul stoves must be fitted by a qualified installer.**

Any modifications to the product by the distributor, installer or consumer may result in the product and safety features not functioning as intended. The same applies to the installation of accessories or optional extras not supplied by Jøtul. This may also be the case if parts that are essential to the functioning and safety of the fireplace have been disassembled or removed.

In all these cases, the manufacturer is not responsible or liable for the product and the right to make a complaint becomes null and void.

### 3.1 Fire Prevention Measures

There is a certain element of danger every time you use your fireplace. The following instructions must therefore be followed:

- The minimum safety distances when installing and using the fireplace are given in **fig. 1**.
- Ensure that furniture and other flammable materials are not too close to the fireplace. Flammable materials should not be placed within 1 metre of the fireplace.
- Allow the fire to burn out. Never extinguish the flames with water.
- The fireplace becomes hot when lit and may cause burns if touched.
- Only remove ash when the fireplace is cold. Ash can contain hot embers and should therefore be placed in a non-flammable container.
- Ash should be placed outdoors or be emptied in a place where it will not present a potential fire hazard.

### In case of chimney fire:

- Close all hatches and vents.
- Keep the firebox door closed.
- Check the loft and cellar for smoke.
- Call the fire service.
- Before use after a fire an expert must check the fireplace and the chimney in order to ensure that it is fully functional.

### 3.2 Floor

#### Foundation

You need to make sure the foundation is suitable for a fireplace. See **"2.0 Technical Data"** for specified weight.

We recommend the removal of any flooring that is not attached to the foundation ("floating floors") beneath the installation.

#### Requirements for protection of wooden flooring beneath the fireplace

Jøtul F 370 Series (except from Jøtul F 374) has a heat shield underneath which protects the base from radiation. The product (except Jøtul from F 374 and Jøtul F 379) has an integrated floor protection and may therefore be placed directly on a wooden floor.

Any inflammable floor coverings, such as linoleum, carpets, etc. must be removed from under the product.

## Jøtul F 370

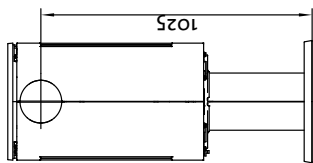
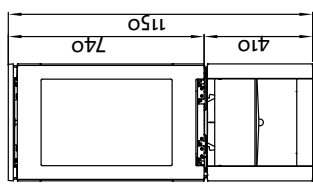
Min. distance to combustible wall by different configurations, fig. 1a

Configuration	Measure	a	b	c	d	e	f	g	h	i
Basic model		440	1125	920	650	480	612	407	701	160
With side cover, plain		340	982	777	550	380	612	407	601	160
Med halvslert skorstein / With half insulated steel chimney		440	1125	920	650	480	552	347	701	100
With decor glass sides		190	771	566	400	280	558	353	501	* 160
Jøtul F 370 C (product with convection kit with side glasses and half insulated chimney)		150	742	537	380	400	524	319	641	50
Jøtul F 377 (product with soap stone sides and top)		250	915	710	502	400	539	334	647	50

\* If a steel chimney is used the measure will be 100mm

Fig. 1a

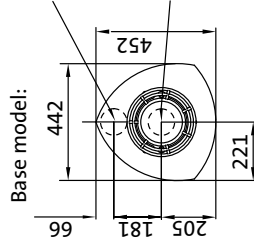
Product:  
 Jøtul F 371 / F 373 / F 374 / F 375 / F 376 / F 377 / F 379 / F 370 C



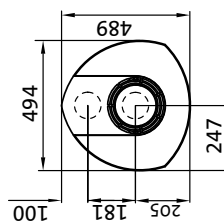
Base model:

Hole in floor for outside air  
 Ø100mm connection  
 Jøtul F 371, F 374, F 375, F 376,  
 F 377, F 379

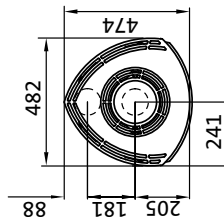
Hole in floor for outside air  
 Ø100mm connection  
 Jøtul F 373



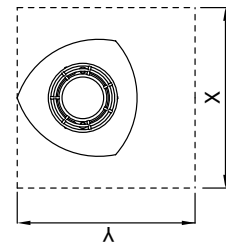
Jøtul F 377:



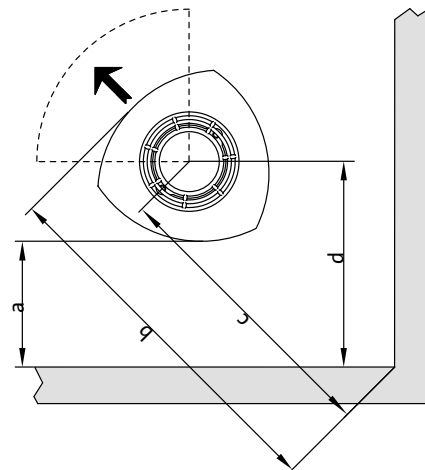
Jøtul F 370 C:



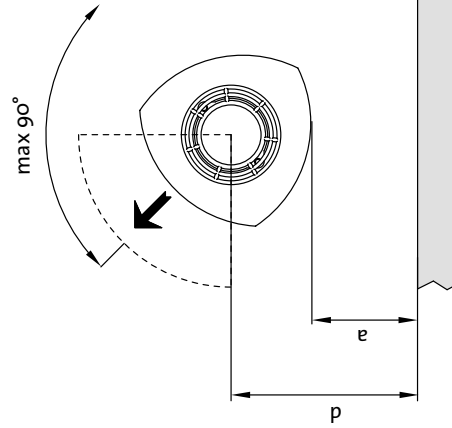
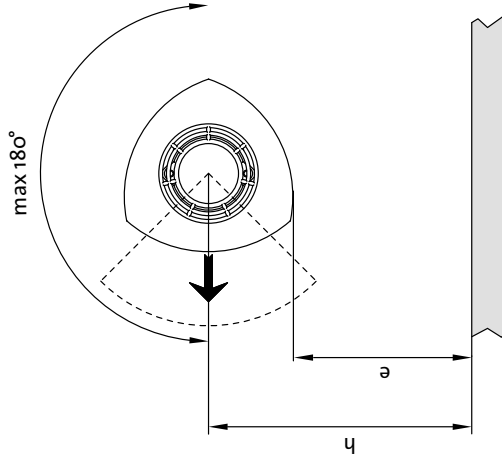
Min. measure floorplate  
 X/Y = Acc. to national standards  
 and regulations.



Min. distance to combustible wall:  
 See table above.



Distance to combustible wall with revolvable pedestal:  
 See table above.



**Jøtul F 370**

Min. distance to combustible wall protected by firewall in different configurations, fig. 1b

Configuration	Measure	a	b	c	d	e	f	g	h	i	j	k	l	m	n	o	p	q	r	s	t
Basic model		100	643	438	310	200	492	287	421	40	550	480	440	735	799	773	934	999	962	756	1156
With side cover plain		100	643	438	310	200	492	287	421	40	550	380	340	735	669	659	934	884	841	556	930
Jøtul F 372, F 375, F 376, F 379 with ext. air through wall		100	643	438	310	200	552	347	421	100	550	-	-	795	-	-	994	-	-	-	-
Jøtul F 370 C (product with convection kit and half insulated chimney)		100	671	466	330	200	524	319	441	50	550	400	200	888	-	807	956	-	897	-	-
Jøtul F 377 (product with soap stone sides and top)		100	703	498	354	200	539	334	447	50	550	400	250	892	-	885	961	-	960	-	-

\* If a steel chimney is used the measure will be 100 mm

Fig. 1 c

Minimum distance to wall for Jøtul F 375, F 376 and F 379 with external air supply through wall

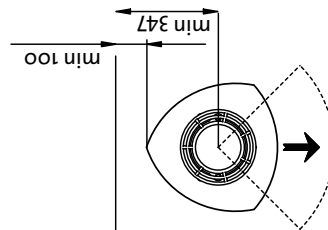
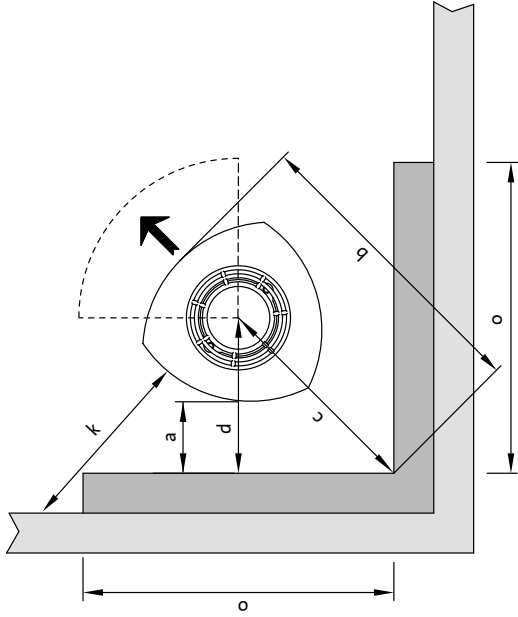
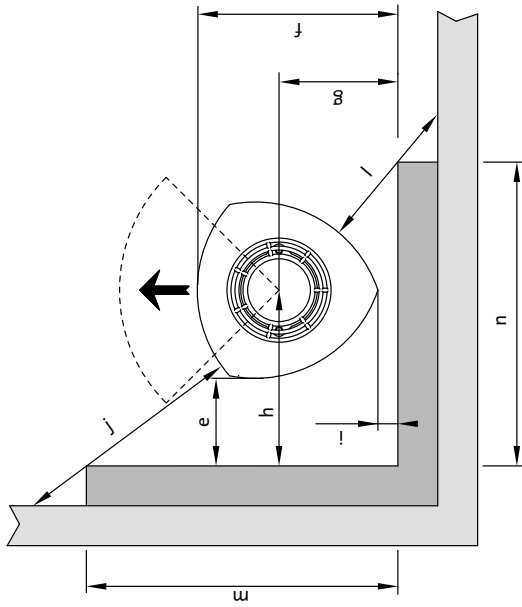
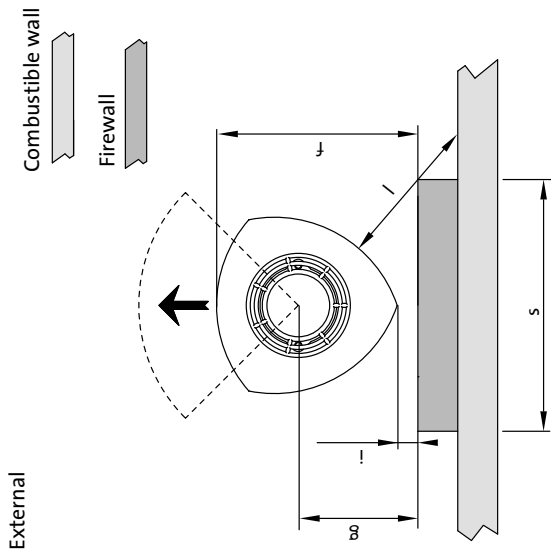


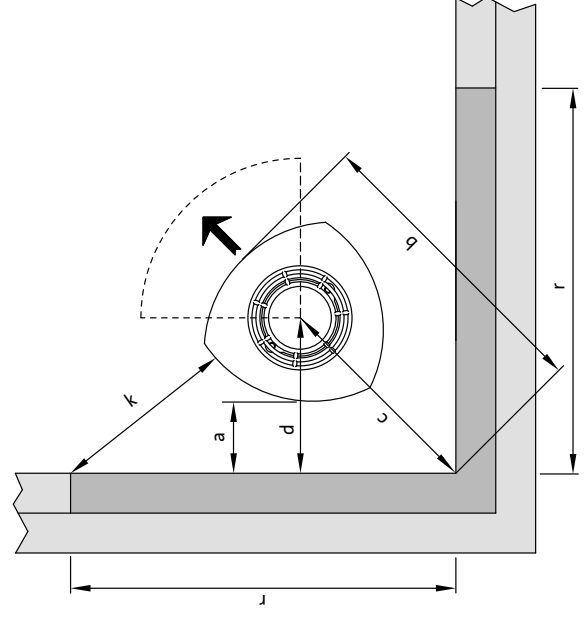
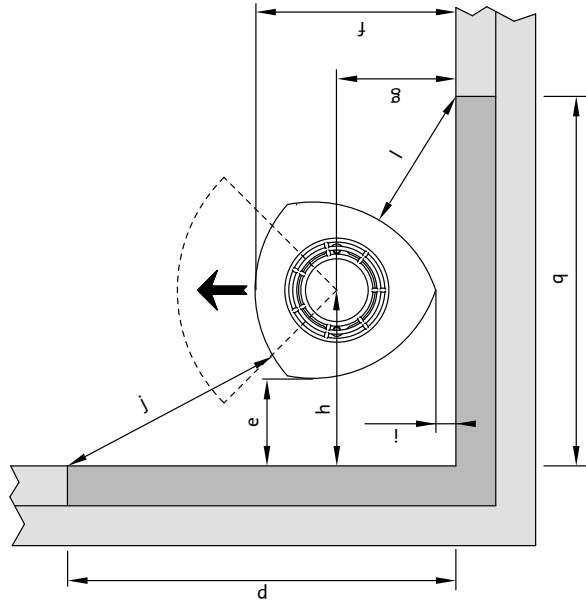
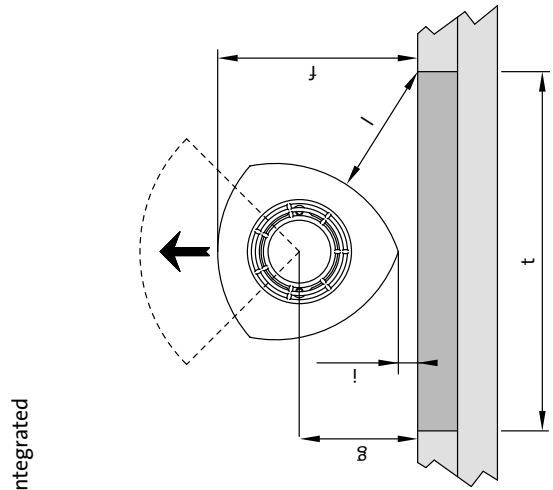
Fig. 1b

Product: Jøtul F 371 / F 373 / F 374 / F 375 / F 376 / F 377 / F 379 / F 370 C

Min. distance to combustible wall protected by approved firewall: See table above.



Integrated



# ENGLISH

## Requirements for protection of inflammable floors in front of the fireplace

The front plate must comply with national laws and regulations. Contact your local building authorities regarding restrictions and installation requirements.

### 3.3 Walls

#### Distance from the wall of flammable material

The fireplace is authorised for use with an uninsulated flue with the distances to the wall of flammable material as shown in **fig 1**.

### 3.4 Ceiling

There must be a minimum distance of **1000 mm** to a combustible ceiling above the fireplace.

## 4.0 Installation

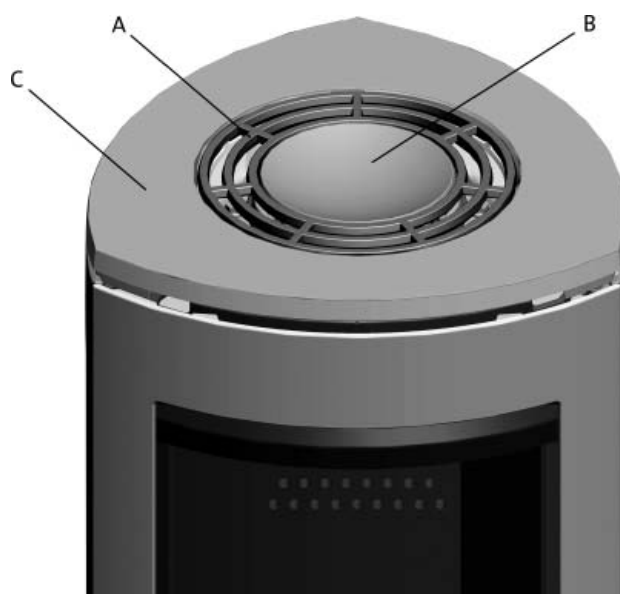
**N.B.** Check that the fireplace is free of any damage prior to commencing installation.

**The product is heavy! Make sure you have assistance when erecting and installing the fireplace.**

### 4.1 Prior to installation

1. Standard product supplied in two packages. One with the fireplace itself and one with optional base in cast-iron/concrete/glass or pedestal in cast-iron.
2. When the product is unpacked, the burn plates, baffle plate, exhaust deflector, base plate, ash pan and riddling grate are removed. Also remove the small side burn plates and gasket for flue pipe which are in the ash pan.

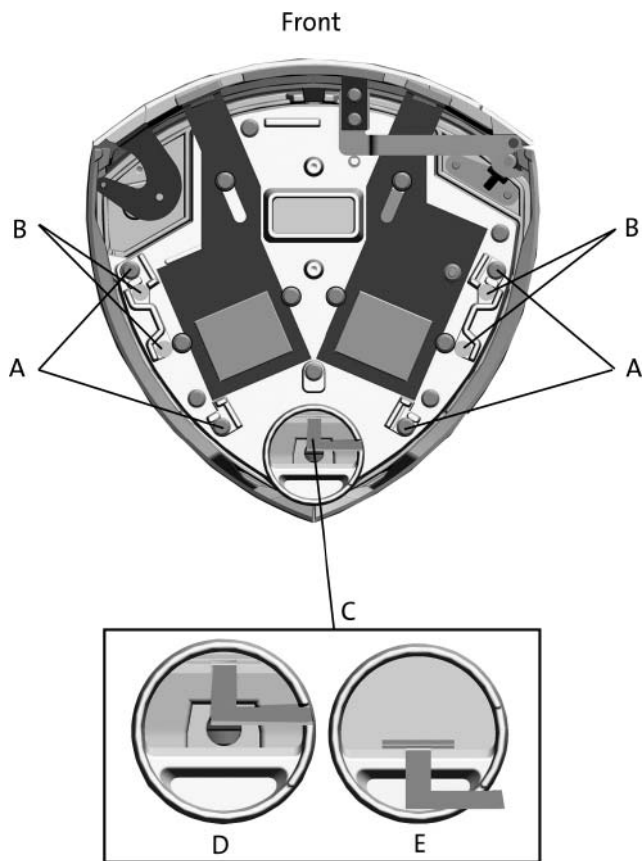
**Fig. 3**



3. Lift off the top plate with the top grid (**fig. 3 A**) and bowl (**fig. 3 B**).
4. Check that the operating handles work.
5. If the rear flue pipe outlet is used, first drill holes (**fig. 5 A**) in the cut-out covers for the flue pipe before they are knocked out with the aid of e.g. a ball-pane hammer.
6. Place the wooden block (**fig. 5 B**) that holds the exhaust deflectors in position so that the side plates are supported when the cut-out covers are removed.
7. Spread out the cardboard packaging on the floor. Lay the stove carefully on its side.



Fig. 4



8. If the glass décor set (optional extras) is to be used, the 4 recessed head screws on the bottom are removed (fig. 4B) with the aid of the key included with the glass décor set.

## 4.2 Assembly

### Jøtul F 371 - cast-iron base

N.B. If the flexible hose is to be connected through a hole in the floor, the knock out covers are not knocked out/removed.

Fig. 5



1. If flexible hose, 100 mm diameter, for external air supply is to be connected to the outlet under the burn chamber (fig. 4 C), drill one hole (fig. 5 C) in each cut-out cover at the lower part of the base and knock them out. N.B. Make sure the rear plate (fig. 6 A) in the base is positioned, when the cut-out cover is being knocked out.

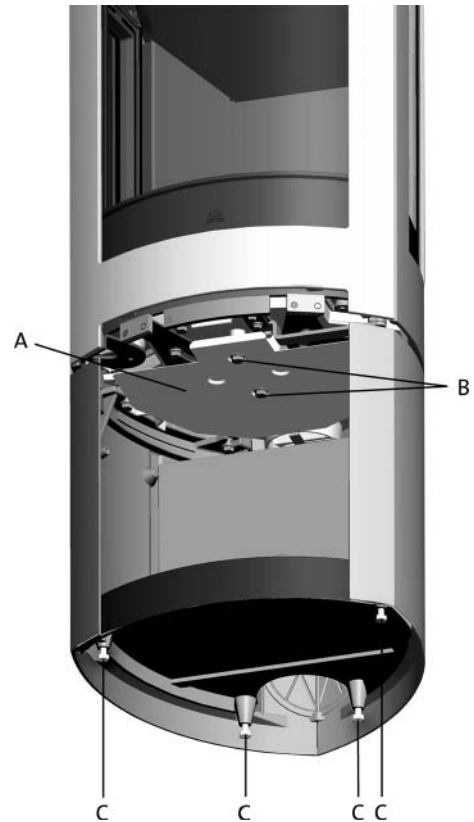
# ENGLISH

Fig. 6



2. Remove rack and rear plate in the base. Check that the handle in the external air vent (**fig. 4D**) is in the foremost position.
3. Assemble the base with the burn chamber with the aid of the 4 screws (M8x30 mm) from the screws bag (**fig. 4 A**).
4. Get assistance and carefully lift the product up.

Fig. 7



5. Adjust the product with the help of the 4 adjusting screws (**fig. 7 C**).
6. Draw the flexible hose through the hole and fasten it to the outlet with the aid of a hose clip. **N.B. Make sure that the hose is long enough to avoid any joints.**
7. The base area must be protected from heat radiation from the product with the aid of the accompanying heat shield (**fig. 7 A**). Fasten this with the 2 screws as shown in **fig. 7 B**.
8. Reassemble the the rack and the rear plate in the base.

### Jøtul F 373 - pedestal

**Important!** If the rotating set is to be assembled, this must be done now before the pedestal is fastened to the hearth. See assembly instructions which accompany the rotating set.

Fig. 11



1. Adjust the product with the help of the 3 adjusting screws (fig. 11 A).
2. Assemble the pedestal to the hearth's bottom plate with the aid of the 4 screws from the bag of screws (fig. 4 A).
3. If the external air supply via the external air vent is to be used, the flexible hose, 100 mm diameter, is connected to the vent on the product (fig. 4 C) now.
4. Push the handle in the external air vent to the foremost position (fig. 4 D).
5. Fasten the hose to the external air vent with the aid of a hose clip. **N.B.** Make sure that the hose is long enough to avoid any joints.
6. If the external air is to be supplied through the floor, place the flexible gasket (fig. 11 B) around the hose, 100 mm diameter, that is drawn through the hole in the floor. **Note!** The hole is in the center of the pedestal/flue pipe.
7. Push the handle in the external air vent to the rear position (fig. 4 E).
8. Get assistance and carefully lift the product up and place it directly above the external air supply.

**Important!** Check that the handle in the external air vent is in the foremost position if the external air is not to go through the pedestal.

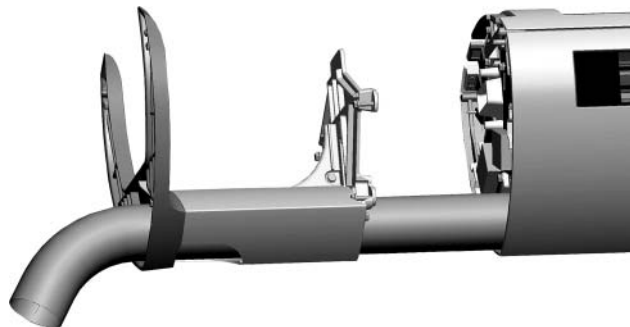
### Jøtul F 374 - Cast iron leg

If external air supplied via the external air vent is to be used, connect a flexible hose, Ø 100 mm, to the external air vent (fig. 4 C) on the product.

#### Installation with external air

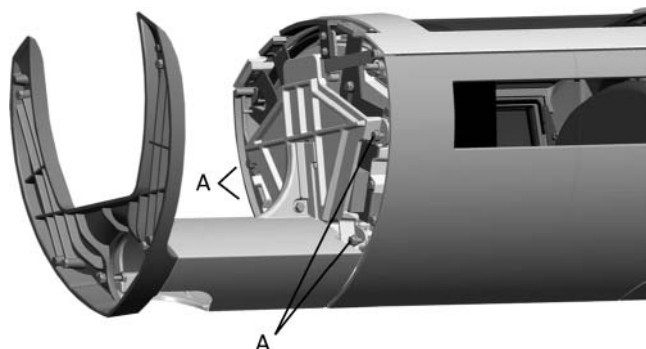
1. Push the lever on the external air vent to its forward position (fig. 4 D).
2. Attach the hose to the external air vent using a hose clip. **NB!** Make sure the hose is long enough to avoid any joints being necessary.

Fig. 12



3. Move the cast iron leg towards the burn chamber as the external air hose is passed through the leg and, if appropriate, through the opening in its back (fig. 12).

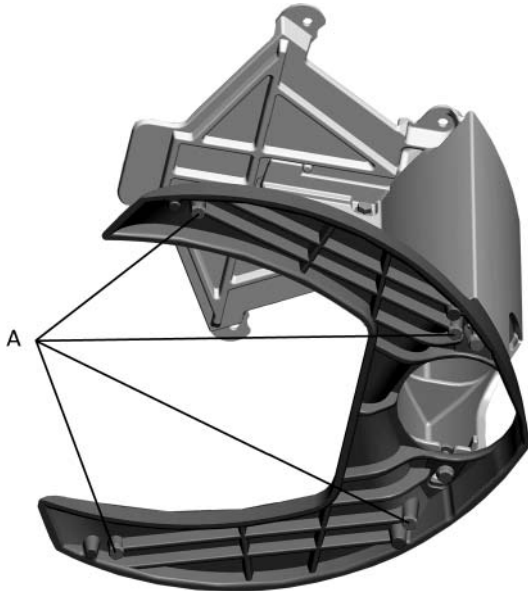
Fig. 13



4. Attach the base to the burn chamber using the 4 screws (M8 x 30 mm) from the bag of screws (fig. 13 A).
5. With the help of another person, carefully raise the product and position it correctly over the external air supply.

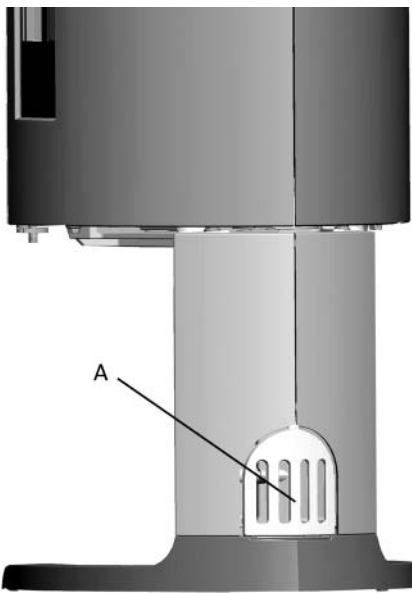
# ENGLISH

Fig. 14



6. Adjust the height of the product if necessary, using the adjustment screws beneath the leg (fig. 14 A).

Fig. 15



7. Replace the cover for the external air supply (fig. 15 A).

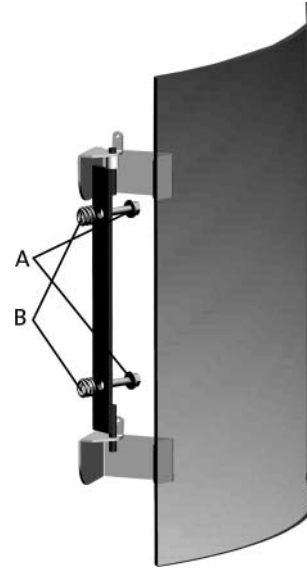
## Installation without external air

1. Attach the base to the burn chamber using the 4 screws (M8 x 30 mm) from the bag of screws (fig. 13A).
2. With the help of another person, carefully raise the product and position it correctly over the external air supply.
3. Adjust the height of the product if necessary, using the adjustment screws beneath the leg (fig. 14A).
4. Replace the cover (fig. 15 A).

## Jøtul F 375 - Cast iron base with glass door

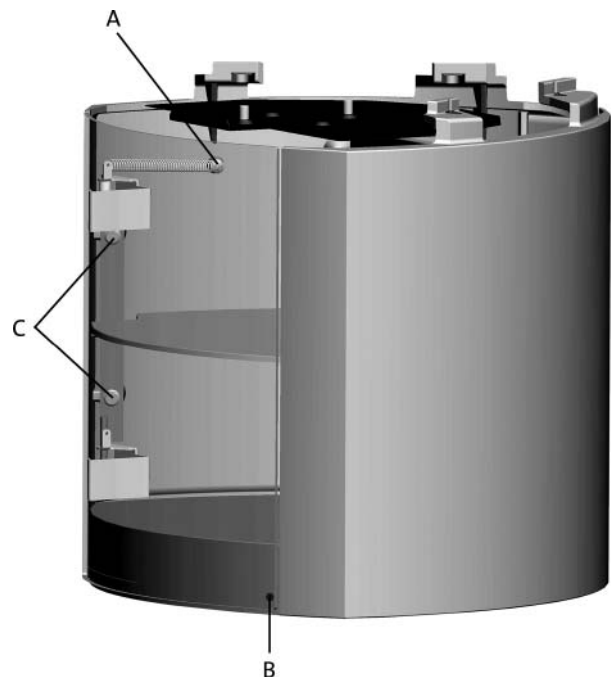
1. Assemble the cast iron base as described under point "Jøtul F 371 - cast iron base".

Fig. 16



2. Attach the hinge for the glass door to the base using the M6 x 20 mm screws, which are in the bag of screws for the glass door (fig. 16 A).
3. Insert the spring between the threaded holes and the hinge before tightening the screws (fig. 16B).

Fig. 17



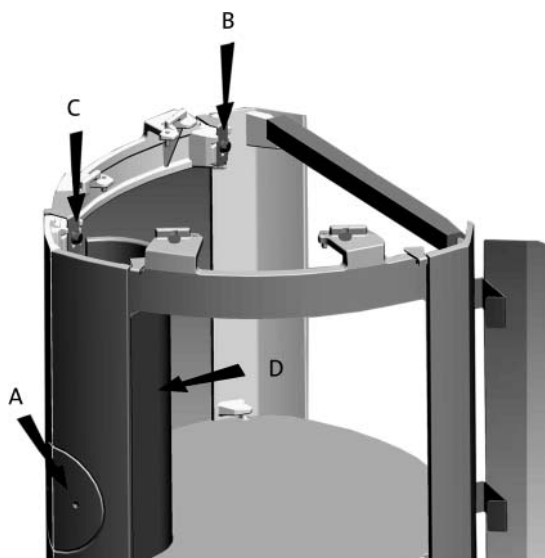
4. Screw the other end of the spring firmly in position (fig. 17 A).
5. Attach the door damper to the inside of the glass door in the bottom right-hand corner (fig. 17 B).

**NB!** There must be an even gap between the door and the base to allow the door to hang straight. Adjust the door if necessary, by tightening or loosening the two screws (fig. 17 C).

## Jøtul F 376 – Glass base

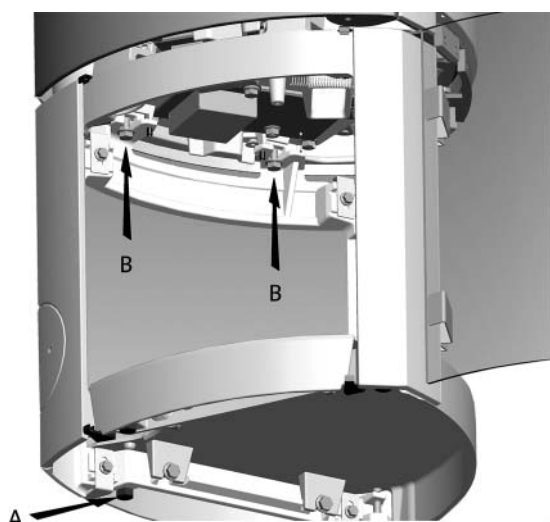
**NB!** If connecting the flex hose through a hole in the floor, do not knock out the removable cover plates (**Fig. 18 A**).

Fig. 18



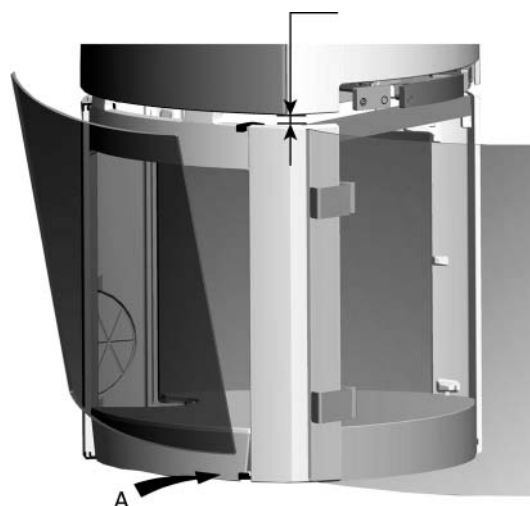
1. Loosen the screws holding the upper glass clips on either side (**Figs. 18 B and C**). Check that the lever on the external air vent is in the forward position (**Fig. 4D**).
2. If connecting a flex hose ( $\varnothing$  100 mm) for external air supply to the external air vent/outlet (**Fig. 4 C**) beneath the burn chamber, first drill a hole (**Fig. 18 A**) in the removable cover plates before they are knocked out. **NB!** Leave the rear plate in the base (**Fig. 18 D**) in place when the cover plates are knocked out.
3. Remove the rear plate (**Fig. 18 D**) in the base.

Fig. 19



4. Place the base in the correct position on the floor plate (if any). Level the product using the 4 adjustment screws (**Fig. 19 A**).
5. Attach the base to the burn chamber using the 4 screws (M8 x 30 mm) from the bag of screws (**Fig. 19 B**).
6. Carefully raise the product with the help of another person.
7. Adjust the glass door, if necessary, with the screws as shown in **Fig. 17 C**. There must be an even gap between the door and the base to allow the door to hang straight.

Fig. 20



8. Install the side glass panels by positioning them in the lower glass clips (**Fig. 20 A**). Lift up the upper clips and press them down onto the side glass. Make sure there is an even gap between the side glass and the side plate at both the front and back. Tighten the front screw for the side glass (**Fig. 18 B**). The back screw (**Fig. 18 C**) should be loosened just sufficiently to allow the glass clip to be raised without removing the screw (this makes it easier if replacing the glass later on).
9. Pull the flex hose (if any) through a hole in the floor or rear of the base (**Fig. 18 A**) and attach it to the outlet using a hose clip. **NB!** Make sure the hose is long enough to make it unnecessary to have any joints.
10. Replace the rear plate (**Fig. 18 D**).
11. The base area must be protected from heat radiation from the product with the aid of the accompanying heat shield (**fig. 7 A**). Fasten this with the 2 screws as shown in **fig. 7 B**.

## Jøtul F 377 - with soapstone

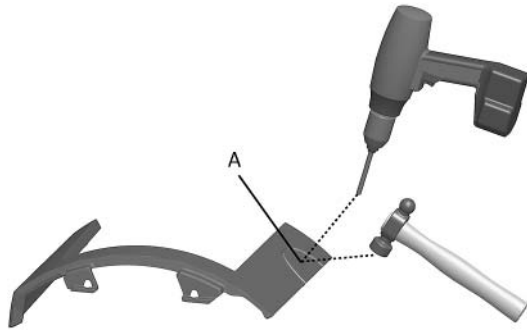
See separate installation manual (cat. no. 10043560).

# ENGLISH

## Jøtul F 379 - with three legs

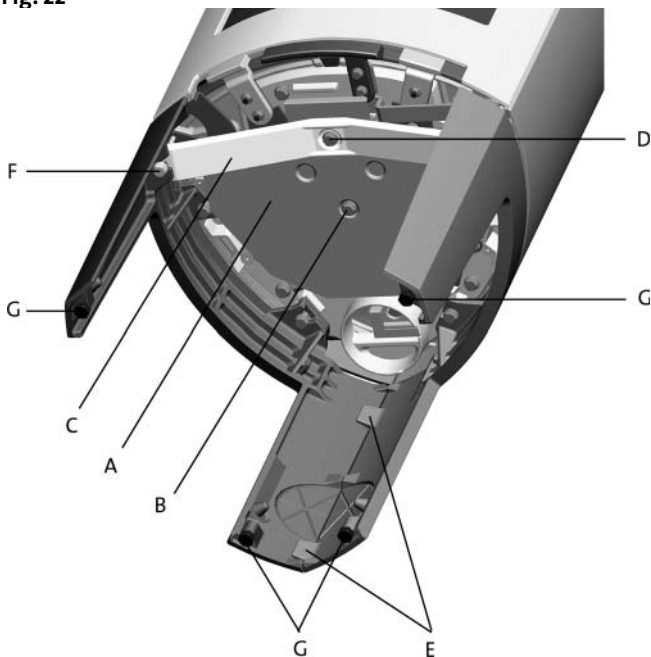
NB! If connecting the flex hose through a hole in the floor, do not knock out the removable cover plates (fig. 21 A).

Fig. 21



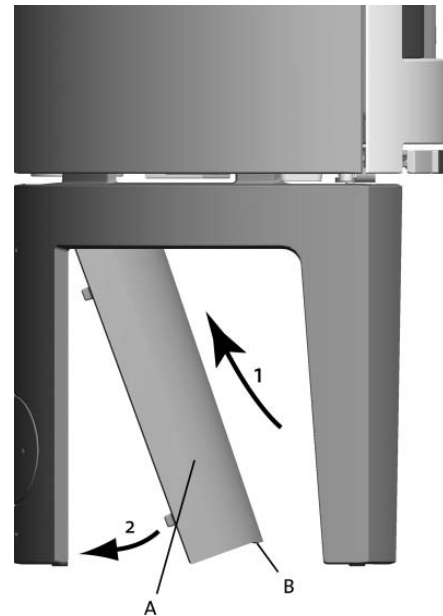
1. If connecting a flex hose ( $\varnothing$  100 mm) for external air supply to the external air vent (fig. 4 C) beneath the burn chamber, first drill a hole (fig. 21 A) in the removable cover plates before they are knocked out. **NB!** Place the parts on a suitable surface before the cover plates are knocked out.

Fig. 22



2. The accompanying heat shield (fig. 22 A) should be used to protect the base from the heat radiating from the product. Secure this first with a screw (fig. 22 B).
3. Secure the brace (fig. 22 C) loosely into place with a screw (fig. 22 D).
4. Attach the base to the burn chamber using the 4 screws (M8 x 30 mm) from the bag of screws (fig. 4 A).
5. Screw the legs together at the back edge using 2 screws that are in the screw holes (fig. 22 E).
6. Secure the brace (fig. 22 C) into place with a screw (fig. 22 F) and nut at both ends.
7. With the help of another person, carefully raise the product.
8. Level the product using the 4 adjustment screws (fig. 22 G).
9. If the legs are not properly aligned, loosen the screws (fig. 22 F) on each side. Adjust the legs and tighten the screws again.
10. Tighten the screw (fig. 22 D).
11. Pull the flex hose through the hole and attach it to the outlet using a hose clip. **NB!** Make sure the hose is long enough so that joints are not necessary.

Fig. 23



12. Place the cover (fig. 23 A) into place. Make sure that the pin (protrusion) B is facing down.

## 4.3 Chimneys and flue pipes

- The fireplace can be connected to a chimney and flue pipe approved for solid fuel fired appliances with flue gas temperatures specified in «2.0 Technical data».
- The chimney's cross-section must be at least as big as the flue pipe's cross-section. See «2.0 Technical data» when calculating the correct chimney cross-section.
- Several solid fuel fired appliances can be connected to the same chimney if the chimney's cross-section is sufficient.
- Connection to the chimney must be carried out in accordance with the installation instructions from the supplier of the chimney.
- Before making a hole in the chimney the fireplace should be test-mounted in order to correctly mark the position of the fireplace and the hole in the chimney. See fig. 1 for minimum dimensions.
- Ensure that the flue pipe is inclined all the way up to the chimney.
- Use a flue pipe bend with a sweeping hatch that allows it to be swept.

Be aware of the fact that it is particularly important that connections have a certain flexibility in order to prevent movement in the installation leading to cracks.

**Chimney draught; See «2.0 Technical data». If the draught is too strong you can install and operate a flue damper to control the draught.**

## Assembly of flue pipe with top outlet

The product is supplied from the factory with the smoke outlet mounted for top outlet.

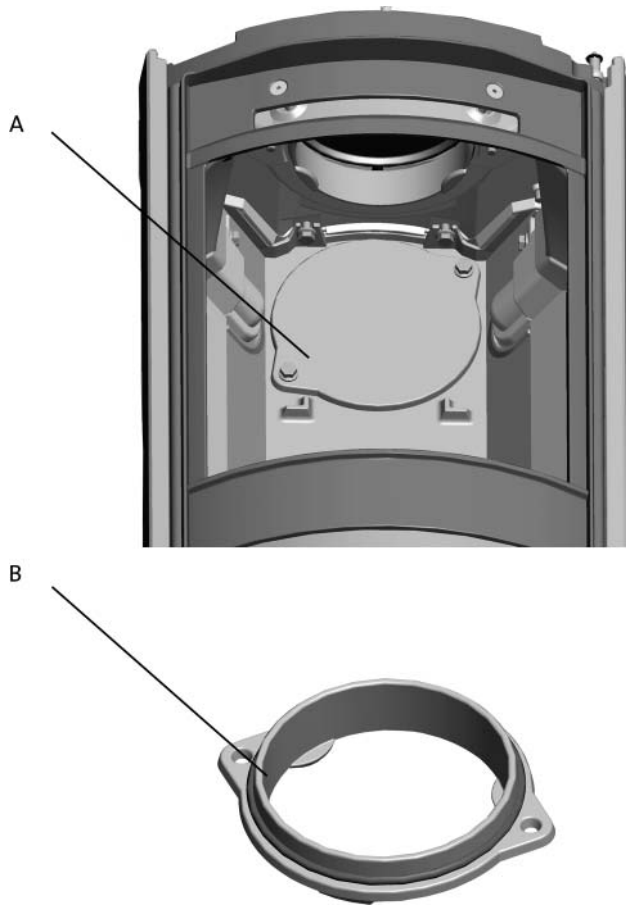
1. Put the top plate (fig. 3 C) on the product.
2. Obtain assistance in lifting the top grate (fig. 3 A) and holding it up while the flue is fastened.
3. Thread the flue pipe through the grate of the top plate and place it on the smoke outlet of the top outlet.
4. Tighten well with gasket.

### Assembly of flue pipe with rear outlet

The product is supplied from the factory with the smoke outlet mounted for top outlet. If you want a rear outlet, do the following:

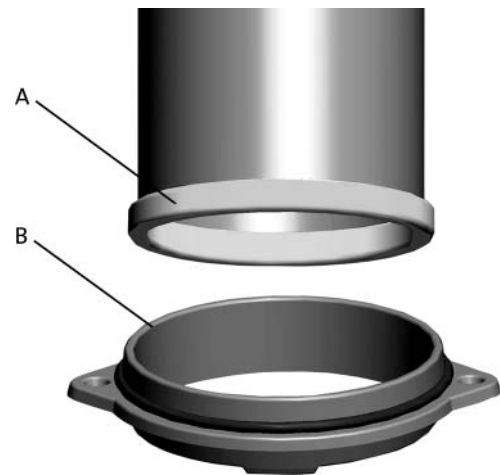
1. Place the product in correct position (fig. 1).

Fig. 24



2. When changing to rear outlet, the smoke outlet (fig. 24 B) is unscrewed from the top outlet.
3. Unscrew the cover for the rear outlet from the inside of the burn chamber (fig. 24 A).

Fig. 25

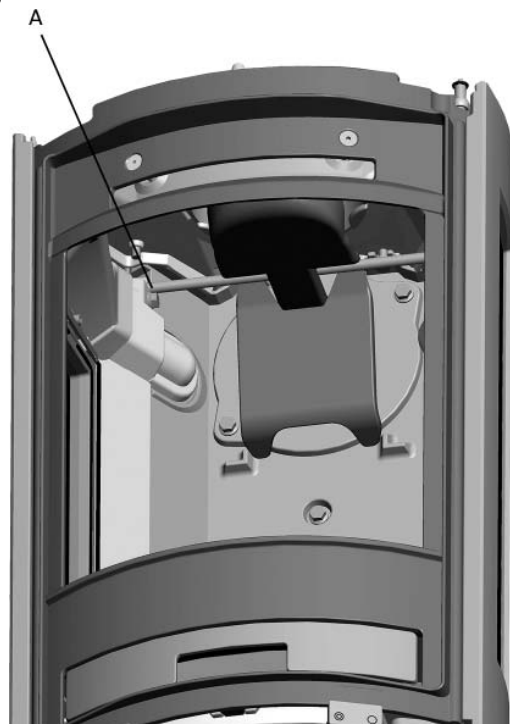


4. Place the gasket on the end of the flue pipe (fig. 25 A).
5. Mount the smoke outlet (fig. 25 B) on the end of the flue pipe that is fitted with the gasket.
6. Mount the flue pipe and smoke outlet from the inside of the burn chamber and attach the smoke outlet using M8x30 mm screws. **N.B. If the flue pipe is longer than 350 mm it has to be assembled into the smoke outlet from the outside of the product.**
7. Fasten the cover to the top outlet (fig. 24) with the screws that fastened the smoke outlet.

**N.B. It is important that the joints/flue pipes are completely sealed. Air leaks can prevent the flue pipe from functioning properly.**

### 4.4 Mounting of the product

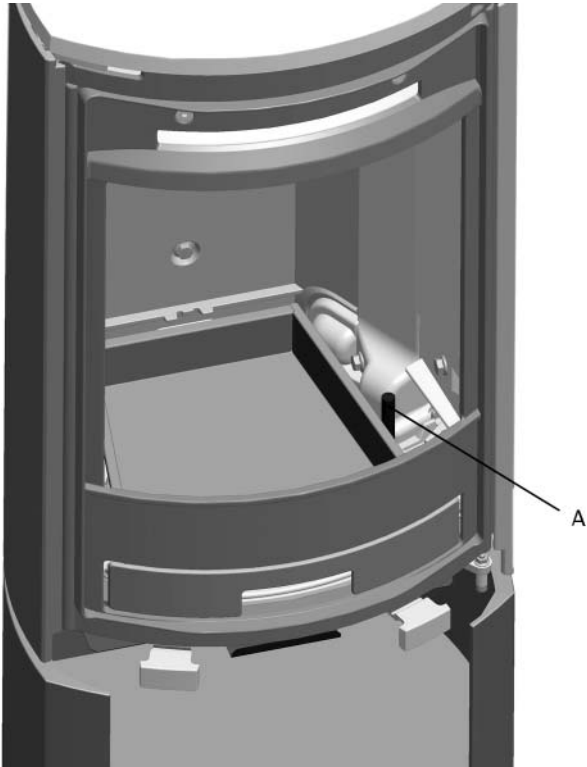
Fig. 26



1. Place the baffle plate with the bar in the groove on the ribs (fig. 26 A).
2. Move the base plate through the opening and place it on the bottom.

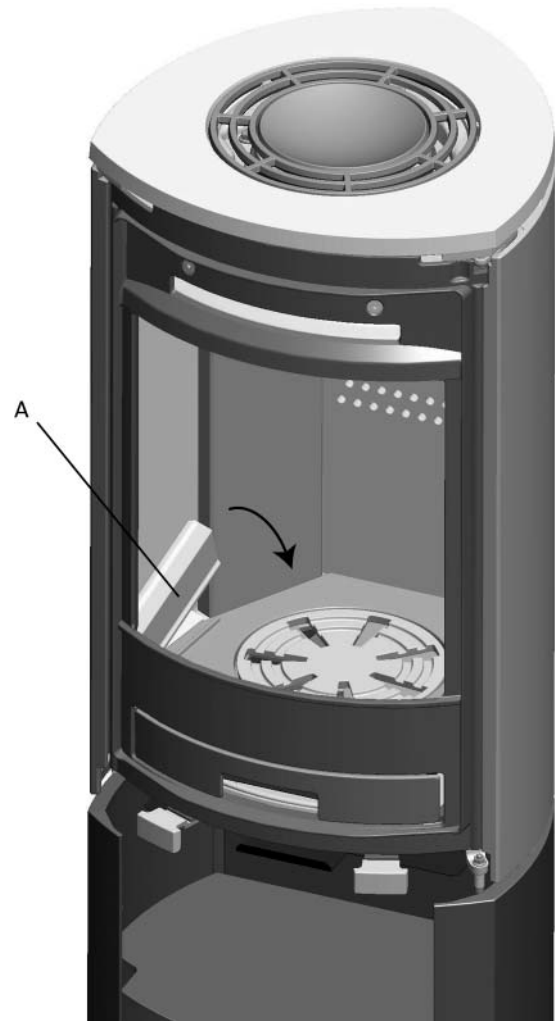
# ENGLISH

Fig. 27



3. Place the riddling grate in position on the base plate. Check that the riddling grate's slot on the right side is entered into the riddling bar (**fig. 27 A**).
4. Place the ash pan at the bottom of the product.
5. Place the rear burn plate in the base plate's rear groove.
6. Place the side burn plates on each side in the base plate's side grooves. Move the baffle plate in and place it so that it rests on the side and rear burn plates.
7. Hold the baffle plate while the other side burn plate is mounted.

Fig 28



8. Let the baffle plate rest on the burn plates.
9. Place the small side burn plates (**fig. 28 A**) in the base plate's groove under the side glasses.
10. Replace the top plate with the top grid and bowl.
11. Place the product data plate which is in the ash pan, underneath the burn chamber.

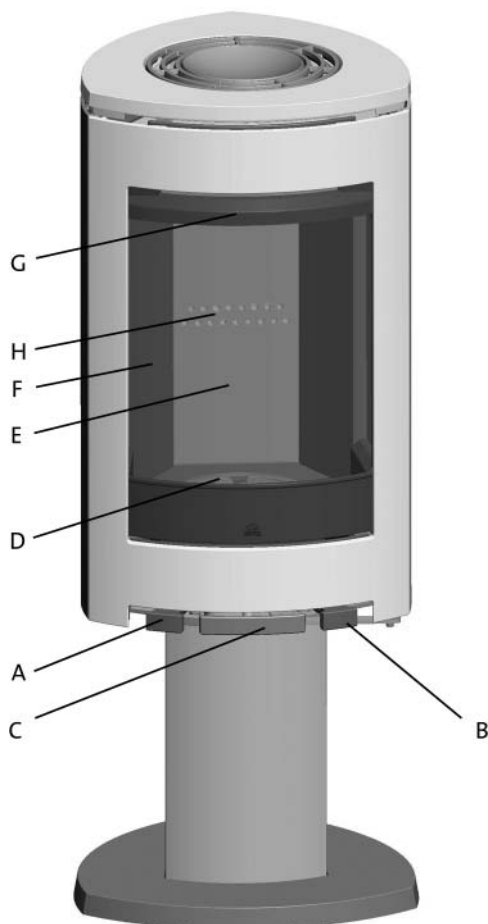


## 4.5 Control of functions

When the product is set up, always check the control functions. These shall move easily and function satisfactorily.

Jøtul F 370 is equipped with the following controls:

Fig. 29



### Air vent fig. 29 A

Pushed in: Closed  
Pulled out: Open

### Ignition vent, fig. 29 B

Pushed in: Closed  
Pulled out: Open

### Riddling grate (same handle as for the ignition vent) (Fig. 29 B)

Right handle is pushed in and out.

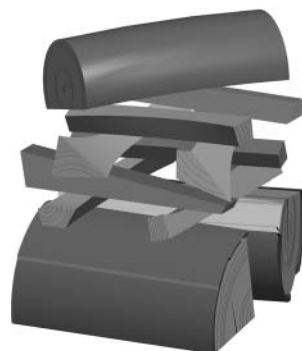
### Handle for door fig. 29 C:

Is opened by pulling handle out.

## 4.6 Use

- Open the air vent and the ignition vent by pulling it out all the way (fig. 29 A & B). If necessary, keep the door slightly open. (Use a glove, for example, as the handle can become hot.)
- Place two medium sized logs in/out on each side of the base. **N.B.** In order to avoid sooting on the glass, it is important that the log is not placed adjacent to the glass on the product.
- Crumple some newspaper (or birch bark) between these and add some kindling wood in a criss-cross pattern on top and light the newspaper. (Fig. 30)
- Gradually increase the size of the fire, but the wood should not be stacked higher than the horizontal holes on the back burn plate. See fig. 29 H.
- Finally, place a medium-sized log on the top of the pile.
- Place 2 or 3 briquettes or kindling sticks under the top layer of kindling and light the fire.
- **NB: The maximum height of the pile of the wood should be just below the horizontal holes. The holes must not be covered.**
- Close the ignition vent (fig. 29 B) when the firewood has ignited and the fire is burning well.
- Check that the afterburning (secondary combustion) starts. This is best indicated by yellow, flickering flames under the baffle.
- Then regulate the rate of combustion to the desired level of heating by adjusting the air vent (fig. 29 A).

Fig. 30



## Adding firewood

Stoke the stove frequently but only add small amounts of fuel at a time. If the stove is filled too full, the heat created may cause extreme stress in the chimney. Add fuel to the fire in moderation. Avoid smouldering fires as this produces the most pollution. The fire is best when it is burning well and the smoke from the chimney is almost invisible.

## 4.7 Danger of overheating

### The fireplace must never be used in a manner that causes overheating

Overheating occurs when there is too much fuel and/or too much air so that too much heat develops. A sure sign of overheating is when parts of the fireplace glow red. If this happens, reduce the air vent opening immediately.

Seek professional advice if you suspect that the chimney is not drawing properly (too much/too little draught). For further information, see «4.0 Installation» (Chimney and flue pipe).

# ENGLISH

## 4.8 Ash removal

Jøtul F 370 has an ash pan which makes it easy to remove the ashes.

1. Only remove ashes when the fireplace is cold.
2. Push/pull the handle for the ash grate/ignition vent out and in several times so that the ashes fall down into the ash pan. Use something like a glove to grab the handle on the ash pan.
3. Make sure that the ash pan doesn't fill up so high that it keeps ash from coming through the grate into the pan.

## 5.0 Daily use

### Odours when using the fireplace for the first time

When the fireplace is used for the first time, it may emit an irritating gas which may smell slightly. This happens because the paint dries. The gas is not toxic but the room should be thoroughly ventilated. Let the fire burn with a high draught until all traces of the gas have disappeared and no smoke or odours can be detected.

### Heating advice

**NB:** Logs that have been stored outdoors or in a cold room should be brought indoors 24 hours before use to bring them up to room temperature.

There are various ways of heating the stove but it is always important to be careful about what you put in the stove. See the section on "Wood quality".

### Wood quality

**By quality wood we mean most well-known types of wood such as birch, spruce and pine.**

The logs should be dried so that the moisture content is no more than 20%.

To achieve this, the logs should be cut during the late winter. They should be split and stacked in a way that ensures good ventilation. The wood stacks should be covered to protect the logs from rain. The logs should be brought indoors during early autumn and stacked/stored for use in the coming winter.

**Be especially careful never to use the following materials as fuel in your fireplace:**

- Household rubbish, plastic bags, etc.
- Painted or impregnated timber (which is extremely toxic).
- Laminated wooden planks.
- Driftwood

*These may harm the product and are also pollutants.*

**NB: Never use petrol, paraffin, methylated spirit or similar liquids to light the fire. You may cause serious injury to yourself and damage to the product.**

## Wood consumption

Jøtul F 370 has a nominal heat output of **5,5 kW**. Use of wood, with nominal heat emission: Approx. **1,9 kg/h**. Another important factor for proper fuel consumption is that the logs are the correct size. The size of the logs should be:

### Kindling:

*Length: 30 cm*

*Diameter: 2-5 cm*

*Amount per fire: 6-8 pieces*

### Firewood (split logs):

*Length: Ca 20 - 30 cm*

*Diameter: Approx. 8 cm*

*Intervals for adding wood: Approximately every 45 minutes*

*Size of the fire: 1.4 kg*

*Amount per load: 2 pieces*

Nominal heat emission is achieved when the air vent (**fig. 29 A**) is open approximately 100% and the handle for the ignition vent pulled out approximately 1-2 cm (**fig. 29 B**).

## 6.0 Maintenance

### 6.1 Cleaning the glass

The product is equipped with an air wash for the glass. Air is sucked in through the air vent on the top of the product and down along the inside of the glass.

However, some soot will always stick to the glass, but the quantity will depend on the local draught conditions and adjustment of the air vent. Most of the soot layer will normally be burned off when the air vent is opened all the way and a fire is burning briskly in the fireplace.

**Good advice!** For normal cleaning, moisten a paper towel with warm water and add some ash from the burn chamber. Rub it over the glass and then clean the glass with clean water. Dry well. If it is necessary to clean the glass more thoroughly we recommend using a glass cleaner (*follow the instructions on the bottle*).

### 6.2 Cleaning and soot removal

Soot deposits may build up on the internal surfaces of the fireplace during use. Soot is a good insulator and will therefore reduce the fireplace's heat output. If soot deposits accumulate when using the product, they can be easily removed by using a soot remover.

In order to prevent a water and tar layer from forming in the fireplace you should regularly allow the fire to burn hot in order to remove the layer. An annual internal cleaning is necessary to get the best heating effect from the product. It is a good idea to do this in connection with the sweeping of the chimney and flue pipes.

### 6.3 Sweeping of flue pipes to the chimney

On certain free-standing fireplaces the top plate can be lifted off and the pipe swept through the top.

Otherwise, flue pipes must be swept through the flue pipe sweeping hatch or through the product's door opening. Then, the baffle must be removed.

## 6.4 Inspection of the fireplace

Jøtul recommends that you personally inspect your fireplace carefully after sweeping/cleaning. Check all visible surfaces for cracks. Also check that all joints are sealed and that the gaskets are in the correct position. Any gaskets showing signs of wear or deformation must be replaced.

Thoroughly clean the gasket grooves, apply ceramic glue (available from your local Jøtul dealer), and press the gasket well into place. The joint will dry quickly.

## 6.5 Exterior maintenance

**Painted products** may change colour after several years usage. The surface should be cleaned and brushed free of any loose particles before new paint is applied.

## 7.0 Service

**Warning!** Any unauthorised change to the product is illegal. Only use original spare parts.

### 7.1 Replacing the baffle/exhaust deflector

(N.B. If you use tools, be aware that the vermiculite plates may be damaged by rough treatment).

1. Lift up the front edge of the baffle plate and tilt it out (fig. 29 G). Remove the side burn plates (fig. 29 F) and the rear burn plate (fig. 29 E).
2. The exhaust deflector, in cast-iron - that is located above the baffle plate, rests with the bar on the ribs at the rear flue outlet (fig. 26 A). Lift the exhaust deflector slightly up, pull it forward and tilt it out.
3. For reassembly follow the same procedure for installation, but in reverse.

### 7.2 Replacement of burn plates/base plate

(N.B. If you use tools, be aware that the vermiculite plates may be damaged by rough treatment).

1. Lift up the front edge of the baffle plate and tilt it out. Remove the side burn plates (fig. 29 F) and the rear burn plate (fig. 29 E).
2. Then lift up the grate and the base plate and take it out (fig. 29 D).
3. Follow the same procedure for installation, but in the opposite sequence.
4. When reassembling the grate and the base plate, make sure that the riddling bar (fig. 27 A) that moves the riddling grate is threaded into the slot on the right edge of the grate.

### 7.3 Replacing the inner/outer side glass

1. Lift up the front edge of the baffle plate and tilt it out. Remove the side burn plates (fig. 29 F) and the rear burn plate (fig. 29 E).
2. The exhaust deflector, in cast-iron - that is located above the baffle plate, rests with the bar on the ribs at the rear flue outlet (fig. 26 A). Lift the exhaust deflector slightly up, pull it forward and tilt it out.
3. Remove riddling grate, base plate and ash pan (fig. 29 D).

Fig. 31

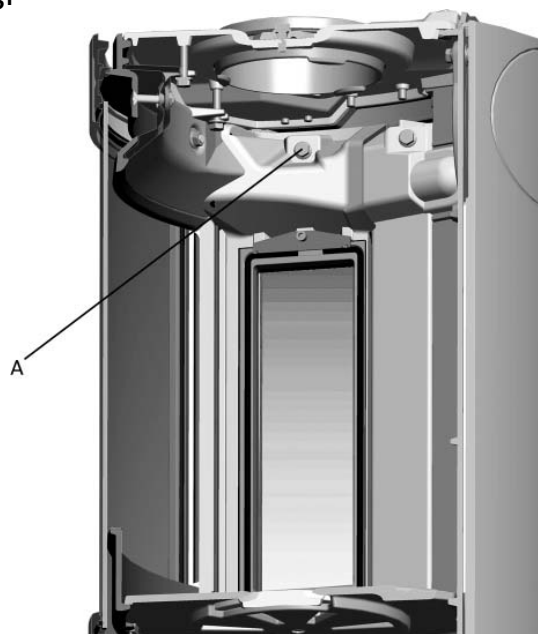
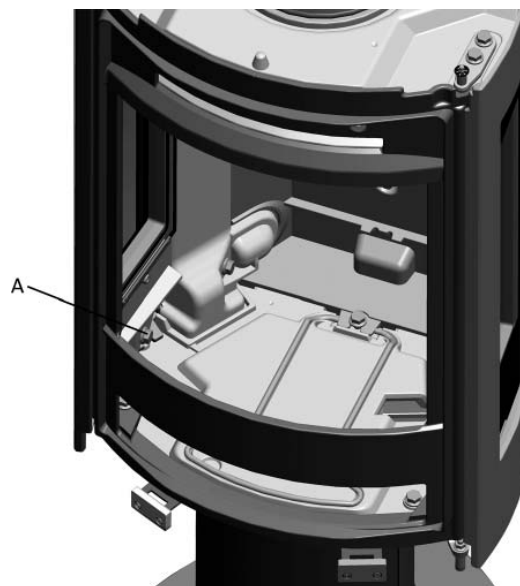


Fig. 32



4. Unscrew the upper and lower screws (fig. 31 A and 32 A), and tilt the glass holder with the glass carefully out through the door. N.B. The glass holder also keeps the outer glass in place.
5. Remove the glass and possibly replace gaskets. If needed replace the external glass.
6. For reassembly follow the same procedure for installation, but in reverse.

# ENGLISH

## 8.0 Operational problems - troubleshooting

### Poor draught

1. Check the length of the chimney and that it complies with national laws and regulations. (See also «**2.0 Technical data**» and «**4.0 Installation**» (Chimney and flue pipe) in the installation manual for information.)
2. Make sure that the minimum cross section on the chimney is according to «**2.0 Technical data**» in the installation manual.
3. Make sure that there is not anything preventing the smoke gasses from escaping: branches, trees, etc.
4. Upon suspicion of excessive/poor draught in the chimney, seek professional help for measurement and adjustment.

### The fire extinguishes after a while

1. Make sure that the firewood is sufficiently dry.
2. Find out whether there is negative pressure in the house, close mechanical fans and open a window close to the fireplace.
3. Check that the air vent is open.
4. Check that the flue outlet is not clogged by soot.

### Unusual amount of soot accumulates on the glass

Some soot will always stick to the glass, but the quantity depends on:

1. Moisture in the fuel.
2. The local draught conditions.
3. Air vent opening.

Most of the soot will normally burn off when the air vent is opened all the way and a fire is burning briskly in the fireplace. (See «**6.1 Cleaning the glass**».)

## 9.0 Optional equipment

### 9.1 Decoration plates

Decoration plates, cover for side windows (2 units), black paint - *cat. no. 50037271 (350990)*.

Decoration plates, cover for side windows (2 units), grey paint - *cat. no. 50037272 (350991)*.

Soapstone, top 25 mm one-piece - *cat. no. 50012988 (350992)*.  
Soapstone, top 25 mm three-piece - *cat. no. 50013013 (361011)*  
(*substitute for 50012988 (350992) installed with steel chimney*).

### 9.2 Glass decoration, top, sides and front

(*see separate installation manual*)

Glass set for rear smoke outlet, black paint, - *cat. no. 51012250 (350993)*

Glass set for rear smoke outlet, grey paint, - *cat. no. 51012251 (350994)*

Glass set for top smoke outlet, black paint, - *cat. no. 51012252 (350995)*

Glass set for top smoke outlet, grey paint, - *cat. no. 51012253 (350996)*

### 9.3 Rotating kit

(*See separate installation manual*)

Rotating set for Jøtul F 373, - *cat. no. 51012254 (350997)*

### 9.4 Wood store

Black paint - *cat. no. 50012995 (351160)*

Grey paint - *cat. no. 50013037 (351161)*

### 9.5 Cast iron door for base (Jøtul F 371)

Black paint - *cat. no. 51036917 (351115)*

Grey paint - *cat. no. 51036918 (351116)*

### 9.6 High Top

Cat. no. 51012304

### 9.7 Heat storage system

Cat. no. 10026701

### 9.8 Soapstone

Jøtul F 377 soapstone kit, *cat. no. 21043545*

Jøtul F 377 HT soapstone kit, *cat. no. 21043546*

### 9.9 Convection kit

Jøtul F 370 C convection, sides, BP, *cat. no. 50043647*

Jøtul F 370 C, convection, top, BP, *cat. no. 50043642*

## 10.0 Warranty

Jøtul AS provides its customers with a ten-year warranty with the right to return external cast-iron items if they show defects as a result of faulty materials and/or manufacturing after the initial purchase/installation of the fireplace. The buyer is entitled to return the goods provided that the fireplace has been installed in compliance with current laws and regulations and in compliance with Jøtul's installation and operating instructions.

### **The warranty does not cover:**

The installation of optional extras, for example, to rectify local draught conditions, air supply or other circumstances beyond Jøtul's control. The warranty does not cover consumables, such as burn plates, smoke baffles, fire grates, bottom grates, brick refractories, dampers and gaskets as they deteriorate over time due to normal wear and tear. The warranty does not cover damage caused as a result of using unsuitable fuel when lighting the fire, such as driftwood, impregnated and painted wood, plank offcuts, chipboard, etc. Overheating may easily occur if unsuitable fuel is used, i.e. the fireplace becomes red hot, which causes the paint to discolour and the cast iron parts to crack.

The warranty is not valid for damage caused while the product is in transit from the distributor to the delivery address. The warranty is not valid either for damage caused by the use of non-original parts.

# FRANCAIS

## Sommaire

1.0	Relations avec les autorités .....	22
2.0	Données techniques .....	22
3.0	Sécurité .....	23
4.0	Installation .....	28
5.0	Utilisation au quotidien.....	38
6.0	Entretien .....	39
7.0	Maintenance .....	39
8.0	Dysfonctionnements - Causes et dépannages .....	40
9.0	Équipements disponibles en option .....	41
10.0	Garantie .....	41

Product: Jøtul Room heater fired by solid fuel			
CE			
Standard Minimum distance to adjacent combustible materials: Emission of CO in combustion products: Flue gas temperature Nominal heat output Efficiency Operation range Fuel type Operational type The appliance can be used in a shared flue.			
Country	Classification	Certification standard	Approved by
Norway	Klasse II		
Sweden	000	EP	SP Sveriges Provnings- och Forskningsinstitut AB
EU	Intermittent	EN	SP Swedish National Testing and Research Institute
Follow user's instructions. Use only recommended fuels. Montage- und Bedienungsanleitung beachten. Verwenden Sie nur empfohlenen Brennstoffen. Respectez les consignes d'utilisation. Utilisez uniquement les combustibles recommandés.			
Serial no. Yxxxxx, Year: 200x			
Manufacturer: Jøtul AS POB 1441 N-1602 Fredrikstad Norway			

Tous nos produits sont livrés avec une étiquette reprenant le numéro de série et l'année. Reportez ce numéro à l'endroit indiqué dans les instructions d'installation.

N'oubliez pas de le mentionner à chaque fois que vous contactez votre revendeur ou Jøtul.

Serial no.

## 1.0 Relations avec les autorités

L'installation d'un poêle est soumise aux législations et réglementations nationales en vigueur. Les réglementations locales, y compris celles se rapportant aux normes nationales et européennes, doivent être respectées lors de l'installation du produit.

Veillez lire attentivement le manuel d'installation et d'utilisation avant de procéder à l'installation. L'installation ne doit pas être utilisée avant d'avoir été inspectée et approuvée.

Une plaque signalétique thermorésistante se trouve sur le bouclier thermique, sous l'appareil. Elle comporte les informations suivantes : fabricant, adresse, nom du produit, référence catalogue, norme de fabrication, référence de production et puissance.

## 2.0 Données techniques

Matériau : fonte  
Finition : peint noir ou gris  
Combustible : bois exclusivement  
Longueur des bûches (maxi) : 30 cm  
Conduit : supérieur, arrière  
Conduit de raccordement : Ø150 mm/section de min. 177 cm<sup>2</sup>

Poids :

- avec base en fonte : env. 163 kg
- avec piédestal en fonte : env. 156 kg
- avec pied en fonte : env. 154 kg
- avec base en fonte avec porte vitrée : env. 165 kg
- avec base en verre : env. 158 kg
- Jøtul F 377 avec pierre ollaire : env. 220 kg
- Jøtul F 377 HT avec pierre ollaire : env. 270 kg
- Jøtul F 377 avec système de stockage de chaleur et pierre ollaire : env. 330 kg
- avec trois pieds : env. 149 kg

Options :  
Plaque décorative - caches pour vitres latérales, set de rotation (Jøtul F 373), pierre ollaire, décoration en verre, supérieure, latérale et frontale, panier à bois, porte en fonte du pied (Jøtul F 371), High Top (HT), ollaire, Jøtul F 377 HT pierre ollaire, kit de convection, système de stockage de chaleur.

Dimensions, distances : voir fig. 1

### Données techniques conformes à la norme EN 13240

Puissance thermique nominale : 5,5 kW  
Débit massique de fumées : 5,9 g/s  
Tirage recommandé : 12 Pa  
Rendement : 73 %@5,8kW  
Taux de CO (13 % O<sub>2</sub>) : 0,12 %  
Température des fumées : 330° C  
Mode de fonctionnement : intermittent

La combustion intermittente correspond à l'utilisation normale d'un foyer, réalimenté dès que le combustible a brûlé et formé suffisamment de braises. Voir 5.0 plus loin.

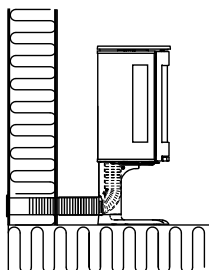
Nous vous recommandons de vous inspirer des règles du D.T.U. 24.2.2. Vous devez lire entièrement le présent manuel avant de commencer l'installation et le conserver pendant toute la durée de l'utilisation du poêle.

## Arrivée d'air

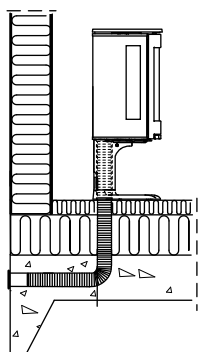
L'arrivée d'air frais peut être raccordée directement au poêle Jøtul F 370 Series par :

- la base, le piédestal, le pied ou
- par un tuyau flexible depuis l'extérieur ou la cheminée (seulement si celle-ci dispose d'une conduite propre pour l'air frais) et vers le raccord d'air frais de l'appareil.

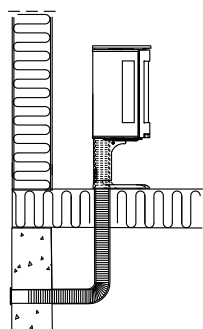
Par un mur



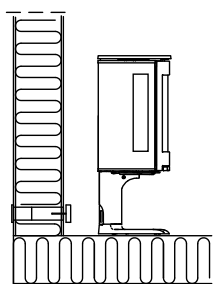
Par le sol et la plaque de sol



Par le sol et la cave



Indirectement par un mur



## 3.0 Sécurité

**Remarque : Afin d'assurer un niveau de rendement et de sécurité optimal, l'installation d'un poêle Jøtul doit être confiée à un installateur qualifié.**

Toute modification de l'appareil par le distributeur, l'installateur ou l'utilisateur final, risque de compromettre le bon fonctionnement de l'appareil et de ses éléments de sécurité. Ceci s'applique également à l'installation d'accessoires ou d'équipements en option qui ne sont pas fournis par Jøtul. Ce risque peut par ailleurs survenir dans le cas où des pièces ou éléments essentiels pour le bon fonctionnement et la sécurité du poêle, ont été désassemblés ou retirés.

Dans tous ces cas, le fabricant ne pourra être tenu responsable pour le produit et le droit de recours à la garantie sera rendu nul et sans effet.

### 3.1 Mesures de prévention anti-incendie

Toute utilisation du poêle comporte un certain degré de risque. C'est pourquoi, il est indispensable de toujours respecter les consignes de sécurité suivantes :

- Les distances minimales à respecter en utilisant le poêle ressortent de la **figure 1**.
- Assurez-vous que les meubles et autres matériaux inflammables ne sont pas trop rapprochés du poêle. Pas de matériaux inflammables dans un rayon de 1 mètre du poêle.
- Laissez le feu s'éteindre de lui-même. Ne tentez jamais d'éteindre le feu avec de l'eau.
- Le poêle devient chaud lorsqu'il est allumé et peut provoquer des brûlures à la personne qui le touche.
- Attendez que le poêle soit froid pour retirer les cendres. Les cendres pouvant encore contenir des braises, il convient de les recueillir dans un réceptacle ininflammable.
- Il convient d'épandre les cendres à l'extérieur ou de les vider dans un endroit ne présentant aucun risque d'incendie.

#### En cas de feu de cheminée :

- Fermer l'ensemble des trappes et des entrées d'air.
- Maintenir la porte de la chambre de combustion fermée.
- Vérifier toute présence de fumée dans le grenier et dans la cave.
- Contacter le service de sécurité incendie.
- Suite à un feu de cheminée, le foyer et la cheminée doivent être contrôlés par un spécialiste avant toute nouvelle utilisation afin de s'assurer que l'installation est opérationnelle.

### 3.2 Le sol

#### Sol

Assurez-vous que le sol convient pour un poêle. Se reporter à la section « 1.0 Données techniques » pour la spécification du poids. Il est recommandé d'enlever les revêtements situés sous le poêle, si ceux-ci ne sont pas solidaires du sol (parquets flottants).

#### Exigences relatives à la protection des sols en bois

Le modèle Jøtul F 370 comporte un bouclier thermique sur le dessous pour protéger le sol du rayonnement. L'appareil a une protection du sol intégrée et peut donc être posée directement sur un sol en bois.

## Jøtul F 370

Distance minimum par rapport au mur en matériau combustible (fig. 1a).

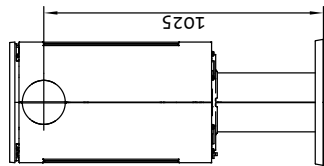
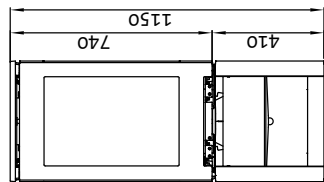
Configuration	Point de mesure	a	b	c	d	e	f	g	h	i
Modèle de base		440	1125	920	650	480	612	407	701	160
Avec plaques décoratives cachées pour vitres latérales		340	982	777	550	380	612	407	601	160
Avec conduit semi-isolé		440	1125	920	650	480	552	347	701	100
Avec habillage verre de côté		190	771	566	400	280	558	353	501	* 160
Jøtul F 370 C (appareil avec kit de convection, vitres latérales et tuyau isolé)		150	742	537	380	400	524	319	641	50
Jøtul F 377 (appareil avec dessus et côtés en pierre ollaire)		250	915	710	502	400	539	334	647	50

\* Si un conduit acier isolé est mis en œuvre, cette mesure sera de 100 mm ».

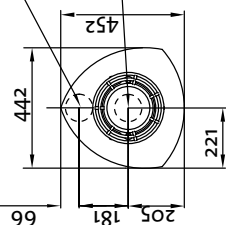


Fig. 1a

Jøtul F 371 / F 373 / F 374 / F 375 / F 376 / F 377 / F 379 / F 370 C



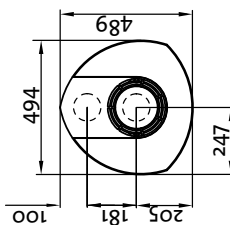
Modèle de base



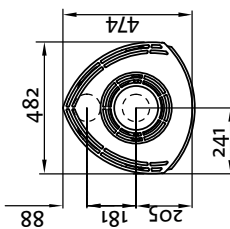
Trous dans le sol pour air extérieur.  
Ø100mm de raccords  
Jøtul F 371, F 374, F 375, F 376, F 377, F 379

Trous dans le sol pour air extérieur.  
Ø100mm de raccords  
Jøtul F 373

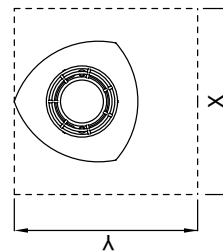
Jøtul F 377:



Jøtul F 370 C:

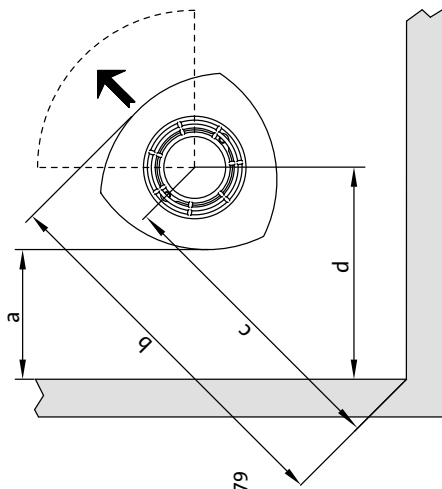


Dimensions minimales de la plaque de sol  
X/Y = Conformes aux lois et règlements en vigueur.

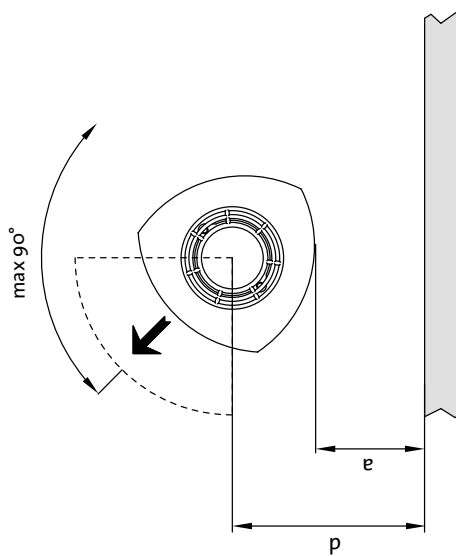
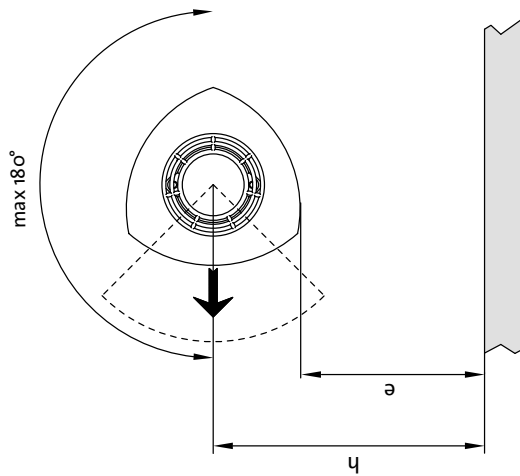


Distance minimale par rapport au mur en matériau combustible

Mur en matériau combustible



Distance par rapport à la paroi en matériau combustible avec piétement rotatif



## Jøtul F 370

Distance minimale par rapport au mur en matériau combustible protégé pare un pare-feu, fig. 1b

Configuration	a	b	c	d	e	f	g	h	i	j	k	l	m	n	o	p	q	r	s	t
Modèle de base	100	643	438	310	200	492	287	421	40	550	480	440	735	799	773	934	999	962	756	1156
Avec habillage verre de côté	100	643	438	310	200	492	287	421	40	550	380	340	735	669	659	934	884	841	556	930
Jøtul F372, F 375, F 376, F 379 L'arrivée d'air frais - par un mur	100	643	438	310	200	552	347	421	100	550	-	-	795	-	-	994	-	-	-	-
Jøtul F 370 C (appareil avec kit de convection, vitre et tuyau isolé)	100	671	466	330	200	524	319	441	50	550	400	200	888	-	807	956	-	897	-	-
Jøtul F 377 (appareil avec dessus et côtés en pierre ollaire)	100	703	498	354	200	539	334	447	50	550	400	250	892	-	885	961	-	960	-	-

Fig. 1C

Distance minimum au mur pour les Jøtul F 375, Jøtul F 376 et Jøtul F 379 avec une arrivée d'air de combustion par le mur:

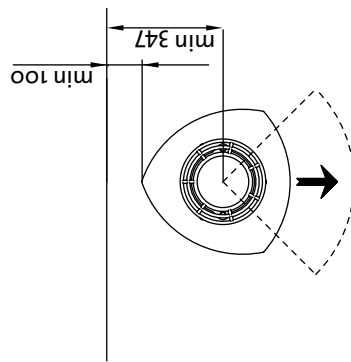
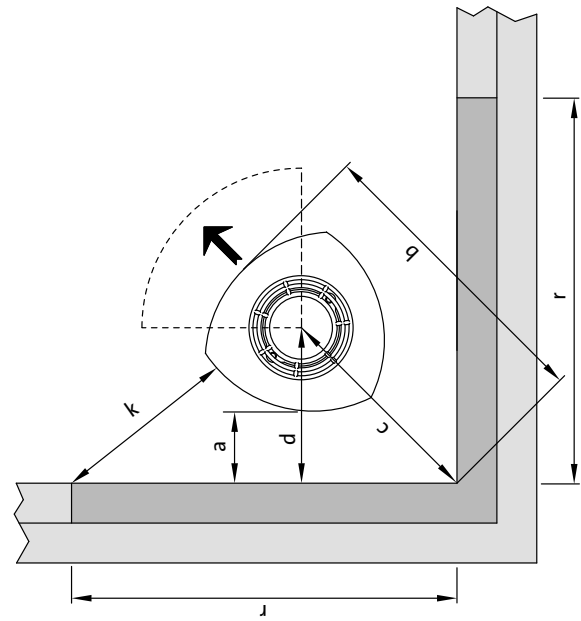
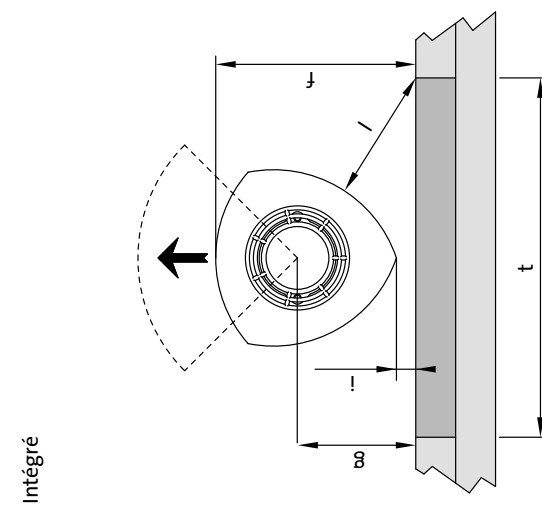
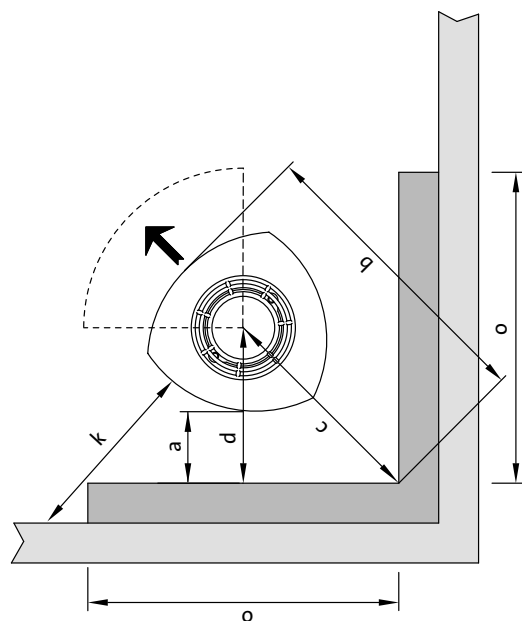
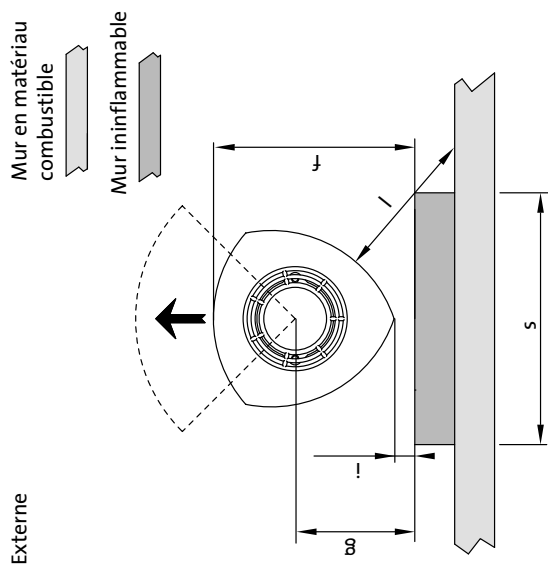


Fig.1b

Jøtul F 371/ F 373/ F 374/ F375/ F 376/ F377/ F 379/ F370 C

Distance minimale par rapport au mur en matériau combustible protégé par un pare-feu



4-4633-P11

# FRANCAIS

## 3.1 Le sol

### Assis

Il convient de s'assurer que le socle présente des dimensions adaptées au poêle. Voir «**2.0 Données techniques**» pour les normes de poids. Il est recommandé d'enlever le revêtement de sol si celui-ci n'est pas fixé (parquet flottant) pendant l'installation.

### Protection d'un sol en bois

Une protection du sol est intégrée à l'appareil et celui-ci peut dès lors être posé directement sur un plancher. **Tout revêtement de sol combustible (linoléum, moquette, etc.) doit être retiré de la surface couverte par la plaque de sol.**

### Exigences relatives à la protection d'un revêtement de sol combustible à l'avant du poêle

La plaque avant doit être conforme aux législations et aux réglementations nationales en vigueur.

*Contactez les autorités locales compétentes (construction) pour connaître les restrictions et les exigences liées à l'installation.*

## 3.2 Les murs

### Distance recommandée séparant le poêle d'un matériau combustible

L'utilisation d'un poêle avec un conduit non isolé est autorisée, à condition que les distances séparant le poêle des matériaux combustibles du mur soient conformes à celles de la **fig. 1**.

## 3.3 Le plafond

Un espace d'au minimum **1 000 mm** doit être respecté entre le poêle et un plafond combustible.

## 4.0 Installation

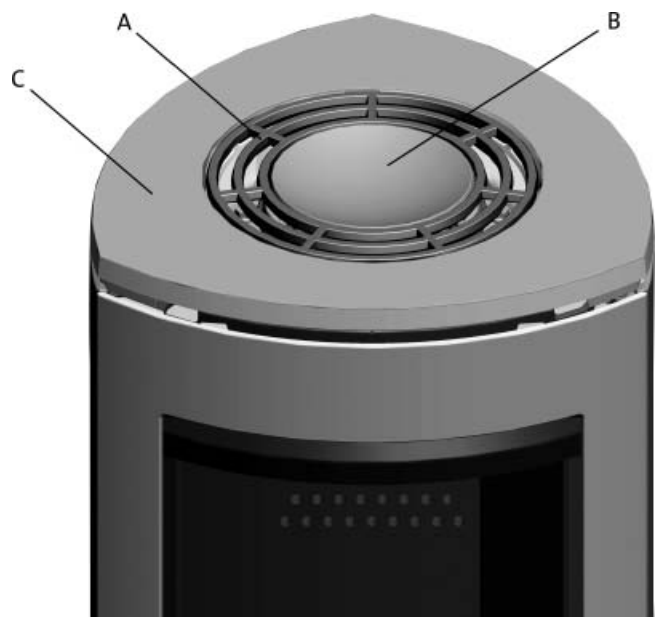
Avant de commencer l'installation, s'assurer que le poêle n'a pas été endommagé au cours du transport.

**Attention : l'appareil est lourd ! Plusieurs personnes sont requises pour le redresser et le positionner.**

### 4.1 Avant l'installation

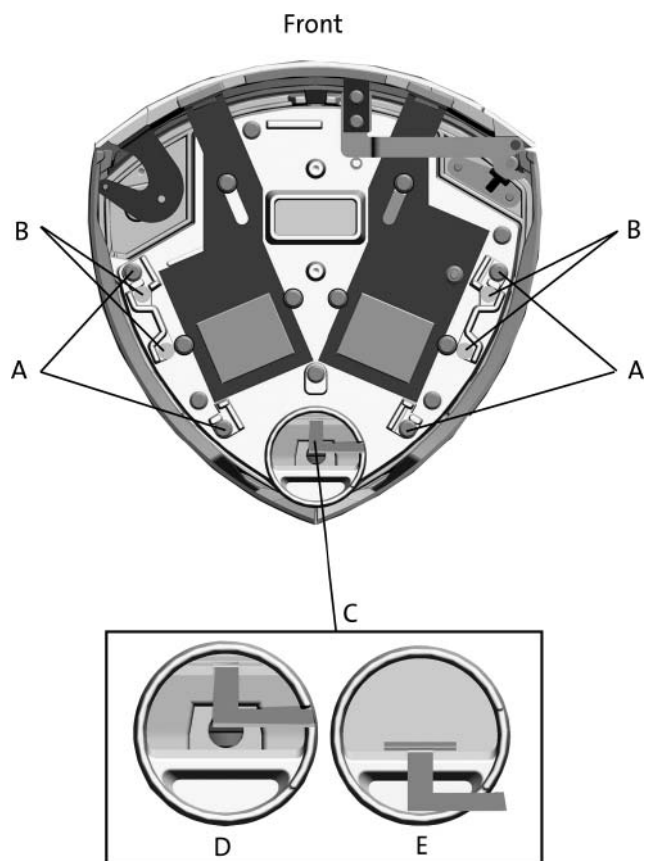
1. Le produit standard est livré dans deux unités d'emballage. L'un contient le poêle lui-même proprement dite, l'autre la base optionnelle en fonte, en béton, en verre ou le piédestal en fonte.
2. Une fois le produit déballé, sortez les plaques de doublage, le déflecteur, le déflecteur supérieur, la plaque de source, le cendrier et la grille. Enlevez également les petites plaques foyères latérales et le joint de la buse qui sont dans le cendrier.

Fig. 3



3. Soulevez le couvercle, ainsi que la grille supérieure (**fig. 3 A**) et la cuve (**fig. 3 B**).
4. Assurez-vous que les poignées de manœuvre fonctionnent (**fig. 29 A, B et C**).
5. Si vous utilisez la buse arrière, percez d'abord des trous (**fig. 5 A**) dans les couvercles amovibles pour le passage de la buse avant de les retirer.
6. Positionnez la cale de bois qui maintient le déflecteur d'éjection de telle sorte que les plateaux latéraux soient soutenus lors du retrait des couvercles (**fig. 5 B**).
7. Dépliez le carton d'emballage sur le sol. Couchez soigneusement le poêle sur le côté.

Fig. 4



8. Pour un modèle avec décor en verre (en option), les 4 vis à tête à empreinte du fond sont enlevées (fig. 4 B) à l'aide de la clé fournie dans le set décor verre.

## 4.2 Montage

### Jøtul F 371 - La base en fonte

N.B. : pour connecter le conduit flexible par un trou dans le sol, n'enlevez pas les caches amovibles.

Fig. 5



1. Si le flexible de  $\varnothing$  100 mm qui alimente en air extérieur doit être raccordé à l'entrée d'air externe (fig. 4 C) sous- la chambre de combustion, percez d'abord un trou (fig. 5 C) dans les couvercles amovibles avant de les retirer. **Remarque: veillez à ce que la plaque arrière de la base (fig. 6 A) soit en position lorsque vous retirez les couvercles.**

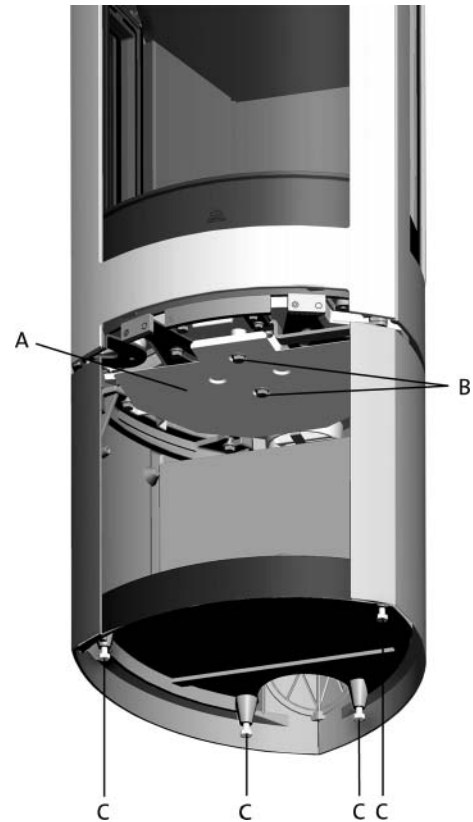
# FRANCAIS

Fig. 6



2. Enlevez la claie et la plaque arrière de la base (**fig. 6 A**). Assurez-vous que la poignée est en position avant dans l'entrée d'air extérieur (**fig. 4 D**).
3. Assemblez la base avec la chambre de combustion à l'aide des 4 vis (M8x30 mm) prises dans le sachet (**fig. 4 A**).
4. Plusieurs personnes sont requises pour redresser le poêle en toute sécurité.

Fig. 7



5. Ajustez l'appareil à l'aide des 4 vis de réglage (**voir fig. 7 C**).
6. Introduisez le conduit flexible dans le trou et fixez-le à la buse à l'aide d'un collier de serrage. **N.B.** : assurez-vous que le conduit flexible est assez long pour éviter l'utilisation de joints.
7. La surface de la base doit être protégée du rayonnement calorifique de l'appareil grâce au bouclier thermique (**fig. 7 A**) l'accompagne. Fixez-le avec 2 vis, comme indiqué à la **fig. 7 B**.
8. Remontez la claie et la plaque arrière sur la base.

## Jøtul F 373 - Le piédestal

**Important ! Le mécanisme de rotation doit être assemblé avant la fixation du piédestal au poêle. Voir les consignes de montage jointes au mécanisme de rotation.**

Fig. 11



1. Ajustez l'appareil à l'aide des 3 vis de réglage (fig. 11 A).
2. Assemblez le piédestal au poêle avec les quatre vis préalablement retirées (fig. 4 A).
3. Pour obtenir un apport en air extérieur par l'entrée d'air extérieure, fixez le conduit flexible de 100 mm de diamètre à l'entrée d'air de l'appareil (fig. 4 C).
4. Poussez la poignée en position avant dans l'entrée d'air extérieur (fig. 4 D).
5. Fixez le conduit à l'entrée d'air extérieur à l'aide d'un collier de serrage. **N.B.** : assurez-vous que le conduit flexible est assez long pour éviter l'utilisation de joints.
6. Si l'air extérieur doit arriver par le sol, placez le joint annulaire en mousse noire (fig. 11 B) sous la colonne autour du trou. Tirez sur le flexible à travers le joint en dessous de la colonne qui est étanche. **A noter! Le trou est au centre du piédestal.**
7. Poussez la poignée en position arrière dans l'entrée d'air extérieur (fig. 4 E).
8. Plusieurs personnes sont requises pour redresser le poêle en toute sécurité et placez-le directement au-dessus de l'alimentation en air extérieur.

**Important ! Vérifiez que la poignée dans l'entrée d'air extérieur est bien en position avant si l'air extérieur n'est pas destinée à passer par le piédestal.**

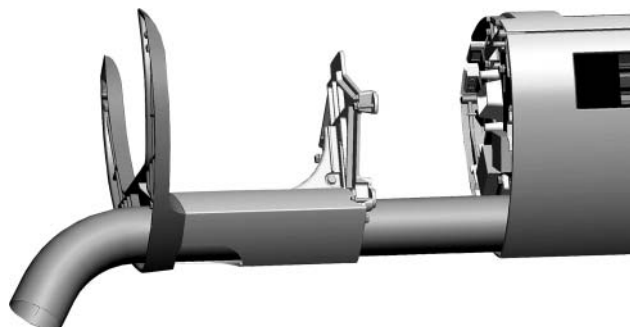
## Jøtul F 374 - pied en fonte

Si l'on utilise une admission d'air via un conduit d'arrivée d'air extérieur, raccordez un tuyau flexible, de 100 mm de  $\varnothing$ , à l'orifice d'entrée d'air (fig. 4 C) de l'appareil.

### Installation avec une admission d'air extérieur

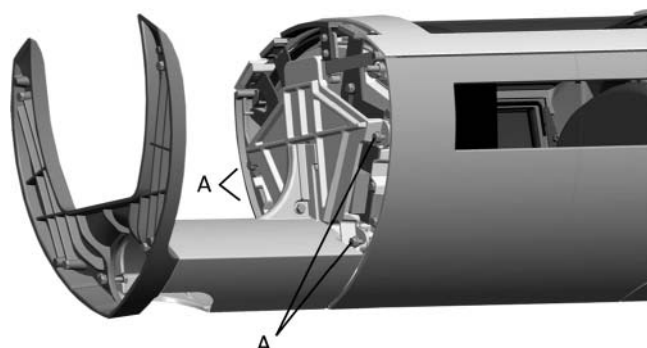
1. Poussez le clapet de l'admission d'air extérieur dans sa position avant (fig. 4 D).
2. Fixez le tuyau à l'admission d'air extérieur à l'aide d'un collier de serrage. **N.B.** : Assurez-vous que le tuyau est suffisamment long pour éviter l'utilisation de raccords.

Fig. 12



3. Déplacez la base en fonte vers la chambre de combustion tout en passant le conduit d'air à travers celle-ci et, si nécessaire, à travers l'orifice sur la partie arrière (fig. 12).

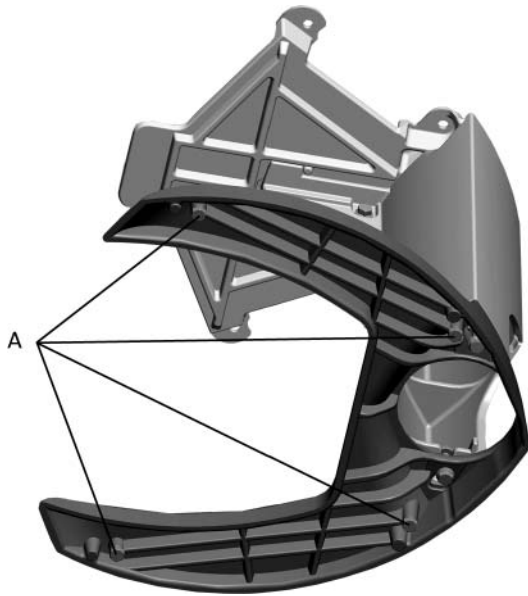
Fig. 13



4. Fixez la base à la chambre de combustion à l'aide des 4 vis (M8 x 30 mm) fournies dans le sachet (fig. 13 A).
5. Faites-vous aider d'une personne pour redresser le poêle et le positionner correctement au-dessus de l'admission d'air extérieur.

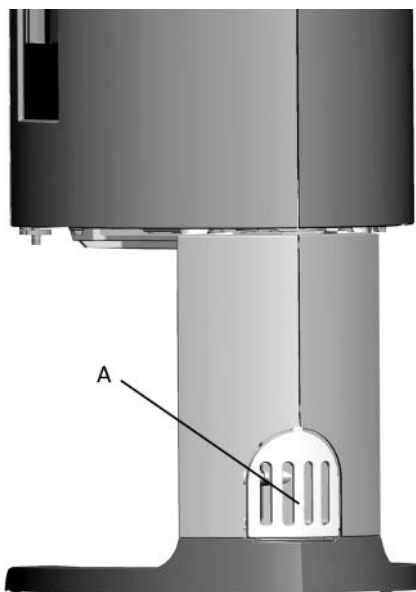
# FRANCAIS

Fig. 14



6. Ajustez si besoin la hauteur du produit à l'aide des vis de réglage situées sous la base (fig. 14 A).

Fig. 15



7. Remettez le couvercle de l'admission d'air extérieur en place (fig. 15 A).

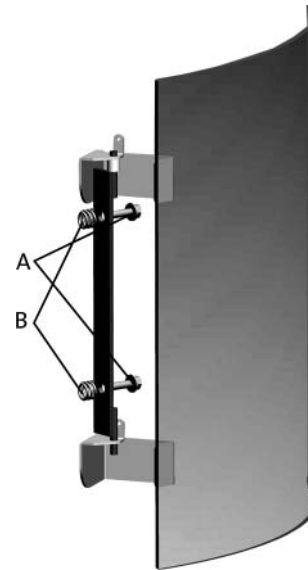
## Installation sans admission directe d'air extérieur

1. Fixez la base à la chambre de combustion à l'aide des 4 vis (M8 x 30 mm) fournies dans le sachet (fig. 13 A).
2. Faites-vous aider d'une personne pour redresser le poêle et le positionner correctement au-dessus de l'admission d'air extérieur.
3. Ajustez si besoin la hauteur du produit à l'aide des vis de réglage situées sous la base (fig. 14 A).
4. Remettez le couvercle en place (fig. 15 A).

## Jøtul F 375 - Base en fonte avec porte vitrée

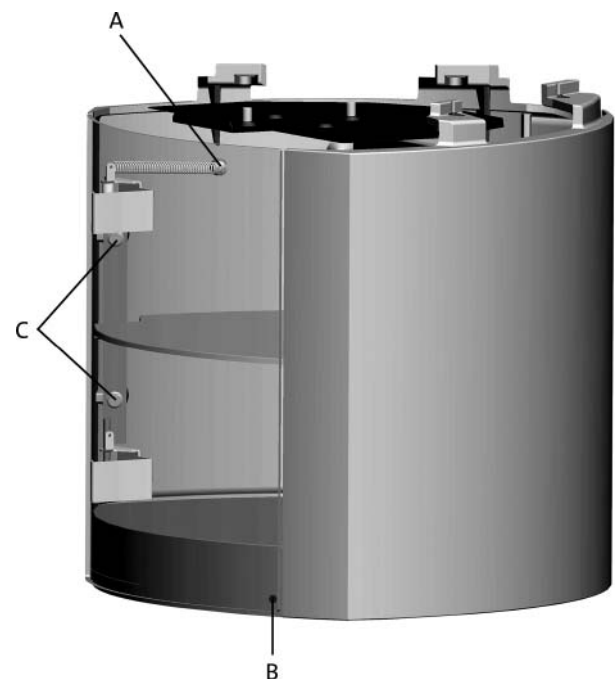
1. Assemblez la base en fonte comme décrit au point du Jøtul F 371 : base en fonte.

Fig. 16



2. Fixez la charnière de la porte vitrée à la base en fonte au moyen des vis M6 x 20 mm fournies dans le sachet de vis pour la porte (fig. 16 A).
3. Insérez le ressort entre les trous filetés et la charnière avant de serrer les vis (fig. 16 B).

Fig. 17



4. Vissez fermement en place l'autre extrémité du ressort (fig. 17 A).
5. Fixez l'amortisseur de porte sur l'intérieur de la porte vitrée dans l'angle inférieur droit (fig. 17 B).

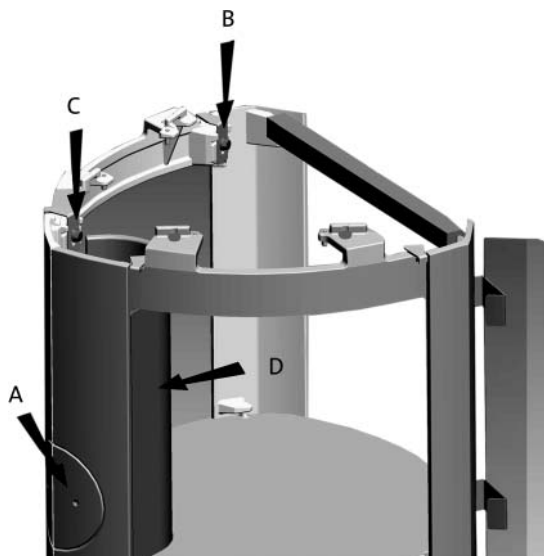
**N.B :** Veillez à ménager un interstice régulier entre la porte et la base afin que la porte soit suspendue bien verticalement. Ajustez la porte si nécessaire en serrant ou desserrant les deux vis (fig. 17 C).



## Jøtul F 376 – Base en verre

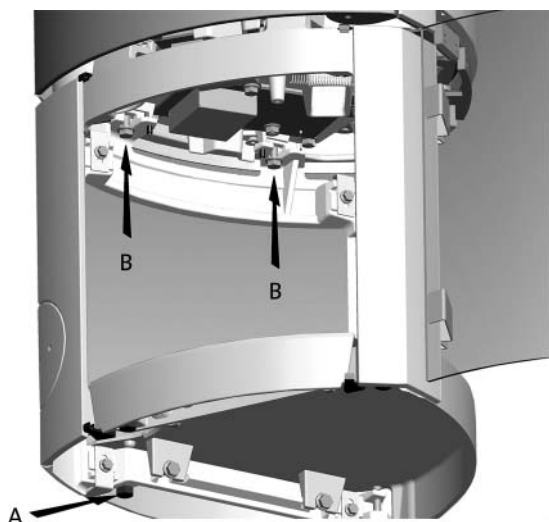
**N.B :** Si vous choisissez de faire passer le conduit flexible à travers le plancher, ne retirez pas les caches amovibles (Fig. 18 A).

Fig. 18



1. Desserrez les vis qui maintiennent les clips supérieurs de la vitre des deux côtés (Fig. 18 B et C). Vérifiez que le clapet de l'admission d'air extérieur est dans sa position avant (Fig. 4 D).
2. Si vous raccordez le conduit flexible ( $\varnothing$  100 mm) pour l'arrivée d'air frais extérieur à un clapet/sortie d'admission d'air extérieur (Fig. 4 C) sous la chambre de combustion, percez d'abord un trou (Fig. 18 A) dans les caches amovibles avant de les retirer.  
**N.B :** Veillez à ce que la plaque arrière de la base (Fig. 18 D) soit en position, lorsque vous retirez les caches amovibles.
3. Retirez la plaque arrière (Fig. 18 D) de la base.

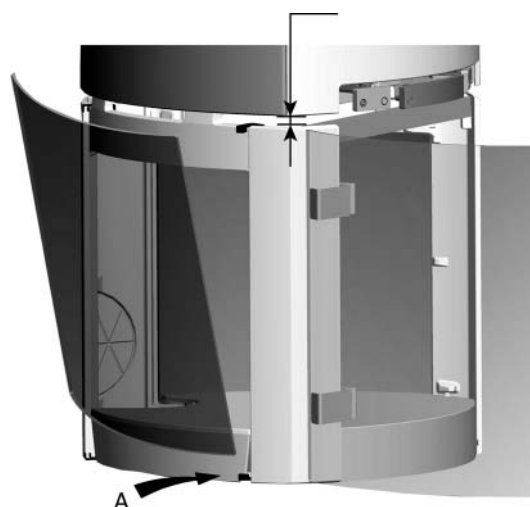
Fig. 19



4. Placez la base dans la position correcte sur la plaque de sol (si installée). Ajustez la hauteur du produit à l'aide des vis de réglage (fig. 19 A).
5. Assemblez la base avec la chambre de combustion à l'aide des 4 vis (M8 x 30 mm) fournies dans le sachet (fig. 19 B).
6. Faites-vous aider d'une personne pour redresser le poêle en toute sécurité.

7. Ajustez la porte en verre, si nécessaire, avec les vis (Fig. 17 C). Veillez à ménager un interstice régulier entre la porte et la base afin que la porte soit suspendue bien verticalement.

Fig. 20



8. Montez les vitres latérales en les positionnant dans les clips inférieurs (Fig. 20 A). Soulevez les clips supérieurs et enfoncez-les sur les vitres latérales. Assurez-vous qu'il y a un interstice régulier entre les vitres latérales et la plaque latérale devant et derrière. Serrez la vis frontale de la vitre latérale (Fig. 18 B). Desserrez la vis arrière (Fig. 18 C) juste assez pour permettre au clip de se soulever sans retirer la vis (ceci facilite le remplacement de la vitre à l'avenir).
9. Introduisez le conduit flexible (si installé) dans le trou sur le sol ou à l'arrière de la base (Fig. 18 A) et fixez-le à la buse à l'aide d'un collier de serrage.  
**N.B :** Assurez-vous que le conduit flexible est suffisamment long pour éviter l'utilisation de joints.
10. Remontez la plaque arrière (Fig. 18 D).
11. La surface de la base doit être protégée du rayonnement calorifique de l'appareil grâce au bouclier thermique (fig. 7 A) l'accompagne. Fixez-le avec 2 vis, comme indiqué à la fig. 7 B.

## Jøtul F 377 – avec pierre ollaire

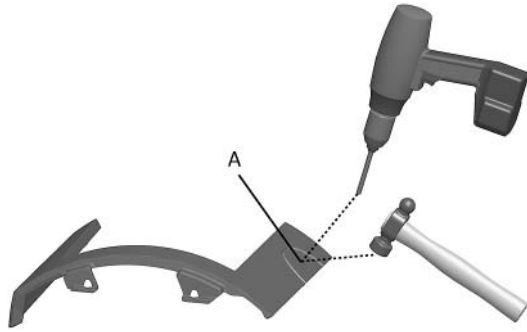
Voir manuel d'installation spécial (réf. cat. 10043560).

# FRANCAIS

## Jøtul F 379 – avec trois pieds

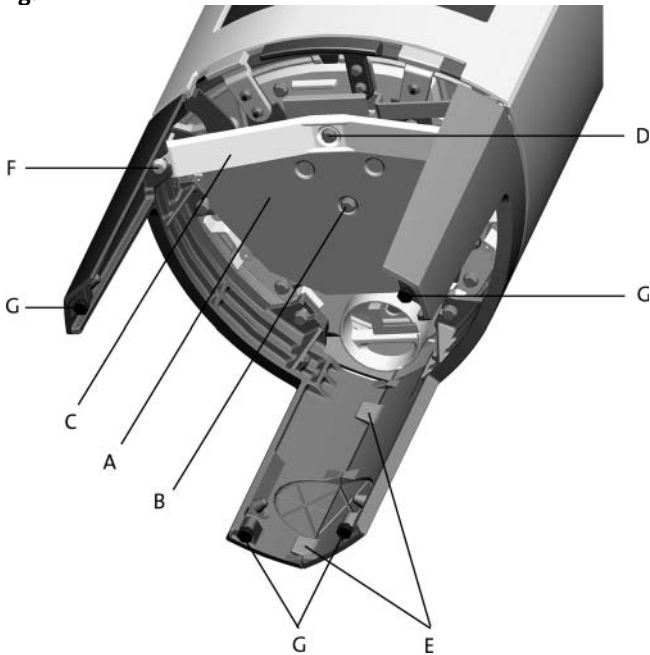
Remarque : Si vous choisissez de faire passer le conduit flexible à travers le plancher, ne retirez pas les caches amovibles (fig. 21 A).

Fig. 21



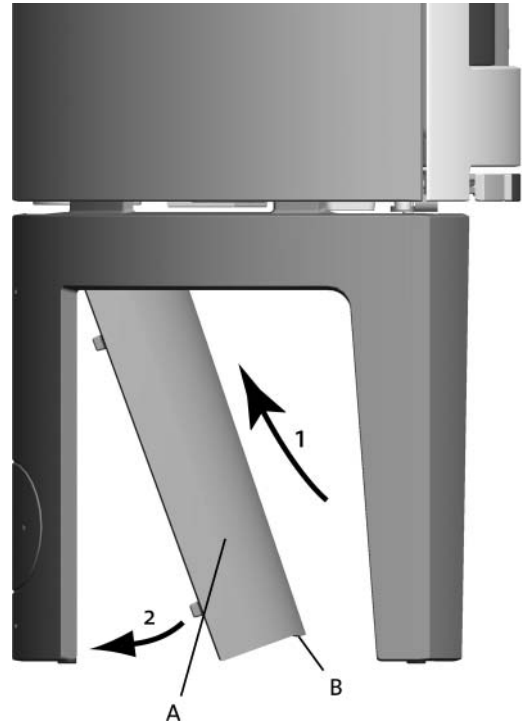
1. Si vous raccordez le conduit flexible ( $\varnothing 100$  mm) pour l'arrivée d'air frais extérieur à un clapet d'admission d'air extérieur (Fig. 4 C) sous la chambre de combustion, percez d'abord un trou (Fig. 21 A) dans les caches amovibles avant de les retirer. Remarque : Placez les éléments sur une surface appropriée avant de retirer les caches amovibles.

Fig. 22



2. La surface de la base doit être protégée du rayonnement calorifique de l'appareil par le bouclier thermique fourni (Fig. 22 A). Commencez par fixer ce dernier avec une vis (Fig. 22 B).
3. Fixez sans serrer le bras de renforcement (Fig. 22 C) en place avec une vis (Fig. 22 D).
4. Assemblez la base avec la chambre de combustion à l'aide des 4 vis (M8 x 30 mm) fournies dans le sachet (Fig. 4 A).
5. Fixez les pieds sur le bord arrière à l'aide de 2 vis placées dans les trous de vis (Fig. 22 E).
6. Fixez sans serrer le bras de renforcement (Fig. 22 C) en place avec une vis (Fig. 22 F) et un écrou aux deux extrémités.
7. Faites-vous aider d'une personne pour redresser le poêle.
8. Ajustez le produit à l'aide des vis de réglage (Fig. 22 G).
9. Si les pieds ne sont pas correctement alignés, desserrez les vis (Fig. 22 F) de chaque côté. Réglez les pieds et serrez les vis de nouveau.
10. Serrez la vis (Fig. 22 D).
11. Introduisez le conduit flexible dans le trou et fixez-le à la buse à l'aide d'un collier de serrage. Remarque : Assurez-vous que le tuyau est suffisamment long pour éviter l'utilisation de raccords.

Fig. 23



12. Positionnez le capot (Fig. 23 A). Assurez-vous que la patte (débordement) B est orientée vers le bas.

## 4.3 Cheminées et conduits

- Le poêle peut être relié à une cheminée et à un conduit approuvés pour les poêles à combustible solide, avec les températures de fumées spécifiées dans la section « 2.0 Données techniques ».
  - La section minimale de la cheminée doit correspondre à celle du conduit. Pour calculer la section adéquate de la cheminée, voir la section « 2.0 Données techniques ».
  - Plusieurs poêles à combustible solide peuvent être raccordés à la même cheminée si la section de la cheminée le permet.
  - Le raccordement à la cheminée doit être réalisé conformément aux D.T.U. 24.1 ; ainsi qu'aux instructions d'installation du fournisseur de la cheminée.
  - Procéder à un montage d'essai du poêle avant de percer un trou dans la cheminée. Voir fig. 1 pour les cotes.
  - Raccordement arrière : veiller à ce que le conduit de raccordement soit incliné vers le haut.
  - Utiliser un coude de conduit doté d'une trappe ou un té ou siphon afin de permettre les opérations de ramonage.
- Veiller à ce que les raccordements soient souples afin d'empêcher toute fissure lors de l'installation.

**Tirage recommandé; Voir également les sections « 2.0 Données techniques ». En cas de tirage trop important, utiliser un clapet ou un modérateur de tirage.**

## Montage du conduit sur la sortie supérieure

Le poêle est livré avec la sortie par le haut.

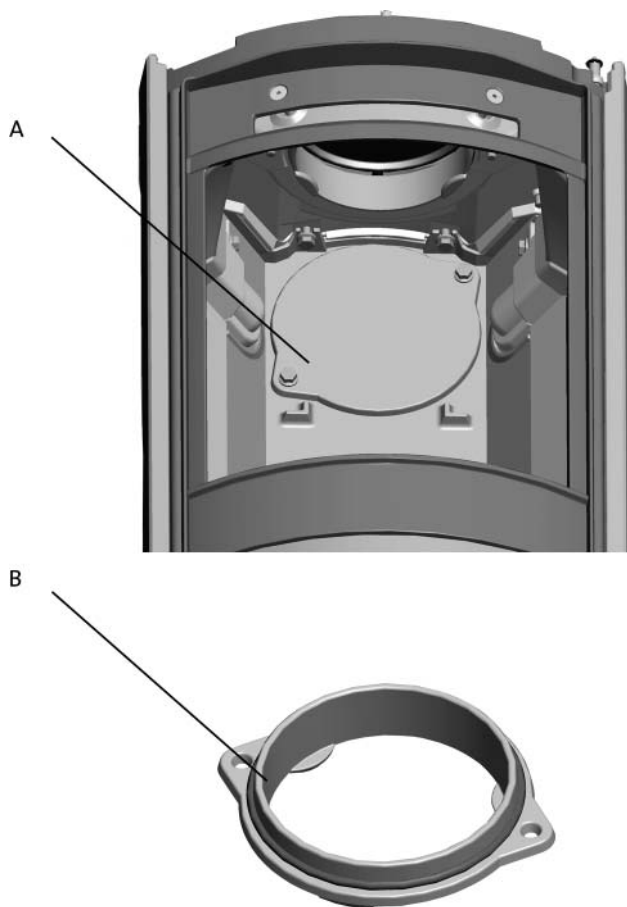
1. Placez le couvercle (fig. 3 C) sur l'appareil.
2. Pour la FRANCE: mettre l'adaptateur en place sur la buse ; étancher-le avec du joint corde ou du mastic réfractaire.
3. Faites passer le conduit à travers le crible du couvercle et placez-le sur le conduit d'évacuation de la fumée de la sortie supérieure.
4. Mettre les tuyaux en place après avoir collé le joint.

## Montage du conduit sur la sortie arrière

Le poêle est livré avec la sortie par le haut. Pour un montage sur l'arrière, procédez comme suit :

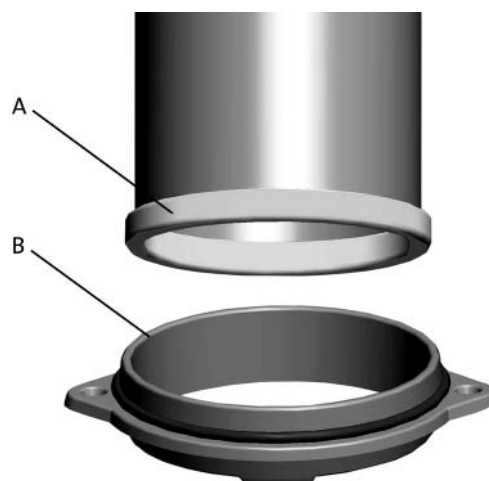
1. Placez le produit dans la position adéquate (voir **fig. 1**).

Fig. 24



2. Démontez la buse (**fig. 24 B**).
3. Dévissez le cache sortie de fumées à l'arrière de l'intérieur de la chambre de combustion (**fig. 24 A**) puis placez-le dessus à la place de la buse.

Fig. 25



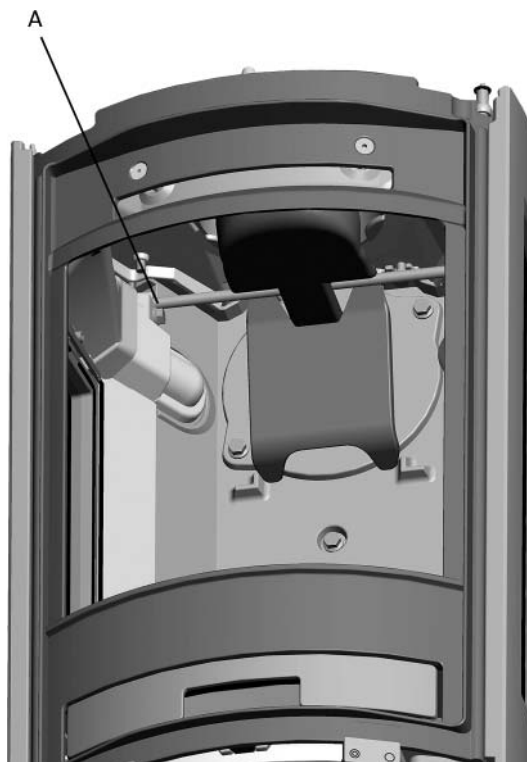
4. Fixez la buse à l'arrière EN PASSANT PAR L'INTERIEUR (attention au joint qui est à l'inverse de l'habitude).
5. Placez le joint à l'extrémité du premier tuyau.
6. Mettre le tuyau dans la buse.

**N.B. :** Si la longueur du tuyau est supérieure à 350 mm, il doit être installé à l'intérieur de la buse de fumées depuis l'extérieur.

**N.B. :** les joints doivent être parfaitement étanches. Toute fuite d'air peut entraîner des dysfonctionnements.

## 4.4 Montage de l'appareil

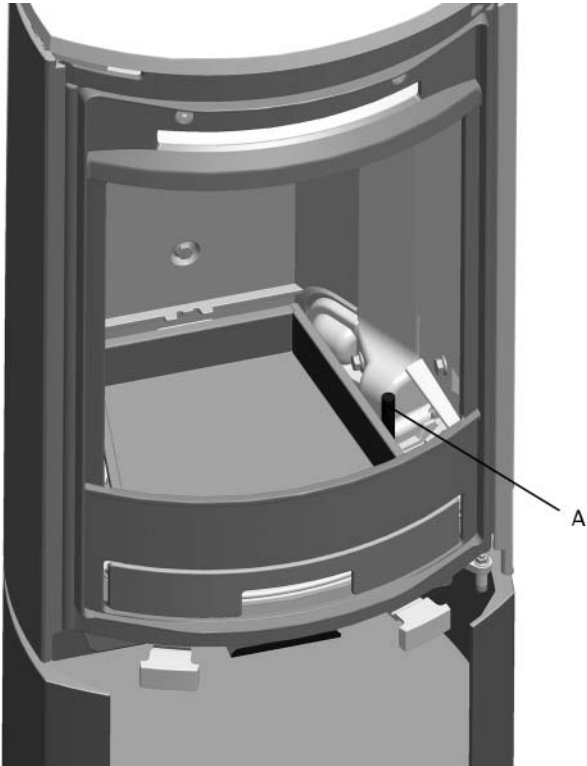
Fig. 26



1. Placez le déflecteur avec la barre dans la rainure sur les nervures (**fig. 26 A**).
2. Remettez la plaque de source en place, sur la plaque de source.

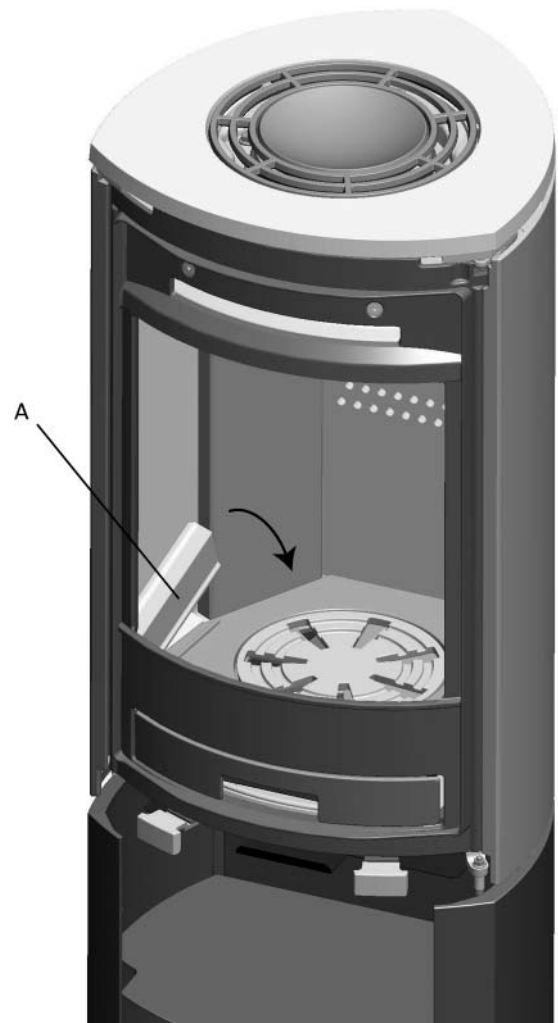
# FRANCAIS

Fig. 27



3. Vérifiez que l'encoche de la grille est bien engagée sur la barre de commande de grille, à droite (**fig. 27 A**). Remettez le cendrier a.
4. Placez la plaque de doublage arrière dans la rainure arrière de la plaque de source.
5. Placez les plaques de doublage latérales dans les rainures de chaque côté de la plaque de source. Rentrez le déflecteur de façon qu'il repose sur les plaques de doublage arrière et latérales.
6. Maintenez le déflecteur pendant le montage de l'autre plaque de doublage latérale.
7. Laissez le déflecteur reposer sur les plaques de doublage.

Fig. 28



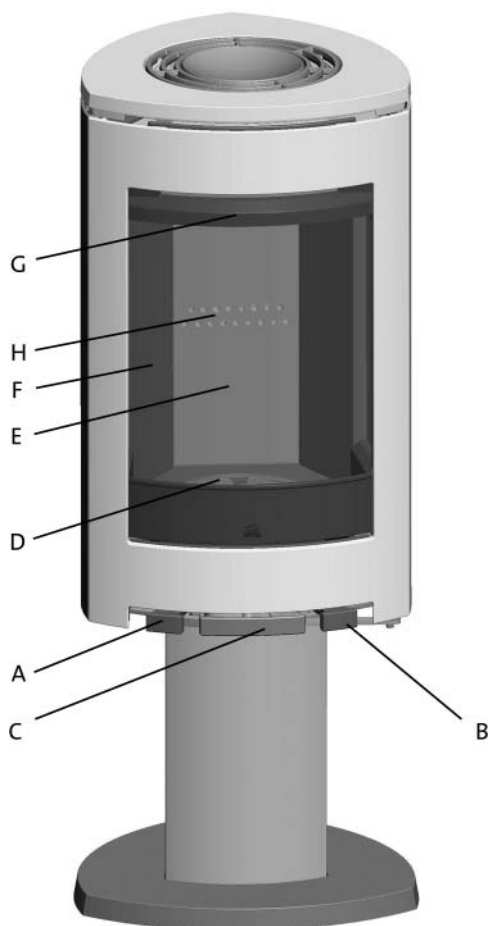
8. Placez les petites plaques foyères (**fig. 28 A**) dans la rainure de la plaque de source sous les vitres latérales.
9. Repositionnez le couvercle avec la grille supérieure et la cuve.
10. Placer la plaque d'informations techniques qui se trouve dans le cendrier sous l'appareil.

## 4.5 Contrôle des fonctions

Une fois le poêle installé, toujours vérifier les commandes. Elles doivent pouvoir être actionnées facilement et fonctionner correctement.

Le poêle Jøtul F 370 Series est équipé des commandes suivantes :

Fig. 29



### Entrée d'air supérieure, fig. 29 A

Poussée = fermée  
Tirée = ouverte

### Entrée d'air inférieure, fig. 29 B

Poussée = fermée  
Tirée = ouverte

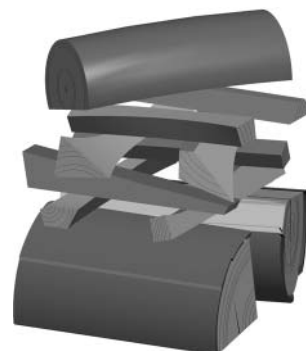
### Grille de décendrage (même poignée que pour l'entrée d'air inférieure) (fig. 29 B)

Poignée droite poussée et tirée.

Tirez sur la poignée fig. 29 C :  
pour ouvrir la porte.

## Allumage

- Ouvrir l'entrée d'air supérieure et l'entrée d'air inférieure en les tirant complètement. Conseil pratique : laissez toujours fermée l'entrée d'air inférieure à droite et favorisez l'allumage du feu en laissant la porte entrouverte (fig. 29 A et B). Si nécessaire, laissez la porte entrebâillée. (Utiliser des gants car la poignée risque d'être chaude).
  - Placer deux bûches de taille moyenne à l'entrée et au fond de la plaque de source. **N.B.** : pour éviter que de la suie ne se dépose sur le verre, veillez à ce que les bûches ne touchent pas le verre lorsqu'elles sont placées dans l'appareil (fig. 30).
  - Froissez quelques feuilles de papier journal, jamais de papier glacé (ou utilisez de l'écorce de bouleau) entre ces deux bûches, entrecroisez du bois d'allumage sur ce papier, puis mettez-y le feu.
  - Augmentez graduellement la taille du feu sans que le bois ne s'empile au-delà des orifices horizontaux de la plaque foyère. Voir fig. 29 H.
- Remarque : La hauteur maximale de la pile de bois ne doit pas dépasser la ligne de trous horizontale. Ne pas recouvrir les trous.**
- Fermer l'entrée d'air inférieure une fois que le feu a pris. ATTENTION ! Ne pas fonctionner avec l'entrée d'air inférieure ouverte, cela risque d'endommager la sole foyère.
  - Veiller à ce que la postcombustion s'amorce (présence de flammes jaunes et oscillantes sous le déflecteur).
  - Régler ensuite la vitesse de combustion sur la capacité de chauffage souhaitée en ajustant l'entrée d'air supérieure (fig. 29 A).



## Ajouter du bois

Alimentez le poêle régulièrement mais n'ajoutez que de petites quantités de combustible à la fois. Si la combustion est trop vive, la contrainte thermique dans la cheminée risque de devenir excessive. Faites preuve de modération. Évitez les feux couvants car ils sont les plus polluants. Le feu est parfait lorsque le bois brûle bien et que la fumée qui sort de la cheminée est pratiquement invisible.

## 4.7 Risque de surchauffe

### Ne surchauffez jamais le poêle

La surchauffe est provoquée par un excès de combustible et/ou d'air qui donne lieu à un dégagement de chaleur trop important. Lorsque le poêle devient incandescent par endroits, c'est un signe incontestable de surchauffe. Si le cas se produit, réduisez immédiatement l'apport d'air frais. En cas de surchauffe, la garantie ne pourrait pas être assurée.

Si vous pensez que la cheminée tire mal (tirage excessif ou insuffisant), contactez un spécialiste. Pour plus de détails, reportez-vous à «4.0 Installation » (Cheminée et conduit d'évacuation).

# FRANCAIS

## 4.8 Retrait des cendres

Le poêle Jøtul F 370 est équipé d'un cendrier qui facilite l'élimination des cendres.

1. Enlevez les cendres uniquement lorsque le poêle est froid.
2. Nous vous recommandons de toujours laisser deux à trois centimètres de cendres au fond de votre appareil.
3. La cendre va protéger le fond, conserver les braises et favoriser le redémarrage du feu au rechargement en bois après quelques heures de feu ralenti.

## 5.0 Utilisation au quotidien

### Odeurs perceptibles lors de la première utilisation du poêle

Lors de la première utilisation, le poêle peut émettre un gaz irritant et dégager des odeurs désagréables. Ceci se produit lorsque la peinture sèche. Ce gaz n'est pas toxique, mais il est recommandé de bien aérer la pièce. Maintenir une température élevée dans le poêle jusqu'à qu'aucun gaz, fumée ou odeur ne puisse être détecté.

Laisser la porte ouverte pendant les premières minutes pour faire sécher la peinture et éviter le décolllement du joint de porte.

### 5.1 Utilisation

#### Conseils de chauffage

**Remarque :** Il est recommandé d'entrer les bûches qui ont été stockées à l'extérieur ou dans une pièce froide 24 heures avant de les brûler afin de les amener à température ambiante.

Il existe différentes manières de chauffer le poêle, mais soyez toujours attentif à ce que vous y mettez. Voir le chapitre intitulé « **La qualité du bois** ».

#### La qualité du bois

Par bois de qualité, nous entendons les essences les plus courantes telles que bouleau, épicéa et pin ou hêtre, chêne, érable. Suivant les pays.

**Les bûches doivent sécher afin que leur teneur en eau ne dépasse pas 20 %.**

Pour cela, il convient de couper le bois à la fin de l'hiver. Fendez-les et empilez-les pour permettre à l'air de bien circuler. Recouvrez les piles afin de protéger les bûches de la pluie. Entrez les bûches dans la maison au début de l'automne en vue de leur utilisation pendant l'hiver qui suit.

**Soyez particulièrement attentif à ne jamais brûler les matériaux suivants dans le poêle :**

- Les déchets ménagers, les sacs en plastique, etc.
- Le bois peint ou imprégné (très toxique).
- Le bois contreplaqué
- Le bois qui est resté dans l'eau
- Les chutes de menuiserie dont le bois est trop sec.
- Le bois de récupération de chantier

*Ceux-ci risquent d'endommager l'appareil et ce sont aussi des polluants.*

Si vous utilisez des bûches de bois compressé, réduisez la quantité de moitié par rapport au bois en bûches.

**Remarque :** N'employez jamais de l'essence, de la paraffine, de l'alcool (méthylique) ou tout liquide similaire pour allumer le feu. Vous risqueriez de vous blesser sérieusement et d'endommager l'appareil.

### Le bois

Le poêle Jøtul F 370 Series délivre une puissance thermique nominale de **5,5 kW**. Utilisation de bois avec puissance thermique nominale: env. **1,9 kg/h**. L'efficacité de la combustion du bois dépend également d'un autre facteur tout aussi important:

**Pour le bois d'allumage :**

*Longueur : 30 cm*

*Diamètre : 2-5 cm*

*Quantité par flambée : 6-8 bûches*

**Pour le bois de chauffage (fendu) :**

*Longueur : ca 20 - 30 cm*

*Diamètre : env. 8 cm*

*Fréquence d'approvisionnement en bois : env. 45 min.*

*Taille du feu : 1,4 kg*

*Nombre de bûches à chaque réapprovisionnement : 2*

**La puissance thermique nominale est atteinte avec une ouverture de 100 % (fig. 29 A) et la poignée de l'entrée d'air inférieure tirée d'environ 1-2 cm (fig. 29 B).**

## 6.0 Entretien

### 6.1 Nettoyage de la vitre

Le produit est équipé d'un système d'entrée d'air par le haut. L'air est aspiré au-dessus du foyer et circule le long de la vitre.

L'accumulation de suie sur la vitre est toutefois inévitable, la quantité de dépôts dépendant du taux d'humidité du combustible, des conditions de tirage et du réglage de l'entrée d'air supérieure. Une grande partie de cette suie est normalement consommée lorsque l'entrée d'air est ouverte à son maximum et en présence d'un feu vif dans le foyer.

**Un bon conseil !** Pour les opérations courantes de nettoyage, humidifier un essuie-tout ou du papier journal à l'eau chaude et l'imprégner de quelques cendres prélevées dans la chambre de combustion. Frotter la vitre avec ce papier puis rincer à l'eau claire et essuyer. Pour un nettoyage optimal, il est recommandé d'utiliser un nettoyant à vitres. Ne jamais projeter le produit directement sur la vitre : il risque de détériorer les fixations de la vitre et le joint, ce qui peut entraîner la cassure de la vitre.

### 6.2 Nettoyage et élimination des dépôts de suie

Pendant l'utilisation, de la suie peut se déposer sur les surfaces internes du foyer. La suie est un bon isolant. Elle réduit donc la puissance thermique du foyer. Utiliser une brosse métallique pour retirer tout dépôt de suie dans le produit, sauf sur les plaques en vermiculite !

Laisser brûler vivement afin d'éviter tout dépôt de goudron et d'eau dans le foyer.

Un nettoyage annuel de l'intérieur du foyer est requis pour optimiser le rendement du produit. Cette opération peut être réalisée lors du ramonage des conduits et de la cheminée.

### 6.3 Ramonage des conduits d'évacuation vers la cheminée

Sur certains foyers autonomes, il est possible de soulever le couvercle et de ramoner le conduit par le haut.

Sinon, le ramonage des conduits doit s'effectuer à partir de la trappe de ramonage ou depuis l'intérieur du produit, auquel le déflecteur doit être retiré. Renseignez-vous auprès de votre distributeur Jøtul sur la réglementation à ce sujet.

### 6.4 Contrôle du poêle

Jøtul recommande que l'utilisateur contrôle personnellement et soigneusement le foyer suite à une opération de ramonage/nettoyage. Vérifier l'absence de fissures sur toutes les surfaces visibles. Vérifier également l'état et la bonne installation de tous les joints. Tout joint montrant des signes d'usure, de déformation ou de dureté doit être remplacé.

Nettoyer soigneusement les gorges de joint, appliquer de la colle céramique (disponible auprès des distributeurs Jøtul), puis insérer correctement le joint sans tirer dessus. Le séchage est rapide.

## 6.5 Entretien de la surface externe

La couleur des produits peints peut se ternir après plusieurs années d'utilisation. Avant d'appliquer une nouvelle couche de peinture, brosser et laver la surface peinte pour en éliminer toutes les particules.

## 7.0 Maintenance

**Danger : toute modification non autorisée du produit est interdite et annule la garantie.**

**Utiliser uniquement les pièces détachées d'origine.**

### 7.1 Remplacement des déflecteurs

*(N.B. : si des outils sont utilisés, veiller à ne pas endommager les plaques en vermiculite).*

1. Soulevez le bord avant du déflecteur et inclinez-le vers l'extérieur (fig. 29 G). Retirez les plaques de doublage latérales (fig. 29 F) et arrière (fig. 29 E).
2. Le déflecteur supérieur (en fonte) situé au-dessus du déflecteur, repose avec la barre sur la rainure au niveau de la sortie arrière (fig. 26A). Pour extraire le déflecteur supérieur, soulevez-le légèrement, puis tirez-le en l'inclinant vers l'extérieur.
3. Inversez l'ordre de ces étapes pour remettre les déflecteurs en place.

### 7.2 Remplacement des plaques de doublage/plaques de source

*(N.B. : si des outils sont utilisés, veiller à ne pas endommager les plaques en vermiculite).*

1. Soulevez le bord avant du déflecteur et inclinez-le vers l'extérieur. Retirez les plaques de doublage latérales (fig. 29 F) et arrière (fig. 29 E).
2. Soulevez ensuite la grille mobile et la plaque de source pour les extraire (fig. 29 D).
3. Inversez l'ordre de ces étapes selon que le déflecteur est à insérer ou à extraire du foyer.
4. Au moment de ré assembler la grille et la plaque de source, assurez-vous que la barre de commande de la grille est engagée dans l'encoche sur le côté droit. (fig. 27 A).

# FRANCAIS

## 7.3 Remplacement des vitres latérales intérieures et extérieures

1. Soulevez le bord avant du déflecteur et inclinez-le vers l'extérieur. Retirez les plaques de doublage latérales (fig. 29 F) et arrière (fig. 29 E).
2. Le déflecteur supérieur (en fonte) situé au-dessus du déflecteur, repose avec la barre sur la rainure au niveau de la sortie arrière (fig. 26 A). Pour extraire le déflecteur supérieur, soulevez-le légèrement, puis tirer-le en l'inclinant vers l'extérieur.
3. Enlevez la grille de décendrage, la plaque de source et le cendrier (fig. 29 D).

Fig. 31

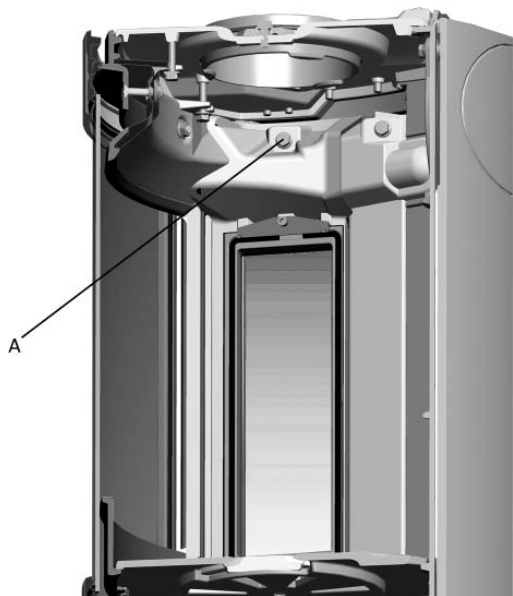
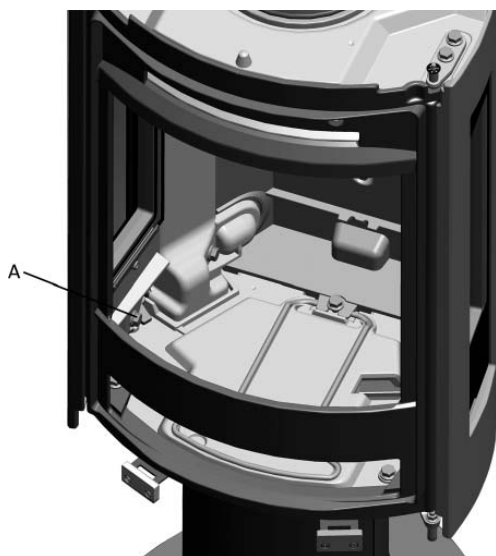


Fig. 32



4. Dévissez les vis supérieures et inférieures (fig. 31 A & 32 A), inclinez le support et sortez la vitre par la porte avec soin. **N.B.** : le support maintient aussi la vitre extérieure.
5. Enlevez la vitre et remplacez toujours les joints. Remplacez éventuellement la vitre extérieure.
6. Inversez l'ordre de ces étapes pour tout remettre en place.

## 8.0 Dysfonctionnements – Causes et dépannages

### Tirage faible

1. Vérifier que la longueur de la cheminée est conforme aux législations et aux réglementations nationales en vigueur. (Voir aussi «2.0 Données techniques» et «3.0 Installation» (Cheminées et conduits) dans le manuel d'installation à ce sujet.)
2. Vérifier que la section minimale de la cheminée est conforme aux spécifications de la section «2.0 Données techniques» du manuel d'installation.
3. Vérifier que rien n'empêche l'évacuation des fumées : branches, arbres, etc.
4. Pour remédier à tout tirage semblant faible ou excessif, demander à un professionnel de vérifier et éventuellement de redimensionner la cheminée.

### Le feu s'étouffe rapidement

1. Vérifier que le bois de chauffage est suffisamment sec.
2. Vérifier l'absence d'aspiration dans la pièce. Arrêter toute ventilation mécanique et ouvrir une fenêtre à proximité du foyer.
3. Vérifier que l'entrée d'air est ouverte.
4. Vérifier que le conduit n'est pas obstrué.

### Important dépôt de suie sur la vitre

L'accumulation de suie sur la vitre est inévitable, mais la quantité de dépôt varie en fonction :

1. Du taux d'humidité du combustible.
2. Des conditions locales de tirage.
3. Du réglage de l'entrée d'air.

Une grande partie de cette suie est normalement consommée lorsque l'entrée d'air est ouverte à son maximum et en présence d'un feu vif dans le foyer. (Voir la rubrique *Un bon conseil à la section «6.1 Nettoyage de la vitre»*.)

## 9.0 Équipements disponibles en option

### 9.1 Plaque décoratives

Plaques décoratives caches pour vitres latérales (2 pièces), peintes Noir Mat - N° cat 50037271 (350990).

Plaques décoratives caches pour vitres latérales (2 pièces), peintes Gris - N° cat 50037272 (350991).

Pierre ollaire, partie supérieure 25 mm, une pièce - N° cat. 50012988 (350992).

Pierre ollaire, partie supérieure 25 mm, trois pièces - N° cat. 50013013 (361011), remplace 50012988 (350992) installé sur la cheminée en acier.



## 9.2 Décoration en verre, supérieure, latérale et frontale

*(instructions de montage séparées)*

Set verre pour conduit d'évacuation de la fumée arrière, peint Noir, N° cat 51012250 (350993).

Set verre pour conduit d'évacuation de la fumée arrière, peint Gris, N° cat 51012251 (350994).

Set verre pour conduit d'évacuation de la fumée supérieur, peint Noir, - N° cat 51012252 (350995).

Set verre pour conduit d'évacuation de la fumée supérieur, peint Gris, - N° cat 51012253 (350996).

## 9.3 Set de rotation

*Voir les instructions d'installation séparées.*

Set de rotation pour Jøtul F 373, - N° cat 51012254 (350997)

## 9.4 Panier à bois

Peintes Noir Mat - N° cat. 50012995 (351160)

Peintes Gris - N° cat. 50013037 (351161)

## 9.5 Porte en fonte du pied (Jøtul F 371)

Peintes Noir Mat - N° cat. 51036917 (361115)

Peintes Gris - N° cat. 51036918 (361116)

## 9.6 High Top (HT)

Réf. cat. 51012304

## 9.7 Système de stockage de chaleur

Réf. cat. 10026701

## 9.8 Pierre ollaire

Jøtul F 377 kit pierre ollaire, réf. cat. 21043545

Jøtul F 377 HT kit pierre ollaire, réf. cat. 21043546

## 9.9 Kit de convection

Jøtul F 370 C, kit de convection, latérale, BP, réf. cat. 50043647

Jøtul F 370 C, kit de convection, supérieure, BP, réf. cat. 50043642

## 10.0 Garantie

La société Jøtul offre une garantie sur les pièces extérieures en fonte en cas de vice de matière et/ou de fabrication à compter de la date de l'achat / de l'installation du poêle. L'acheteur est en droit de retourner la marchandise à condition que le poêle ait été installé en conformité avec les lois et règlements en vigueur ainsi qu'avec les instructions d'installation et d'utilisation de Jøtul.

### La garantie ne couvre pas :

L'installation d'options, notamment pour rectifier le tirage, l'arrivée d'air ou d'autres circonstances qui échappent au contrôle de Jøtul. La garantie ne couvre pas les consommables tels que les plaques de doublage, les déflecteurs de fumée, les grilles de poêle, les grilles de fond, les briques réfractaires, les amortisseurs et les joints car ces éléments nécessitent d'être remplacés régulièrement en usage normal. La garantie ne couvre pas non plus les vitres. La garantie ne couvre pas les dommages causés par l'utilisation d'un combustible inapproprié.

La garantie ne couvre pas les avaries causées lors du transport de l'appareil entre le distributeur et le lieu de livraison. La garantie ne s'applique pas non plus aux dommages causés par l'utilisation de pièces qui ne sont pas d'origine.

# ESPAÑOL

## Indice

1.0	Relación con las autoridades.....	42
2.0	Información técnica .....	42
3.0	Seguridad .....	43
4.0	Instalación .....	48
5.0	Uso diario .....	58
6.0	Mantenimiento.....	58
7.0	Conservación.....	59
8.0	Problemas de funcionamiento : solución de problemas.....	60
9.0	Equipo opcional .....	61
10.0	Garantía.....	61

## 1.0 Relación con las autoridades

La instalación de una estufa debe efectuarse con arreglo a la normativa legal de cada país. La instalación del producto debe cumplir toda la normativa local en vigor, incluyendo la que se aplica a nivel nacional y europeo.

La instalación sólo puede utilizarse una vez que haya sido revisada por un inspector cualificado.

Una placa de identificación del material resistente al calor está fijada en el producto. La placa contiene información de identificación y documentación del producto.

## 2.0 Información técnica

Material:	Hierro fundido
Acabado:	Esmalte negro o gris
Combustible:	Madera
Longitud máxima de los troncos:	30 cm
Salida del tubo de humos:	Superior, posterior
Dimensión del tubo de humos:	Ø150 mm/min.177cm <sup>2</sup> sección transversal

Peso con:	
- con base de hierro fundido:	Aprox. 163 kg
- con pedestal de hierro fundido:	Aprox. 156 kg
- con pie de hierro fundido:	Aprox. 154 kg
- con base de hierro fundido con puerta de cristal:	Aprox. 165 kg
- con base de cristal:	Aprox. 158 kg
- Jøtul F 377 con saponita:	aprox. 220 kg
- Jøtul F 377 HT con saponita:	aprox. 270 kg
- Jøtul F 377 con sistema de almacenaje de calor y saponita:	aprox. 330 kg
- con tres patas:	Aprox. 149 kg
Suplementos opcionales:	Placas de decoración - juncos/ cubierta para las ventanas laterales, decoración de estealita, decoración de cristal - superior, laterales y delantero, conjunto giratorio (Jøtul F 373), leñera, puerta de hierro fundido para base (Jøtul F 371), High Top, Jøtul F 377 saponita, Jøtul F 377 HT saponita, kit convección, sistema de almacenaje de calor.

Dimensiones, distancias: **Veá la figura 1**

### Información técnica conforme a EN 13240:

Producción térmica nominal:	5,5 kW
Flujo másico de los gases de combustión:	5,9 g/s
Tiro de chimenea recomendado:	12 Pa
Rendimiento:	73% @ 5,8kW
Emisión de CO (13% O <sub>2</sub> ):	0,12%
Temperatura de los gases de combustión:	330° C
Tipo de funcionamiento:	Intermitente*

\*La combustión intermitente, en este contexto, se refiere al uso normal de la estufa, es decir, el combustible se añade a medida que se ha consumido a un número de brasas adecuado.

Product: Jøtul Room heater fired by solid fuel				CE
Standard Minimum distance to adjacent combustible materials: Minimum distance to adjacent combustible materials: Emission of CO in combustion products: Flue gas temperature Nominal heat output Efficiency Operation range Fuel type Operational type The appliance can be used in a shared flue.				
Country	Classification	Certificator/standard	Approved by	
Norway	Klasse II			
Sweden	OC	SP	SP Sveriges Provnings- och Forskningsinstitut AB	
EUR	Intermittent	EN	EN Swedish National Testing and Research Institute	
Follow user's instructions. Use only recommended fuel. Montage- und Bedienungsanleitung beachten. Verwenden Sie nur empfohlenen Brennstoffen. Respectez les consignes d'utilisation. Utilisez uniquement les combustibles recommandés.				
Serial no: Yxxxx, Year: 200x				
Manufacturer: Jøtul AS PCB 1444 N-1500, Fredrikstad Norway				

Todos nuestros productos disponen de una etiqueta que indica su número de serie y año. Escriba este número en el lugar indicado para ello en las instrucciones de instalación.

Indique siempre este número cuando se ponga en contacto con su distribuidor o con Jøtul.

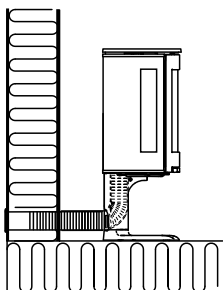
Serial no.

## Suministro de aire externo

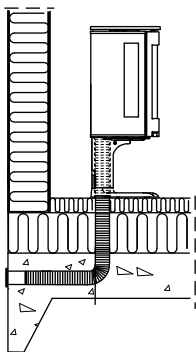
Con la F 370 es posible aspirar aire externo directamente en el producto a través de la base/pedestal, o bien a través de un tubo flexible de suministro desde el exterior/chimenea\* y hacia la salida del producto.

\* Esto sólo es aplicable si la chimenea dispone de su propio tubo para aire externo.

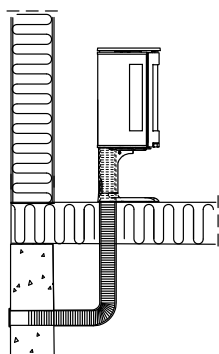
### A través de una pared exterior



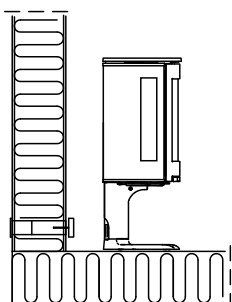
### A través de la placa de piso y el suelo



### A través del suelo y el zócalo



### Indirectamente a través de una pared exterior



## 3.0 Seguridad

**N. B.:** para garantizar un rendimiento y seguridad óptimos, las estufas Jøtul deben ser instaladas por un instalador cualificado.

Cualquier modificación del producto por parte del distribuidor, instalador o usuario puede motivar que el producto y sus prestaciones de seguridad no funcionen del modo previsto. Esto también se aplica a la instalación de accesorios o extras opcionales suministrados por terceros. Lo mismo puede suceder si se desmontan o retiran componentes esenciales para el funcionamiento y la seguridad de la estufa.

En cualquier caso, el fabricante no se hará responsable del producto y el derecho a realizar una reclamación quedará anulado y sin validez.

### 3.1 Medidas de prevención de incendios

Existe un cierto elemento de riesgo cada vez que se usa la estufa. Por lo tanto, deben respetarse las siguientes instrucciones:

- Las distancias mínimas de seguridad al utilizar la estufa se muestran en la **fig. 1**.
- Asegúrese de que no haya muebles ni otros elementos inflamables demasiado cerca de la estufa. Los elementos inflamables no deberían estar a menos de 1000 mm de la estufa.
- Deje que el fuego se consuma por sí solo. Nunca apague las llamas con agua.
- La estufa se calienta cuando está encendida y puede causar quemaduras si se toca.
- Saque las cenizas solo con la estufa fría. Las cenizas pueden contener rescoldos calientes y, por lo tanto, deberán ponerse en un recipiente no inflamable.
- Las cenizas deberán sacarse al exterior o vaciarse en un lugar donde no supongan un riesgo de incendio.

### Si se produce un incendio en la chimenea

- Cierre todas las trampillas y los respiraderos.
- Cierre la puerta de la estufa.
- Compruebe si hay humo en el sótano y en la buhardilla.
- Llame a los bomberos.
- Después de producirse un incendio, un experto deberá comprobar la estufa y la chimenea antes de utilizarse para asegurar que funciona correctamente.

## Jøtul F 370

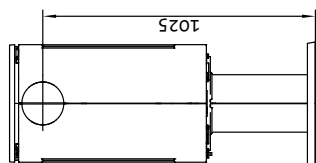
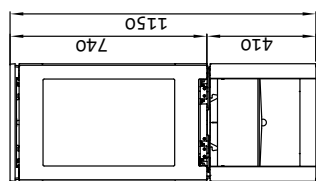
Distancias mínimas a paredes hechas de material combustible, fig. 1a

Configuración	a	b	c	d	e	f	g	h	i
Modelo básico	440	1125	920	650	480	612	407	701	160
Con placas de decoración, cubierta para las ventanas laterales	340	982	777	550	380	612	407	601	160
Con chimenea de acero, semi-aislada	440	1125	920	650	480	552	347	701	100
Con decoración de cristal, laterales	190	771	566	400	280	558	353	501	* 160
Jøtul F 370 C (producto con kit de convección, cristal laterales y chimenea semi-aislada)	150	742	537	380	400	524	319	641	50
Jøtul F 377 (producto con piedra esteatita – laterales y superior)	250	915	710	502	400	539	334	647	50

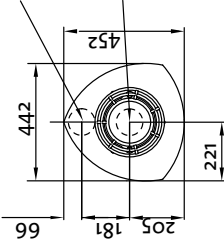
\* Si utiliza chimeneas semi-aislada la distancia será 100 mm.

Fig. 1a

lØtul F 371 / F 373 / F 374 / F 375 / F 376 / F 377 / F 379 / F 370 C



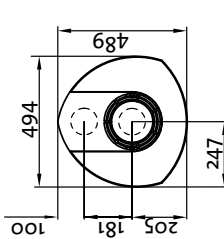
Modelo básico:



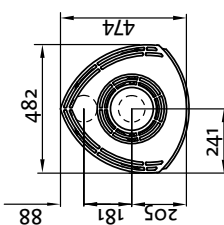
Orificios en el piso para aire externo  
Ø100 mm conexión  
lØtul F 371, F 374, F 375, F 376, F 377, F 379

Orificios en el piso para aire externo  
Ø100 mm conexión  
lØtul F 373

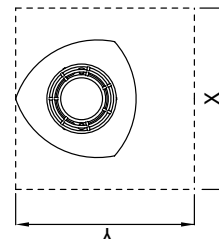
lØtul F 377:



lØtul F 370 C:

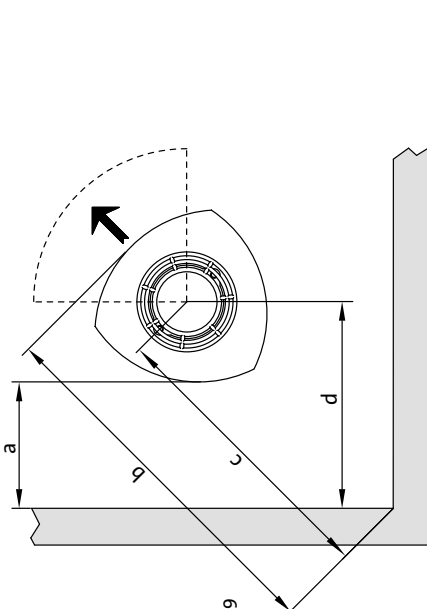


Dimensiones mínimas de la placa de piso  
X/Y = De conformidad con las leyes y  
reglamentos nacionales.

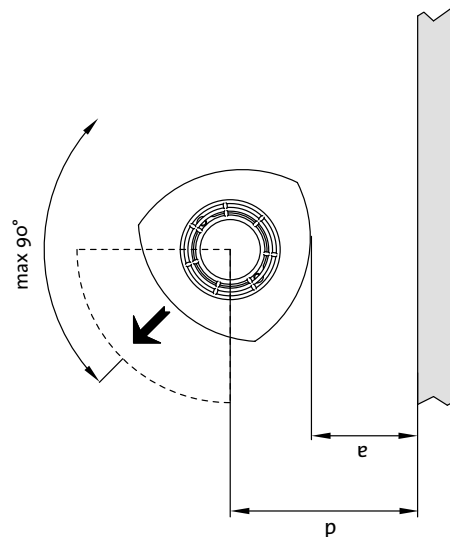
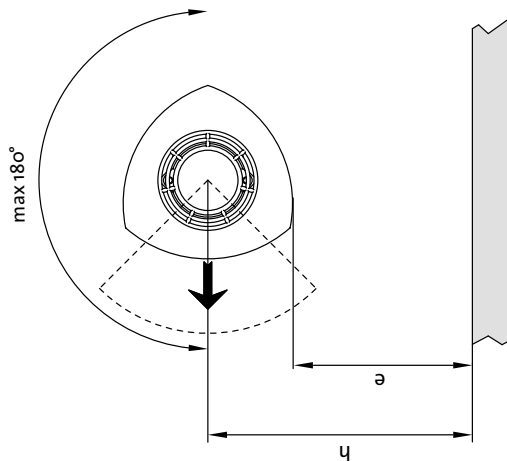


Distancia mínima a una pared de material combustible:  
véase el cuadro anterior

Pared de material combustible



Distancia a la pared de material combustible  
con pedestal giratorio: véase el cuadro anterior



# Jøtul F 370

Distancias mínimas a una pared de material combustible protegida con cortafuegos, fig. 1b

Configuración	a	b	c	d	e	f	g	h	i	j	k	l	m	n	o	p	q	r	s	t
Modelo básico	100	643	438	310	200	492	287	421	40	550	480	440	735	799	773	934	999	962	756	1156
Con placas de decoración, cubierta para las ventanas laterales	100	643	438	310	200	492	287	421	40	550	380	340	735	669	659	934	884	841	556	930
Jøtul F372, F 375, F 376, F 379 con suministro de aire a través de una pared exterior	100	643	438	310	200	552	347	421	100	550	-	-	795	-	-	994	-	-	-	-
Modelos C (producto con kit de convección y chimenea semi-aislada)	100	671	466	330	200	524	319	441	50	550	400	200	888	-	807	956	-	897	-	-
Jøtul F 377 (producto con piedra esteatita – laterales y superior)	100	703	498	354	200	539	334	447	50	550	400	250	892	-	885	961	-	960	-	-

Fig. 1C

Jøtul F 375, F 376 og F 379 : Distancia mínima con suministro de aire a través de una pared exterior

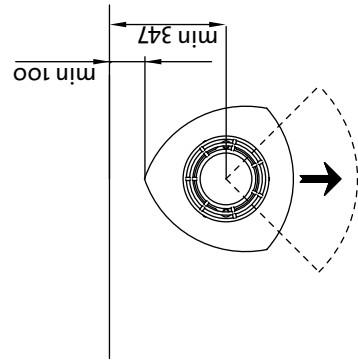


Fig. 1b

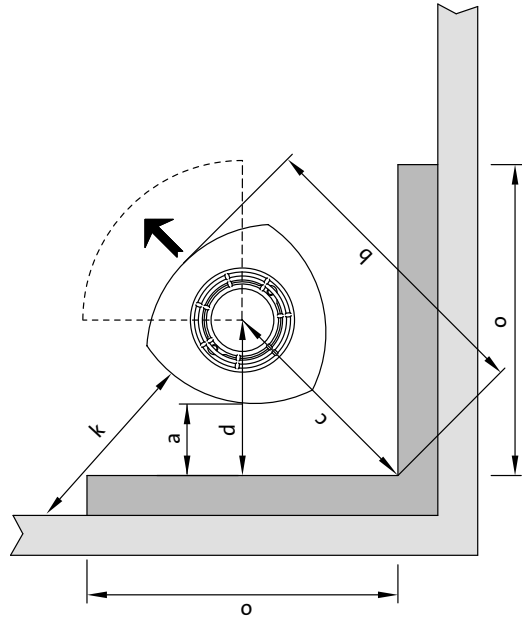
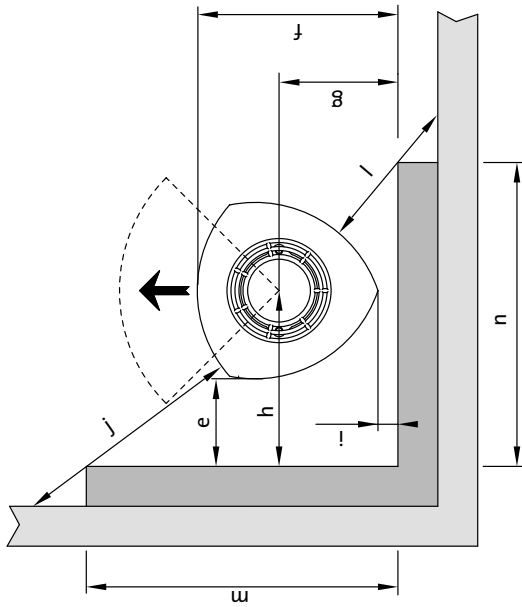
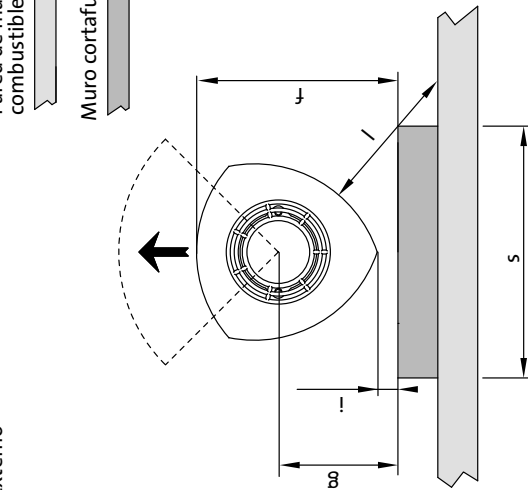
Jøtul F 371/ F 373/ F 374/ F375/ F 376/ F377/ F 379/ F370 C

Distancia mínima a una pared de material combustible protegida con cortafuegos: véase el cuadro anterior.

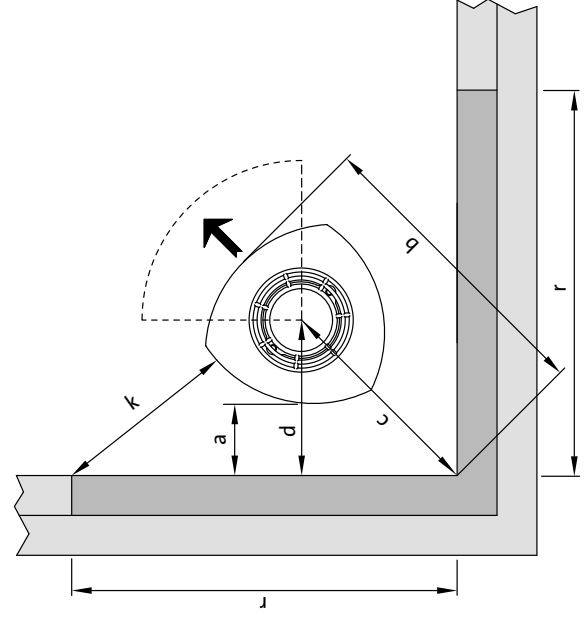
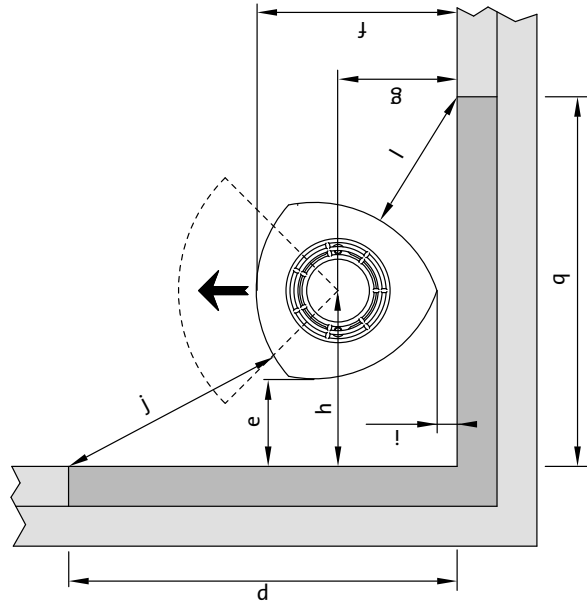
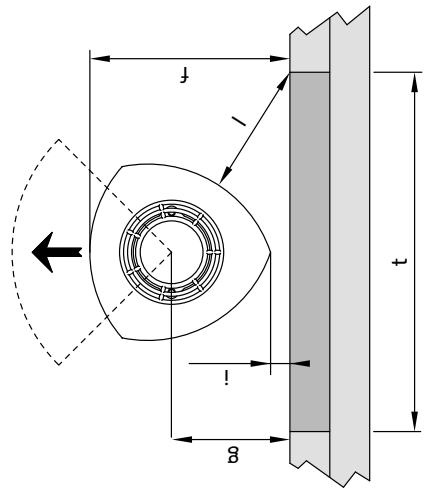
Externo

Pared de material combustible

Muro cortafuegos



Integrado



# ESPAÑOL

## 3.2 Suelo

### Anclaje, base

Debe verificar que la base se adecue a la instalación de una estufa. Compruebe el peso especificado en «2.o Especificaciones técnicas».

Se recomienda retirar el revestimiento del suelo que no vaya fijado a la superficie correspondiente («suelos flotantes»).

### Protección de suelos de madera

La Jøtul F 370 Series (excepto Jøtul F 374) dispone de una pantalla térmica en la parte inferior que protege el suelo de la radiación. El producto dispone de protector de suelo integrado de forma que se puede colocar directamente sobre un suelo de madera.

**El suelo de material combustible, como linóleo, moqueta, etc., debe retirarse de debajo de la placa del suelo.**

### Requisitos de protección del suelo combustible de delante de la estufa

**La placa frontal debe cumplir la normativa legal nacional.**

*Póngase en contacto con el organismo local regulador de la construcción para informarse sobre las restricciones y los requisitos de la instalación.*

## 3.3 Paredes

### Distancia a paredes de material combustible

La estufa puede usarse con un tubo de humos sin aislamiento respetando las distancias con la pared de material inflamable indicadas en la **figura 1**.

## 3.4 Techo

Entre la estufa y el techo combustible debe mediar una distancia mínima de **1.000 mm**.

## 4.0 Instalación

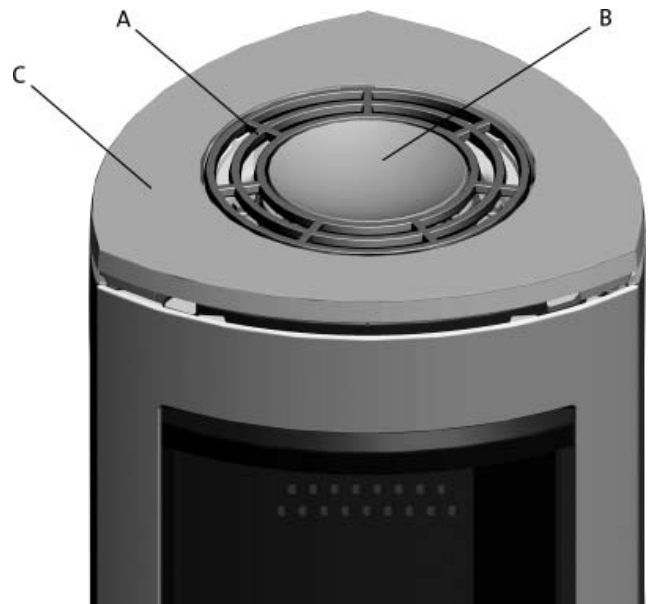
**Nota:** antes de comenzar la instalación, compruebe que la estufa no presenta daños.

**La estufa pesa mucho, por lo que necesitará ayuda para levantarla e instalarla.**

### 4.1 Para la instalación

1. El producto estándar se suministra en dos paquetes. Uno contiene la propia estufa y el otro una base opcional de hierro fundido/hormigón/cristal o pedestal de hierro fundido.
2. Cuando se desembala el producto, se retiran los quemadores, la placa deflectora, el deflector de escape, la placa base, la bandeja de ceniza y la parrilla de cribado. También se deben retirar los pequeños quemadores laterales y la junta del conducto de humos que se encuentran en la bandeja de ceniza.

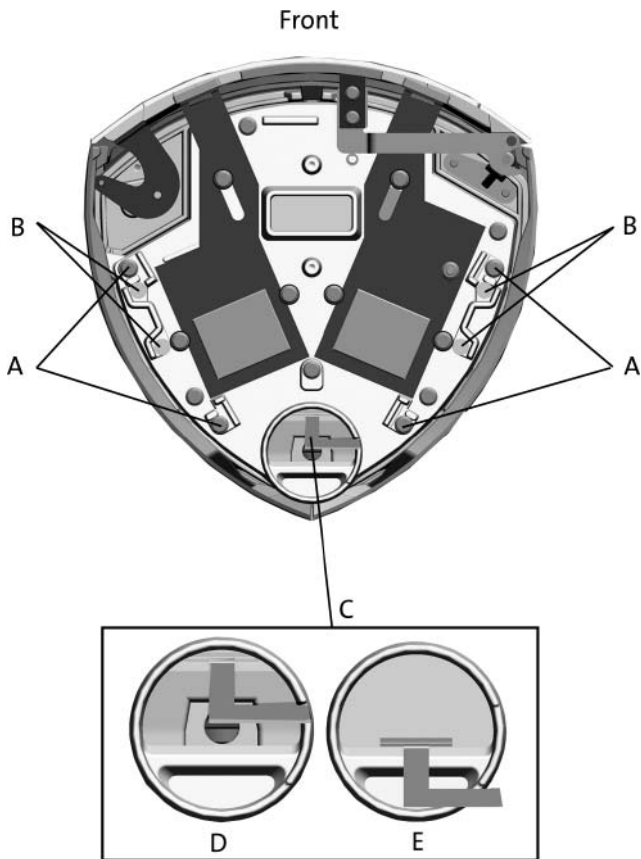
Fig. 3



3. Retire la placa superior con la rejilla superior (**fig. 3 A**) y la cazoleta (**fig. 3 B**).
4. Compruebe que los mandos de regulación funcionan (**fig. 29 A, B y C**).
5. Si se utiliza la salida posterior del conducto de humos, taladre orificios (**fig. 5 A**) en las cubiertas extraíbles para el conducto de humos antes de retirarlas.
6. Coloque el bloque de madera (**fig. 5 B**) que mantiene los deflectores de escape en su sitio, de forma que las placas laterales queden apoyadas cuando se retiren las cubiertas.
7. Extienda el embalaje de cartón en el suelo. Coloque la estufa cuidadosamente sobre un lado.



Fig. 4



8. Si desea utilizar el juego decorativo de cristal (suplemento opcional), deberá quitar los 4 tornillos de cabeza ahuecada de la parte inferior (**fig. 4 B**) mediante la llave que se incluye con el juego decorativo.

## 4.2 Montaje

### Jøtul F 371 - la base de hierro fundido

**Nota:** si el tubo flexible se va a conectar a través de un orificio practicado en el suelo, no será necesario retirar las cubiertas extraíbles.

Fig. 5



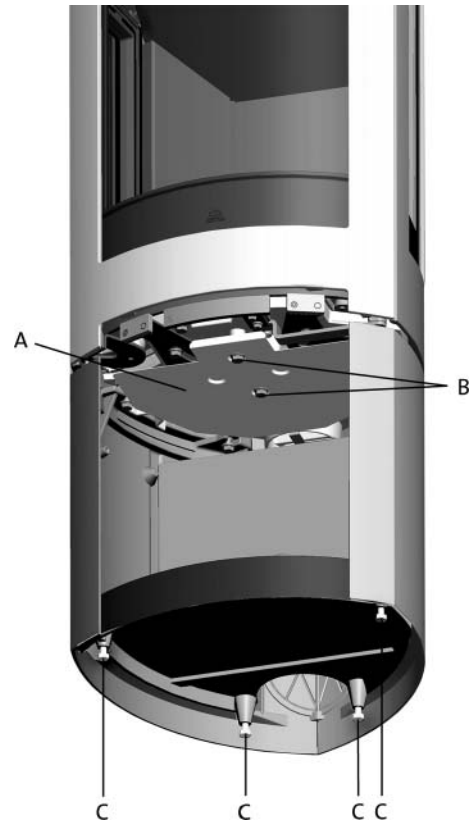
1. Si el tubo flexible de 100 mm de diámetro que suministra aire externo se va a conectar al respiradero de aire externo (**fig. 4 C**) debajo de la cámara de combustión (**fig. 5 C**) en las cubiertas extraíbles antes de retirarlas. **Nota:** Asegúrese de que la placa posterior de la base (**fig. 6 A**) esté colocada cuando vaya a taladrar las cubiertas.

Fig. 6



2. Retire la rejilla y la placa posterior de la base (**fig. 6 A**). Asegúrese de que el asa del respiradero de aire externo (**fig. 4 D**) esta en la posición delantera.
3. Monte la base con la cámara de combustión del producto mediante los 4 tornillos (M8x30 mm) de la bolsa (**fig. 4 A**).
4. Solicite ayuda a otra persona para levantar el producto cuidadosamente.

Fig. 7



5. Ajuste el producto mediante los 4 tornillos de ajuste (consulte la **fig. 7 C**).
6. Introduzca el tubo flexible por el orificio y fíjelo a la salida con un clip. **Nota: asegúrese de que el tubo es suficientemente largo para evitar tener que hacer empalmes.**
7. El área de la base debe protegerse de la radiación térmica del producto mediante la pantalla térmica suministrada (**fig. 7 A**). Asegúrela con los 2 tornillos como se muestra en la **fig. 7 B**.
8. Vuelva a montar la rejilla y la placa posterior de la base.

## Jøtul F 373 - La columna

**¡Importante!** Si es necesario montar el conjunto giratorio, deberá hacerse antes de asegurar el pedestal al hogar. Consulte las instrucciones de montaje suministradas con el conjunto giratorio.

Fig. 11



1. Ajuste el producto mediante los 3 tornillos de ajuste (fig. 11 A).
2. Monte la columna en la placa inferior del hogar mediante los 4 tornillos (fig. 4 A).
3. Si se va a utilizar el suministro de aire externo a través del respiradero de aire externo, el tubo flexible de 100 mm de diámetro se conecta ahora al respiradero del producto (fig. 4 C).
4. Empuje el asa del respiradero de aire externo hasta la posición delantera (fig. 4 D).
5. Sujete el tubo al respiradero de aire externo mediante un clip. **Nota:** asegúrese de que el tubo es suficientemente largo para evitar tener que hacer empalmes.
6. Si se va a suministrar aire externo a través del suelo, coloque la junta de la columna en la parte inferior de la columna, en la abertura. Introduzca el tubo flexible por la junta (fig. 11 B) desde la parte inferior de la columna. **Nota!** El agujero coincide con el centro del pedestal.
7. Empuje el asa del respiradero de aire externo hasta la posición posterior (consulte la fig. 4E).
8. Solicite ayuda a otra persona para levantar el producto cuidadosamente y colóquelo justo encima del suministro de aire externo.

**¡Importante!** Si el aire externo no va a pasar por el pedestal, compruebe que el asa del respiradero de aire externo se encuentra en la posición delantera.

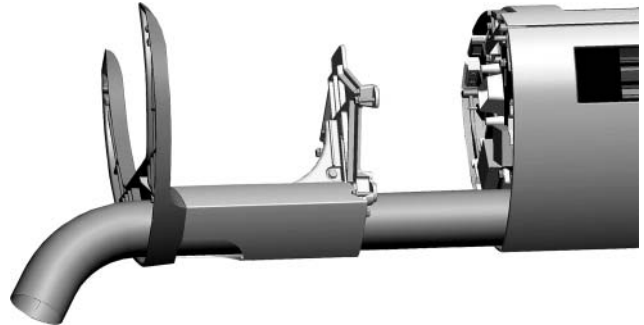
## Jøtul F 374 - Pie de hierro fundido

Si se utiliza aire externo suministrado por el respiradero de aire externo, conecte un tubo flexible, de  $\varnothing$  100 mm, al respiradero de aire externo (fig. 4 C) del producto.

### Instalación con aire externo

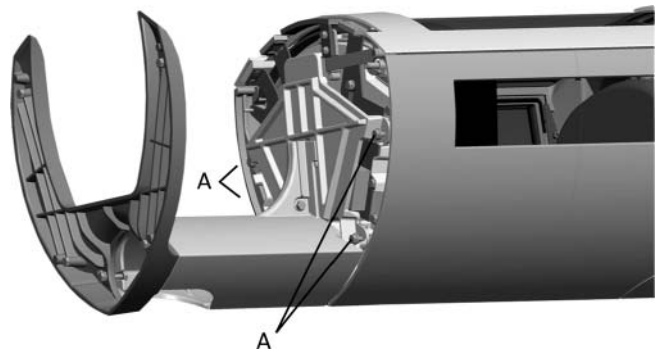
1. Empuje la palanca del respiradero de aire externo hacia adelante (fig. 4D).
2. Sujete el tubo flexible al respiradero de aire externo con una abrazadera. **¡Atención!** Asegúrese de que el tubo sea de longitud suficiente para no tener que hacer empalmes.

Fig. 12



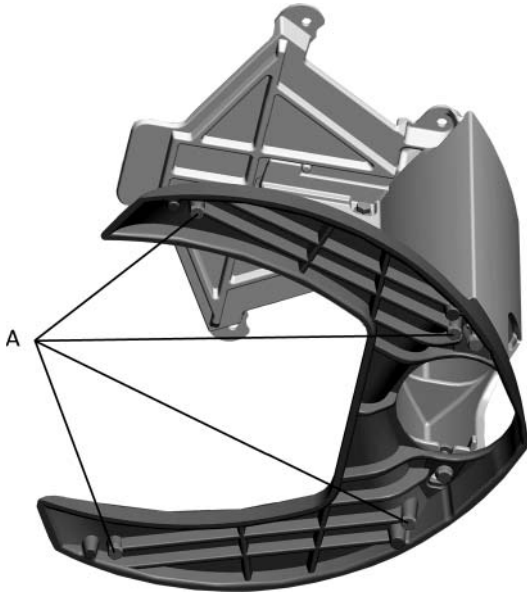
3. Desplace el pie de hierro fundido hacia la cámara de combustión a medida que pase el tubo de aire externo por el pie y, si es necesario, por la abertura que tiene en la parte trasera (fig. 12).

Fig. 13



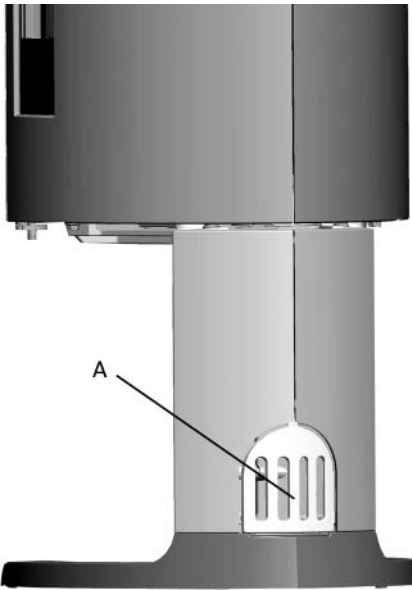
4. Fije la base a la cámara de combustión con los 4 tornillos (M8 x 30 mm) que encontrará en la bolsa de tornillos (fig. 13 A).
5. Con ayuda de otra persona, levante cuidadosamente el producto y colóquelo en la posición correcta sobre el suministro de aire externo.

Fig. 14



6. Si es necesario, ajuste la altura del producto con los tornillos de ajuste que hay debajo del pie (fig. 14 A).

Fig. 15



7. Vuelva a colocar la tapa del suministro de aire externo (fig. 15 A).

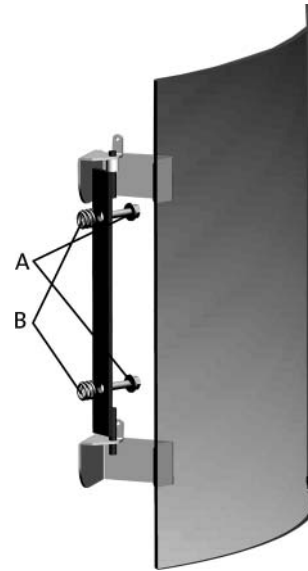
### Instalación sin aire externo

1. Fije la base a la cámara de combustión con los 4 tornillos (M8 x 30 mm) que encontrará en la bolsa de tornillos (fig. 13 A).
2. Con ayuda de otra persona, levante cuidadosamente el producto y colóquelo en la posición correcta sobre el suministro de aire externo.
3. Si es necesario, ajuste la altura del producto con los tornillos de ajuste que hay debajo del pie (fig. 14 A).
4. Vuelva a colocar la tapa (fig. 15 A).

### Jøtul F 375 - Base de hierro fundido con puerta de cristal

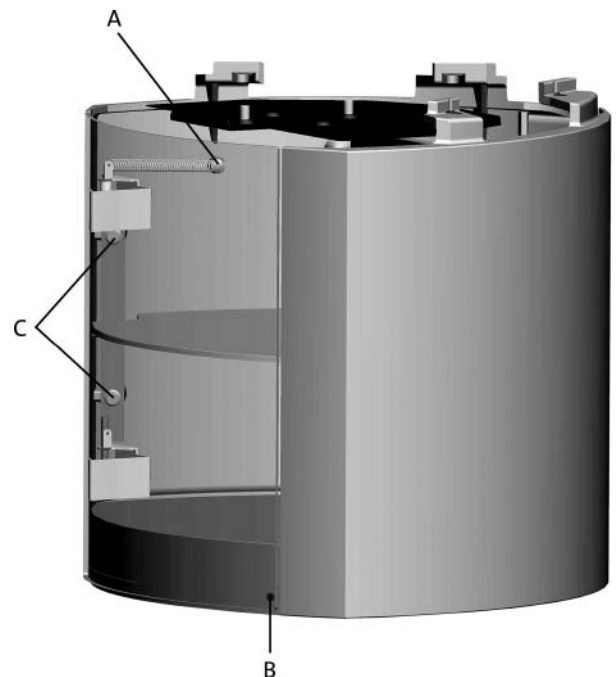
1. Monte la base de hierro fundido como se indica en el apartado Jøtul F 371 - base de hierro fundido.

Fig. 16



2. Fije la bisagra de la puerta de cristal a la base con los tornillos M6 x 20 mm que encontrará en la bolsa de tornillos para la puerta (fig. 16 A).
3. Inserte el muelle entre los orificios roscados y la bisagra antes de apretar los tornillos (fig. 16 B).

Fig. 17

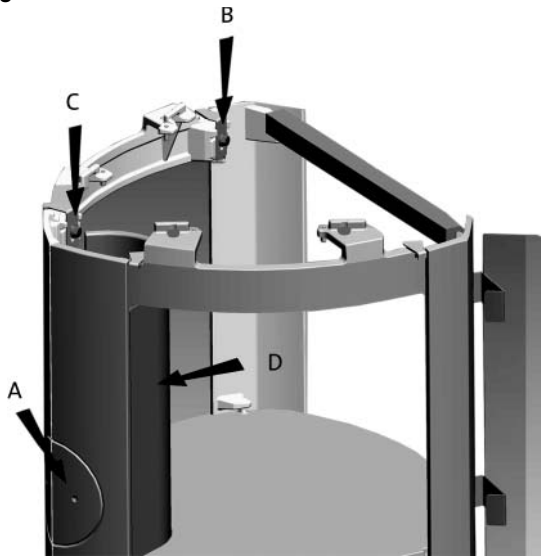


4. Atornille bien el otro extremo del muelle en posición (fig. 17 A).
  5. Fije el regulador de tiro de la puerta por la parte interior de la puerta, en la esquina inferior derecha (fig. 17 B).
- ¡Atención!** La distancia entre la puerta y la base debe ser uniforme para que la puerta cuelgue recta. Si es necesario, ajuste la puerta apretando o aflojando los dos tornillos (fig. 17 C).

## Jøtul F 376 – Base de cristal

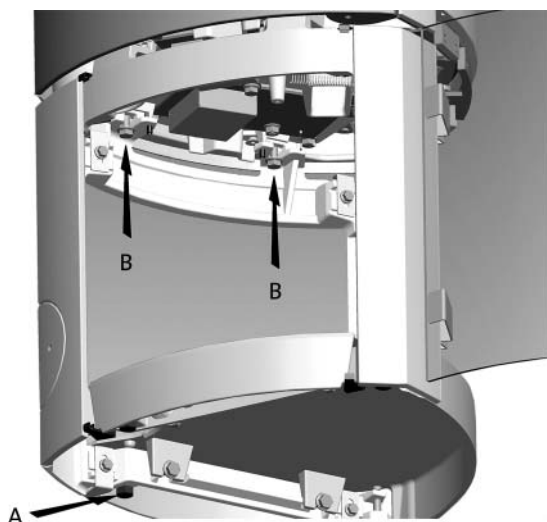
**Nota:** si conecta el manguito flexible a través de un agujero en el piso, no retire las placas de cubierta desmontables (Fig. 18 A).

Fig. 18



1. Afloje los tornillos sujetando los clips de la mirilla superior a cada lado (Figs. 18 B y C). Compruebe que la palanca del respiradero de aire externo esté en la posición hacia delante (Fig. 4 D).
2. Si conecta un manguito flexible ( $\varnothing 100$  mm) para el suministro de aire externo al respiradero/toma de aire externo (Fig. 4 C) bajo la cámara de combustión, practique primero un orificio (Fig. 18 A) en las placas de cubierta desmontables antes de retirarlas.  
**Nota:** mantenga la placa trasera de la base (Fig. 18 D) en su lugar al retirar las placas de cubierta.
3. Retire la placa trasera (Fig. 18 D) de la base.

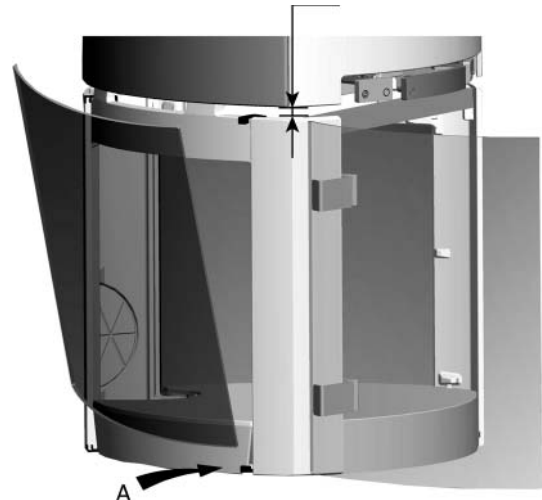
Fig. 19



4. Coloque la base en la posición correcta sobre la placa del piso (si procede). Nivele el producto mediante los cuatro tornillos de ajuste (Fig. 19 A).
5. Fije la base a la cámara de combustión con los 4 tornillos (M8 x 30 mm) que encontrará en la bolsa de tornillos (Fig. 19 B).

6. Eleve cuidadosamente el producto con la ayuda de otra persona.
7. Ajuste la mirilla con los tornillos en caso necesario, como se indica en la Fig. 17 C. La distancia entre la puerta y la base debe ser uniforme para que la puerta cuelgue recta.

Fig. 20



8. Instale los paneles laterales de cristal colocándolos en los clips inferiores (Fig. 20 A). Levante los clips superiores y apriételos contra el cristal lateral. Asegúrese de que el espacio sea uniforme entre el cristal y la placa lateral tanto delante como detrás. Apriete el tornillo delantero para el cristal lateral (Fig. 18 B). Debe aflojarse el tornillo trasero (Fig. 18 C) lo suficiente como para que pueda levantarse el clip del cristal sin retirar el tornillo (esto facilita después la sustitución del cristal).
9. Pase el manguito flexible (si procede) a través del orificio en el piso o por detrás de la base (Fig. 18 A) y sujételo a la salida con una abrazadera.  
**Nota:** compruebe que el manguito sea lo bastante largo como para que no sea necesario empalmarlo.
10. Vuelva a colocar la placa trasera (Fig. 18 D).
11. El área de la base debe protegerse de la radiación térmica del producto mediante la pantalla térmica suministrada (fig. 7 A). Asegúrela con los 2 tornillos como se muestra en la fig. 7 B.

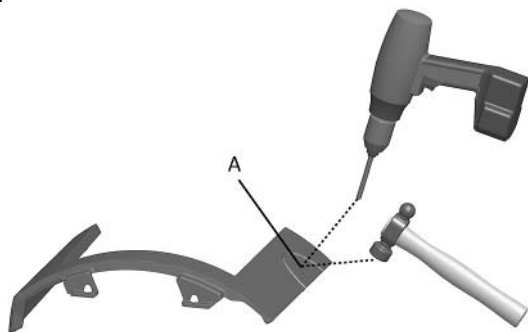
## Jøtul F 377 – con saponita

Consulte las instrucciones de instalación separadas (n.º cat. 10043560).

## Jøtul F 379 – con tres patas

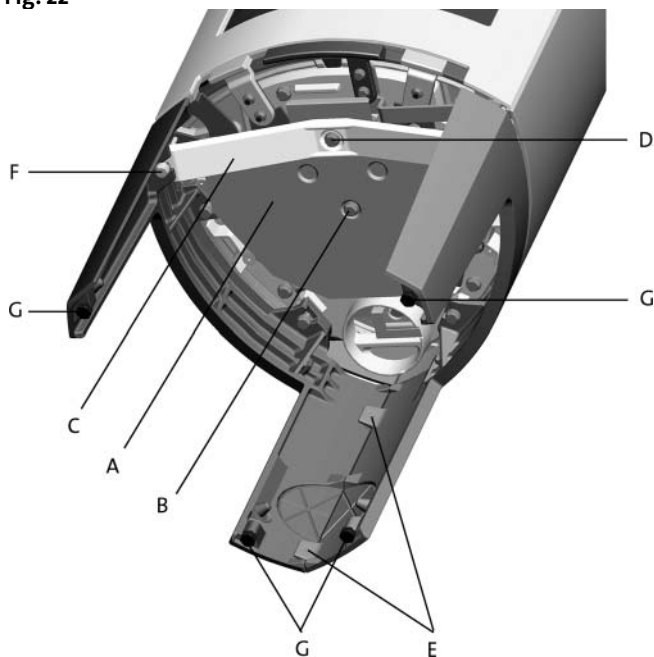
**Nota:** si el tubo flexible se va a conectar a través de un orificio practicado en el suelo, no es necesario quitar las chapas de cierre desmontables (fig. 21 A).

Fig. 21



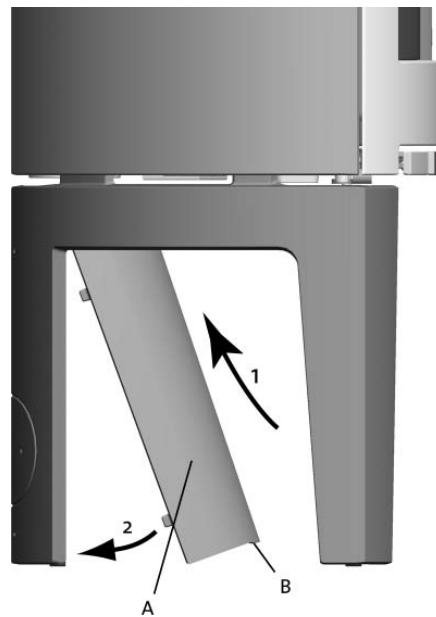
1. Si conecta un tubo flexible (Ø 100 mm) de entrada de aire exterior al respiradero de aire exterior (Fig. 4 C) bajo la cámara de combustión, practique un orificio (Fig. 21 A) en las chapas de cierre desmontables antes de retirarlas. **Nota:** ponga las piezas sobre una superficie adecuada antes de retirar las chapas de cierre.

Fig. 22



2. La pantalla térmica incluida se debe usar para proteger la base del calor que irradia el producto (Fig. 22 A). Sujétela con un tornillo (Fig. 22 B).
3. Monte el soporte acodado (Fig. 22 C) con un tornillo (Fig. 22 D), sin apretarlo demasiado.
4. Fije la base a la cámara de combustión con los 4 tornillos (M8 x 30 mm) que encontrará en la bolsa de tornillos (Fig. 4 A).
5. Atornille las patas juntas al borde trasero con 2 tornillos que encontrará en la bolsa de tornillos (Fig. 22 E).
6. Fije los dos extremos del soporte acodado (Fig. 22 C) con un tornillo (Fig. 22 F) y una tuerca.
7. Con ayuda de otra persona, levante con cuidado el producto.
8. Nivele el producto con los 4 tornillos de ajuste (Fig. 22 G).
9. Si las patas no están bien alineadas, afloje los tornillos (Fig. 22 F) de ambos extremos. Ajuste las patas y vuelva a apretar los tornillos.
10. Apretar el tornillo (Fig. 22 D).
11. Pase el tubo flexible por el orificio y sujételo a la salida con una abrazadera. **Nota:** asegúrese de que el tubo flexible sea suficientemente largo para no tener que hacer empalmes.

Fig. 23



12. Monte la tapa (Fig. 23 A). Asegúrese de que la contera (saliente) B quede hacia abajo.

### 4.3 Chimeneas y tubos de humos

- La estufa se puede conectar a una chimenea y a un tubo de humos aprobados para estufas de combustibles sólidos con las temperaturas de los gases de combustión que se detallan en la sección «2.0 Información técnica».
- La sección transversal de la chimenea debe ser al menos tan grande como la del tubo de humos. Para ver la sección transversal adecuada de la chimenea, consulte la sección «2.0 Información técnica».
- Si la sección transversal de la chimenea es suficientemente grande, se pueden conectar varias estufas de combustibles sólidos a la chimenea.
- La conexión a la chimenea debe realizarse de acuerdo con las instrucciones de instalación del proveedor de la chimenea.
- Antes de hacer el orificio en la chimenea, se debe efectuar una instalación de prueba de la estufa para marcar correctamente la posición de ésta y del orificio. Para ver las dimensiones mínimas, consulte la figura 1.
- Compruebe que el tubo de humos alcanza la chimenea.
- Utilice un codo de tubo de humos con una trampilla de deshollinado que permita deshollinar el tubo.

Es particularmente importante que los empalmes tengan cierta flexibilidad para evitar que la instalación se mueva y se produzcan fisuras.

**El tiro de la chimenea; consulte también «2.0 Información técnica».**

**Si el tiro es demasiado fuerte, puede instalar y utilizar un regulador de salida de humos para controlarlo.**

### Montaje de la salida de humos con la salida superior

El producto se entrega de fábrica con la salida de humos instalada para la salida superior.

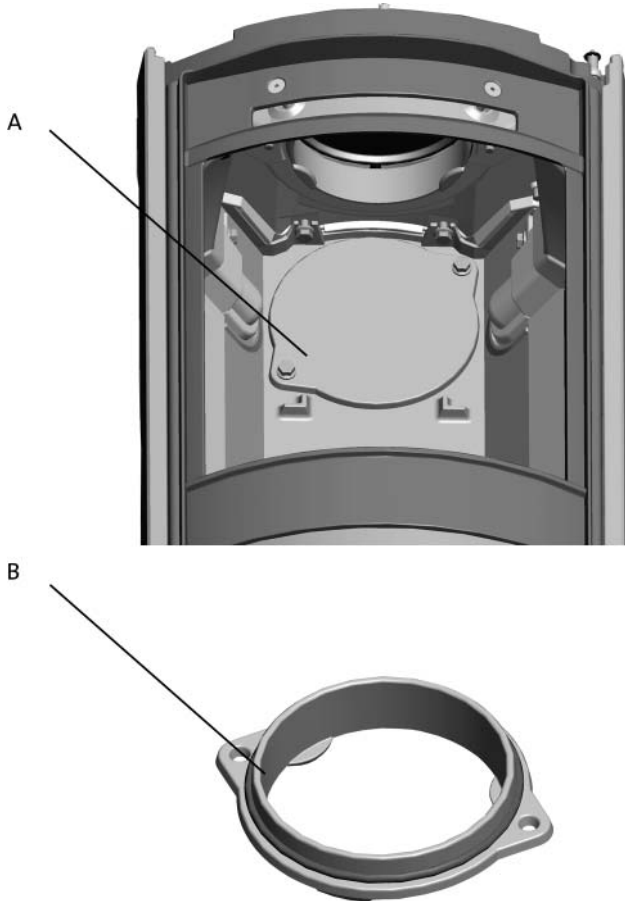
1. Coloque la placa superior (fig. 3 C) sobre el producto.
2. Solicite ayuda a otra persona para levantar la parrilla superior (fig. 3 A) y sujetarla mientras se fija la salida de humos.
3. Pase el tubo de humos por la parrilla de la placa superior y colóquelo sobre la salida de humos de la salida superior.
4. Apriételo bien con la junta.

### Montaje de la salida de humos con la salida trasera

El producto se entrega de fábrica con la salida de humos instalada para la salida superior. Si desea utilizar una salida trasera, realice el procedimiento siguiente:

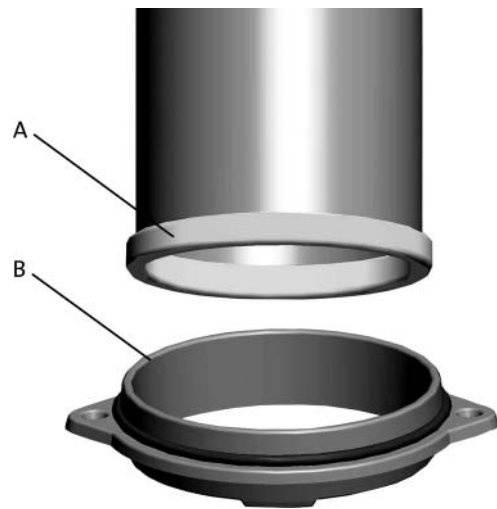
1. Coloque el producto en la posición correcta (consulte la **fig. 1**).

Fig. 24



2. Cuando se cambia a la salida trasera, la salida de humos se desenrosca de la salida superior (**fig. 24 B**).
3. Desenrosque la cubierta de la salida trasera desde el interior de la cámara de combustión (**fig. 24 A**).

Fig. 25

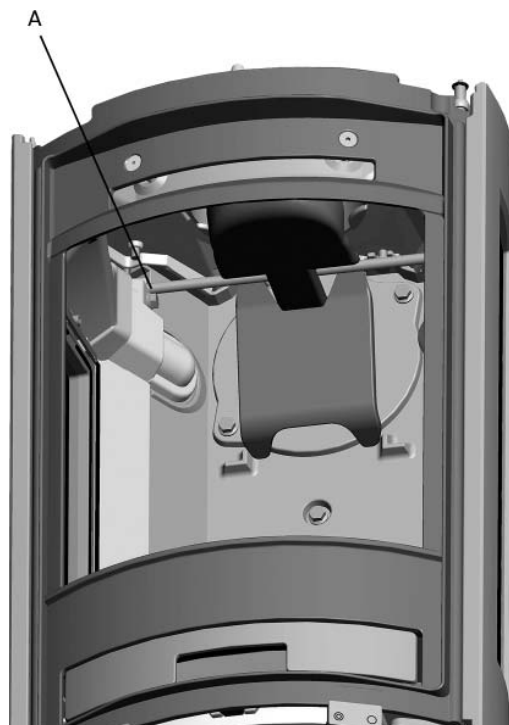


4. Coloque la junta en el extremo del conducto de humos (**fig. 25 A**).
5. Monte la salida de humos (**fig. 25 B**) en el extremo del conducto de humos que está equipado con la junta.
6. Monte el conducto de humos y la salida de humos desde el interior de la cámara de combustión y fije la salida de humos con los tornillos M8 de 30 mm. **Nota: Si la tubería de humos es mayor de 350 mm, se deberá conectar en la salida de humos desde el exterior del producto.**
7. Fije la cubierta a la salida superior (**fig. 24**) mediante los tornillos que sujetan la salida de humos.

**Nota: es importante que las juntas/tubos de humos estén correctamente sellados. Las fugas de aire pueden impedir que el tubo de humos funcione correctamente.**

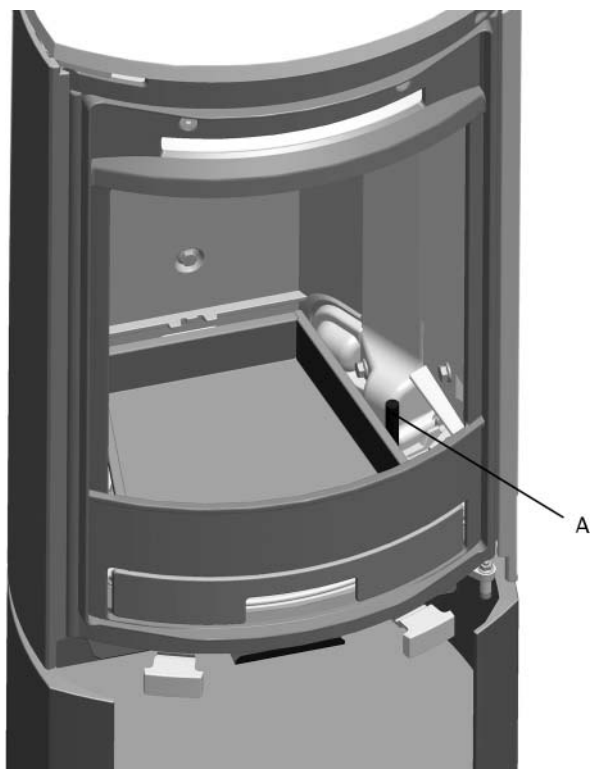
### 4.4 Montaje del producto

Fig. 26



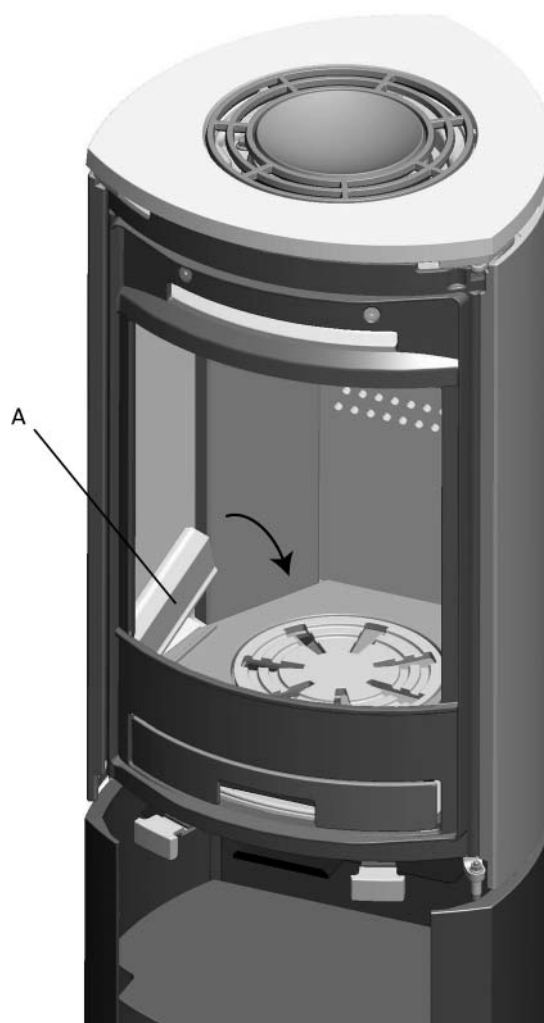
1. Coloque la placa deflectora con la barra en la ranura sobre los rebordes (**fig. 26 A**).
2. Pase la placa base por la abertura y colóquela en la parte inferior.

Fig. 27



3. Coloque la parrilla de cribado en su lugar sobre la placa base. Compruebe que la ranura de la parrilla de cribado del lado derecho se introduce en la barra de cribado (**fig. 27 A**).
4. Coloque la bandeja de ceniza en la parte inferior del producto.
5. Coloque el quemador posterior en la ranura posterior de la placa base.
6. Coloque los quemadores laterales a cada lado de las ranuras laterales de la placa base. Coloque la placa deflectora en su lugar de forma que quede apoyado sobre los quemadores laterales y posteriores.
7. Pose la placa deflectora sobre los quemadores.

Fig. 28



8. Coloque los quemadores pequeños (**fig. 28 A**) en la ranura de la placa base debajo de los cristales laterales.
9. Vuelva a colocar la placa superior con la rejilla superior y el tazón.
10. Coloque la placa de características del producto, que encontrará en el cenicero, bajo la cámara de combustión.

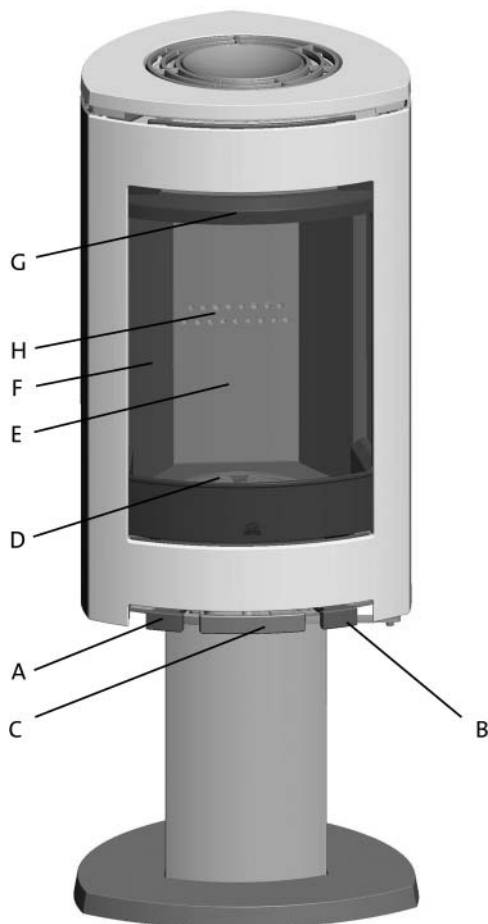


## 4.5 Control de los mandos

Tras instar el producto, compruebe siempre que los mandos de control se mueven con facilidad y funcionan correctamente.

Jøtul F 370 está equipada con los siguientes mandos:

Fig. 29



**Respiradero fig. 29 A**  
Empujado hacia dentro: cerrado  
Sin pulsar: abierto

**Respiradero de encendido, fig. 29 B**  
Empujado hacia dentro: cerrado  
Sin pulsar: abierto

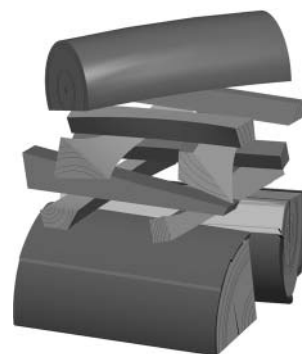
**Parrilla de cribado (el mismo asa que para el respiradero de encendido) (fig. 29 B).**

El asa derecha se pulsa hacia dentro y hacia afuera.  
**Asa de la puerta fig. 29 C:**  
se abre tirando del asa hacia fuera

## 4.6 Encendido inicial

- Abra el respiradero de aire y el respiradero de encendido tirando de los manillares (Fig. 29 A y B) hasta el tope. (Use un guante o algo similar para protegerse la mano en caso de que los manillares estén calientes).
- Coloque dos troncos en la parte inferior de la cámara de combustión y apile las astillas para encender en capas (fig. 30).
- Por último, ponga un tronco de tamaño medio en la parte superior de la pila.
- Ponga 2 ó 3 briquetas o astillas para encender debajo de la capa superior de astillas y encienda el fuego. **Nota: La altura máxima de la pila de madera debe estar justo debajo de los orificios horizontales (Fig. 29 H). No deben cubrirse los orificios.**
- Cierre el respiradero de encendido (Fig. 29 B) cuando la madera se haya encendido y arda bien.
- Cierre la puerta.
- Entonces podrá regular el régimen de combustión para obtener el calor que desee ajustando el respiradero (Fig. 29 A).
- Compruebe que se inicia la postcombustión (combustión secundaria). Se indica mediante llamas amarillas que bailan delante de los agujeros debajo de la placa deflectora.
- Si el caudal de aire es normal, podrá cerrar la puerta y el fuego se mantendrá por sí mismo.

Fig. 30



### Añadir madera

Avive la estufa con frecuencia pero añada solo una pequeña cantidad de leña en cada ocasión. Si la estufa está demasiado llena, el calor generado podría causar una elevada tensión en la chimenea. Añada combustible al fuego con moderación. Evite el fuego sin llama, pues es el que produce más contaminación. El fuego irá mejor cuando arda bien y el fuego que salga por la chimenea sea casi invisible.

## 4.7 Peligro de sobrecalentamiento

### La estufa no debe usarse nunca de manera que se sobrecaliente

Se produce sobrecalentamiento cuando hay demasiado combustible y/o demasiado aire y se produce demasiado calor. Un signo seguro de sobrecalentamiento es cuando partes de la estufa se ponen al rojo. Si sucede esto, reduzca de inmediato la abertura del respiradero.

*Solicite la ayuda de un profesional si sospecha que la corriente de la chimenea no es correcta (demasiada corriente o demasiado poca). Para más información, consulte «4.0 Instalación» (chimenea y tubo de tiro).*

# ESPAÑOL

## 4.8 Eliminación de la ceniza

Jøtul F 370 está equipado con una bandeja que facilita la eliminación de cenizas.

1. Esto debe ocurrir cuando la chimenea es fría.
2. Sacuda la ceniza para que caiga a través de la parrilla de la placa base a la bandeja para la ceniza. Utilice un guante o un trapo para sujetar el tirador de la bandeja para ceniza y retirar la ceniza.
3. Asegúrese de que la bandeja para ceniza no se llena hasta el punto de impedir que la ceniza caiga a la bandeja a través de la parrilla.

## 5.0 Uso diario

### 5.1 Funcionamiento

#### Olores al usar la estufa por primera vez

Cuando se usa la estufa por primera vez, puede emitir un gas irritante que huele ligeramente. Esto ocurre debido a que se seca la pintura. El gas no es tóxico, pero la habitación deberá ventilarse completamente. Deje que el fuego arda con mucha corriente hasta que haya desaparecido todo rastro del gas y no sea posible detectar humo ni olores.

#### Consejos de calentamiento

Nota: Los troncos que se hayan almacenado en el exterior o en una habitación fría deberán meterse al interior 24 horas antes de usarlos para que alcancen la temperatura ambiente.

Hay varias formas de calentar la estufa, pero siempre es importante tener cuidado con lo que introduce en ella. Consulte la sección sobre "Calidad de la madera".

#### Calidad de la madera

**Por madera de calidad nos referimos a los tipos más conocidos de madera, como abedul, picea y pino.**

**Los troncos deben secarse de forma que su contenido en humedad no supere el 20 %.**

Para esto, los troncos deben cortarse a finales del invierno. Deben partirse y apilarse de forma que se garantice una buena ventilación. Las pilas de madera deben estar cubiertas para proteger los troncos de la lluvia. Los troncos deben ponerse a cubierto a principios del otoño y apilarse para utilizarlos en el próximo invierno.

**Tenga cuidado especialmente de no usar nunca los siguientes materiales como combustible en su estufa:**

- Basura doméstica, bolsas de plástico, etc.
- Madera pintada o impregnada (*que es extremadamente tóxica*).
- Planchas de madera laminada.
- Restos de madera

*Pueden dañar el producto y también son contaminantes.*

**Nota: Nunca use gasolina, parafina, alcohol desnaturalizado o líquidos similares para encender el fuego. Puede sufrir lesiones graves y ocasionar serios daños al producto.**

## Madera

Jøtul F 370 tiene una producción de calor nominal de **5,5 kW**. Uso de madera, con la emisión de calor nominal: **Aprox. 1,9 Kg/h**. Otro factor importante para optimizar el consumo de combustible es que los troncos tengan el tamaño correcto. El tamaño de los troncos debe ser:

#### Astillas:

*Longitud: 30 cm*

*Diámetro: 2-5 cm*

*Cantidad por fuego: 6-8 trozos*

#### Leña (troncos partidos):

*Longitud: ca 20 - 30 cm*

*Diámetro: Aprox. 8 cm*

*Intervalos de adición de madera: cada 45 minutos aprox.*

*Tamaño del fuego: 1,4 kg*

*Cantidad por carga: 2 piezas*

**La emisión de calor nominal se alcanza cuando el respiradero de inyección de aire (fig. 29 A) está abierto aproximadamente el 100% y el asa del respiradero de encendido sacada aproximadamente 1-2 cm (fig. 29 B).**

## 6.0 Mantenimiento

### 6.1 Limpieza del cristal

El producto está equipado con un sistema de inyección de aire para el cristal. El aire se introduce a través del respiradero de la parte superior del producto y se desplaza hacia abajo a lo largo de la cara interior del cristal.

Aunque siempre se adhiere algo de hollín al cristal, la cantidad dependerá de las condiciones de tiro locales y del ajuste del respiradero de ventilación. La mayor parte de la capa de hollín se suele quemar cuando se abre completamente el respiradero de ventilación y arde un fuego vivo en la estufa.

**Un buen consejo!** Para la limpieza normal humedezca una toalla de papel en agua caliente y añádale cenizas de la cámara de combustión. Frote el cristal con la toalla de papel y, a continuación, enjuáguelo con agua limpia. Séquelo bien. Si es necesario limpiar el cristal más a fondo, recomendamos el empleo de un limpiacristales ( *siga las instrucciones de uso del envase*).

### 6.2 Limpieza y eliminación del hollín

Pueden acumularse depósitos de hollín sobre las superficies internas de la estufa durante su uso. El hollín es un buen aislante y, por lo tanto, reduce la producción de calor de la estufa. Si dichos depósitos de hollín se acumulan durante el uso del producto, pueden eliminarse fácilmente con el limpiador de hollín.

Para evitar que en la estufa se forme una capa de agua y de alquitrán, es necesario dejar regularmente que el fuego arda con fuerza. Para obtener la máxima producción calorífica del producto, es necesario limpiar el interior del producto una vez al año. Es una buena idea hacerlo cuando desholline la chimenea y los tubos de humos.

### 6.3 Deshollinar los tubos de humos a la chimenea

En determinadas estufas autoestables, la placa superior puede retirarse, deshollinando el tubo por la parte superior. En caso contrario, se deben deshollinar los tubos de humos a través de una trampilla de deshollinamiento del tubo de humos o a través de la puerta del producto. Deberá retirarse la placa deflectora.

### 6.4 Inspección de la estufa

Jøtul le aconseja que inspeccione personalmente la estufa de forma minuciosa después de deshollinar o limpiar. Compruebe si existen fisuras en las superficies visibles. Compruebe también que todas las uniones están selladas y que las juntas están bien colocadas. Las juntas que muestren signos de desgaste o deformación deben sustituirse.

Limpie a fondo las ranuras de la junta, aplique adhesivo cerámico (disponible en su proveedor Jøtul local) y presione sobre la junta para que encaje en posición. La unión se secará en poco tiempo.

### 6.5 Mantenimiento exterior

Tras algunos años de utilización es posible que el color de los **productos pintados** se altere. Debe cepillarse la superficie para limpiarla de partículas sueltas antes de aplicar la nueva pintura.

Los **productos esmaltados** deben limpiarse únicamente con un paño limpio y seco. No utilice agua y jabón. Las manchas pueden eliminarse con un líquido de limpieza (*un producto para limpiar hornos, etc.*).

## 7.0 Conservación

**Advertencia:** la modificación no autorizada del producto es ilegal. Utilice únicamente repuestos originales.

### 7.1 Sustitución del deflector/deflector de escape

*(Nota: tenga en cuenta que el uso de herramientas puede dañar las placas de vermiculita.)*

1. Levante el borde delantero de la placa deflectora e inclínela para sacarla (**fig. 29 G**). Retire los quemadores laterales (**fig. 29 F**) y el quemador posterior (**fig. 29 E**).
2. El deflector de escape de hierro fundido que está situado encima de la placa deflectora queda apoyado con la barra sobre los rebordes de la salida de humos posterior (**fig. 26 A**). Levante ligeramente el deflector de escape, tire hacia fuera, inclínelo ligeramente y retírelo.
3. Para volver a montar las piezas, siga el mismo procedimiento pero a la inversa.

### 7.2 Sustitución de los quemadores/placa base

*(Nota: tenga en cuenta que el uso de herramientas puede dañar las placas de vermiculita.)*

1. Levante el borde delantero de la placa deflectora e inclínela para sacarla. Retire los quemadores laterales (**fig. 29 F**) y el quemador posterior (**fig. 29 E**).
2. A continuación, levante la rejilla y la placa base y retírelas (**fig. 29 D**).
3. Para volver a instalarlos, realice este mismo procedimiento pero a la inversa.
4. Cuando vuelva a montar la parrilla y la placa base, asegúrese de que la barra de cribado que mueve la parrilla de cribado está introducida en la ranura del borde derecho de la parrilla. (Vea la **fig. 27 A**).

## 7.3 Sustitución del cristal lateral interior/exterior

1. Levante el borde delantero de la placa deflectora e inclínala para sacarla. Retire los quemadores laterales (fig. 29 F) y el quemador posterior (fig. 29 E).
2. El deflector de escape de hierro fundido que está situado encima de la placa deflectora queda apoyado con la barra sobre los rebordes de la salida de humos posterior (fig. 26 A). Levante ligeramente el deflector de escape, tire hacia fuera, inclínelo ligeramente y retírelo.
3. Retire la parrilla de cribado, la placa base y la bandeja de ceniza (fig. 29 D).

Fig. 31

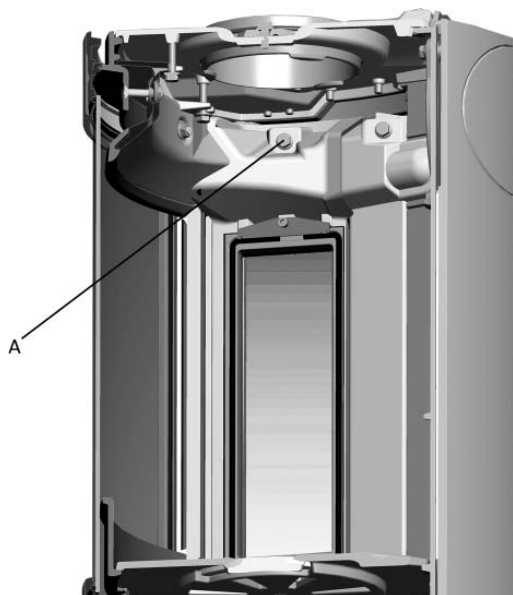
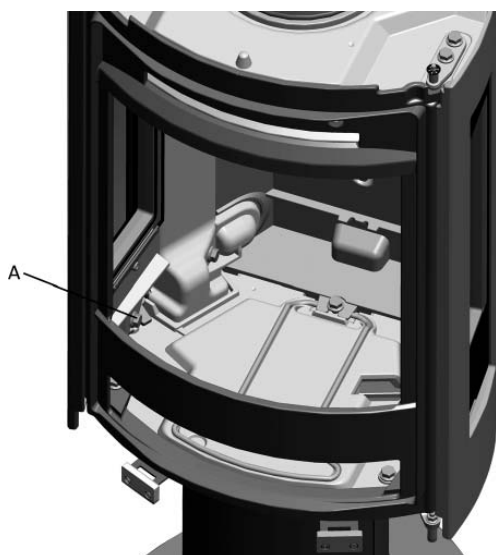


Fig. 32



4. Retire los tornillos superior e inferior (fig. 31 A & 32 A) e incline cuidadosamente el soporte del cristal junto con el cristal para sacarlo por la puerta. **Nota:** el soporte del cristal también mantiene el cristal exterior en su lugar.
5. Retire el cristal y, si es necesario, cambie las juntas. Si es necesario, cambie el cristal exterior.
6. Para volver a montar las piezas, siga el mismo procedimiento pero a la inversa.

## 8.0 Problemas de funcionamiento: solución de problemas

### Poco tiro

1. Compruebe la longitud de la chimenea y que cumple los requisitos y normativas nacionales. (Consulte también la información de la sección «2.0 Información técnica» y «4.0 Instalación» (Chimenea y tubo de humos) del manual de instalación.)
2. Compruebe que la sección transversal mínima de la chimenea corresponde a lo indicado en la sección «2.0 Información técnica» del manual de instalación.
3. Cerciórese que no hay ningún obstáculo que impida el escape de los gases: ramas, árboles, etc.
4. Si sospecha que el tiro de la chimenea es excesivo o escaso, solicite ayuda profesional para su medición y ajuste.

### La llama se extingue transcurrido un tiempo

1. Asegúrese de que la leña está suficientemente seca.
2. Averigüe si existe presión negativa en la vivienda, apague los sistemas de ventilación mecánicos y abra una ventana cercana a la estufa.
3. Compruebe que el respiradero está abierto.
4. Compruebe que la toma de la salida de humos no está obstruida con hollín.

### Se acumula una cantidad anormal de hollín en el cristal

Siempre se adherirá algo de hollín al cristal, pero la cantidad depende de:

1. Humedad del combustible.
2. Las condiciones de tiro locales.
3. Apertura del respiradero de ventilación.

La mayor parte del hollín se suele quemar cuando se abre completamente el respiradero de ventilación y arde un fuego vivo en la estufa. (Consulte la sección «6.1 Limpieza del cristal - un buen consejo!».)

## 9.0 Equipo opcional

### 9.1 Placas de decoración

Placas de decoración, cubierta para las ventanas laterales (2 unidades), pintura negra

- n° de catálogo 50037271 (350990)

Placas de decoración, cubierta para las ventanas laterales (2 unidades), pintura gris

- n° de catálogo 50037272 (350991)

Cubierta superior de saponita, una pieza de 25 mm

- n° de catálogo 50012988 (350992)

Cubierta superior de saponita, tres piezas de 25 mm

- n° de catálogo 50013013 (361011)

sustitución para 50012988 (350992) con chimenea de acero instalada

## 9.2 Decoración de cristal, superior, laterales y delantero

*(con instrucciones de montaje especiales)*

Juego de cristal para salida de humos trasera, pintura negra,  
- n° de catálogo 51012250 (350993)

Juego de cristal para salida de humos trasera, pintura gris,  
- n° de catálogo 51012251 (350994)

Juego de cristal para salida de humos superior, pintura negra,  
- n° de catálogo 51012252 (350995)

Juego de cristal para salida de humos superior, pintura gris,  
- n° de catálogo 51012253 (350996)

## 9.3 Conjunto giratorio

*Consulte las instrucciones de instalación correspondientes.*

Conjunto giratorio para Jøtul F 373, - n° de catálogo 51012254  
(350997)

## 9.4 Leñera

Pintura negra - n° de catálogo 50012995 (351160)

Pintura gris - n° de catálogo 50013037 (351161)

## 9.5 Puerta de hierro fundido para base (Jøtul F 371)

Pintura negra - n° de catálogo 51036917 (361115)

Pintura gris - n° de catálogo 51036918 (361116)

## 9.6 High Top

N.º cat. 51012304

## 9.7 Sistema de almacenaje de calor

N.º cat. 10026701

## 9.8 Saponita

Jøtul F 377 kit saponita, N.º cat. 21043545

Jøtul F 377 HT kit saponita, N.º cat. 21043546

## 9.9 Kit Convección

Jøtul F 370 C kit convección, laterales, BP, N.º cat. 50043647

Jøtul F 370 C kit convección, superior, BP, N.º cat. 50043642

## 10.0 Garantía

Jøtul AS ofrece a sus clientes una garantía de diez años, con derecho a devolver los elementos externos de hierro fundido si presentan defectos como resultado de materiales y/o mano de obra defectuosa después de la compra/instalación original de la estufa. El comprador tendrá derecho a devolver el producto, siempre que la estufa haya sido instalada de conformidad con las normativas y leyes vigentes, y de acuerdo con las instrucciones de instalación y funcionamiento de Jøtul.

### La garantía no cubre:

La instalación de accesorios opcionales, por ejemplo la rectificación del estado del tiro o el suministro de aire ni otras circunstancias fuera del control de Jøtul. La garantía no cubre los consumibles, como las placas de combustión, deflectores de humos, rejillas, ladrillos refractarios, amortiguadores ni juntas, puesto que se deterioran con el tiempo debido al uso normal. La garantía no cubre los daños provocados como resultado del uso de combustible inapropiado para encender el fuego, como restos de madera, madera pintada o impregnada, recortes de tablas, aglomerado, etc. Si se usa un combustible inapropiado puede producirse un sobrecalentamiento: la estufa se pone al rojo, lo que produce el descoloramiento de la pintura y el agrietamiento de las piezas de hierro fundido.

La garantía no será válida para los daños ocasionados mientras el producto está en tránsito entre el distribuidor y el lugar de entrega. La garantía tampoco será válida para los daños ocasionados por la utilización de piezas no originales.

## Indice generale

1.0	Conformità alle leggi .....	62
2.0	Dati tecnici .....	62
3.0	Sicurezza.....	63
4.0	Installazione.....	68
5.0	Utilizzo giornaliero .....	78
6.0	Manutenzione.....	78
7.0	Assistenza.....	79
8.0	Risoluzione dei problemi.....	80
9.0	Accessori opzionali.....	81
10.0	Garanzia .....	81

## 1.0 Conformità alle leggi

L'installazione di una stufa deve essere eseguita in conformità alle leggi e alle norme locali di ogni paese.

L'installazione del prodotto deve essere conforme a tutte le norme locali, incluse quelle che fanno riferimento a direttive europee o specifiche del paese.

L'installazione può essere effettuata solo dopo un'accurata ispezione da parte di personale qualificato.

Sul prodotto è applicata una targhetta, realizzata in materiale termoresistente e contenente dati e informazioni sull'identificazione e documentazione del prodotto.

## 2.0 Dati tecnici

Materiale:	Ghisa
Rivestimento esterno:	Vernice nera o grigia
Combustibile:	Legna
Lunghezza massima dei ceppi:	30 cm
Scarico fumi:	Superiore, posteriore
Dimensioni condotto dei fumi:	Ø150 mm/min. sezione trasversale 177 cm <sup>2</sup>

Peso approssimativo:	
- con base in ghisa:	circa 163 kg
- con base in calcestruzzo:	circa 194 kg
- con piedistallo in ghisa:	circa 156 kg
- con montante in ghisa:	circa 154 kg
- con base in ghisa con porta in vetro:	circa 165 kg
- con base in vetro:	circa 158 kg
- Jøtul F 377 con pietra ollare:	circa 220 kg
- Jøtul F 377 HT con pietra ollare:	circa 270 kg
- Jøtul F 377 con sistema di stoccaggio del calore e pietra ollare:	circa 330 kg
- con tre montanti:	circa 149 kg
Accessori opzionali:	

Piastre decorative - protezione per finestre laterali, inserto rotante (Jøtul F 373), pietra ollare - superiore, decorazione in vetro - superiore/laterale/ anteriore, contenitore per la legna, porta per vano porta legna in ghisa (Jøtul F 371), Parte superiore alta, pietra ollare per Jøtul F 377, pietra ollare per Jøtul F 377 HT, kit di convenzione, sistema di stoccaggio del calore. vedere fig. 1

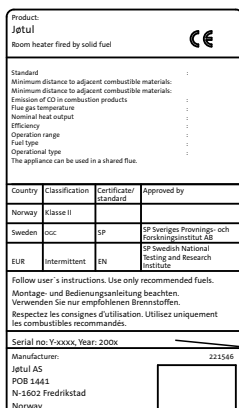
Dimensioni, distanze:

### Dati tecnici conformi alla normativa EN 13240

Potenza termica nominale:	5,5 kW
Massa di gas prodotta dai fumi:	5,9 g/sec
Tiraggio raccomandato della canna fumaria:	12 Pa
Rendimento:	73% @ 5,8kW
Emissione di CO (13% O <sub>2</sub> ):	0,12%
Temperatura dei gas prodotti dai fumi:	330° C
Tipo di funzionamento:	intermittente

Per combustione intermittente, in questo contesto, si intende il normale utilizzo del camino, ossia con aggiunta di combustibile non appena da quello precedente si è formata una quantità adeguata di braci.

Su tutti i nostri prodotti è applicata un'etichetta che indica il numero di serie e l'anno. Annotare questo numero dove indicato nelle istruzioni di installazione. Citare sempre questo numero di serie quando ci si rivolge al rivenditore o a Jøtul.



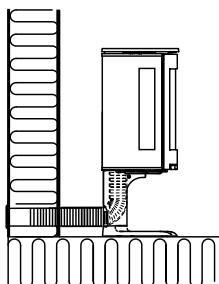
Serial no.

## Circolazione dell'aria

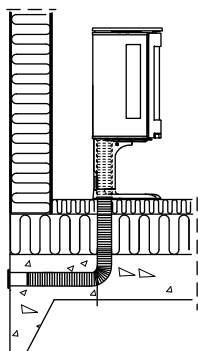
Il condotto per l'aria esterna può essere inserito direttamente in Jøtul F 370 Series attraverso:

- Un tubo flessibile di circolazione dell'aria dall'esterno/dalla canna fumaria (solo se la canna fumaria presenta un proprio condotto per l'aria esterna) diretto al connettore dell'aria esterna del prodotto.

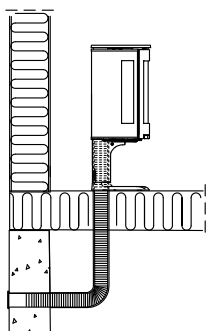
### Attraverso una parete esterna



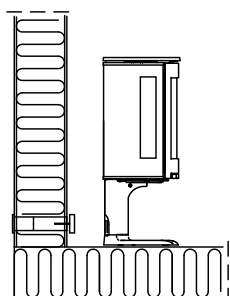
### Attraverso il pavimento e la piastra di terra



### Attraverso il pavimento e il basamento



### Indirettamente attraverso una parete esterna



## 3.0 Sicurezza

**Nota: per garantire prestazioni e sicurezza ottimali, le stufe Jøtul devono essere montate da un installatore qualificato.**

Qualunque modifica al prodotto da parte del distributore, installatore o consumatore può comportare un funzionamento imprevisto del prodotto e delle funzionalità di sicurezza. Lo stesso si applica all'installazione di accessori o di extra opzionali non forniti da Jøtul. Ciò può riguardare anche componenti essenziali per il funzionamento e la sicurezza del caminetto eventualmente smontati o rimossi.

In tutti i casi citati, il produttore non potrà essere ritenuto responsabile o punibile per il prodotto, rendendo nullo e non valido ogni reclamo.

### 3.1 Misure di prevenzione antincendio

Ogni utilizzo del caminetto ha in sé un certo elemento di pericolo. Pertanto, è necessario seguire attentamente le seguenti istruzioni:

- Le distanze minime di sicurezza in caso di utilizzo del caminetto sono fornite nella **fig. 1**.
- Assicurarci che gli arredi e altri materiali infiammabili non siano troppo vicini al caminetto. I materiali infiammabili non devono mai essere posizionati entro 1000 mm dal caminetto.
- Attendere l'estinzione del fuoco. Non spegnere mai le fiamme con acqua.
- Il caminetto acceso diventa caldo e può causare bruciate se toccato.
- Rimuovere la cenere solo con il caminetto freddo. La cenere può contenere braci calde, pertanto deve essere collocata in un contenitore ignifugo.
- La cenere deve essere collocata all'esterno o svuotata in un luogo in cui non rappresenterà un pericolo potenziale di incendio.

### In caso di incendio della canna fumaria

- Chiudere tutte le aperture e le prese d'aria.
- Tenere chiusa la porta del camino.
- Verificare la presenza di fumo in cantina e in soffitta.
- Chiamare i vigili del fuoco.
- Prima di utilizzare di nuovo il camino e la canna fumaria dopo un incendio, è necessario che vengano controllati da un tecnico specializzato che ne assicuri l'integrità e il corretto funzionamento.

## Jøtul F 370

Distanza minima dalla parete combustibile, fig. 1a

Collocamento	Dimensioni/distanze									
	a	b	c	d	e	f	g	h	i	
Modello base	440	1125	920	650	480	612	407	701	160	
Con piastre decorative, protezione per finestre laterali	340	982	777	550	380	612	407	601	160	
Con canna fumaria in acciaio semi isolati	440	1125	920	650	480	552	347	701	100	
Con decorazione in vetro, laterale	190	771	566	400	280	558	353	501	* 160	
Jøtul F 370 C (Prodotto con kit di convenzione con vetro, laterale, e canna fumaria in acciaio semi isolati)	150	742	537	380	400	524	319	641	50	
Jøtul F 377 (versione con pietra ollare - laterali e top)	250	915	710	502	400	539	334	647	50	

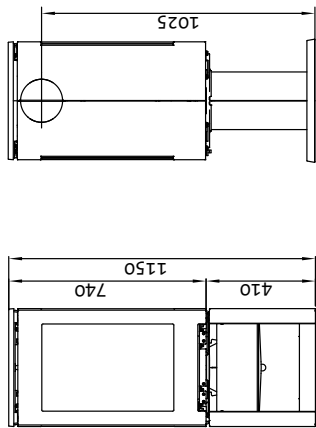
\* Se viene usata una canna fumaria in acciaio la misura sarà 100 mm.



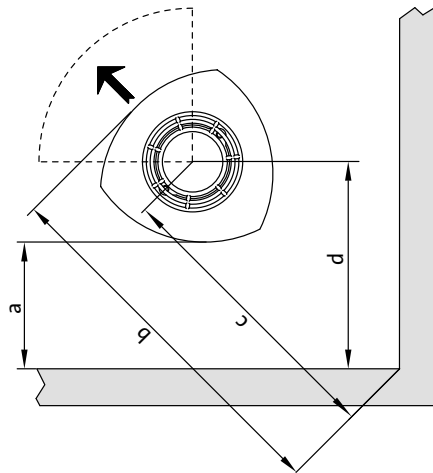
Fig. 1a

Jøtul F 371 / F 373 / F 374 / F 375 / F 376 / F 377 / F 379 / F 370 C

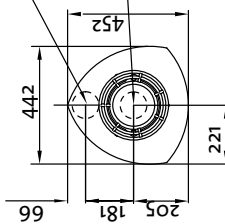
Distanza minima dalla parete combustibile.  
Consultare la tabella sotto.



Parete combustibile



Modello base:



Fori nel pavimento per l'aria esterna.

Ø 100 mm condotto

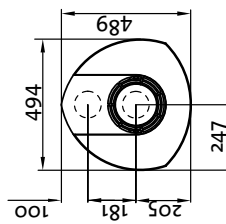
Jøtul F 371, F 374, F 375, F 376, F 377, F 379

Fori nel pavimento per l'aria esterna.

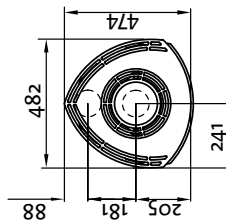
Ø 100 mm condotto

Jøtul F 373

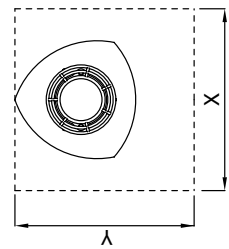
Jøtul F 377:



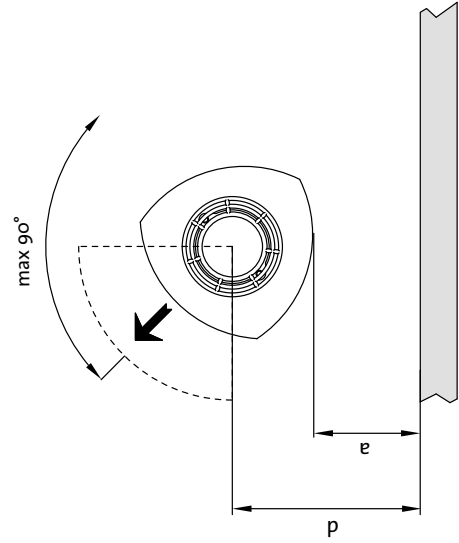
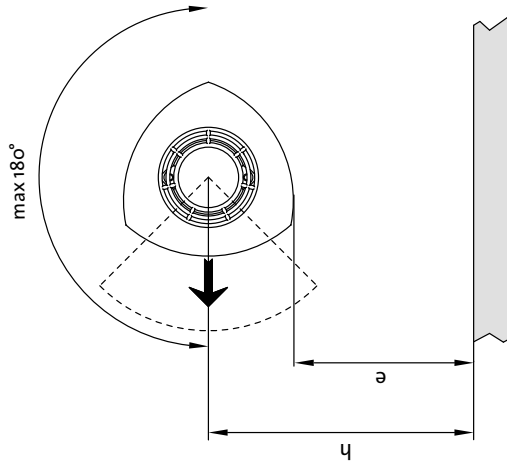
Jøtul F 370 C:



Dimensioni minime per la piastra di protezione del pavimento X/Y = in conformità alle leggi e alle normative nazionali.



Distanza dalla parete combustibile con piedistallo girevole.  
Consultare la tabella sotto.



## Jøtul F 370

Distanza minima dalla parete combustibile protetta da un muro tagliafuoco, fig. 1b

Collocamento	Dimensioni/ distanze																			
	a	b	c	d	e	f	g	h	i	j	k	l	m	n	o	p	q	r	s	t
Modello base	100	643	438	310	200	492	287	421	40	550	480	440	735	799	773	934	999	962	756	1156
Con piastre decorative, protezione per finestre laterali	100	643	438	310	200	492	287	421	40	550	380	340	735	669	659	934	884	841	556	930
Jøtul F372, F 375, F 376, F 379 con aria esterna attraverso una parete	100	643	438	310	200	552	347	421	100	550	-	-	795	-	-	994	-	-	-	-
Jøtul F 370 C (versione con kit di convenzione e canna fumaria in acciaio semi isolato)	100	671	466	330	200	524	319	441	50	550	400	200	888	-	807	956	-	897	-	-
Jøtul F 377 (versione con pietra ollare - laterali e top)	100	703	498	354	200	539	334	447	50	550	400	250	892	-	885	961	-	960	-	-

\* Se viene usata una canna fumaria in acciaio la misura sarà 100 mm.

Fig. 1C

Distanza minima dal muro per installazione di Jøtul F 375, F 376 e Jøtul F 379 con presa d'aria dall'esterno attraverso il muro.

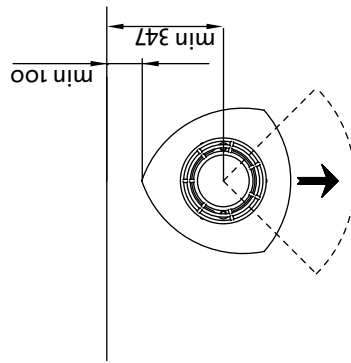


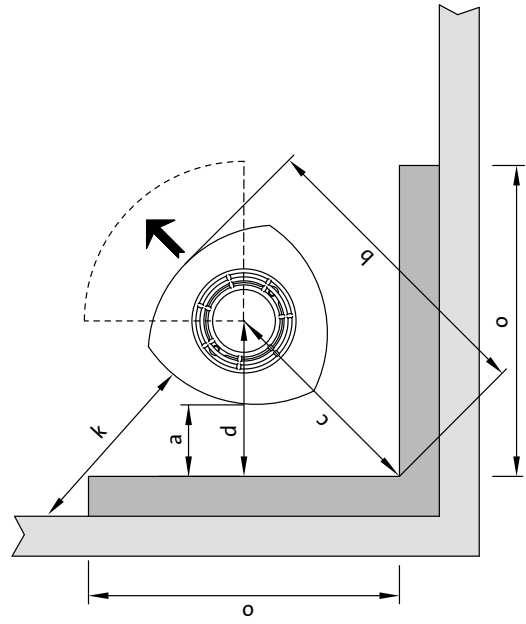
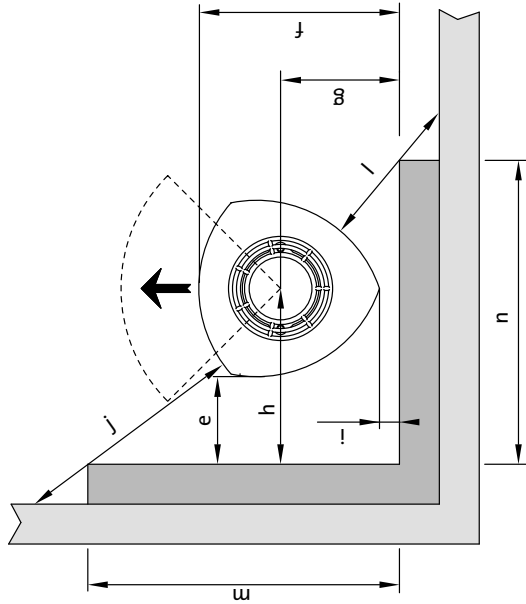
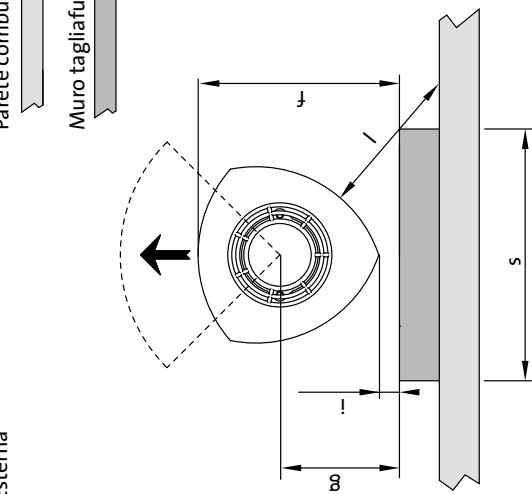
Fig. 1b

Jøtul F 371/ F 373/ F 374/ F 375/ F 376/ F 377/ F 379

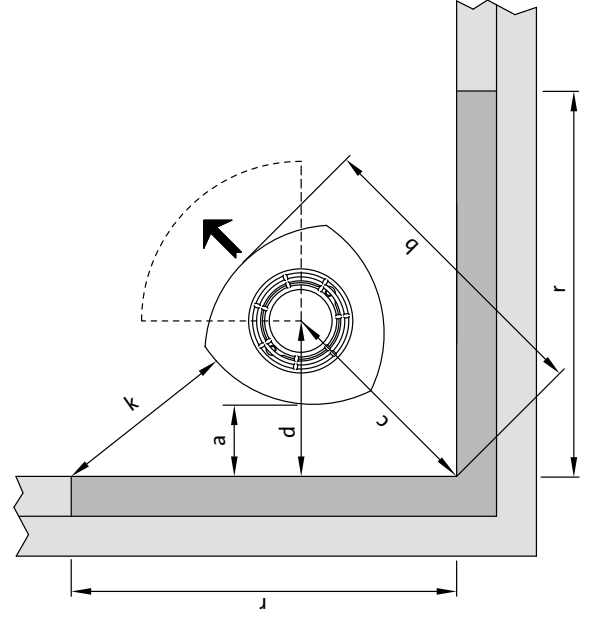
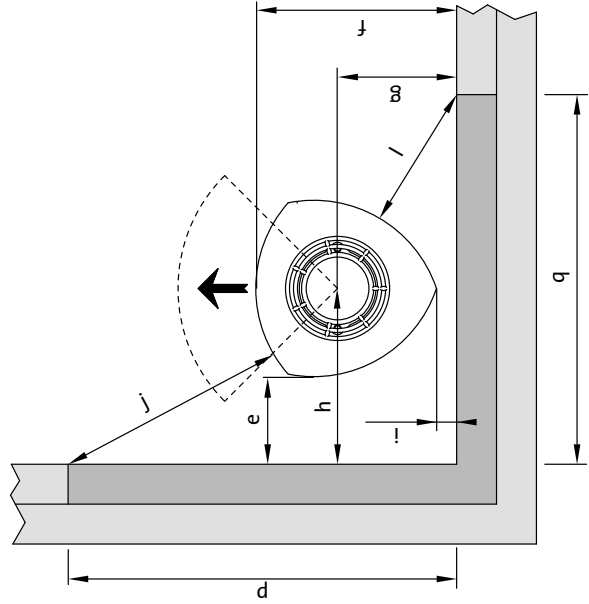
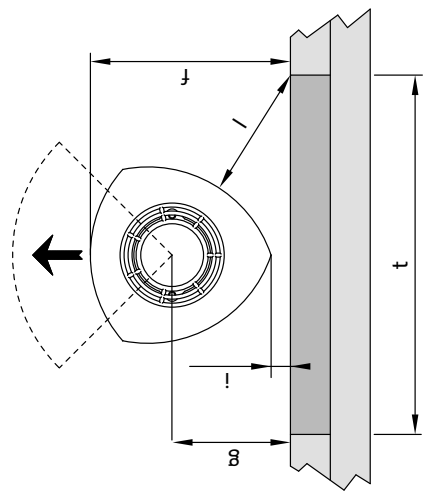
Esterna

Parete combustibile

Muro tagliafuoco



Integrata



# ITALIANO

## 3.2 Pavimento

### Basamento

È importante accertarsi che le dimensioni dei basamenti siano adatte al camino. Cf. «2.0 Dati tecnici» per le specifiche sul peso. Durante l'installazione, si consiglia di rimuovere la pavimentazione non fissata al sottofondo (pavimento antivibrante).

### Requisiti per la protezione del pavimento di legno

Jøtul F 370 Series (eccetto Jøtul F 374) è dotato di uno scudo termico che protegge il pavimento dal calore. Il prodotto è dotato di una protezione aggiuntiva per il pavimento pertanto può essere direttamente appoggiato sul pavimento anche se di legno.

Eventuali pavimentazioni in materiali infiammabili come linoleum, moquette, ecc. devono essere rimosse da sotto la piastra di protezione del pavimento.

### Requisiti per la protezione di pavimento infiammabile davanti alla stufa

La piastra anteriore deve essere conforme alle leggi e alle norme nazionali.

Contattare le autorità edili locali in relazione alle disposizioni e ai requisiti di installazione.

## 3.3 Pareti

### Distanza da pareti di materiale infiammabile

È consentito l'utilizzo con condotti del fumo non isolanti con la distanza dalla parete di materiale infiammabile descritta nella fig. 1.

## 3.4 Soffitto

La distanza minima tra la stufa e il soffitto in materiale infiammabile deve essere almeno di 1000 mm.

## 4.0 Installazione

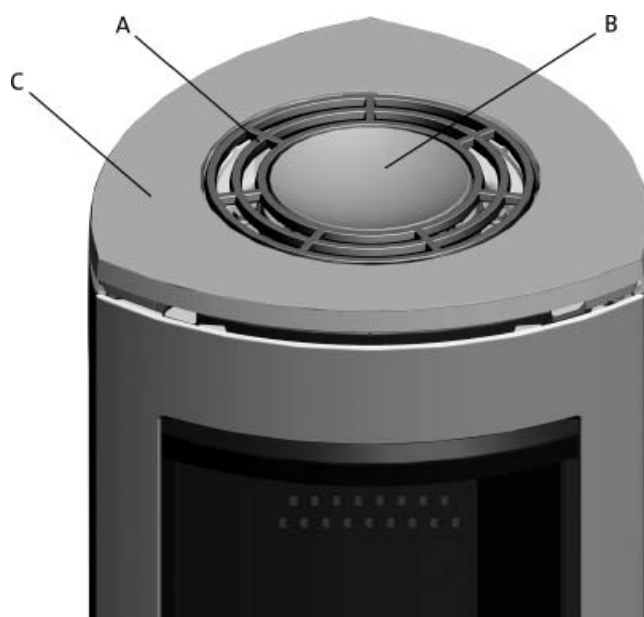
**Nota importante!** Prima di procedere all'installazione, ispezionare la stufa e accertarsi che non sia danneggiata.

**Il prodotto è pesante. Sarà necessario chiedere aiuto per installare e sistemare la stufa in posizione.**

### 4.1 Per installazione

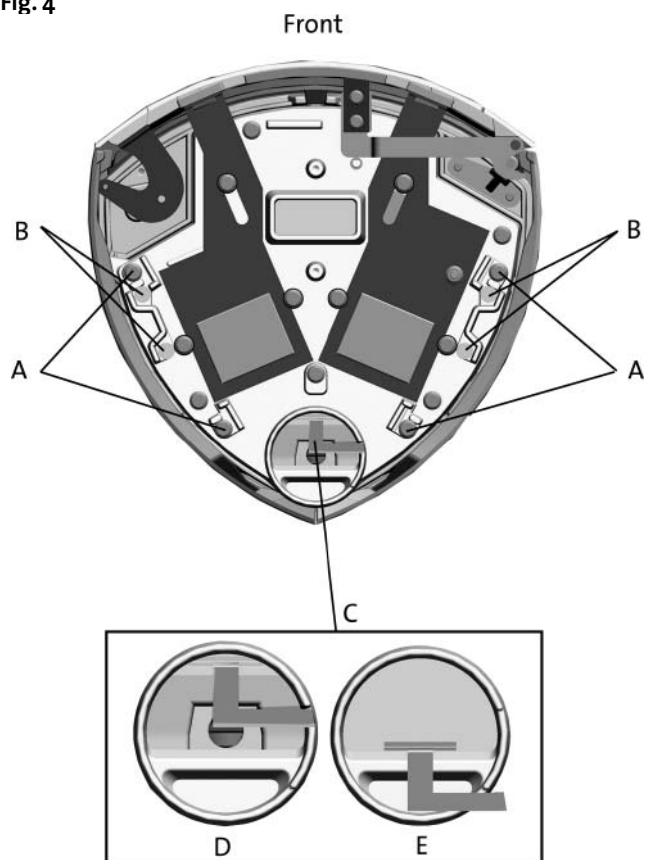
1. Il prodotto standard viene fornito in due imballaggi: uno con il caminetto e l'altro con la base opzionale in ghisa/calcestruzzo/vetro o il piedistallo in ghisa.
2. Eliminato l'imballo del prodotto, rimuovere le piastre refrattarie, il parafiamma, il deflettore di aspirazione, la piastra di base, il ceneraio e la grata perforata. Rimuovere anche le piccole piastre refrattarie laterali e la guarnizione del condotto del fumo che sono nel ceneraio.

Fig. 3



3. Sollevare la piastra superiore con la griglia superiore (fig. 3 A) e la vaschetta (fig. 3 B).
4. Ispezionare il prodotto per assicurarsi che sia privo di danni e che le manopole di regolazione funzionino (fig. 29 A, B e C).
5. Se si utilizza lo scarico posteriore del condotto del fumo, praticare dei fori (fig. 5 A) nelle coperture del condotto prima di rimuoverle.
6. Posizionare il blocco di legno (fig. 5 B) che fissa i deflettori di aspirazione in modo da sostenere le piastre laterali quando vengono rimosse le coperture.
7. Stendere il cartone di imballaggio sul pavimento. Reclinare con cautela la stufa.

Fig. 4



8. Se si utilizzerà l'inserto decorativo in vetro (accessori opzionali), occorre rimuovere le 4 viti a testa incassata sul fondo (fig. 4 B), con l'ausilio della chiave fornita con l'inserto decorativo in vetro.

## 4.2 Assemblaggio

### Jøtul F 371 - La base in ghisa

Nota: In caso di collegamento del tubo flessibile attraverso un foro nel pavimento, non estrarre le piastre di copertura rimovibili.

Fig. 5



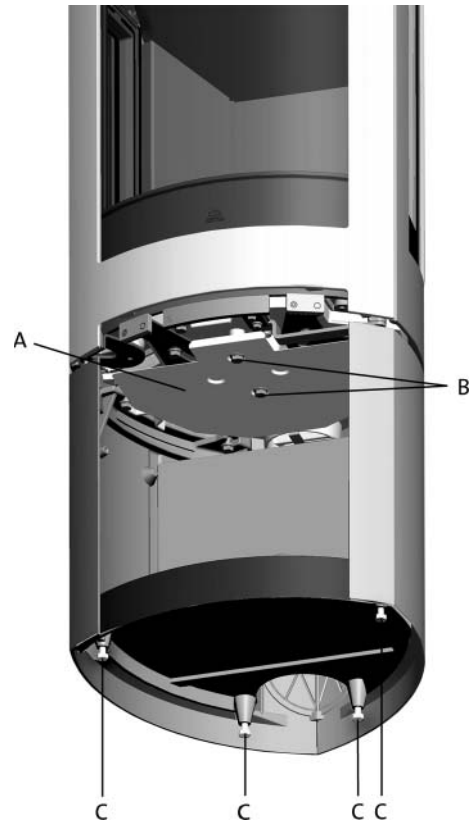
1. Per collegare il tubo flessibile da  $\varnothing$  100 mm, preposto all'immissione di aria esterna, alla presa d'aria (fig. 4 C) sotto la camera di combustione, praticare un foro (fig. 5 C) nelle coperture prima di rimuoverle. Nota: al momento di rimuovere le coperture, verificare che la piastra posteriore nella base (fig. 6 A) sia posizionata.

Fig. 6



2. Rimuovere il rack e la piastra posteriore (**fig. 6 A**) nella base. Controllare che la maniglia all'interno della presa d'aria esterna (**fig. 4 D**) sia nella posizione corretta.
3. Assemblare la base con la camera di combustione, con l'ausilio delle 4 viti (M8x30mm) del sacchetto (**Fig. 4 A**).
4. Con un assistente sollevare con cautela il prodotto.

Fig. 7



5. Regolare il prodotto utilizzando le 4 viti di regolazione (cfr. **fig. 7 C**).
6. Infilare il tubo flessibile attraverso il foro e fissarlo sull'uscita con l'ausilio di una fascetta stringitubo. **N.B.** Accertarsi che il tubo flessibile sia sufficientemente lungo per evitare il ricorso a giunti.
7. Per proteggere la zona della base dal calore sviluppato dal prodotto, è necessario utilizzare lo scudo termico fornito (**fig. 7 A**). Fissarlo con le 2 viti in dotazione come mostrato nella **fig. 7 B**.
8. Rimontare il rack e la piastra posteriore nella base.

## Jøtul F 373 - La colonna

**Importante:** Se è necessario montare l'inserto rotante, si consiglia di farlo in questa fase, prima di fissare il piedistallo al focolare. Vedere le istruzioni di montaggio che accompagnano l'inserto rotante.

Fig. 11



1. Regolare il prodotto utilizzando le 3 viti di regolazione (fig. 11 A).
2. Assemblare la colonna sulla piastra inferiore del focolare con l'ausilio delle 4 viti (fig. 4 A).
3. Se si utilizzerà l'immissione di aria esterna attraverso la presa d'aria esterna, ora il tubo flessibile, 100 mm di diametro, viene collegato alla presa d'aria sul prodotto (fig. 4 C).
4. Portare in posizione estratta la maniglia nella presa d'aria esterna (fig. 4 D).
5. Fissare il flessibile alla presa d'aria esterna con l'ausilio di una fascetta stringitubo. **N.B.** Accertarsi che il tubo flessibile sia sufficientemente lungo per evitare il ricorso a giunti.
6. Se l'aria esterna verrà immessa attraverso il pavimento, il tubo flessibile viene prelevato attraverso la rondella flessibile (fig. 11 B) sul lato inferiore del piedistallo. Se l'aria esterna verrà immessa dal pavimento, posizionare la guarnizione della colonna sul lato inferiore, in prossimità dell'apertura. **NOTARE: l'apertura è situata al centro del piedistallo/canna fumaria.**
7. Portare nella posizione arretrata la maniglia nella presa d'aria esterna (cfr. fig. 4 E).
8. Con un assistente sollevare con cautela il prodotto e posizionarla direttamente sopra la presa d'aria esterna.

**Importante:** Verificare che la maniglia nella presa d'aria esterna si trovi in posizione estratta se l'aria esterna non deve attraversare il piedistallo.

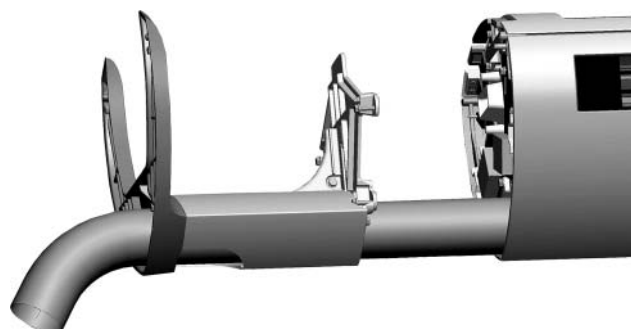
## Jøtul F 374 - Montante in ghisa

Per immettere aria attraverso la presa d'aria esterna, collegare un tubo flessibile, Ø 100 mm, alla presa d'aria esterna (fig. 4 C) sul prodotto.

### Installazione con aria esterna

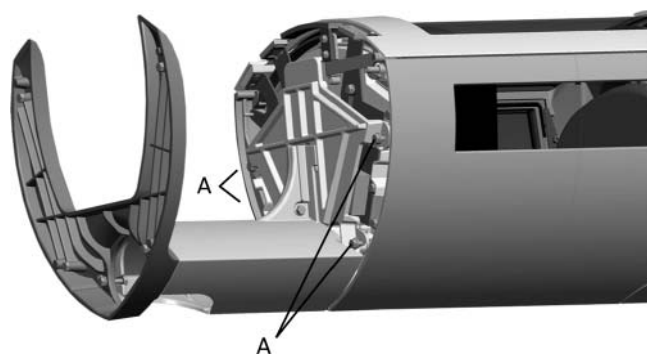
1. Portare la leva posta sulla presa d'aria esterna in posizione avanzata (fig. 4 D).
2. Fissare il tubo flessibile alla presa d'aria esterna usando una fascetta stringitubo. **Nota:** accertarsi che il tubo flessibile sia sufficientemente lungo per evitare il ricorso a giunti.

Fig. 12



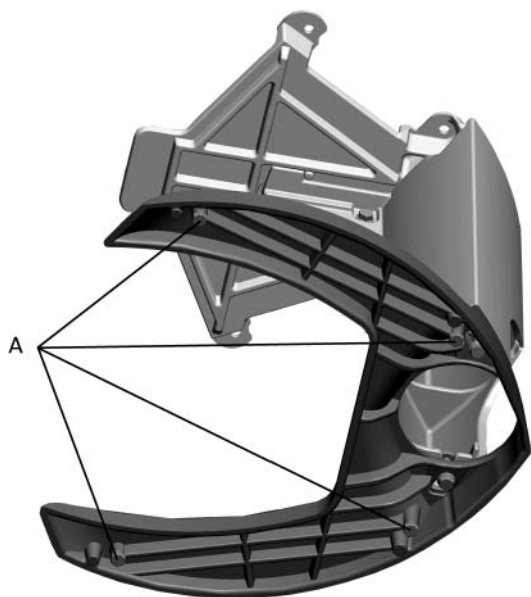
3. Spostare il montante in ghisa verso la camera di combustione, così da far passare il tubo flessibile dell'aria esterna attraverso il montante e, se applicabile, attraverso l'apertura nella parte posteriore (fig. 12).

Fig. 13



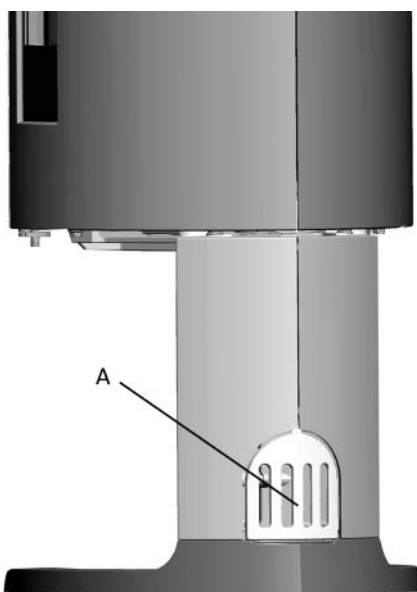
4. Fissare la base alla camera di combustione usando le 4 viti (M8 x 30 mm) contenute nel sacchetto (fig. 13 A).
5. Con l'aiuto di un assistente, sollevare con cautela il prodotto e posizionarlo correttamente sopra l'alimentazione dell'aria esterna.

Fig. 14



6. Se necessario, regolare l'altezza del prodotto tramite le viti di regolazione poste sotto il montante (fig. 14 A).

Fig. 15



7. Riposizionare il coperchio per l'alimentazione dell'aria esterna (fig. 15 A).

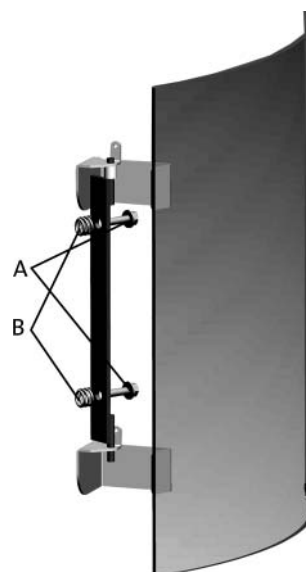
### Installazione senza aria esterna

1. Fissare la base alla camera di combustione usando le 4 viti (M8 x 30 mm) contenute nel sacchetto (fig. 13 A).
2. Con l'aiuto di un assistente, sollevare con cautela il prodotto e posizionarlo correttamente sopra l'alimentazione dell'aria esterna.
3. Se necessario, regolare l'altezza del prodotto tramite le viti di regolazione poste sotto il montante (fig. 14 A).
4. Riposizionare il coperchio (fig. 15 A).

### Jøtul F 375 - Base in ghisa con porta in vetro

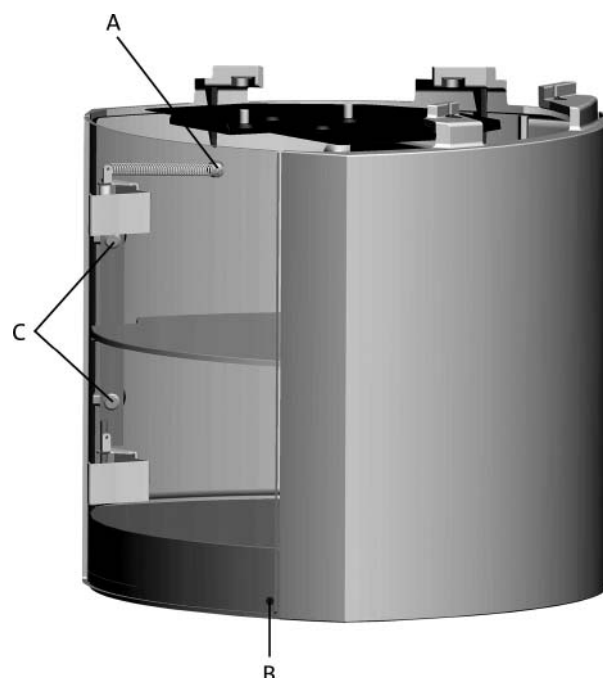
1. Montare la base in ghisa come descritto al punto Jøtul F 371 - Base in ghisa.

Fig. 16



2. Fissare il cardine per la porta in vetro alla base mediante le viti M6 x 20 mm, contenute nel sacchetto per la porta in vetro (fig. 16 A).
3. Prima di serrare le viti, inserire la molla tra i fori filettati e il cardine (fig. 16 B).

Fig. 17



4. Avvitare saldamente l'altra estremità della molla (fig. 17 A).
5. Fissare l'apposito ammortizzatore all'interno della porta in vetro, nell'angolo in basso a destra (fig. 17 B).

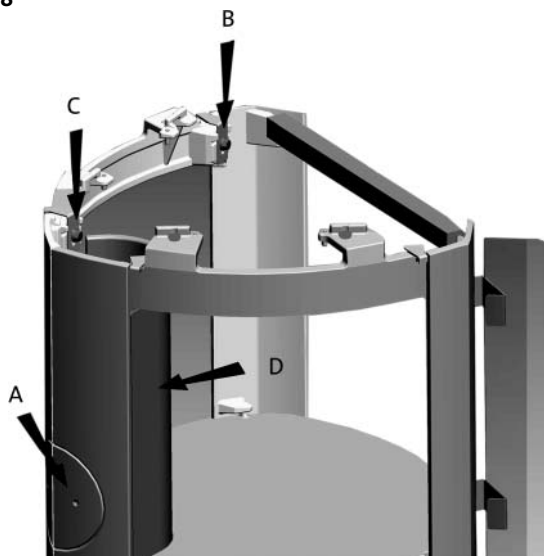
**Nota:** per un corretto posizionamento della porta, la distanza tra la porta e la base deve risultare uniforme. Se necessario, regolare la porta avvitando o svitando le due viti (fig. 17 C).



## Jøtul F 376 – Base in vetro

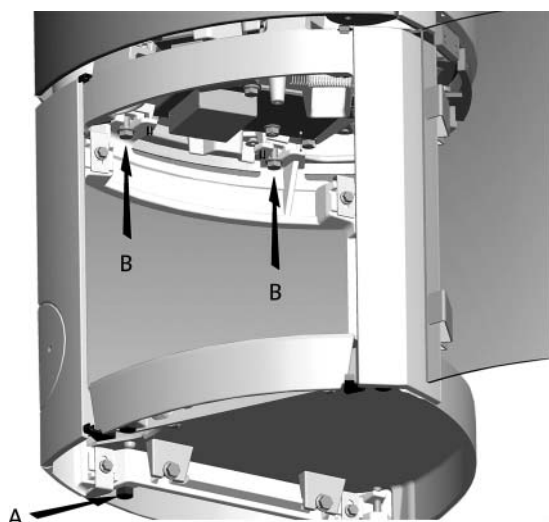
Nota: in caso di collegamento del tubo flessibile attraverso un foro nel pavimento, non estrarre le piastre di copertura removibili (Fig. 18 A).

Fig. 18



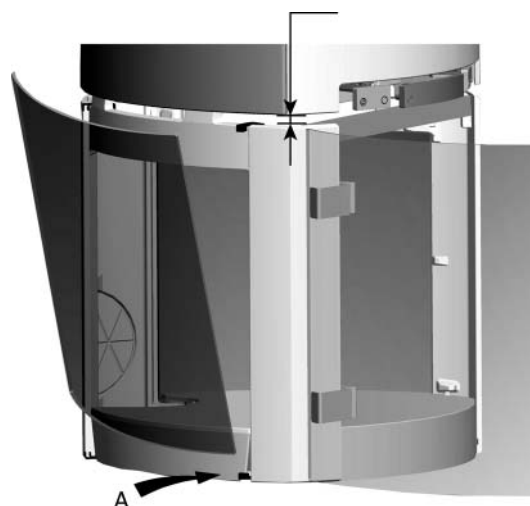
1. Allentare le viti che sostengono le clip superiori del vetro su ciascun lato (Fig. 18 B e C). Controllare che la leva posta sulla presa d'aria esterna sia in posizione avanzata (Fig. 4 D).
2. In caso di collegamento di un tubo flessibile ( $\varnothing$  100 mm) per l'alimentazione dell'aria esterna alla presa d'aria esterna/scarico (Fig. 4 C) sotto la camera di combustione, iniziare scavando un foro (Fig. 18 A) nelle piastre di copertura removibili prima di estrarle.  
Nota: in fase di estrazione delle piastre di copertura, lasciare in posizione la piastra posteriore nella base (Fig. 18 D).
3. Rimuovere la piastra posteriore (Fig. 18 D) nella base.

Fig. 19



4. Posizionare correttamente la base sulla piastra di protezione del pavimento (se presente). Livellare il prodotto usando le 4 viti di regolazione (Fig. 19 A).
5. Fissare la base alla camera di combustione usando le 4 viti (M8 x 30 mm) contenute nel sacchetto (Fig. 19 B).
6. Con l'aiuto di un assistente, sollevare con cautela il prodotto.
7. Regolare la porta in vetro con le viti (se necessario), come mostrato in Fig. 17 C. Per un corretto posizionamento della porta, la distanza tra la porta e la base deve risultare uniforme.

fig. 20



8. Installare i pannelli laterali in vetro posizionandoli nelle clip inferiori del vetro (Fig. 20 A). Sollevare le clip superiori e premerle in basso sul vetro laterale. Verificare la presenza di uno spazio libero uniforme tra il vetro laterale e la piastra laterale sul lato anteriore e posteriore. Serrare la vite anteriore per il vetro laterale (Fig. 18 B). La vite posteriore (Fig. 18 C) deve essere allentata quanto basta per consentire alla clip in vetro di essere rialzata senza rimuovere la vite (ciò semplifica un'eventuale sostituzione futura del vetro).
9. Tirare il tubo flessibile (se presente) attraverso un foro nel pavimento o il retro della base (Fig. 18 A) e fissarlo allo scarico ricorrendo a una fascetta.  
**Nota: verificare che il tubo sia lungo abbastanza da evitare il ricorso a giunti.**
10. Riposizionare la piastra posteriore (Fig. 18 D).
11. Per proteggere la zona della base dal calore sviluppato dal prodotto, è necessario utilizzare lo scudo termico fornito (fig. 7 A). Fissarlo con le 2 viti in dotazione come mostrato nella fig. 7 B.

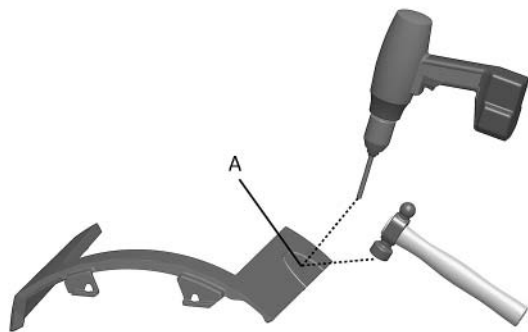
## Jøtul F 377 con pietra ollare

Consultare le istruzioni di installazione separate, n. cat. 10043560.

## Jøtul F 379 con tre montanti

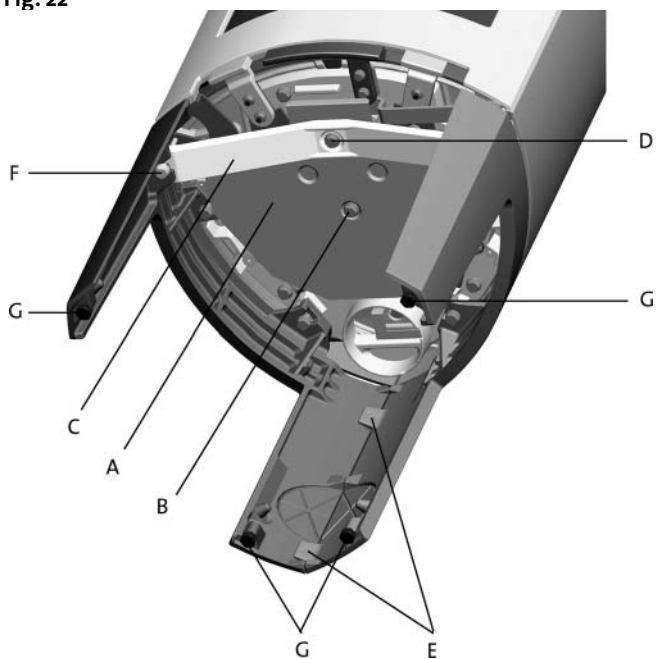
**Nota!** In caso di collegamento del tubo flessibile attraverso un foro nel pavimento, non estrarre le piastre di copertura rimovibili (fig. 21 A).

Fig. 21



1. In caso di collegamento di un tubo flessibile ( $\varnothing$  100 mm) per l'immissione dell'aria esterna nella presa d'aria (Fig. 4 C) sotto la camera di combustione, praticare un foro (Fig. 21 A) nelle piastre di copertura rimovibili prima di estrarle. **Nota!** Collocare le parti su una superficie idonea prima di estrarre le piastre di copertura.

Fig. 22

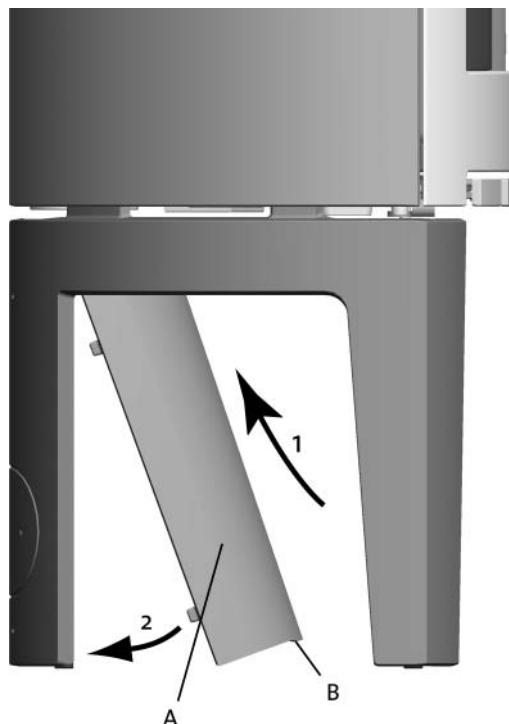


2. Lo scudo termico in dotazione deve essere utilizzato per proteggere la base dal calore irradiato dal prodotto (Fig. 22 A). Fissarlo innanzitutto con una vite (Fig. 22 B).
3. Posizionare l'elemento di collegamento (Fig. 22 C) e fissarlo con una vite (Fig. 22 D) senza serrare.
4. Fissare la base alla camera di combustione usando le 4 viti (M8 x 30 mm) contenute nel sacchetto (Fig. 4 A).
5. Assemblare i montanti sul bordo posteriore, avvitando le 2 viti posizionate nei relativi fori (Fig. 22 E).
6. Fissare l'elemento di collegamento (Fig. 22 C) con una vite (Fig. 22 F) e un dado a entrambe le estremità.
7. Con l'aiuto di un assistente, sollevare con cautela il prodotto.
8. Livellare il prodotto servendosi delle 4 viti di regolazione (Fig. 22 G).
9. Se i montanti non sono allineati correttamente, allentare le viti (Fig. 22 F) su ciascun lato. Regolare i montanti e serrare nuovamente le viti.

10. Fissare la vite (fig. 22 D).

11. Inserire il tubo flessibile nel foro e collegarlo all'uscita con una fascetta stringitubo. **Nota!** Accertarsi che il tubo flessibile sia sufficientemente lungo per evitare il ricorso a giunti.

Fig. 23



12. Riposizionare la protezione (Fig. 23 A). Assicurarsi che il perno (sporgenza) B sia rivolto verso il basso.

### 4.3 Canna fumaria e condotto

- La stufa può essere connessa a una canna fumaria e a un condotto dei fumi che siano approvati per stufe a combustibile solido con temperatura del gas prodotto dal fumo specificato nella sezione «2.o Dati tecnici».
- La sezione trasversale della canna fumaria deve avere almeno le stesse dimensioni della sezione trasversale del condotto. Per calcolare la sezione trasversale corretta della canna fumaria, vedere la sezione «2.o Dati tecnici».
- È possibile collegare più stufe a combustibile solido alla stessa canna fumaria, a condizione che la sezione trasversale della canna fumaria sia sufficientemente ampia.
- Il collegamento con la canna fumaria deve essere effettuato in conformità alle istruzioni di installazione fornite dal produttore della stessa.
- Montare e posizionare provvisoriamente la stufa, senza praticare alcun foro nella canna fumaria, in modo da individuare la corretta posizione della stufa e del foro sulla canna fumaria. Per le dimensioni minime, vedere fig. 1.
- Assicurarsi che il condotto sia inclinato verso l'alto, verso la canna fumaria.
- Utilizzare un condotto provvisto di portello che consenta di effettuarne la pulizia.

È particolarmente importante che i collegamenti siano abbastanza flessibili. Ciò serve a impedire che un assestamento nell'installazione possa causare la formazione di crepe.

**Il tiraggio della canna ; vedere anche le sezioni «2.o Dati tecnici». Se il tiraggio è troppo forte, è possibile controllarlo installando e azionando una valvola di tiraggio.**

### Assemblaggio del condotto dei fumi con presa superiore

Il prodotto viene fornito dal fabbricante con lo scarico dei fumi predisposto per l'uscita posteriore.

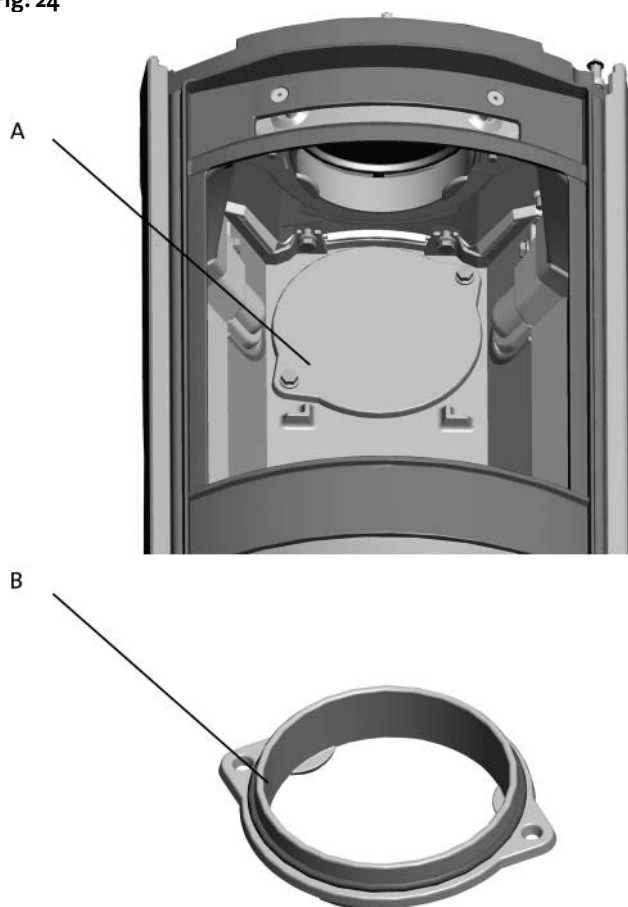
1. Applicare la piastra superiore (fig. 3 C) sul prodotto.
2. Farsi assistere per il sollevamento della griglia superiore (fig. 3 A) e per trattenerla durante il fissaggio del condotto dei fumi.
3. Infilare il condotto dei fumi attraverso la grata della piastra superiore e posizionarlo sullo scarico fumi dell'uscita superiore.
4. Serrare bene con la guarnizione.

### Assemblaggio del condotto dei fumi con presa posteriore

Il prodotto viene fornito dal fabbricante con lo scarico dei fumi predisposto per l'uscita posteriore. Se si desidera un'uscita posteriore, procedere come segue:

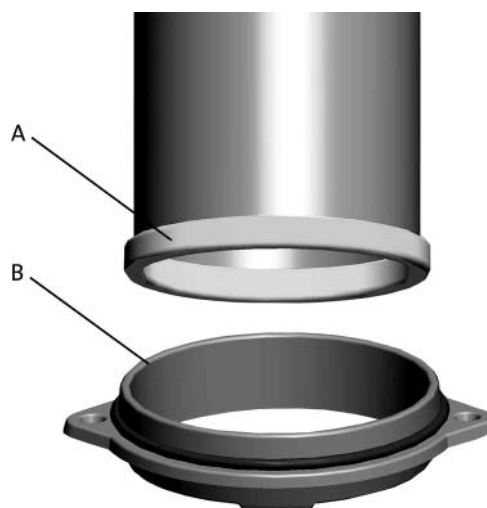
1. Orientare il prodotto nella posizione corretta (vedere fig. 1).

Fig. 24



2. Quando si passa all'uscita posteriore, lo scarico fumi viene svitato dall'uscita superiore (fig. 24 B).
3. Svitare la copertura dell'uscita posteriore dall'interno della camera di combustione (fig. 24 A).

Fig. 25



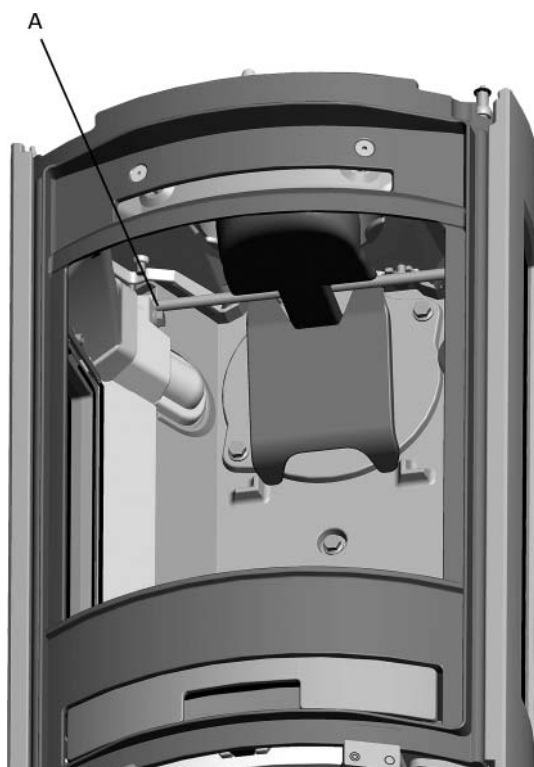
4. Posizionare la guarnizione all'estremità del condotto del fumo (fig. 25 A).
5. Fissare lo scarico del fumo (fig. 25 B) all'estremità del condotto, munito di guarnizione.
6. Montare il condotto e lo scarico del fumo dall'interno della camera di combustione e fissare lo scarico con viti M8x30 mm. **N.B.: Se il tubo fumi è più lungo di 350 mm deve essere incastrato all'uscita tubo fumi dall'esterno del prodotto.**
7. Fissare la copertura sull'uscita superiore con le viti di fissaggio dello scarico fumi. (Fig. 24)

**Nota importante! Un collegamento corretto ed ermetico è molto importante per il funzionamento corretto del prodotto.**

# ITALIANO

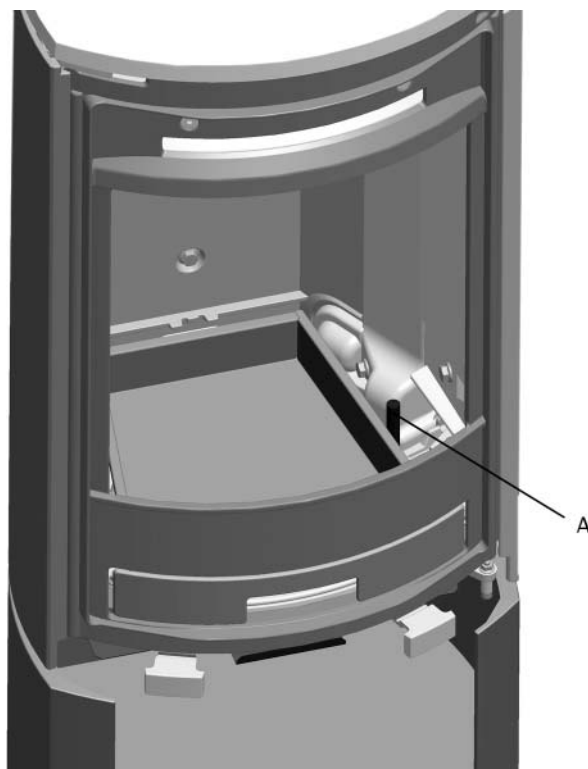
## 4.4 Montaggio del prodotto

Fig. 26



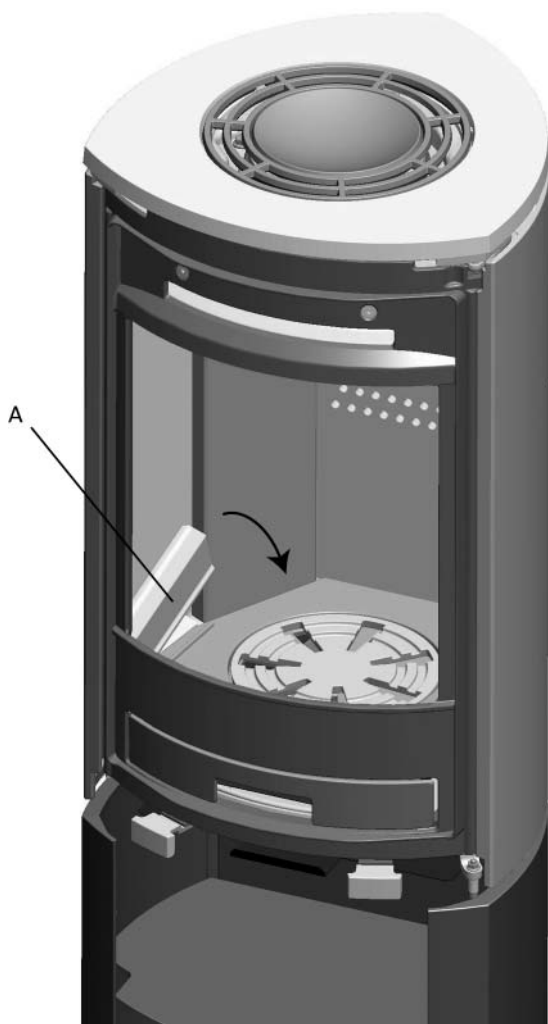
1. Posizionare il parafiamma con la barra nella scanalatura sui sostegni (**fig. 26 A**).
2. Passare la piastra di base attraverso l'apertura e posizionarla sul fondo.

Fig. 27



3. Posizionare in sede la grata perforata sulla piastra di base. Verificare che la fessura della grata perforata sul lato destro sia inserita nella barra di setacciatura (**fig. 27 A**).
4. Posizionare il ceneraio nella parte inferiore del prodotto.
5. Posizionare la piastra refrattaria posteriore nella scanalatura posteriore della piastra di base.
6. Posizionare le piastre refrattarie laterali su ciascun lato nelle scanalature laterali della piastra di base. Avvicinare il parafiamma e posizionarlo in modo che poggi sulle piastre refrattarie laterali e posteriori.
7. Poggiare il parafiamma sulle piastre refrattarie.

Fig. 28



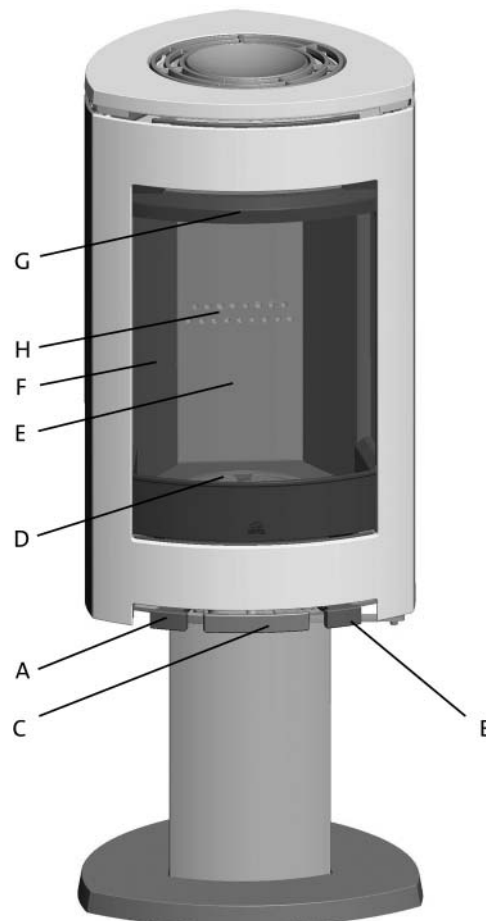
8. Posizionare le piccole piastre refrattarie (**fig. 28 A**) nella scanalatura della piastra di base sotto i vetri laterali.
9. Sostituire la piastra superiore con la griglia superiore e la vaschetta.
10. La placca contenente i dati del prodotto che si trova nel cassetto cenere deve essere posizionata al di sotto della camera di combustione.

## 4.5 Comandi di controllo

Quando il prodotto è installato, verificare sempre i dispositivi di controllo che devono muoversi con facilità e funzionare in maniera soddisfacente.

La stufa Jøtul F 370 è dotata dei seguenti dispositivi di controllo:

Fig. 29



### Preso d'aria fig. 29 A

In dentro: chiusa  
In fuori: aperta

### Valvola di accensione, fig. 29 B

In dentro: chiusa  
In fuori: aperta

### Grata perforata (stessa maniglia della valvola di accensione) (fig. 29 B)

La maniglia di destra viene spinta in dentro e tirata in fuori

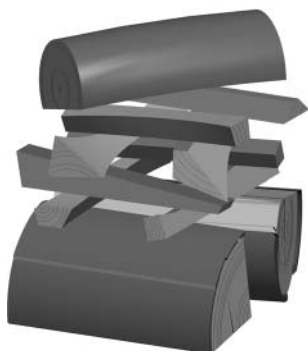
### Maniglia della porta fig.29 C:

Per aprire, tirare la maniglia.

## 4.6 Accensione iniziale

- Aprire la presa d'aria spostandola tutta a destra e la valvola di accensione estraendo completamente la maniglia (fig. 29 A e B). Se necessario, tenere leggermente aperta la porta. (quando la maniglia è calda è opportuno utilizzare un guanto).
- Collocare due ceppi di medie dimensioni su ciascun lato della base (fig. 30). **N.B.** Al fine di evitare che il vetro si copra di fuliggine, è importante che i ciocchi non vengano sistemati in prossimità del vetro sul prodotto.
- Sistemare tra la legna dei fogli di giornale appallottolati oppure dei trucioli, aggiungervi alcune fascine disposte a incrocio e accendere i fogli di giornale.
- Aumentare gradualmente la fiamma facendo in modo che la legna non superi i fori orizzontali sul retro della piastra di combustione. Vedere Fig. 29 H.
- Chiudere la valvola di accensione (fig. 29 B) quando si è certi che il fuoco abbia preso bene.
- Controllare che si sia verificata la combustione secondaria. Ciò viene indicato dalla presenza di fiamme gialle e sfarfallanti sotto al parafiamma.
- Regolare la presa d'aria superiore in modo da ottenere il tasso di combustione per il livello di riscaldamento desiderato (fig. 29 A)

Fig. 30



## Aggiunta della legna

Alimentare frequentemente la stufa, aggiungendo solo piccoli quantitativi di combustibile alla volta. Se la stufa è troppo piena, il calore creato potrebbe causare sollecitazioni estreme della canna fumaria. Aggiungere con moderazione il combustibile al fuoco. Evitare i fuochi che bruciano senza fiamme, dato che ciò produrrà il massimo inquinamento. Un fuoco ottimale si ottiene con una buona bruciatura e un fumo in uscita dalla canna fumaria quasi invisibile.

## 4.7 Pericolo di surriscaldamento

### Il caminetto non deve mai essere utilizzato in modo tale da causare surriscaldamento

Il surriscaldamento si verifica in presenza di un eccesso di combustibile e/o di aria, causando un calore eccessivo. Un segno evidente di surriscaldamento è la presenza di un bagliore rosso in alcune parti del caminetto. Se ciò dovesse accadere, ridurre immediatamente l'apertura della presa d'aria.

Consultare un professionista se si sospetta che la canna fumaria non presenti un tiraggio corretto (tiraggio eccessivo o scarso). Per ulteriori informazioni, consultare il capitolo "4.0 Installazione" (Canna fumaria e condotto).

## 4.8 Eliminazione della cenere

Jøtul F 370 possiede un ceneraio che rende più semplice rimuovere la cenere.

1. Rimuovere la cenere solo quando la stufa è fredda.
2. Scuotere la cenere attraverso la grata nella piastra di base e quindi nel ceneraio. Indossare un guanto per impugnare la maniglia sul ceneraio ed estrarre la cenere.
3. Assicurarci che il ceneraio non si riempia fino al punto di impedire alla cenere di scendere dalla grata.

## 5.0 Utilizzo giornaliero

### Odori al primo utilizzo del caminetto

Quando il caminetto viene utilizzato per la prima volta, può emettere un gas irritante dal lieve odore. Ciò si verifica perché la vernice si secca. Il gas non è tossico, tuttavia il locale deve essere ventilato approfonditamente. Lasciare bruciare il fuoco con un tiraggio elevato, fino a far scomparire ogni traccia di gas, fumo e odore.

### 5.1 Funzionamento

**Nota:** se la maniglia della porta è chiusa quando questa è nella posizione rialzata, sarà possibile lasciare la porta in tale posizione abbassando il fermo (Fig. 15 A) nell'alloggiamento anteriore.

**Nota:** la porta non deve essere aperta quando viene acceso il fuoco. Allentando la vite (Fig. 15 B) e ruotando il fermo sotto la maniglia, la porta si chiuderà sempre, a meno che non venga tenuta aperta.

### Consiglio per l'alimentazione della stufa

**Nota:** i ceppi conservati all'aperto o in un locale freddo devono essere collocati all'interno 24 ore prima dell'uso, al fine di portarli alla temperatura ambiente.

Ci sono vari modi per alimentare la stufa, tuttavia è sempre importante prestare attenzione a ciò che viene collocato nella stufa. Consultare la sezione "Qualità della legna".

### Qualità della legna

Per "legna di qualità" si intendono tipi di legna generalmente conosciuti come la betulla, l'abete e il pino.

**I ceppi devono essere asciugati, in modo che il contenuto di umidità non sia superiore al 20%.**

A tal fine, si consiglia di tagliare i ceppi alla fine dell'inverno. Tagliarli e impilarli in modo da garantire una buona ventilazione. Le pile di legna devono essere coperte per proteggere i ceppi dalla pioggia. Portare i ceppi all'interno all'inizio dell'autunno e impilarli/conservarli per utilizzarli in inverno.

**Prestare particolare attenzione a non utilizzare mai i seguenti materiali come combustibile per il caminetto:**

- Rifiuti domestici, buste di plastica, ecc.
- Legname verniciato o impregnato (in quanto estremamente tossico).
- Assi di legno laminato.
- Cumuli di legname trasportato dalla corrente

Possano danneggiare il prodotto e sono anche inquinanti.

## Legna

L'efficienza di Jøtul F 370 garantisce una potenza termica nominale di **5,5 kW**. Utilizzo di legna, con emissione nominale di calore: Circa **1,9 kg/h**. Un altro fattore importante per ottenere un funzionamento efficiente della stufa è rappresentato dalle dimensioni dei ceppi, che devono essere le seguenti:

### Fascine:

Lunghezza: 30 cm

Diametro: 2-5 cm

Quantità per un'accensione: 6-8 pezzi

### Legna da ardere (spaccata):

Lunghezza: 20 - 30 cm

Diametro: circa 8 cm

Intervalli di aggiunta della legna: circa ogni 45 minuti

Aumento della fiamma: 1,4 kg

Quantità per carica: 2 pezzi

L'emissione di calore nominale si ottiene quando la presa d'aria superiore (fig. 29 A) è aperta al 100% circa e la maniglia per la valvola di accensione estratta di circa 1-2 cm (fig. 29 B).

## 6.0 Manutenzione

### 6.1 Pulizia del vetro

Il prodotto dispone del sistema di pulizia ad aria del vetro. Attraverso la presa d'aria, l'aria viene risucchiata nella parte superiore del camino e spinta verso il basso lungo la parte interna del vetro.

Sarà comunque inevitabile l'accumulo di un po' fuliggine sul vetro, la cui quantità dipenderà dalle condizioni di tiraggio locale e dalla regolazione della presa d'aria. La maggior parte della fuliggine verrà normalmente bruciata quando si apre completamente la presa d'aria mentre il fuoco brucia vivacemente nel camino.

**Suggerimento utile!** Per la pulizia generale, utilizzare carta da cucina inumidita con acqua calda e aggiungere della cenere presa dalla camera di combustione. Pulire il vetro con la carta, quindi risciacquarlo con acqua pulita e asciugarlo completamente. Se fosse necessario pulire il vetro più a fondo, utilizzare un detergente per vetri (*seguire le istruzioni riportate sul flacone*).

### 6.2 Pulizia e rimozione della fuliggine

I depositi di fuliggine possono accumularsi sulle superfici interne del caminetto durante l'uso. La fuliggine è un buon isolante, pertanto riduce la potenza termica del caminetto. Se si accumulano depositi di fuliggine durante l'utilizzo del prodotto, per rimuoverli è sufficiente utilizzare un detergente specifico.

Al fine di impedire la formazione di acqua e di uno strato di pece liquida nel caminetto, consentire regolarmente la presenza di fiamme particolarmente calde per rimuovere lo strato. È richiesta una pulizia interna annuale per ottenere i migliori risultati termici dal prodotto. Si consiglia di effettuarla insieme alla pulizia della canna fumaria e dei condotti.

### 6.3 Pulizia dei condotti alla canna fumaria

I condotti devono essere spazzati attraverso l'apposito portello o l'apertura della porta. In genere, occorrerà rimuovere il parafiamma.

### 6.4 Ispezione del caminetto

Jøtul raccomanda di ispezionare attentamente il proprio caminetto dopo averlo spazzato e pulito. Controllare tutte le superfici visibili per individuare eventuali crepe. Controllare anche che tutti i giunti siano sigillati e che tutte le guarnizioni siano nelle posizioni corrette. Qualsiasi guarnizione che mostri segni di usura o deformazione deve essere sostituita.

Pulire accuratamente le scanalature delle guarnizioni, applicare della colla per ceramica (disponibile presso il proprio rivenditore Jøtul locale) e premere la guarnizione in posizione. Il giunto si asciugherà rapidamente.

### 6.5 Manutenzione esterna

Il colore dei prodotti verniciati può alterarsi dopo svariati anni di utilizzo. La superficie deve essere pulita e spazzolata in modo da rimuovere ogni residuo prima di applicare la nuova vernice.

## 7.0 Assistenza

**Attenzione!** Non è consentito apportare al prodotto modifiche non autorizzate. Utilizzare solo parti di ricambio originali.

### 7.1 Sostituzione di parafiamma e deflettore di aspirazione

*N.B.: Utilizzare con cautela e attenzione eventuali utensili, per non danneggiare le piastre in vermiculite.*

1. Sollevare il bordo anteriore del parafiamma ed estrarlo (fig. 29 G). Rimuovere le piastre refrattarie laterali (fig. 29 F) e la piastra refrattaria posteriore (fig. 29 E).
2. Il deflettore di aspirazione in ghisa, collocato sopra il parafiamma, poggia con la barra sulle scanalature sullo scarico posteriore dei fumi (fig. 26 A). Sollevare leggermente il deflettore di aspirazione, tirarlo in avanti ed estrarlo.
3. Per effettuare l'installazione, ripetere la procedura in ordine inverso.

### 7.2 Sostituzione di piastre refrattarie e piastra di base

*N.B.: Utilizzare con cautela e attenzione eventuali utensili, per non danneggiare le piastre in vermiculite.*

1. Sollevare il bordo anteriore del parafiamma ed estrarlo. Rimuovere le piastre refrattarie laterali (fig. 29 F) e la piastra refrattaria posteriore (fig. 29 E).
2. Quindi sollevare la grata e la piastra di base ed estrarla (fig. 29 D).
3. Per effettuare l'installazione, ripetere la procedura in ordine inverso.
4. Quando si ricollocano la grata e la piastra di base, verificare che la barra di setacciatura che consente il movimento della grata perforata sia inserita nella fessura presente sul bordo destro della grata. (Vedere fig. 27 A).

## 7.3 Sostituzione di vetri laterali interni/esterni

1. Sollevare il bordo anteriore del parafiamma ed estrarlo. Rimuovere le piastre refrattarie laterali (fig. 29 F) e la piastra refrattaria posteriore (fig. 29 E).
2. Il deflettore di aspirazione in ghisa, collocato sopra il parafiamma, poggia con la barra sulle scanalature sullo scarico posteriore dei fumi (fig. 26 A). Sollevare leggermente il deflettore di aspirazione, tirarlo in avanti ed estrarlo.
3. Rimuovere la grata perforata, la piastra di base e il ceneraio (fig. 29 D).

Fig. 31

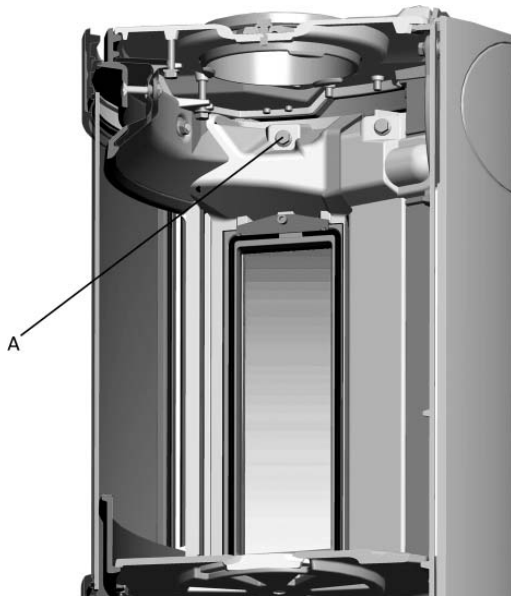
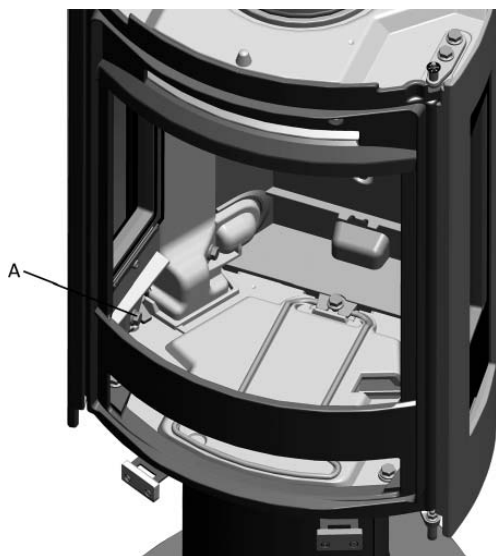


Fig. 32



4. Svitare le viti superiori e inferiori (fig. 31 A & 32 A), ed estrarre con cautela il supporto del vetro con il vetro attraverso la porta. **N.B.** Il supporto del vetro tiene in posizione anche il vetro esterno
5. Rimuovere il vetro ed eventualmente sostituire le guarnizioni. Eventualmente sostituire il vetro esterno.
6. Per effettuare l'installazione, ripetere la procedura in ordine inverso.

## 8.0 Risoluzione dei problemi

### Scarso tiraggio

1. Verificare la lunghezza della canna fumaria e la conformità alle norme nazionali (per informazioni, vedere anche le sezioni «2.0 Dati tecnici» e «3.0 Installazione» (Canna fumaria e condotto) nel manuale di installazione).
2. Accertarsi che la sezione trasversale minima della canna fumaria sia conforme a quanto riportato nella sezione «2.0 Dati tecnici» del manuale di installazione.
3. Verificare che non ci sia nulla che impedisca il deflusso del fumo: rami, alberi e così via.
4. Se si sospetta un tiraggio eccessivo o insufficiente della canna fumaria, rivolgersi a un tecnico specializzato per la misurazione e la regolazione.

### Il camino e spegnimento del fuoco

1. Accertarsi che la legna sia sufficientemente secca.
2. Verificare che ci sia una pressione negativa nella stanza, spegnere le ventole meccaniche e aprire una finestra nelle vicinanze del camino.
3. Controllare che la presa d'aria sia aperta.
4. Controllare che il condotto di scarico dei fumi non sia intasato dalla fuliggine.

### Accumulo anomalo di fuliggine sul vetro

È inevitabile che si accumuli della fuliggine sul vetro, ma la sua quantità dipende da:

1. Umidità del combustibile.
2. Condizioni di tiraggio del locale.
3. Apertura della presa d'aria.

Gran parte della fuliggine viene normalmente bruciata quando la presa d'aria è completamente aperta e il fuoco arde vivacemente nel camino.

## 9.0 Accessori opzionali

### 9.1 Piastre decorative

Piastre decorative, protezione per finestre laterali (2 unità), vernice nera

- codice art. 50037271 (350990)

Piastre decorative, protezione per finestre laterali (2 unità), vernice grigia

- codice art. 50037272 (350991)

Pietra ollare, coperchio da 25 mm in un pezzo – codice art. 50012988 (350992).

Pietra ollare, coperchio da 25 mm in tre pezzi – codice art. 50013013 (361011), sostituzione per il n. 50012988 (350992) installato con la canna fumaria in acciaio.



## 9.2 Decorazione in vetro, superiore, laterale e anteriore

*(con specifiche istruzioni di montaggio a parte)*

Insero in vetro per scarico fumi posteriore, vernice nera,  
- codice art. 51012250 (350993).

Insero in vetro per scarico fumi posteriore, vernice grigia,  
- codice art. 51012251 (350994).

Insero in vetro per scarico fumi superiore, vernice nera,  
- codice art. 51012252 (350995).

Insero in vetro per scarico fumi superiore, vernice grigia,  
- codice art. 51012253 (350996).

## 9.3 Inserto rotante

Consultare le istruzioni separate.

Insero rotante per Jøtul F 373, - codice art. 51012254 (350997).

## 9.4 Contenitore per la legna

Vernice nera - codice art. 50012995 (351160)

Vernice grigia - codice art. 50013037 (351161)

## 9.5 Porta per vano porta legna in ghisa (Jøtul F 371)

Vernice nera - codice art. 51036917 (36115)

Vernice grigia - codice art. 51036918 (36116)

## 9.6 Parte superiore alta

N. cat. 51012304

## 9.7 Sistema di stoccaggio del calore

N. cat. 10026701

## 9.8 Pietra ollare

Kit pietra ollare per Jøtul F 377, n. cat. 21043545

Kit pietra ollare per Jøtul F 377 HT, n. cat. 21043546

## 9.11 Kit di convezione

Kit di convezione, laterale, per Jøtul F 370 C, BP, n. cat. 50043647

Kit di convezione, superiore, per Jøtul F 370 C, BP, n. cat. 50043642

## 10.0 Garanzia

Jøtul AS fornisce ai propri clienti una garanzia decennale che prevede il diritto alla restituzione degli elementi esterni in ghisa, qualora mostrino difetti nei materiali e/o nella fabbricazione, dopo l'acquisto iniziale/installazione del caminetto. L'acquirente ha diritto alla restituzione delle merci nel caso in cui il caminetto sia stato installato in conformità alle leggi e normative vigenti e in conformità alle istruzioni di installazione e funzionamento di Jøtul.

### La garanzia non copre:

L'installazione degli accessori opzionali, ad esempio per modificare le condizioni di tiraggio locale, la circolazione dell'aria o altre circostanze al di fuori del controllo di Jøtul. La garanzia non copre i consumabili, come le piastre refrattarie, i parafiamma, le grate del fuoco, le grate inferiori, gli elementi refrattari in mattone, le valvole di tiraggio e le guarnizioni, essendo soggetti a deterioramento nel tempo a causa della normale usura. La garanzia non copre i danni causati a seguito dell'utilizzo di un combustibile non idoneo per accendere il fuoco, come cumuli di legname trasportato dalla corrente, legna impregnata e verniciata, ritagli di assi, truciolato, ecc. Utilizzando combustibili non idonei, può verificarsi facilmente un surriscaldamento, una condizione in grado di causare lo scolorimento della vernice e crepe alle parti in ghisa.

La garanzia non è valida per i danni causati durante il passaggio del prodotto dal distributore all'indirizzo di consegna. Inoltre, la garanzia non è valida per i danni dovuti all'utilizzo di componenti non originali.

# NEDERLANDS

## Inhoudsopgave

1.0	Wettelijke voorschriften .....	82
2.0	Technische gegevens.....	82
3.0	Veiligheid.....	83
4.0	Installatie.....	88
5.0	Dagelijks gebruik .....	98
6.0	Onderhoud .....	98
7.0	Groot onderhoud .....	99
8.0	Gebruiksproblemen - problemen oplossen .....	100
9.0	Optionele accessoires .....	100
10.0	Garantie.....	101

## 1.0 Wettelijke voorschriften

Een haard moet in overeenstemming met de wetten en voorschriften van uw land worden geïnstalleerd. Alle lokale bepalingen, inclusief de bepalingen die betrekking hebben op nationale en Europese normen, zullen worden nageleefd bij het installeren van het product.

Voordat u dit product in gebruik neemt, moet de installatie worden goedgekeurd door een gekwalificeerd technicus.

Op het hitteschild bevindt zich een typeplaatje dat is gemaakt van hittebestendig materiaal. Op het typeplaatje staan typegegevens van het product en verwijzingen naar documentatie.

## 2.0 Technische gegevens

Materiaal: gietijzer  
Afwerking: zwarte of grijze lak  
Brandstof: hout  
Max. lengte van blokken: 30 cm  
Rookafvoer: boven-/achterkant  
Doorsnede van de aansluiting: Ø150 mm/min. 177 cm<sup>2</sup> doorsnede

Gewicht, haard met:

- Met gietijzeren onderstel: Ongeveer 163 kg
- Met gietijzeren voetstuk: Ongeveer 156 kg
- Met gietijzeren poot: Ongeveer 154 kg
- Met gietijzeren basis met glazen deur: Ongeveer 165 kg
- Met glazen basis: Ongeveer 158 kg
- Jøtul F 377 met speksteen: ongeveer 220 kg
- Jøtul F 377 HT met speksteen: ongeveer 270 kg
- Jøtul F 377 met warmte-opslagsysteem en speksteen: ongeveer 330 kg
- Met drie poten: Ongeveer 149 kg

Optionele accessoires: Decoratieplaten - voor zijruiten, bovenkant van speksteen, glazen decoratieset - bovenzijde, zijkanten en voorzijde, draaisel (Jøtul F 373), houtopslag, gietijzeren deur voor voetstuk (Jøtul F 371), High Top, Jøtul F 377 speksteen, Jøtul F 377 HT speksteen, convectieset, warmteopslagsysteem.

Afmetingen van het product, afstanden:

Zie **afb. 1**

### Technische gegevens volgens EN 13240

Nominaal vermogen: 5,5 kW  
Massastroom rookgas: 5,9 g/sec  
Aanbevolen luchtstroom van schoorsteen: 12 Pa  
Efficiëntie: 73% @ 5,8 kW  
Koolmonoxide-uitstoot (13% O<sub>2</sub>): 0.12%  
Rookgastemperatuur: 330° C  
Werkingstype: cyclisch

**Cyclische verbranding betekent in deze context normaal gebruik van de haard, dat wil zeggen dat er brandstof wordt toegevoegd wanneer de brandstof is opgebrand en er nog een voldoende hoeveelheid gloeiende as over is.**

Product: Jøtul Room heater fired by solid fuel				CE
Standard Minimum distance to adjacent combustible materials: .....				
Minimum distance to adjacent combustible materials: .....				
Emission of CO in combustion products: .....				
Flue gas temperature: .....				
Nominal heat output: .....				
Efficiency: .....				
Operation range: .....				
Fuel type: .....				
Operational type: .....				
The appliance can be used in a shared flue.				
Country	Classification	Certificate/standard	Approved by	
Norway	Klasse II			
Sweden	SP	SP Sveriges Provnings- och Forskningsinstitut AB		
EUR	Intermittent	EN	EN Swedish National Testing and Research Institute	
Follow user's instructions. Use only recommended fuel. Montage- und Bedienungsanleitung beachten. Verwenden Sie nur empfohlenen Brennstoffen. Respectez les consignes d'utilisation. Utilisez uniquement les combustibles recommandés.				
Serial no: Y-xxxx, Year: 200x				
Manufacturer: Jøtul AS PCB 1444 N-1500, Fredrikstad Norway				

Al onze producten zijn voorzien van een label met een serienummer en een jaartal. Noteer dit nummer op de daarvoor bestemde plaats, zoals aangegeven in de installatie-instructies.  
Houd dit serienummer bij de hand als u contact opneemt met uw leverancier of met Jøtul.

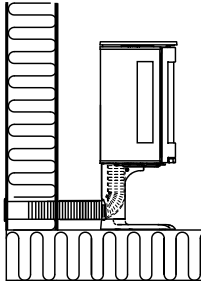
Serial no.

## Luchttoevoer

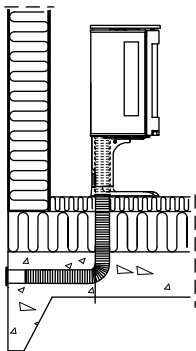
De externe luchtaansluiting kan direct op de Jøtul F 370 Series worden aangesloten door middel van:

- door een flexibele toevoerslang van buitenaf/schoorsteen (alleen als de schoorsteen een eigen kanaal heeft voor externe lucht) op de externe luchtaansluiting van het product.

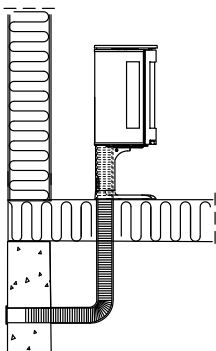
### Via een buitenmuur



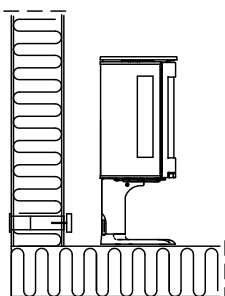
### Via de vloer en grondplaat



### Via de vloer en kelder



### Indirect via een buitenmuur



## 3.0 Veiligheid

**NB! Om zeker te zijn van optimale prestaties en veiligheid, dienen de kachels van Jøtul altijd te worden geplaatst door een gekwalificeerde installateur.**

Aanpassingen aan het product door de distributeur, installateur of consument kunnen ertoe leiden dat het product en de beveiligingen niet naar behoren functioneren. Hetzelfde geldt voor de installatie van niet door Jøtul geleverde accessoires of optionele extra's. Dit kan ook het geval zijn indien essentiële onderdelen voor het functioneren en de veiligheid van de haard gedemonteerd of verwijderd worden.

In al deze gevallen is de fabrikant niet verantwoordelijk of aansprakelijk voor het product en het recht op reclamatie komt hierdoor te vervallen.

## 3.1 Maatregelen op het gebied van brandpreventie

Elk gebruik van de haard brengt een zeker risico met zich mee. Neem daarom de volgende instructies nauwkeurig in acht:

- De minimale veiligheidsafstanden tijdens het gebruik van de haard zijn weergegeven in **afb. 1**.
- Zorg ervoor dat er geen meubels of andere brandbare materialen te dicht bij de haard staan. Brandbare materialen mogen nooit binnen 1 meter afstand van de haard geplaatst worden.
- Laat het vuur vanzelf uitgaan. Blus het vuur nooit met water.
- De haard wordt tijdens gebruik warm en kan bij aanraking brandwonden veroorzaken.
- Verwijder de as niet voordat de haard koud is. De as kan smeulende resten bevatten en moet daarom in een onbrandbare bak worden bewaard.
- De as moet naar buiten worden afgevoerd of worden weggegooid op een plek waar geen brandgevaar bestaat.

### Bij brand in de schoorsteen

- Sluit alle luiken en ventilatieopeningen.
- Houd de deur van de vlamkast gesloten.
- Controleer of er rook is op zolder en in de kelder.
- Bel de brandweer.
- Voordat u de haard opnieuw in gebruik neemt na een brand, moet een deskundige de haard en de schoorsteen controleren om na te gaan of deze goed werkt.

## Jøtul F 370

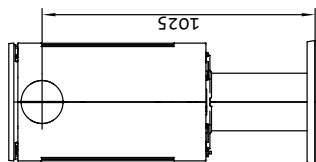
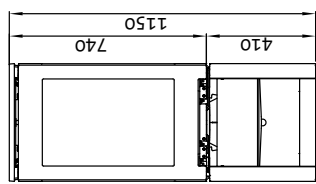
Minimale afstand tot brandbare muur in verschillende configuraties, afb. 1a

Configuratie	Afstand	a	b	c	d	e	f	g	h	i
Basis model		440	1125	920	650	480	612	407	701	160
Met decoratieplaten, voor zijruiten		340	982	777	550	380	612	407	601	160
Met half geïsoleerde schoorsteen		440	1125	920	650	480	552	347	701	100
Met decoratie glas, zijkant		190	771	566	400	280	558	353	501	* 160
Jøtul F 370 C (product met convectie kit, zijruiten en half geïsoleerde buis)		150	742	537	380	400	524	319	641	50
Jøtul F 377 (product met speksteen, zijpanelen en bovenplaat)		250	915	710	502	400	539	334	647	50

\* Wanneer een stalen kanaal wordt gebruikt is de afmeting 100 mm.

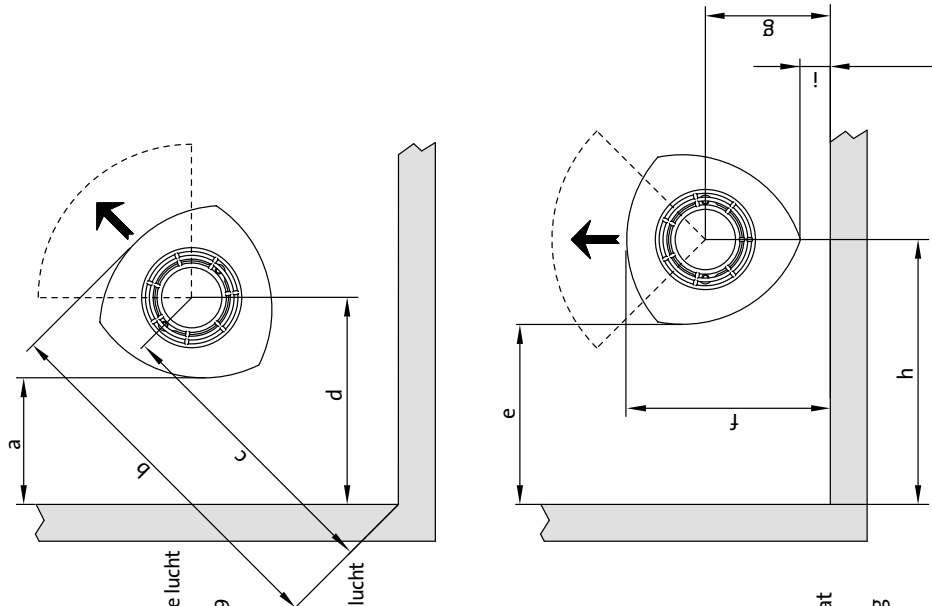
Afb. 1a

løtul F 371 / F 373 / F 374 / F 375 / F 376 / F 377 / F 379 / F 370 C

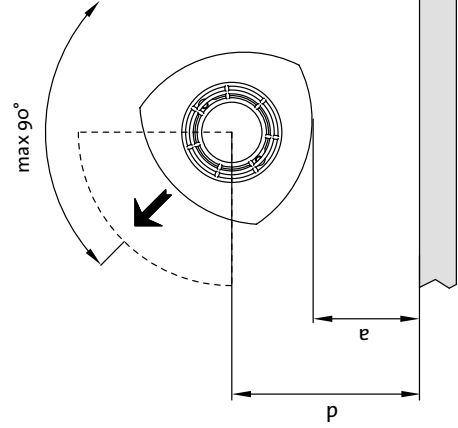
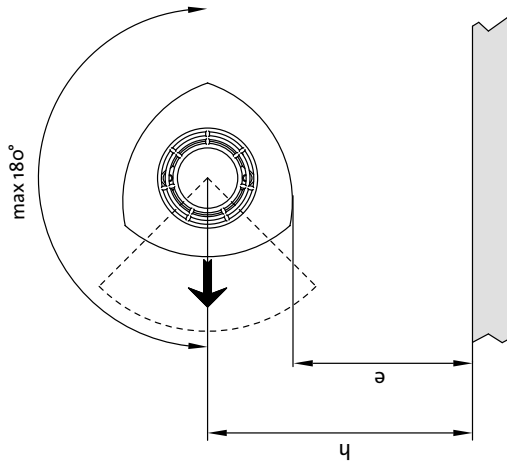


Min. afstand tot brandbare muur.  
Zie bovenstaande tabel

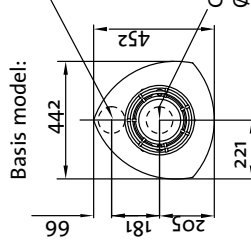
Brandbare muur



Min. afstand tot brandbare muur met draaibaar voetstuk.  
Zie bovenstaande tabel

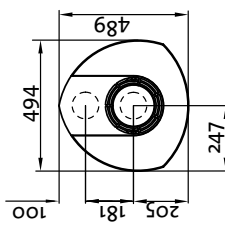


Basis model:  
Gaten in de vloer ten behoeve van externe lucht  
Ø 100 mm verbinding  
løtul F 371, F 374, F 375, F 376, F 377, F 379

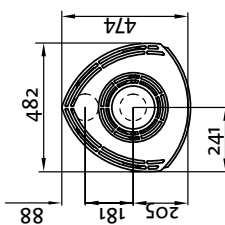


Gaten in de vloer ten behoeve van externe lucht  
Ø 100 mm verbinding  
løtul F 373

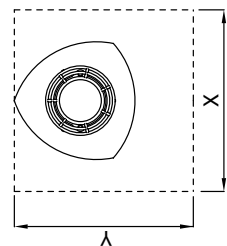
løtul F 377:



løtul F 370 C:



Min. afmetingen voor de vloerplaat  
XY = In overeenstemming  
met nationale wet- en regelgeving



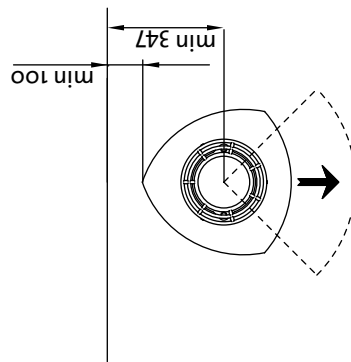
## Jøtul F 370

Minimale afstand tot brandbare muur beschermd door brandmuur in verschillende configuraties, afb. 1b

Configuratie	a	b	c	d	e	f	g	h	i	j	k	l	m	n	o	p	q	r	s	t
Basis model	100	643	438	310	200	492	287	421	40	550	480	440	735	799	773	934	999	962	756	1156
Met decoratieplaten, voor zijruiten	100	643	438	310	200	492	287	421	40	550	380	340	735	669	659	934	884	841	556	930
Jøtul F372, F 375, F 376, F 379 met externe lucht aansluiting via een buitenmuur	100	643	438	310	200	552	347	421	100	550	-	-	795	-	-	994	-	-	-	-
Convectie modellen (product met convectie kit en half geïsoleerde buis)	100	671	466	330	200	524	319	441	50	550	400	200	888	-	807	956	-	897	-	-
Jøtul F 377 (product met speksteen, zijpanelen en bovenplaat)	100	703	498	354	200	539	334	447	50	550	400	250	892	-	885	961	-	960	-	-

## Afb. 1C

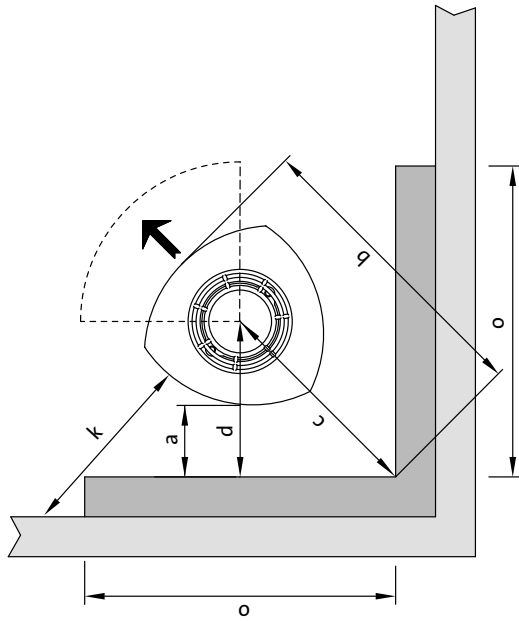
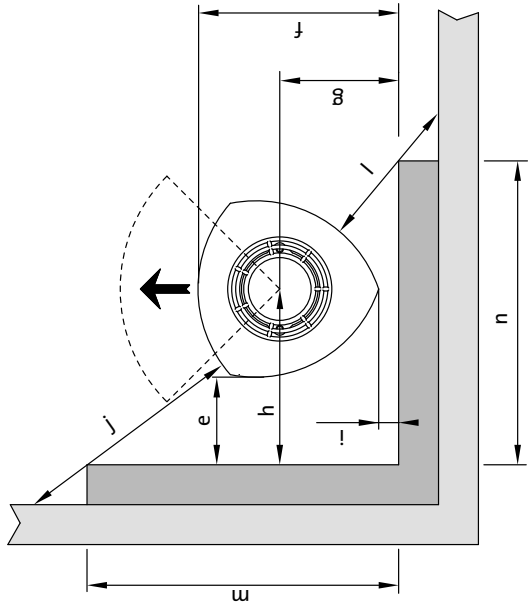
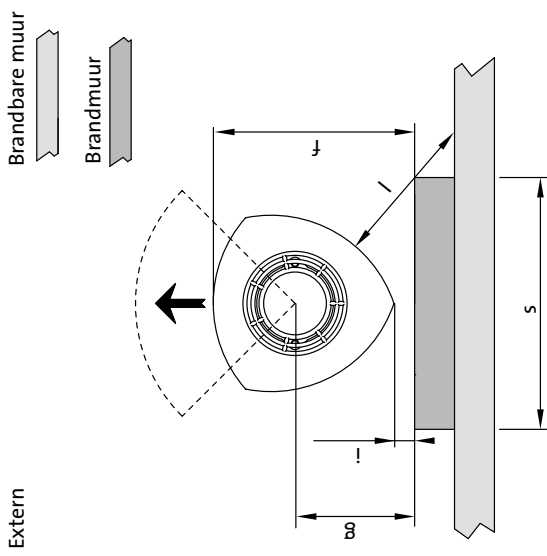
Minimale afstand tot een muur voor de Jøtul F 375, Jøtul F 376 en Jøtul F 379 met buitenlucht aansluiting.



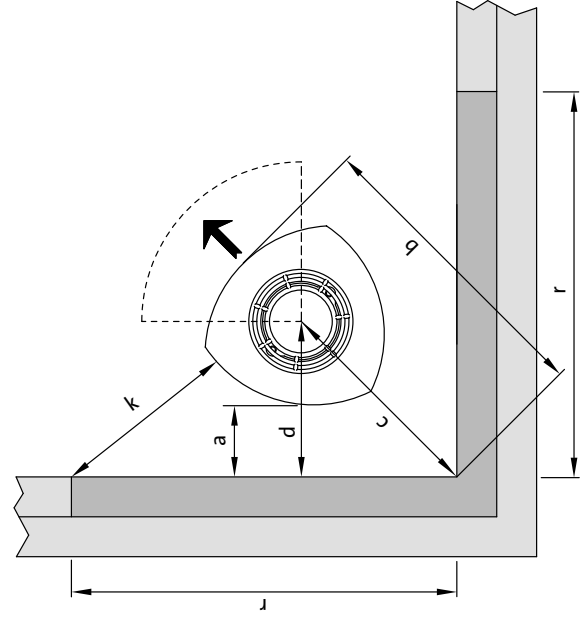
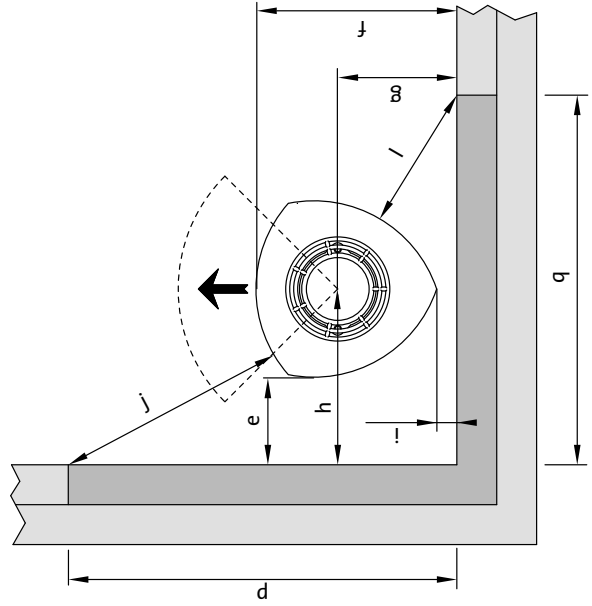
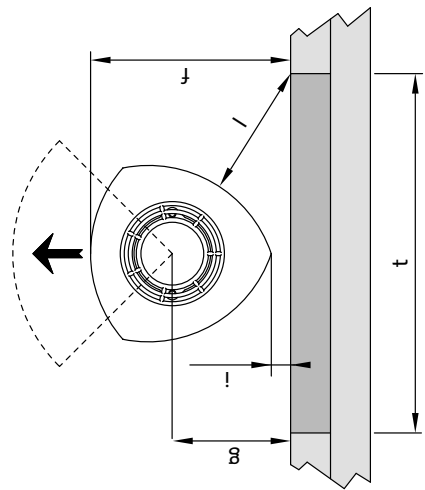
Afb. 1b

Jøtul F 371/ F 373/ F 374/ F375/ F 376/ F377/ F 379/ F370 C

Min. afstand tot brandbare muur beschermd door brandmuur: Zie bovenstaande tabel



Geïntegreerd



# NEDERLANDS

## 3.2 Vloer

### Fundament

Het fundament moet op de haard berekend zijn. Zie «2.0 Technische gegevens» voor het gewicht van de haard. Het wordt aanbevolen om een vloer die niet aan het fundament bevestigd is, een zogenaamde zwevende vloer, bij de installatie te verwijderen.

### Vereisten ter bescherming van een houten vloer

Jøtul F 370 Series (uitgezonderd Jøtul F 374) beschikt over een hitteschild aan de onderkant van de haard. Dit hitteschild beschermt de vloer tegen warmtestraling. De haard is voorzien van een geïntegreerde vloerbescherming en mag daarom direct op een houtenvloer worden geplaatst.

**Vloeren van brandbaar materiaal, zoals linoleum, tapijt, enzovoort, moeten onder de vloerplaat worden verwijderd.**

### Brandbare vloeren voor de haard moeten voldoen aan het volgende:

De voorplaat moet in overeenstemming zijn met de nationale wetten en voorschriften.

*Neem contact op met de afdeling Bouwtoezicht van uw gemeente voor informatie over beperkingen en installatie-eisen.*

## 3.3 Muren

### De afstand tot de muur van brandbaar materiaal

De haard is goedgekeurd voor gebruik met een niet-geïsoleerde kachelpijp bij afstanden tot een muur van brandbaar materiaal zoals in **afb. 1**.

## 3.4 Plafond

De afstand tot een brandbaar dak boven de haard moet minimaal **1000 mm** zijn.

## 4.0 Installatie

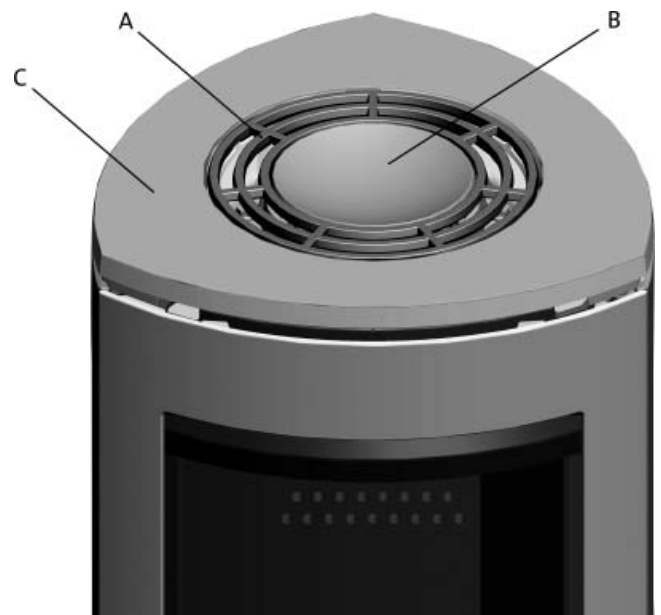
**N.B. Controleer vóór het installeren of de haard geen transportschade heeft opgelopen.**

**Het product is zwaar! Zorg voor hulp bij het neerzetten en installeren van de haard.**

### 4.1 Voor installatie

1. Het standaardproduct wordt geleverd in twee pakketten. Het ene pakket bevat de haard en het andere het optionele gietijzeren of betonstenen onderstel, of glazen basis of het gietijzeren voetstuk.
2. Als u het product hebt uitgepakt, verwijdert u de keerplaten, de keerklep, de onderplaat, de aslade en het rooster. Verwijder ook de kleine zijplaten en de pakking van de kachelpijp uit de aslade.

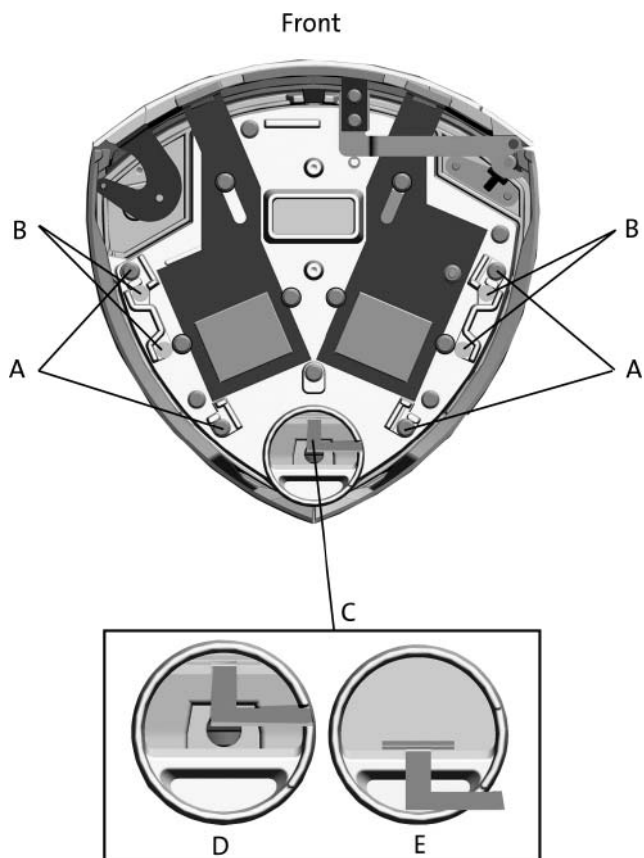
Afb. 3



3. Verwijder de bovenplaat met het rooster (**afb. 3 A**) en de kom (**afb. 3 B**).
4. Controleer de haard op eventuele beschadigingen en overtuig u ervan dat de regelschuiven functioneren (**afb. 29 A, B en C**).
5. Als de achteraansluiting voor de kachelpijp wordt gebruikt, boort u eerst gaten (**afb. 5 A**) in de verwijderbare platen voordat u de platen verwijdert.
6. Het houten blok (**afb. 5 B**) dat de keerkleppen in de juiste positie houdt, moet zodanig worden geplaatst dat de zijplaten worden ondersteund wanneer u de platen verwijdert.
7. Leg de kartonnen dozen plat op de vloer. Leg de kachel voorzichtig op zijn kant.



Afb. 4



- Als u de optionele glazen decoratieset gaat gebruiken, moeten de 4 schroeven met verzonken kop uit de onderkant worden verwijderd (afb. 4 B) met behulp van de bijgevoegde sleutel.

## 4.2 Montage

### Jøtul F 371 - Gietijzere onderstel

NB! Sla de verwijderbare afdekplaten niet los wanneer u de flexibele slang door een gat in de vloer aansluit.

Afb. 5



- Als de flexibele slang (100 mm  $\varnothing$ ) voor externe luchttoevoer moet worden aangesloten op het luchtrooster (afb. 4 C) onder de verbrandingskamer, dient u eerst een gat te boren (afb. 5 C) in de verwijderbare platen voordat u deze platen verwijdert. **Let op. Zorg ervoor dat de achterplaat in de basis (afb. 6 A) zich op zijn positie bevindt wanneer de afdekkingen eruit worden geslagen.**

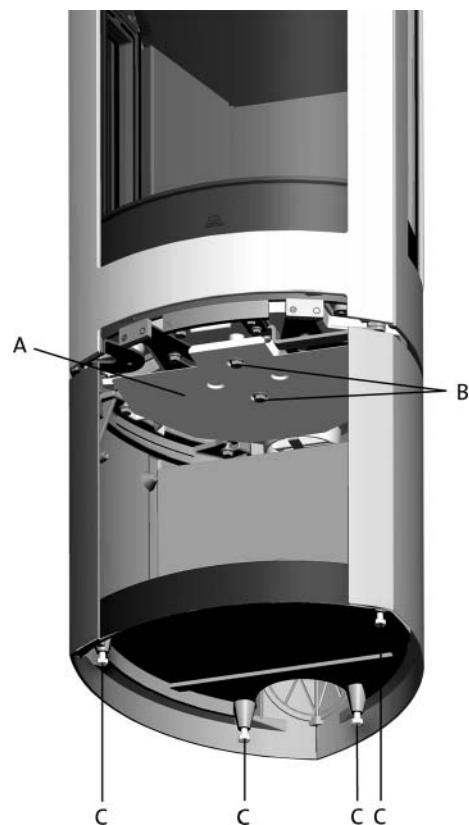
# NEDERLANDS

Afb. 6



2. Verwijder het rooster en de achterplaat (**afb. 6 A**) van het onderstel. Controleer of de hendel in het luchtrooster (**afb. 4 D**) is in de voorste positie.
3. Bevestig het onderstel aan het verbrandingskamer met de 4 schroeven (M8x30mm) uit de schroevenzak (**afb. 4 A**).
4. Zet met hulp van anderen de haard voorzichtig overeind.

Afb. 7



5. Stel de haard in met behulp van de 4 stelschroeven (zie **afb. 7 C**).
6. Trek de slang door het gat en bevestig hem met een klem aan de aansluitpijp. **NB!** De slang moet lang genoeg zijn, zodat er geen knikken in komen.
7. Het onderstel moet door middel van het meegeleverde hitteschild (**afb. 7 A**) worden beschermd tegen de stralingswarmte. Bevestig dit met de 2 schroeven als aangegeven in **afb. 7 B**.
8. Monteer het rek en de achterplaat opnieuw in de basis.

## Jøtul F 373 - Voetstuk

**Belangrijk:** Als u de draaisel wilt monteren, doet u dat voordat u het voetstuk bevestigt aan de haard. Zie de montage-instructies bij de draaisel.

Afb. 11



1. Stel de haard in met behulp van de 3 stelschroeven (afb. 11 A).
2. Bevestig het voetstuk met de 4 eerder schroeven (afb. 4 A).
3. Bevestig nu de slang (diameter 100 mm) aan de haard als u lucht wilt toevoeren via een slang (afb. 4C).
4. Duw de hendel in het het luchtrooster in de voorste positie (afb. 4D).
5. Bevestig de slang met een slangklem op de aansluitpijp. **NB** De slang moet lang genoeg zijn, zodat er geen knikken in komen.
6. Als gebruik wordt gemaakt van externe luchttoevoer via de vloer, plaatst u de pakking voor (afb. 11 B) het voetstuk op de onderzijde in de opening. Trek de slang door de pakking vanuit de onderzijde van het voetstuk. Aantekening: De opening zit in het midden van de voet.
7. Duw de hendel in het het luchtrooster in de achterste positie (zie afb. 4 E).
8. Zet met hulp van anderen de haard voorzichtig overeind. en plaatst u deze direct boven de externe luchttoevoer.

**Belangrijk:** Controleer of de hendel in het luchtrooster in de voorste positie staat, als de lucht niet door het voetstuk moet worden aangevoerd.

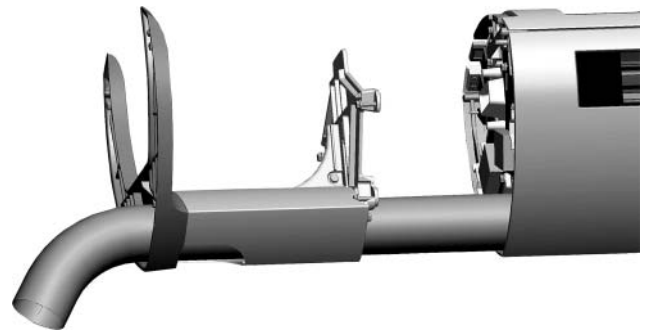
## Jøtul F 374 - Gietijzeren poot

Als er externe lucht, aangevoerd via de externe luchtopening, moet worden gebruikt, moet u een flexibele slang (Ø 100 mm) op de externe luchtopening (afb. 4 C) van het product aansluiten.

### Installatie met externe lucht

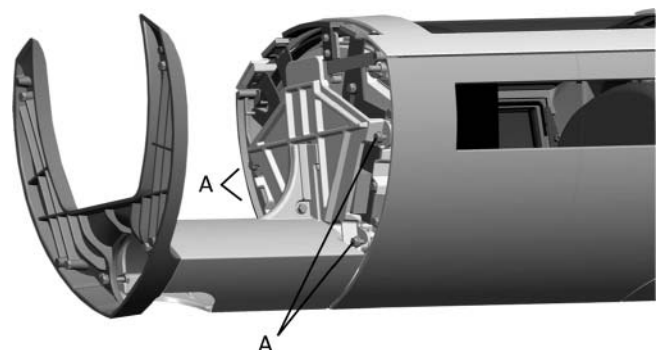
1. Duw de hendel op de externe luchtopening naar voren (afb. 4 D).
2. Sluit de slang met een slangklem op de externe luchtopening aan. **NB!** Zorg dat de slang lang genoeg is, zodat u geen verbindingen hoeft te maken.

Afb. 12



3. Verplaats de gietijzeren poot in de richting van de verbrandingskamer, aangezien de externe luchtslang door de poot en evt. door de opening aan de achterkant loopt (afb. 12).

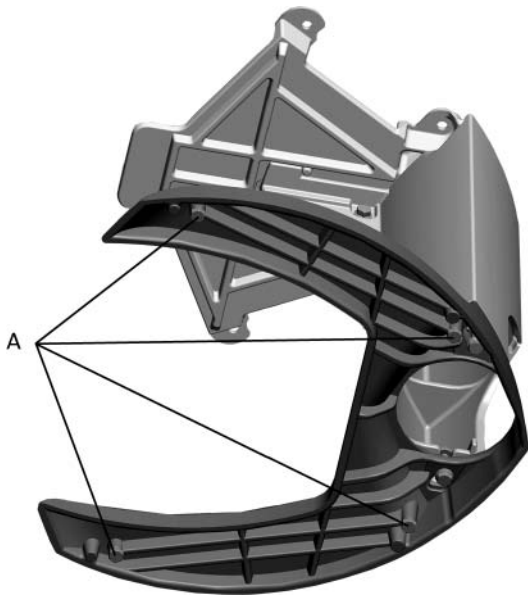
Afb. 13



4. Bevestig de basis aan de verbrandingskamer. Gebruik hiervoor 4 schroeven (M8 x 30 mm) uit de zak met schroeven (afb. 13 A).
5. Breng het product met de hulp van een ander persoon voorzichtig omhoog en plaats het correct ten opzichte van de externe luchttoevoer.

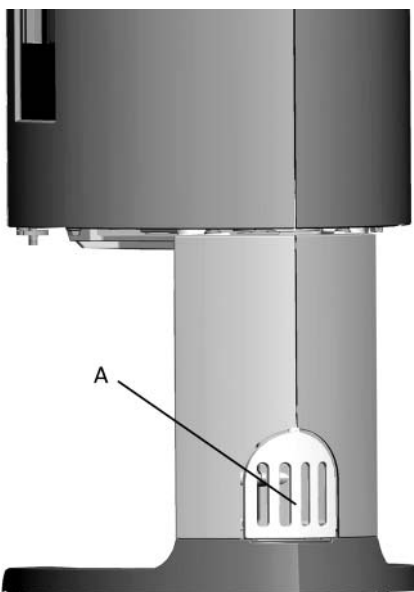
# NEDERLANDS

Afb. 14



6. Pas indien nodig de hoogte van het product aan. Gebruik hiervoor de stelschroeven onder de voet (afb. 14 A).

Afb. 15



7. Vervang de afdekking voor de externe luchttoevoer (afb. 15 A).

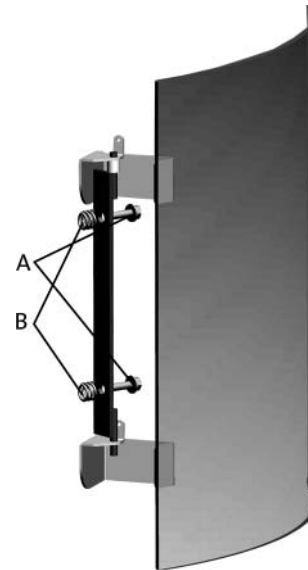
## Installatie zonder externe lucht

1. Bevestig de basis aan de verbrandingskamer. Gebruik hiervoor 4 schroeven (M8 x 30 mm) uit de zak met schroeven (afb. 13 A).
2. Breng het product met de hulp van een ander persoon voorzichtig omhoog en plaats het correct ten opzichte van de externe luchttoevoer.
3. Pas indien nodig de hoogte van het product aan. Gebruik hiervoor de stelschroeven onder de voet (afb. 14 A).
4. Vervang de afdekking (afb. 15 A).

## Jøtul F 375 - Gietijzeren basis met glazen deur

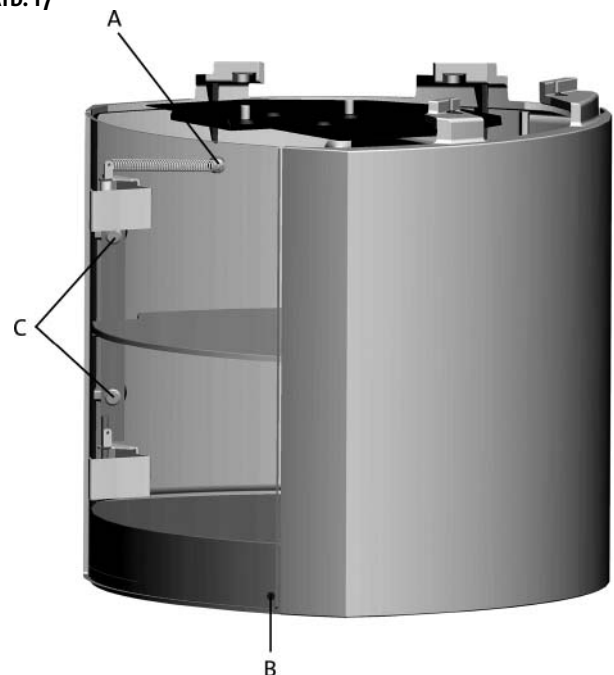
1. Monteer de gietijzeren basis zoals beschreven onder het punt Jøtul F 371 - gietijzeren basis.

Afb. 16



2. Bevestig het scharnier voor de glazen deur aan de basis. Gebruik hiervoor de schroeven M6 x 20 mm, die in de zak met schroeven voor de glazen deur zitten (afb. 16 A).
3. Plaats de veer tussen de van schroefdraad voorziene gaten en het scharnier voordat u de schroeven aanhaalt (afb. 16 B).

Afb. 17



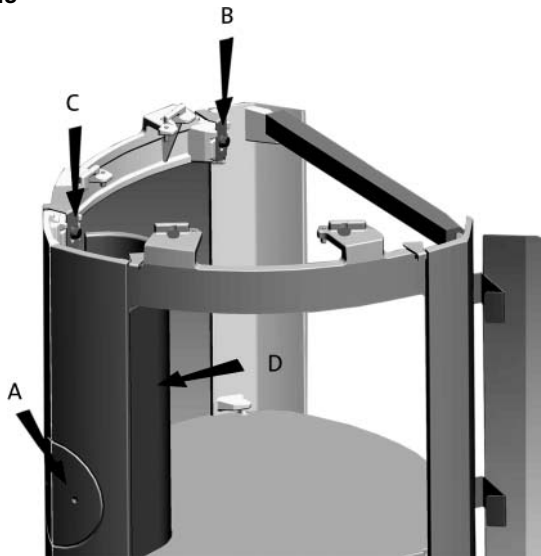
4. Draai het andere uiteinde van de veer stevig in positie (afb. 17 A).
5. Bevestig de deurdemper aan de binnenkant van de glazen deur in de hoek rechtsonder (afb. 17 B).

**NB!** Er moet een gelijkmatige tussenruimte tussen de deur en de basis aanwezig zijn, zodat de deur recht hangt. Stel de deur indien nodig af door de twee schroeven aan te halen of los te draaien (afb. 17 C).

## Jøtul F 376 – Glazen basis

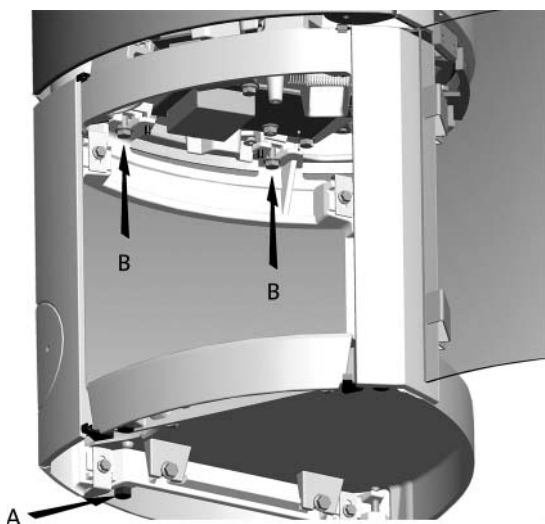
**NB!** Sla de verwijderbare afdekplaten niet los wanneer u de flexibele slang door een gat in de vloer aansluit (afb. 18 A).

Afb. 18



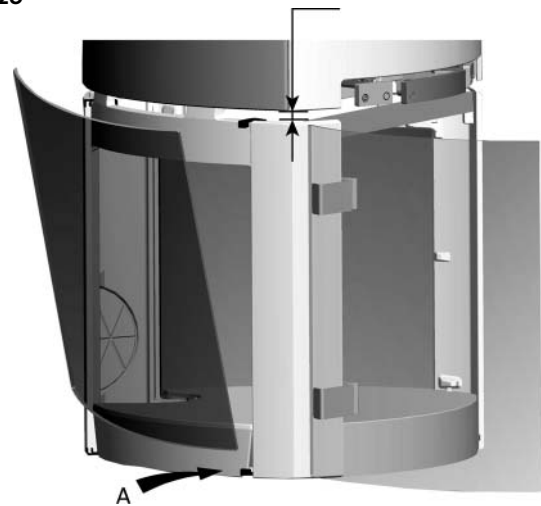
1. Maak de schroeven los terwijl u de bovenste glasklemmen aan beide zijden vasthoudt (afb. 18 B en C). Controleer of de hendel op de externe luchtopening naar voren staat (afb. 4 D).
2. Indien u een flexibele slang aansluit (Ø 100 mm) voor de externe luchttoevoer naar de externe luchtopening/-uitlaat (afb. 4 C) onder de verbrandingskamer, boor dan eerst een gat (afb. 18 A) in de verwijderbare afdekplaten alvorens u deze loslaat. NB! Laat de achterplaat in de basis (afb. 18 D) zitten, wanneer u de afdekplaten loslaat.
3. Verwijder de achterplaat (afb. 18 D) uit de basis.

Afb. 19



4. Plaats de basis op de juiste positie op de vloerplaat (indien nodig). Zet het product waterpas met de 4 afstelschroeven (afb. 19 A).
5. Bevestig de basis aan de verbrandingskamer. Gebruik hiervoor 4 schroeven (M8 x 30 mm) uit de zak met schroeven (afb. 19 B).
6. Til het product met de hulp van een ander persoon voorzichtig omhoog.
7. Stel de glazen deur, indien nodig, af met de schroeven (afb. 17 C). De ruimte tussen de deur en de basis moet overal gelijk zijn om de deur recht te laten hangen.

Afb. 20



8. Installeer de glazen zijpanelen door deze in de onderste glasklemmen te plaatsen (afb. 20 A). Trek de bovenste klemmen omhoog en druk ze op de glazen zijkant. Zorg ervoor dat de ruimte tussen de glazen zijkant en de zijplaat overal gelijk is, zowel aan de voor- als achterkant. Draai de schroef aan de voorkant voor de glazen zijkant aan (afb. 18 B). De schroef aan de achterkant (afb. 18 C) moet iets losgedraaid worden zodat de glasklem kan worden opgetild zonder de schroef te verwijderen (dit maakt het eenvoudiger om later het glas te vervangen).
9. Haal de flexibele slang (indien aanwezig) door een gat in de vloer of achter de basis (afb. 18 A) en bevestig deze aan de uitlaat met een slangklem. NB! Zorg ervoor dat de slang lang genoeg is, zodat u geen verbindingen hoeft te maken.
10. Plaats de achterplaat terug (afb. 18 D).
11. Het onderstel moet door middel van het meegeleverde hitteschild (afb. 7 A) worden beschermd tegen de stralingswarmte. Bevestig dit met de 2 schroeven als aangegeven in afb. 7 B.

## Jøtul F 377 – met speksteen

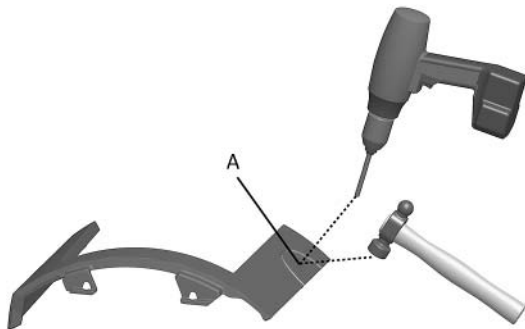
Zie de aparte installatie-instructies (cat. nr. 10043560).

# NEDERLANDS

## Jøtul F 379 – met drie poten

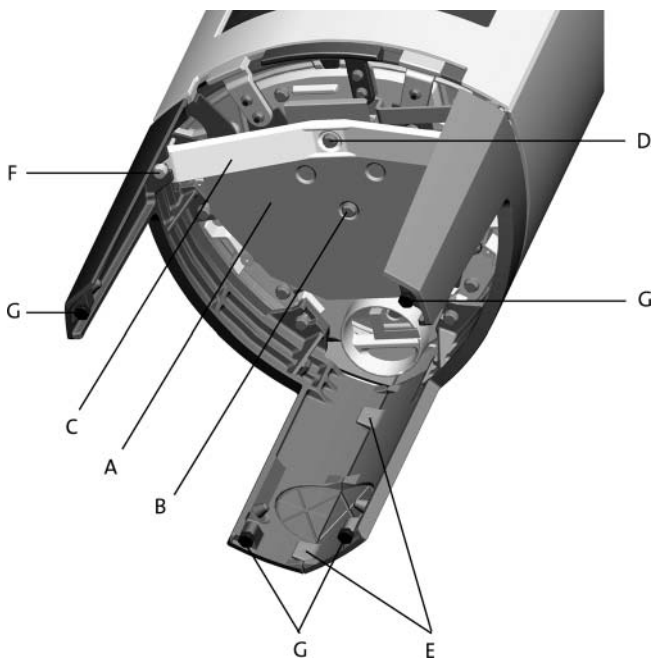
**NB!** Sla de verwijderbare afdekplaten (afb. 21 A) niet los wanneer u de flexibele slang door een gat in de vloer aansluit.

Afb. 21



1. Indien u een flexibele slang aansluit (Ø 100 mm) voor de externe luchttoevoer naar de externe luchtopening (afb. 4 C) onder de verbrandingskamer, boor dan eerst een gat (afb. 21 A) in de verwijderbare afdekplaten voordat u deze loslaat. **NB!** Plaats de delen op een geschikt oppervlak voordat u de afdekplaten loslaat.

Afb. 22

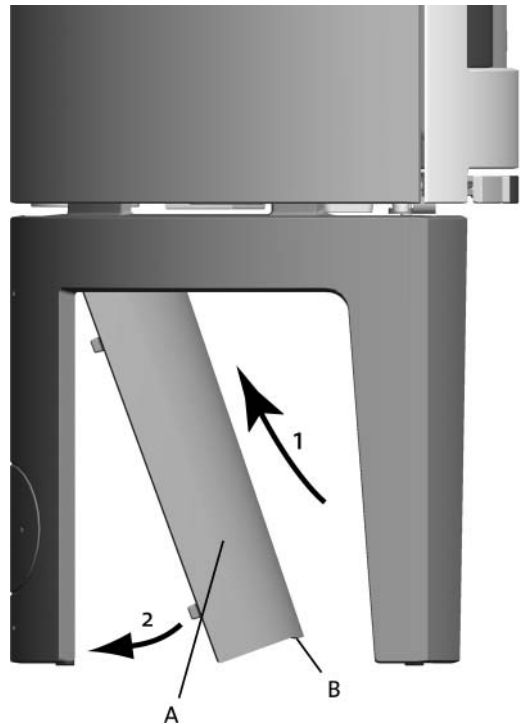


2. Het bijbehorende hitteschild dient te worden gebruikt om de basis te beschermen tegen de warmte die het product uitstraalt (afb. 22 A). Zet het eerst met een schroef vast (afb. 22 B).
3. Zet de beugel (afb. 22 C) losjes met een schroef op zijn plaats (afb. 22 D).
4. Bevestig de basis aan de verbrandingskamer. Gebruik hiervoor de 4 schroeven (M8 x 30 mm) uit de zak met schroeven (afb. 4 A).
5. Schroef de poten aan de achterrand aan elkaar. Gebruik hiervoor 2 schroeven in de schroefgaten (afb. 22 E).
6. Zet de beugel (afb. 22 C) met een schroef (afb. 22 F) en moeren aan beide uiteinden op zijn plaats.
7. Til het product met de hulp van een ander persoon voorzichtig omhoog.
8. Zet het product waterpas met de 4 afstelschroeven (afb. 22 G).
9. Als de poten niet goed zijn afgesteld, moet u de schroeven (afb. 22 F) aan beide kanten losdraaien. Stel de poten af en

draai de schroeven weer vast.

10. Haal de schroef (afb. 22 D).
11. Trek de flexibele slang door het gat en bevestig deze met een slangklem aan de uitlaat. **NB!** Zorg ervoor dat de slang lang genoeg is, zodat verbindingstukken niet nodig zijn.

Afb. 23



12. Plaats de afdekking (afb. 23 A) terug. Zorg ervoor dat de pen (uitstulping) B omlaag wijst.

## 4.3 Schoorstenen en kachelpijpen

- De haard kan worden aangesloten op een schoorsteen en kachelpijp die zijn goedgekeurd voor brandstofgestookte haarden met rookgastemperaturen die zijn opgegeven in «2.0 Technische gegevens».
- De doorsnede van de schoorsteen moet ten minste even groot zijn als de doorsnede van de kachelpijp. Zie «2.0 Technische gegevens» voor informatie voor het berekenen van de doorsnede van de schoorsteen.
- Er kunnen meerdere brandstofgestookte haarden worden aangesloten op dezelfde schoorsteen als de doorsnede van de schoorsteen groot genoeg is.
- De aansluiting op de schoorsteen moet voldoen aan de installatievoorschriften van de schoorsteenleverancier.
- Voordat u een opening in de schoorsteen maakt, moet de haard als proef worden geplaatst om te zorgen voor de juiste positie ten opzichte van de schoorsteen. Zie afb. 1 voor de minimale afmetingen.
- Zorg dat de kachelpijp omhoog wijst in de richting van de schoorsteen.
- Gebruik een kachelpijpbocht met een veegluik, zodat de pijp kan worden geveegd.

Houd er rekening mee dat de aansluitingen enigszins flexibel moeten zijn om te voorkomen dat kleine verplaatsingen tijdens de installatie schade veroorzaken.

**De luchtstroom in de schoorsteen; zie «2.0 Technische gegevens»**  
**Als de luchtstroom te sterk is, kunt u een luchtklep installeren en gebruiken om de luchtstroom te regelen.**

## Montage van een kachelpijp aan de bovenkant

Het product is in de fabriek voorbereid voor een rookafvoer aan de bovenkant.

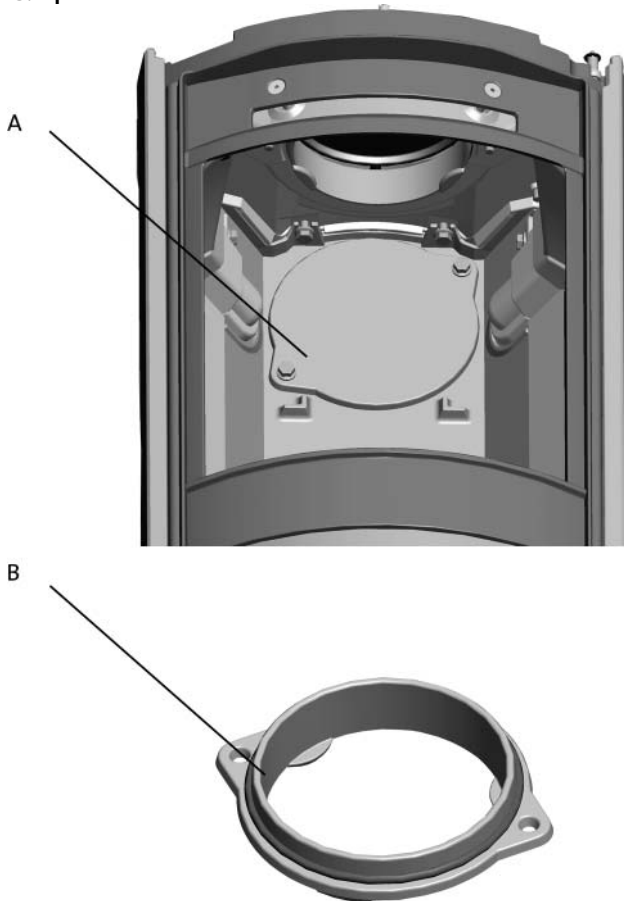
1. Leg bovenplaat (afb. 3 C) op zijn plaats.
2. Til met hulp van anderen het bovenrooster (afb. 3 A) op en houd het omhoog terwijl de pijp wordt bevestigd.
3. Steek de kachelpijp door het rooster in de bovenplaat en plaats hem op de rookafvoerpijp.
4. Sluit hem goed af met een pakking.

## Montage van een schoorsteenpijp aan de achterkant

Het product is in de fabriek voorbereid voor een rookafvoer aan de bovenkant. Als u de rook wilt afvoeren via de achterkant, volgt u onderstaande stappen:

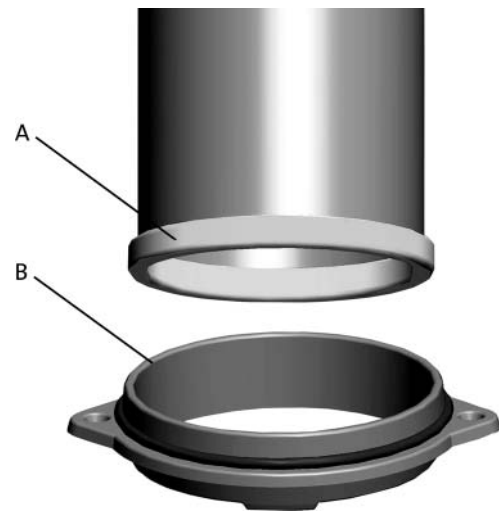
1. Plaats het product in de juiste positie (zie afb. 1).

Afb. 24



2. Voor de verandering naar rookafvoer (afb. 24 B) aan de achterkant, moet de schoorsteenpijp aan de bovenkant worden losgeschroefd.
3. Draai vanuit de verbrandingskamer de schroeven van het afdekplaatje voor rookafvoer via de achterkant los (afb. 24 A).

Afb. 25

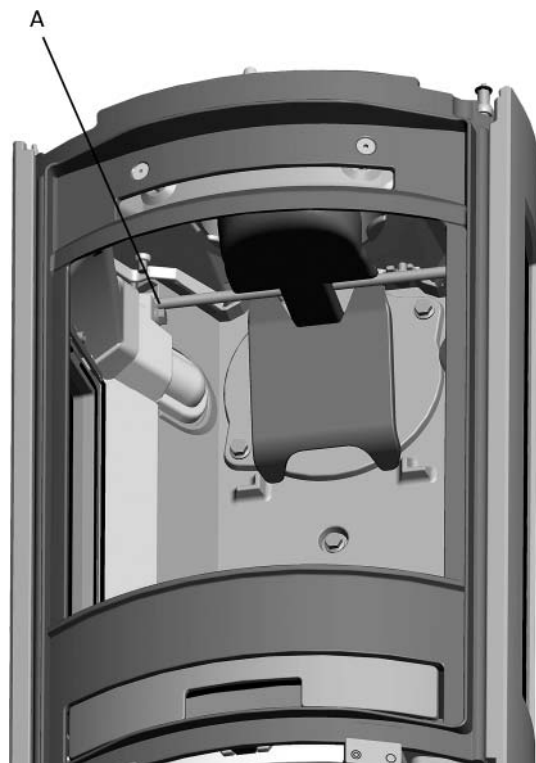


4. Bevestig de pakking aan het uiteinde van de kachelpijp (afb. 25 A).
5. Monteer de rookafvoerpijp (afb. 25 B) aan het uiteinde van de kachelpijp waaraan de pakking is bevestigd.
6. Bevestig de kachelpijp en de rookafvoerpijp vanuit de binnenzijde van de verbrandingskamer en draai de kachelpijp vast met behulp van M8x30 mm schroeven. Bevestig het afdekplaatje voor de bovenafvoer (afb. 24) met de schroeven van de rookafvoerpijp.

**N.B.** Een juiste en luchtdichte aansluiting is van groot belang voor het goed functioneren van de haard.

## 4.4 Montage van de haard

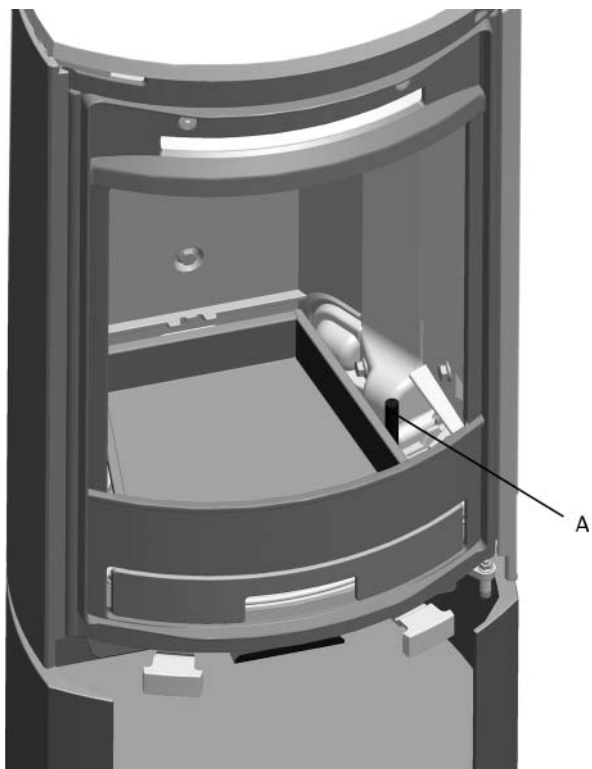
Afb. 26



1. Plaats de keerplaat met de stang op de ribben in de groeven (afb. 26 A).
2. Haal de bodemplaat door de opening en zet hem op de bodem.

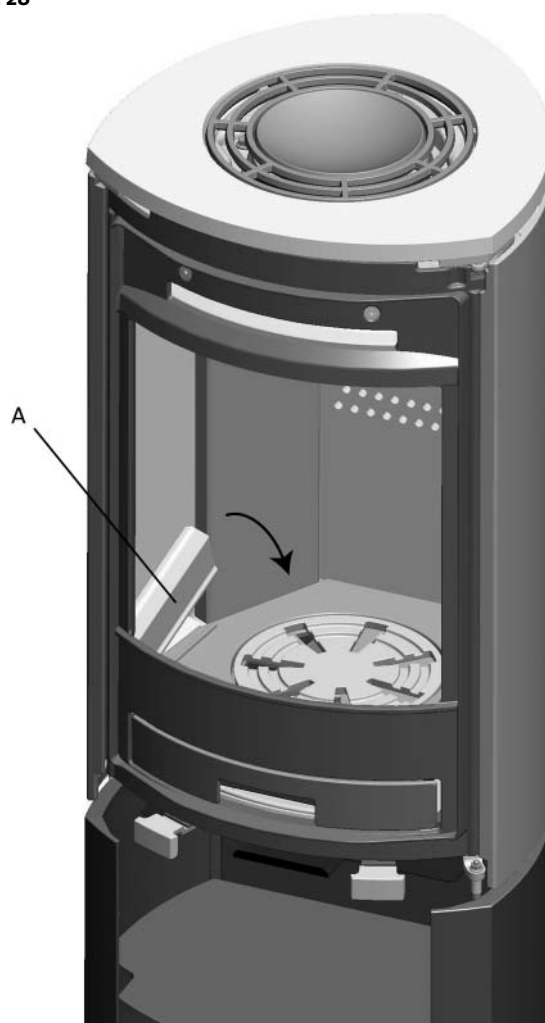
# NEDERLANDS

Afb. 27



3. Plaats het vuurrooster in de juiste positie op de bodemplaat. Controleer of de sleuf van het vuurrooster aan de rechterkant in de regelstang zit (**afb. 27 A**).
4. Plaats de aslade onder in de haard.
5. Plaats de achterbranderplaat in de sleuf aan de achterkant van de onderbranderplaat.
6. Plaats de zijbranderplaten in de groeven aan weerszijden van de onderplaat. Zet de keerplaat zo dat deze rust op de zij- en achterbranderplaten.
7. Leg de keerplaat op de zijbranderplaten.

Afb. 28



8. Plaats de kleine branderplaten (**afb. 28 A**) in de sleuf in de onderplaat onder de zijruiten.
9. Vervang de bovenplaat door het bovenrooster met de kom.
10. Plaats de product informatie plaat, welke in de aslade ligt, onder de verbrandingskamer.

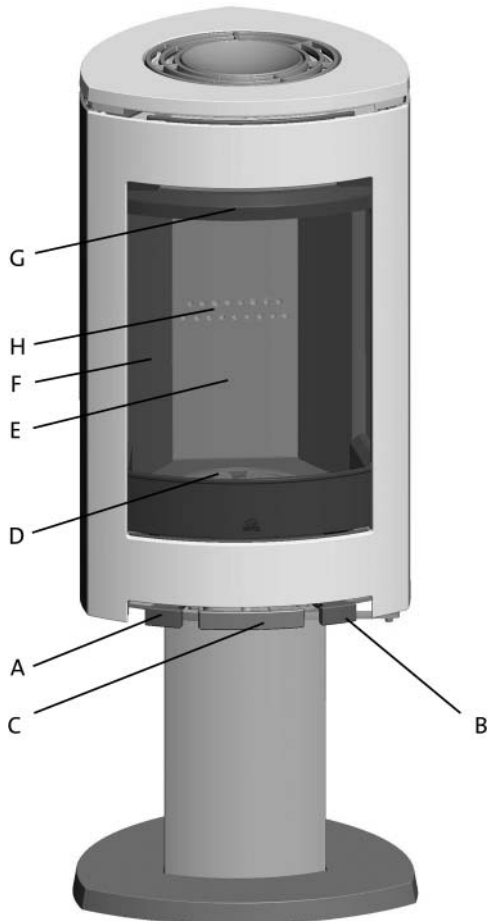


## 4.5 Bedieningsfuncties controleren

Controleer altijd de bedieningsfuncties wanneer de haard op zijn plaats staat. Deze moeten gemakkelijk beweegbaar zijn en naar behoren functioneren.

De Jøtul F 370 is uitgerust met het volgende regelmechanisme:

Afb. 29



### Ventilatieopening, afb. 29 A

Ingeduwd: gesloten  
Uitgetrokken: open

### Stookopening, afb. 29 B

Ingeduwd: gesloten  
Uitgetrokken: open

### Vuurrooster (zelfde handgreep als voor stookopening) (afb. 29 B)

De rechterhendel + kan worden ingeduwd en uitgetrokken.

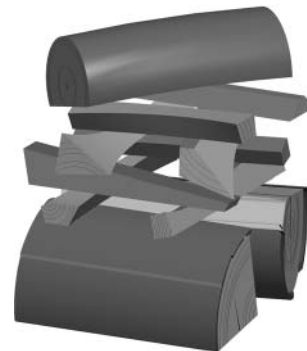
### De handgreep voor de deur afb. 29 C:

wordt geopend door de greep uit te trekken.

## 4.6 Gebruik

- Maak het luchtrooster open door dit helemaal naar rechts te schuiven en maak de stookopening open door de hendel er volledig uit te trekken (afb. 29 A en B). Laat de deur indien nodig op een kiertje staan. (Gebruik een handschoen wanneer de hendel warm is.)
- Leg twee middelgrote blokken (afb. 30) hout aan weerszijden van de grondplaat. NB. Plaats geen hout tegen het glas, om te voorkomen dat het beroet raakt.
- Schuif enkele proppen krantenpapier (of berkenschors) tussen de blokken, leg er enkele aanmaakhoutjes kriskras bovenop en steek het papier aan.
- Zorg ervoor dat het vuur geleidelijk aanwakkert. Het hout mag niet hoger worden opgestapeld dan met een rij gaatjes op de achterste branderplaat is aangegeven (afb. 29 H).
- Sluit de stookopening (afb. 29 B) als u ziet dat het hout goed brandt.
- Controleer of er naverbranding (secundaire verbranding) plaatsvindt. Er branden dan gele vlammen onder de keerplaat.
- Stel vervolgens de verbranding in op het gewenste warmteniveau door de ventilatieopening aan te passen (Afb. 29 A).

Afb. 30



### Houtblokken toevoegen

Stook de kachel regelmatig op, maar gebruik alleen kleine hoeveelheden brandstof tegelijk. Als de kachel te vol is, kan de hitte voor extreme druk in de schoorsteen zorgen. Voeg altijd met mate brandstof bij. Vermijd smeulend vuur omdat dit het meest vervuilend is. Het vuur is het beste als het goed brandt en de rook uit de schoorsteen nauwelijks zichtbaar is.

## 4.7 Gevaar van oververhitting

### De haard mag nooit zo gebruikt worden dat er oververhitting ontstaat.

Oververhitting treedt op als de haard te veel brandstof bevat en/of de luchtopening te ver openstaat zodat er te veel hitte wordt ontwikkeld. Een duidelijk teken van oververhitting is dat er onderdelen van de haard rood gloeien. Als dat gebeurt, moet u de luchtopening direct verkleinen.

Vraag om professioneel advies als u vermoedt dat er geen goede trek in de schoorsteen zit (te veel of te weinig trek).

# NEDERLANDS

## 4.8 De as verwijderen

De Jøtul F 370 Series is voorzien van een aslade, waarmee u de as eenvoudig kunt verwijderen.

1. Verwijder de as niet voor de haard koud is.
2. Schraap de as door het rooster van de grondplaat in de aslade. Gebruik een handschoen of dergelijke om het handvat van de aslade vast te pakken en breng de as weg.
3. Zorg dat de aslade niet zo vol raakt dat de as niet meer door het rooster in de aslade kan komen.

## 5.0 Dagelijks gebruik

### 5.1 Bediening

**NB!** Als de deurhendel dicht is met de deur in de bovenste positie, kan de deur in deze positie gehandhaafd blijven door de deurstop (Fig. 15 A) in de sleuf aan de voorkant te laten zakken.

**NB:** De deur mag niet open zijn als er gestookt wordt. Door de schroef los te draaien (Fig. 15 B) en de deurstop onder de hendel in te draaien, sluit de deur altijd tenzij deze wordt opengehouden.

### Brandadvies

**NB:** Blokken hout die buiten of in een koude ruimte zijn opgeslagen moeten 24 uur voor gebruik naar binnen worden gehaald zodat ze op kamertemperatuur kunnen komen. Er zijn verschillende manieren waarop in de kachel gestookt kan worden, maar het is belangrijk dat u altijd voorzichtig bent met het materiaal dat u in de kachel stopt. Zie het hoofdstuk "Houtkwaliteit".

### Houtkwaliteit

Met kwaliteitshout bedoelen we de meest bekende soorten hout zoals berk, spar en den.

De blokken moeten goed worden gedroogd zodat er niet meer dan 20% vocht in zit.

Om dit te bereiken moet het hout aan het einde van de winter worden gehakt. De blokken moeten worden gekloofd en dusdanig worden gestapeld dat er voldoende ventilatie is. De houtstapel moet worden afgedekt om de blokken tegen regen te beschermen. De blokken moeten begin herfst naar binnen worden gehaald en worden gestapeld/opgeslagen voor gebruik in de komende winter.

Let er goed op dat u de volgende materialen nooit als brandstof voor uw haard gebruikt:

- Huishoudelijk afval, plastic tassen, enz.
- Geverfd of geïmpregneerd hout (dat is uiterst giftig).
- Gelamineerde houten planken.
- Drijfhout

Deze kunnen schade toebrengen aan het product en zijn ook vervuilend.

**NB:** Gebruik nooit benzine, paraffine, methylalcohol of dergelijke vloeistoffen om het vuur aan te steken. Dit kan leiden tot ernstig persoonlijk letsel en schade aan het product.

## Brandstofverbruik

De Jøtul F 370 Series heeft door zijn efficiëntie een nominale capaciteit van **5,5 kW**. Benodigde hoeveelheid hout voor nominale warmteafgifte: ongeveer **1,9 kg per uur**. Een andere belangrijke factor voor het brandstofverbruik is dat het brandhout het juiste formaat heeft. Het brandhout moet het volgende formaat hebben:

### Aanmaakhout:

Lengte: 30 cm

Diameter: 2-5 cm

Hoeveelheid per vuur: 6-8 stuks

### Brandhout (gehakte blokken):

Lengte: Ca 20 - 30cm

Diameter: Ongeveer 8 cm

Intervallen voor het aanvullen van het hout: Ongeveer iedere 45 minuten

Grootte van het vuur: 1,4 kg (nominale vermogen)

Hoeveelheid per lading: 2 stuks

De nominale warmteafgifte wordt bereikt wanneer de ventilatieopening (afb. 29 A) ongeveer 100% is geopend en de hendel voor de stookopening 1 à 2 cm uitgetrokken (afb. 29 B).

## 6.0 Onderhoud

### 6.1 Glas reinigen

De haard is uitgerust met een ventilatieopening voor het glas. Lucht wordt aangezogen door de luchttoevoer boven de haard en stroomt langs de binnenkant van het glas naar beneden.

Toch zal zich altijd wel roet op het glas ophopen. De hoeveelheid is afhankelijk van de luchtstroom ter plaatse en de stand van de ventilatieopening. De roetlaag wordt gewoonlijk grotendeels weggebrand wanneer de ventilatieopening helemaal open staat en de haard flink brandt.

**Goed advies!** Maak voor een gewone schoonmaakbeurt een papieren handdoek nat met warm water en voeg er wat as uit de stookplaats aan toe. Wrijf met het papier over het glas en neem het glas daarna af met schoon water. Laat het glas goed drogen. Wanneer het glas grondig moet worden gereinigd, adviseren wij om glasreiniger te gebruiken (volg de gebruiksaanwijzing op de verpakking).

### 6.2 Reinigen en roet verwijderen

Tijdens gebruik kan zich roet afzetten op de binnenwanden van de haard. Roet werkt isolerend en kan daardoor de warmteafgifte van de haard verminderen. Als er zich te veel roet ophoopt, kunt u deze met een roetverwijderaar eenvoudig verwijderen.

Als u wilt voorkomen dat zich roet of condenswater ophoopt in de haard, moet u regelmatig flink stoken om de gevormde laag te verwijderen.

Een jaarlijkse schoonmaakbeurt is nodig voor een optimale warmteafgifte van het product. U kunt dit bijvoorbeeld doen als de schoorsteen en de kachelpijp worden geveegd.

### 6.3 Kachelpijpen vegen tot aan de schoorsteen

Bij sommige vrijstaande haarden kan de bovenplaat verwijderd worden, waardoor de pijp vanuit de haard kan worden geveegd. Als dit niet het geval is, moet de kachelpijp geveegd worden via het veegluik of de deuropening.

## 6.4 Inspectie van de haard

Jøtul raadt u aan om na het reinigen/vegen zelf een grondige inspectie van de haard uit te voeren. Controleer alle zichtbare oppervlakken op scheuren. Controleer ook of de deur- en glasafdichtingen luchtdicht afsluiten en of de pakkingen nog op hun plaats zitten. Pakkingen die sporen van slijtage of vervorming vertonen, moeten worden vervangen.

Maak de pakkinggroeven grondig schoon, breng keramische lijm aan (te verkrijgen bij uw Jøtul-dealer) en druk de pakking goed in de groef. De lijm heeft een korte droogtijd.

## 6.5 De buitenkant onderhouden

Bij haarden met een laklaag kan na een paar jaar verkleuring optreden. Voordat u een nieuwe laag verf aanbrengt, moet u het oppervlak reinigen en alle losse deeltjes wegvegen.

## 7.0 Groot onderhoud

**Waarschuwing!** Het is niet toegestaan dit product zonder toestemming te wijzigen. Gebruik alleen originele reserveonderdelen.

### 7.1 De keerplaat/keerklep vervangen

*(NB! Houd er rekening mee dat platen van aardewerk door een ruwe behandeling met gereedschap kunnen worden beschadigd).*

1. Til de keerplaat aan de voorkant op en kantel deze uit de haard (Afb. 29 G). Verwijder de zijbranderplaten (afb. 29 F) en de achterbranderplaat (afb. 29 E).
2. De gietijzeren keerklep, die zich boven de keerplaat bevindt, rust met de stang op de ribben aan de achterkant van de schoorsteenuitgang (afb. 26 A). Til de keerklep iets omhoog, trek deze naar voren en kantel hem eruit.
3. Volg bij de montage dezelfde procedure, maar in omgekeerde volgorde.

### 7.2 De branderplaten/onderplaat vervangen

*(NB. Houd er rekening mee dat platen van aardewerk door een ruwe behandeling met gereedschap kunnen worden beschadigd).*

1. Til de keerplaat aan de voorkant op en kantel deze uit de haard. Verwijder de zijbranderplaten (afb. 29 F) en de achterbranderplaat (afb. 29 E).
2. Til vervolgens het rooster en de onderplaat op en verwijder ze uit de haard (afb. 29 D).
3. Volg dezelfde procedure bij de installatie, maar dan in omgekeerde volgorde.
4. Let op dat bij het terugplaatsen van het rooster en de onderplaat de stang waarmee het schudrooster kan worden bewogen, op de juiste wijze in de sleuf aan de rechterkant van het vuurrooster valt. (Zie afb. 27 A).

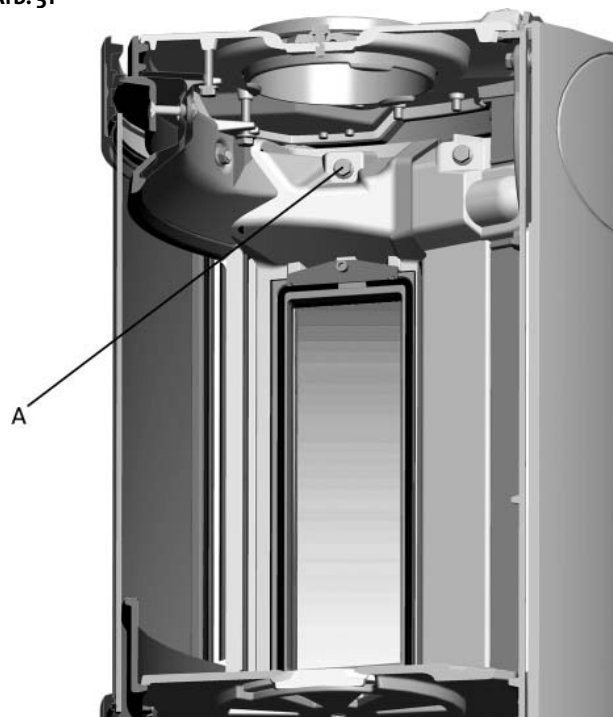
### 7.3 Het glas aan de zijkant, binnen/buiten, vervangen

1. Til de keerplaat aan de voorkant op en kantel deze uit de haard. Verwijder de zijbranderplaten (afb. 29 F) en de achterbranderplaat (afb. 29 E).
2. De gietijzeren keerklep, die zich boven de keerplaat bevindt,

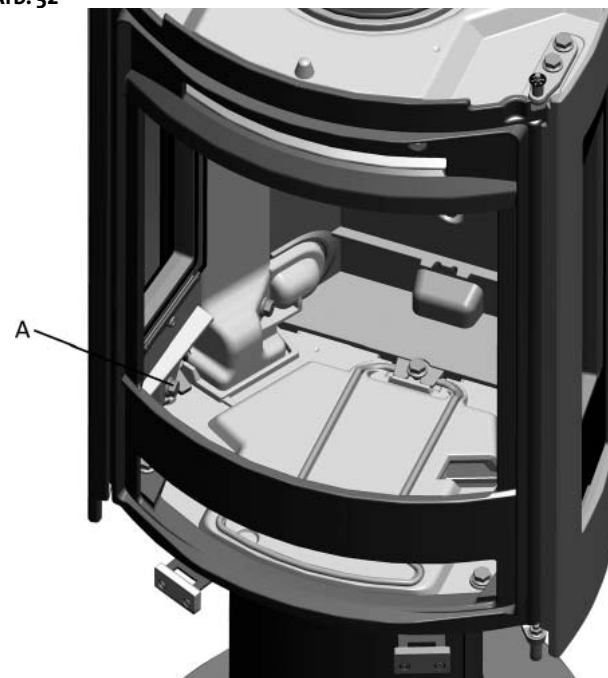
rust met de stang op de ribben aan de schoorsteenuitgang aan de achterkant (afb. 26 A). Til de keerklep iets omhoog, trek deze naar voren en kantel hem eruit.

3. Verwijder het vuurrooster, de bodemplaat en de aslade (afb. 29 D).

Afb. 31



Afb. 32



4. Draai de bovenste de onderste schroeven los (afb. 31 A en 32 A) en til de glashouder met het glas voorzichtig door de deur naar buiten. **NB** De glashouder houdt ook de buitenste ruit op zijn plaats.
5. Verwijder het glas en vervang zonodig de pakkingen. Vervang zonodig de buitenste ruit.
6. Volg bij de montage dezelfde procedure, maar in omgekeerde volgorde.

## 8.0 Gebruiksproblemen - problemen oplossen

### Slechte trek

1. Controleer de lengte van de schoorsteen en of hij voldoet aan de geldende wetten en voorschriften.
2. Zorg ervoor dat de minimale afmetingen van de schoorsteen overeenkomen met de beschrijving in «**2.0 Technische gegevens**».
3. Controleer of de afvoer van gassen niet wordt belemmerd, zoals bijvoorbeeld door takken of bomen, enzovoort.
4. Als u vermoedt dat de schoorsteen overmatig of onvoldoende trekt, neemt u contact op met een deskundige die maatregelen kan nemen.

### Het vuur gaat na enige tijd uit

1. Controleer of het brandhout droog genoeg is.
2. Controleer of er onderdruk is in de woning, sluit mechanische ventilatiesystemen en open een raam dicht bij de haard.
3. Controleer of de ventilatieopening is geopend.
4. Controleer of de kachelpijp niet verstopt is met roet.

### Als er zich een ongebruikelijke hoeveelheid roet ophoopt op het glas

Er zal zich altijd roet ophopen op het glas, maar de hoeveelheid is afhankelijk van:

1. De vochtigheid van de brandstof.
2. De luchtstroom ter plaatse.
3. De instelling van de ventilatieopening.

De roetlaag wordt gewoonlijk grotendeels weggebrand wanneer de ventilatieopening helemaal open staat en de haard flink brandt. (Zie «**6.1 Glas reinigen – goed advies**».)

## 9.0 Optionele accessoires

### 9.1 Decoratieplaten

Decoratieplaten, voor zijruiten (2 stuks), zwartgelakt

- *bestelnr. 50037271 (350990)*

Decoratieplaten, voor zijruiten (2 stuks), grijsgelakt

- *bestelnr. 50037272 (350991)*

Speksteen, bovensteen van 25 mm, een stuk - cat. nr. 50012988 (350992).

Speksteen, driedelige bovensteen van 25 mm - cat. nr. 50013013 (361011), *vervanging voor 50012988 (350992) met stalen schoorsteen.*

### 9.2 Glazen decoratieset, bovenzijde, zijkanten en voorzijde

(met afzonderlijke instructies voor de montage)

Glazen set voor rookafvoer achterzijde, zwartgelakt,

- *bestelnr. 51012250 (350993)*

Glazen set voor rookafvoer achterzijde, grijsgelakt,

- *bestelnr. 51012251 (350994)*

Glazen set voor rookafvoer bovenzijde, zwartgelakt,

- *bestelnr. 51012252 (350995)*

Glazen set voor rookafvoer bovenzijde, grijsgelakt,

- *bestelnr. 51012253 (350996)*

### 9.3 Draaiset

Zie de afzonderlijke installatie-instructies.

Draaiset voor Jøtul F 373, - *bestelnr. 51012254 (350997)*

### 9.4 Houtopslag

Zwartgelakt - *bestelnr. 50012995 (351160)*

Grijsgelakt - *bestelnr. 50013037 (351161)*

### 9.5 Gietijzeren deur voor voetstuk (Jøtul F 371)

Zwartgelakt - *bestelnr. 51036917 (361115)*

Grijsgelakt - *bestelnr. 51036918 (361116)*

### 9.6 High Top

Cat. nr. 51012304

### 9.7 Warmteopslagsysteem

Cat. nr. 10026701

### 9.8 Speksteen

Jøtul F 377 speksteenset, cat. nr. 21043545

Jøtul F 377 HT speksteenset, cat. nr. 21043546

### 9.9 Convectieset

Jøtul F 370 C, convectie, zijkanten, BP, cat. nr. 50043647

Jøtul F 370 C, convectie, bovenzijde, BP, cat. nr. 50043642

## 10.0 Garantie

Jøtul AS biedt haar klanten een garantie van tien jaar inclusief het recht op teruggaaf van externe gietijzeren items ingeval deze defecten vertonen als gevolg van verkeerde materialen en/of fabricage na de initiële aankoop/installatie van de kachel. De koper behoudt het recht goederen terug te geven onder voorwaarde dat de kachel is geïnstalleerd in overeenstemming met huidige wet- en regelgeving en in overeenstemming met de installatie- en bedieningsinstructies van Jøtul.

### **De garantie dekt niet:**

De installatie van optionele extra's, bijv. om de trek in de schoorsteen ter plekke, of de luchttoevoer of andere omstandigheden buiten de invloedssfeer van Jøtul te corrigeren. De garantie dekt geen verbruiksgoederen zoals brandplaten, rookschotten, vuurroosters, bodemroosters, hittebestendig materiaal, dempers en pakkingen, aangezien deze in de loop der tijd achteruitgaan als gevolg van normale slijtage. De garantie dekt geen schade als gevolg van het gebruik van niet-geschikte brandstof bij het ontsteken van het vuur, zoals bijvoorbeeld drijfhout, geïmpregneerd of geverfd hout, plankdelen, chipplaten, enz. Oververhitting kan eenvoudig optreden ingeval van gebruik van niet-geschikte brandstof, d.w.z. dat de kachel gloeiend rood wordt, met als gevolg dat de verf verkleurt en de gietijzeren delen scheuren.

De garantie is niet geldig ingeval van schade tijdens het vervoer van de distributeur naar het afleveradres. De garantie is eveneens niet geldig ingeval van schade als gevolg van het gebruik van niet-originele onderdelen.



## Sluttkontroll av ildsteder

## Quality control of stoves and fireplaces

Checked

Utført	Kontrollpunkt	Controlled item
✓	Alle deler er med i produktet (ifølge struktur).	All parts are included.
✓	Alle festemidler er av korrekt type, og er korrekt anvendt.	Correct fastener items have been used and correctly applied.
✓	Overflater er i samsvar med Jøtuls kvalitetsstandarder.	Surfaces comply with Jøtul workmanship standards.
✓	Lukkemekanismer fungerer som de skal, og uten behov for unødig stor kraft.	Door locking mechanisms function correctly; excessive force is not needed.
✓	Produktet/serien møter kravet for lekkasjetest.	The product/lot complies with the leakage test requirement.
✓	Lakkerte/emaljerte overflater møter kravene i Jøtuls kvalitetsstandarder.	Paint/enamel surface finish complies with Jøtul workmanship standards.
✓	Produktet er fritt for utvendig kitt- eller limklin.	Surfaces are not contaminated by external stove cement or glue.
✓	Produktet har ingen sprekker i glass, støpejern eller andre deler.	There are no cracks in glass, cast iron or other parts.
✓	Pakninger er riktig lagt, og skjemmer ikke produktet ved stygge ender eller ved at pakningen er unødig synlig.	Gaskets are correctly applied and do not degrade product appearance (i.e. loose ends or excessive visible exposure).
✓	Dørpakninger er godt limt.	Door gaskets are firmly glued/fixed to the door.
✓	Dørpakninger har tilfredsstillende pakningstrykk.	Door gaskets provide satisfactory sealing.
✓	Sjekk at det ikke "lyser gjennom" i dørpakning eller andre sammenføyninger.	Check for "light through" at door seals and other relevant locations.
✓	Trekkhendler osv fungerer normalt.	The function of air valve handle etc is normal.

Jøtul bekrefter herved at dette produktet er kontrollert og funnet å være i samsvar med våre kvalitetsnormer.	Jøtul hereby confirm that this product has been QC inspected and found to comply with our quality standards.
<b>Lot. No. / Serie nr. - Checked by / kontrollert av</b>	

Cat.no. 10043347 - Po2  
Jøtul AS, Nov. 2011

Jøtul arbeider kontinuerlig for om mulig å forbedre sine produkter, og vi forbeholder oss retten til å endre spesifikasjoner, farger og utstyr uten nærmere kunngjøring.

Jøtul pursue a policy of constant product development. Products supplied may therefore differ in specification, colour and type of accessories from those illustrated and described in the brochure.

Jøtul vise sans cesse à améliorer ses produits. C'est pourquoi, il se réserve le droit de modifier les specifications, couleurs et équipements sans avis préalable.

#### **Kvalitet**

Jøtul AS arbeider etter et kvalitetssikringssystem basert på NS-EN ISO 9001 for utvikling, produksjon og salg av ildsteder. Vår kvalitetspolitikk skal gi kundene den trygghet og kvalitetsopplevelse som Jøtul har stått for siden bedriftens historie startet i 1853.

#### **Quality**

Jøtul AS has a quality system that conforms to NS-EN ISO 9001 for product development, manufacturing, and distribution of stoves and fireplaces. This policy gives our customers quality and safety piece of mind as a result of Jøtul's vast experience dating back to when the company first started in 1853.

#### **Qualité**

Le système de contrôle de la qualité de Jøtul AS est conforme à la norme NS-EN ISO 9001 relative à la conception, à la fabrication et à la distribution de poêles, foyers et inserts. Cette politique nous permet d'offrir à nos clients une qualité et une sécurité reposant sur la vaste expérience accumulée par Jøtul depuis sa création en 1853.



**Jøtul AS,**  
P.O. box 1411  
N-1602 Fredrikstad,  
Norway  
[www.jotul.com](http://www.jotul.com)