

# **Extraflame**®

Riscaldamento a Pellet



**UK**

**THERMO PRODUCTS USER MANUAL**

**RAFFAELLA IDRO H15-H18**

**MADE IN ITALY**  
design & production

004282182 - REV.000

APPLY TECHNICAL  
DATA LABEL

## ⚠ ATTENTION

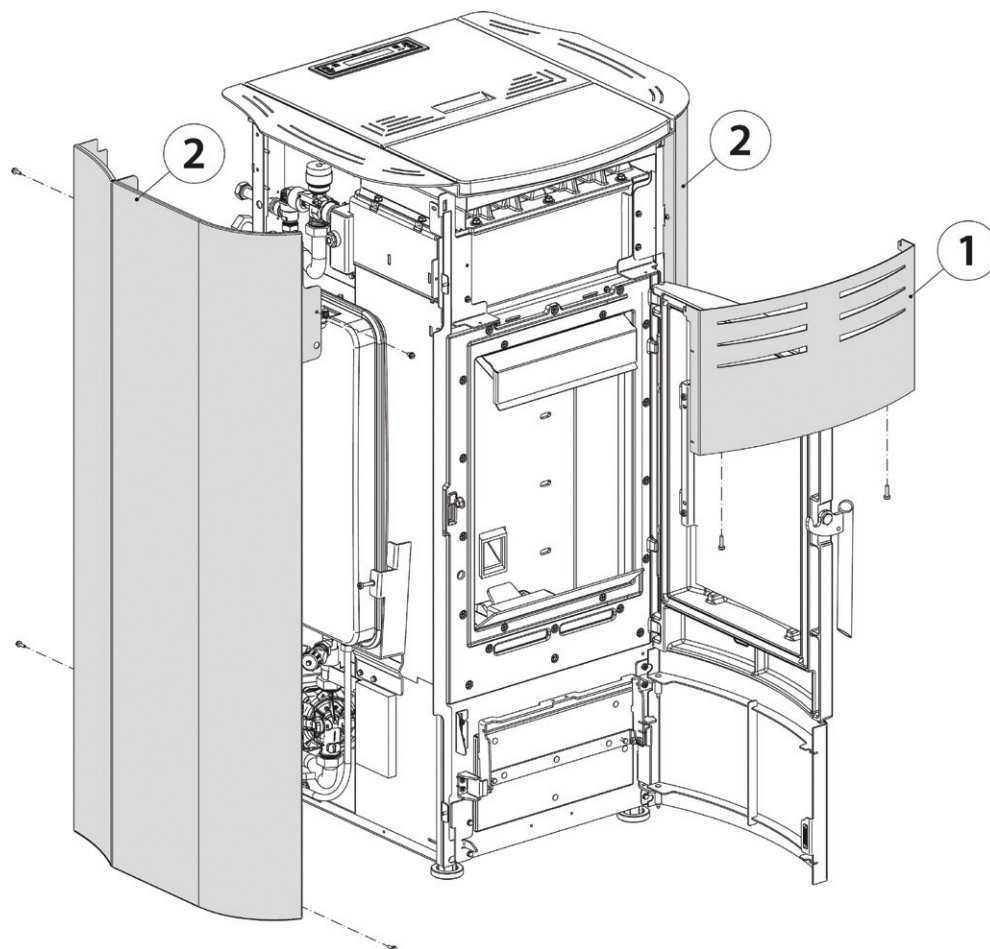


**SURFACES CAN BECOME VERY HOT!  
ALWAYS USE PROTECTIVE GLOVES!**

*During combustion, thermal energy is released that significantly increases the heat of surfaces, doors, handles, controls, glass, exhaust pipes, and even the front of the appliance. Avoid contact with those elements if not wearing protective clothing (protective gloves included). Make sure children are aware of the danger and keep them away from the stove during operation.*

<b>ENGLISH</b> .....	<b>5</b>
<b>WARNINGS</b> .....	<b>5</b>
<b>SAFETY</b> .....	<b>5</b>
<b>ROUTINE MAINTENANCE</b> .....	<b>7</b>
<b>INSTALLATION</b> .....	<b>8</b>
PREPARATIONS FOR MAINTENANCE .....	8
<b>HYDRAULIC SYSTEM</b> .....	<b>10</b>
INSTALLATION AND SAFETY DEVICES .....	10
<b>ANTI-CONDENSATION DEVICE (MANDATORY)</b> .....	<b>11</b>
<b>DETAILS RAFFAELLA IDRO H15-H18</b> .....	<b>12</b>
ON/OFF .....	12
<b>FEATURES</b> .....	<b>13</b>
<b>CHECKS AND MEASURES FOR COMMISSIONING</b> .....	<b>13</b>
THE PELLET LOAD MOTOR DOES NOT FUNCTION: .....	13
BULB THERMOSTATS - REARM .....	13
<b>STOVE POSITIONING</b> .....	<b>14</b>
<b>NOTE FOR CORRECT OPERATION</b> .....	<b>14</b>
BULB THERMOSTAT REACTIVATION .....	14
FUSE .....	14
<b>PELLETS AND LOADING</b> .....	<b>15</b>
<b>PELLET HOPPER</b> .....	<b>15</b>
<b>REMOTE CONTROL</b> .....	<b>16</b>
REMOTE CONTROL ICONS .....	17
INSERTING THE BATTERIES .....	17
ADVICE AND PRECAUTIONS FOR THE USE OF THE REMOTE CONTROL .....	17
<b>CONTROL BOARD</b> .....	<b>18</b>
ICON KEY .....	18
GENERAL MENU .....	19
GENERAL WARNINGS .....	19
<b>FIRST IGNITION SETTINGS</b> .....	<b>20</b>
DATE-TIME .....	20
LANGUAGE .....	20
DEGREES .....	20
<b>OPERATION AND LOGIC</b> .....	<b>21</b>
<b>ADDITIONAL THERMOSTAT</b> .....	<b>22</b>
ADDITIONAL THERMOSTAT FUNCTIONING WITH STAND-BY ACTIVE .....	22
ADDITIONAL THERMOSTAT OPERATION WITH STAND-BY DEACTIVATED .....	22
ADDITIONAL THERMOSTAT INSTALLATION .....	22
<b>VENTILATION</b> .....	<b>23</b>
<b>EASY SETUP</b> .....	<b>23</b>
<b>CHRONO</b> .....	<b>24</b>
ENABLING/DISABLING THE CHRONO .....	24
<b>SETTINGS</b> .....	<b>26</b>
DISPLAY .....	26
STAND - BY .....	26
FIRST LOAD .....	26
OUTLET AIR .....	26
RESET .....	27
EASY CONTROL .....	27
<b>ADDITIONAL FUNCTIONS</b> .....	<b>27</b>
KEYS LOCKED .....	27
<b>CLEANING AND MAINTENANCE</b> .....	<b>28</b>
<b>MAINTENANCE</b> .....	<b>28</b>
PERIODIC CLEANING UNDER USER'S RESPONSIBILITY .....	28
<b>ROUTINE MAINTENANCE PERFORMED BY QUALIFIED TECHNICIANS</b> .....	<b>30</b>
SHUT-DOWN (END OF SEASON) .....	30
<b>DISPLAYS</b> .....	<b>32</b>
<b>ALARMS</b> .....	<b>33</b>
<b>DISPOSAL</b> .....	<b>35</b>

ITALIANO	ENGLISH	FRANÇAIS
ATTENZIONE TASSATIVO PRIMA DI MOVIMENTARE LA STUFA TOGLIERE IL RIVESTIMENTO INDICATO PER EVITARE DANNI.	WARNING BEFORE HANDLING THE STOVE, THE COVERING INDICATED MUST BE RE- MOVED TO AVOID DAMAGE.	ATTENTION IMPÉRATIF AVANT DE DÉPLACER LE POËLE, RETIRER LE REVÊTEMENT INDIQUÉ POUR ÉVITER TOUT DOMMAGE.
DEUTSCH	ESPAÑOL	PORTUGUÊS
ACHTUNG PFLICHT BEVOR DER OFEN BEWEGT WIRD, MUSS DIE ANGEZEIGTE VERKLEIDUNG ENTFERNT WERDEN, UM SCHÄDEN ZU VERMEIDEN.	ATENCIÓN TAXATIVO ANTES DE MANEJAR LA ESTUFA QUI- TE EL REVESTIMIENTO INDICADO PARA EVITAR DAÑOS.	ATENÇÃO OBRIGATÓRIO ANTES DE MOVIMENTAR O AQUECEDOR, RETIRAR O REVESTIMENTO INDICADO PARA EVITAR DANOS.
EESTI	DANSK	HRVATSKI
KOHUSTUSLIK TÄHELEPANU ENNE PIIIDI TEISALDAMIST EEMALDAGE VOODER NÄIDATUD KAHJUSTUSTE VÄLTIMISEKS.	OBS FJERN DET ANGIVNE DÆKSEL, INDEN OVNEN FLYTTES FOR AT UNDGÅ SKADE.	OBAVEZNA PAŽNJA PRIJE PREMJEŠTANJA ŠTEDNJAKA UKLONITE OBLOGU OZNAČENO ZA IZBJEGAVANJE OŠTEĆENJA.
SLOVENSKI	NEDERLANDS	POLSKI
OBVEZNA POZOR PRED PREMI- KANJEM PEČI ODSTRANITE OBLOGO PRIKAZANA ZA PREPREČEVANJE ŠKODE.	IMPERATIEVE AANDACHT VOORDAT U DE KACHEL VERPLAATST VERWIJDER DE AANGEGEVEN KAP OM SCHADE TE VOO RKOMEN.	OBOWIĄZKOWA UWAGA! PRZED PRZENIESIENIEM PIECA ZDEJMIJ OBUDOWĘ WSKAZANY, ABY UNIKNĄĆ USZKODZEŃ.
SLOVENSKÉ	ΕΛΛΗΝΑΣ	LIETUVA
POVINNÁ POZOR PRED PREMIESTNENÍM KACHLÍ ODSTRÁŇTE OBKLAD OZNAČENÉ, ABY NEDOŠLO K POŠKODENIU.	ΥΠΟΧΡΕΩΤΙΚΗ ΠΡΟΣΟΧΗ ΠΡΙΝ ΜΕΤΑΚΙΝΗΣΕΤΕ ΤΗ ΣΟΜΠΑ, ΑΦΑΙΡΕΣΤΕ ΤΗΝ ΕΠΕΝΔΥΣΗ ΕΝΔΕΙΚΝΥΤΑΙ ΓΙΑ ΑΠΟΦΥΓΗ ΖΗΜΙΩΝ.	PRIVALOMAS DĖMESIS PRIEŠ PERKELDAMI VIRYKLĘ, NUIMKITE APVALKALĄ NURODOMA, KAD BŪTŲ IŠVENGTA ŽALOS.



*We thank you for having chosen our company; our product is a great heating solution developed from the most advanced technology with top quality machining and modern design, aimed at making you enjoy the fantastic sensation that the heat of a flame gives, in complete safety.*

## **WARNINGS**

This instructions manual is an integral part of the product: make sure that it always accompanies the appliance, even if transferred to another owner or user, or if transferred to another place. If it is damaged or lost, request another copy from the area technician. This product is intended for the use for which it has been expressly designed. The manufacturer is exempt from any liability, contractual and extracontractual, for injury/damage caused to persons/animals and objects, due to installation, adjustment and maintenance errors and improper use.

**Installation must be performed by qualified staff, which assumes complete responsibility for the definitive installation and consequent good functioning of the product installed. One must also bear in mind all laws and national, regional, provincial and town council Standards present in the country in which the appliance has been installed, as well as the instructions contained in this manual.**

**The use of the appliance must comply with all local, regional, national and European regulations.**

**The Manufacturer cannot be held responsible for the failure to comply with such precautions.**

**After removing the packaging, ensure that the content is intact and complete. Otherwise, contact the dealer where the appliance was purchased. All electric components that make up the product must be replaced with original spare parts exclusively by an authorised after-sales centre, thus guaranteeing correct functioning.**

## **SAFETY**

**♦ THE APPLIANCE MAY BE USED BY CHILDREN 8 YEARS OF AGE OR OLDER AND INDIVIDUALS WITH REDUCED PHYSICAL, SENSORY, OR MENTAL CAPACITIES OR WITHOUT EXPERIENCE OR THE NECESSARY KNOWLEDGE, PROVIDED THAT THEY ARE SUPERVISED OR HAVE**

RECEIVED INSTRUCTIONS ON SAFE USE OF THE APPLIANCE AND THAT THEY UNDERSTAND THE INHERENT DANGERS.

- ◆ THE GENERATOR MUST NOT BE USED BY PERSONS (INCLUDING CHILDREN) WITH REDUCED PHYSICAL, SENSORY AND MENTAL CAPACITIES OR WHO ARE UNSKILLED PERSONS, UNLESS THEY ARE SUPERVISED AND TRAINED REGARDING USE OF THE APPLIANCE BY A PERSON RESPONSIBLE FOR THEIR SAFETY.
- ◆ THE CLEANING AND MAINTENANCE REQUIRED BY THE USER MUST NOT BE PERFORMED BY CHILDREN WITHOUT SUPERVISION.
- ◆ CHILDREN MUST BE CHECKED TO ENSURE THAT THEY DO NOT PLAY WITH THE APPLIANCE.
- ◆ DO NOT TOUCH THE GENERATOR WHEN YOU ARE BAREFOOT OR WHEN PARTS OF THE BODY ARE WET OR DAMP.
- ◆ IT IS FORBIDDEN TO MODIFY THE APPLIANCE IN ANY WAY.
- ◆ DO NOT PULL, REMOVE, TWIST THE ELECTRICAL CABLES COMING OUT OF THE PRODUCT EVEN IF IT IS DISCONNECTED FROM THE MAINS.
- ◆ IT IS ADVISED TO POSITION THE POWER SUPPLY CABLE SO THAT IT DOES NOT COME INTO CONTACT WITH HOT PARTS OF THE APPLIANCE.
- ◆ THE POWER SUPPLY PLUG MUST BE ACCESSIBLE AFTER INSTALLATION.
- ◆ DO NOT CLOSE OR REDUCE THE DIMENSIONS OF THE AIRING VENTS IN THE PLACE OF INSTALLATION. THE AIRING VENTS ARE ESSENTIAL FOR CORRECT COMBUSTION.
- ◆ DO NOT LEAVE THE PACKAGING ELEMENTS WITHIN REACH OF CHILDREN OR UNASSISTED DISABLED PERSONS.
- ◆ THE HEARTH DOOR MUST ALWAYS BE CLOSED DURING NORMAL FUNCTIONING OF THE PRODUCT.
- ◆ WHEN THE APPLIANCE IS FUNCTIONING AND HOT TO THE TOUCH, ESPECIALLY ALL EXTERNAL SURFACES, ATTENTION MUST BE PAID
- ◆ CHECK FOR THE PRESENCE OF ANY OBSTRUCTIONS BEFORE SWITCHING THE APPLIANCE ON FOLLOWING A PROLONGED PERIOD OF INACTIVITY.
- ◆ THE GENERATOR HAS BEEN DESIGNED TO ADJUST ITSELF AUTOMATICALLY IN PARTICULAR OPERATING CONDITIONS
- ◆ THE GENERATOR HAS BEEN DESIGNED TO FUNCTION IN ANY CLIMATIC CONDITION. IN PARTICULARLY ADVERSE CONDITIONS

**(STRONG WIND, FREEZING) SAFETY SYSTEMS MAY INTERVENE THAT SWITCH THE GENERATOR OFF. IF THIS OCCURS, CONTACT THE TECHNICAL AFTER-SALES SERVICE AND ALWAYS DISABLE THE SAFETY SYSTEMS.**

♦ **IN THE EVENT THE FLUE CATCHES FIRE, USE SUITABLE SYSTEMS FOR SUFFOCATING THE FLAMES OR REQUEST HELP FROM THE FIRE BRIGADE.**

♦ **THIS APPLIANCE MUST NOT BE USED TO BURN WASTE**

♦ **DO NOT USE ANY FLAMMABLE LIQUIDS FOR IGNITION**

♦ **DURING THE FILLING PHASE DO NOT PUT THE BAG OF PELLETS TO INTO CONTACT WITH THE PRODUCT**

♦ **THE MAJOLICAS ARE TOP QUALITY ARTISAN PRODUCTS AND AS SUCH CAN HAVE MICRO-DOTS, CRACKLES AND CHROMATIC IMPERFECTIONS. THESE FEATURES HIGHLIGHT THEIR VALUABLE NATURE. DUE TO THEIR DIFFERENT DILATION COEFFICIENT, THEY PRODUCE CRACKLING, WHICH DEMONSTRATE THEIR EFFECTIVE AUTHENTICITY. TO CLEAN THE MAJOLICAS, IT IS RECOMMENDED TO USE A SOFT, DRY CLOTH. IF A DETERGENT OR LIQUID IS USED, THE LATTER COULD PENETRATE INSIDE THE CRACKLES, HIGHLIGHTING THEM.**

♦ **SINCE THE PRODUCT CAN TURN ON AUTOMATICALLY THANKS TO THE TIMER, OR REMOTELY USING THE DEDICATED APPLICATIONS, IT IS STRICTLY FORBIDDEN TO LEAVE ANY COMBUSTIBLE OBJECT WITHIN THE SAFETY DISTANCES INDICATED ON THE TECHNICAL DATA PLATE.**

♦ **INTERNAL COMBUSTION CHAMBER PARTS CAN BE SUBJECT TO EXTETICAL WARN, IT DOESN'T AFFECT THE FUNCTIONALITY**

## **ROUTINE MAINTENANCE**

Based on Decree 22 January 2008 n°37 art.2, routine maintenance means interventions aimed at reducing degradation due to normal use, as well as dealing with accidental events entailing the need of first interventions, which however do not modify the structure of the system upon which one is intervening or its intended use according to the requirements laid down by the technical standards in force and by the manufacturer's use and maintenance manual.

## INSTALLATION

### GENERAL

The flue gas exhaust and hydraulic connections must be carried out by qualified personnel who must issue installation conformity documentation compliant with national standards.

**The installer must provide the owner or person acting for him, according to the legislation in force, with the declaration of conformity, supplied with:**

- 1) the use and maintenance manual of the appliance and of the system components (such as for example, the smoke ducts, chimney, etc.);
- 2) photocopy or photograph of the chimney plaque;
- 3) system booklet (where applicable).

*The installer must ask to be issued with a receipt stating that the documentation has been provided, and must keep it with a copy of the technical documentation relating to the installation.*

For installation in a condominium, prior approval from the condominium's administrator must be requested.

Where required, check the exhaust gas emissions after installation. Should a sampling point be installed, it must be airtight.

### COMPATIBILITY

Do not install in rooms with a fire hazard. It is also forbidden to install it in living areas with the following characteristics:

1. where there are liquid fuel appliances with continuous or discontinuous operation that draw the combustion air into the room in which they are installed.
2. where there are type B gas appliances intended for heating, with or without domestic hot water production and in adjacent and communicating rooms.
3. where the depression measured in situ between the external and internal environment is greater than 4 Pa.

N.B.: Watertight appliances can also be installed in the cases indicated in points 1, 2 and 3 of this paragraph.

### INSTALLATIONS IN BATHROOMS, BEDROOMS AND STUDIO FLATS

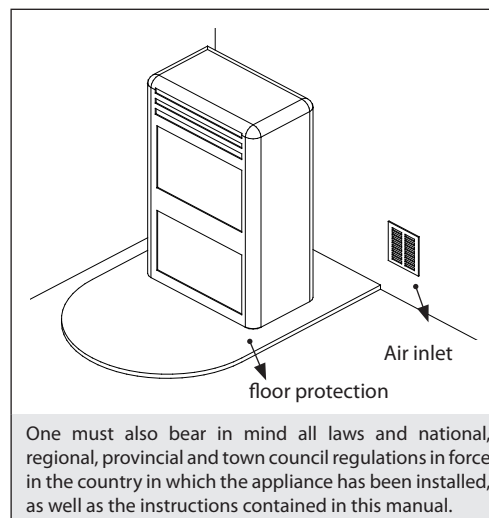
Installation in bathrooms, bedrooms and studio flats is only allowed for sealed or closed hearth appliances with ducted combustion air taken from the outside.

### POSITIONING AND SAFETY DISTANCES

The support surfaces and/or points must have a suitable capacity to bear the overall weight of the appliance, accessories and coverings. If the floor is made of a combustible material, we recommend using a non-combustible material to protect the front part from any burnt material which might fall during routine cleaning operations. The generator must be level to function properly. The side walls, the rear walls and the floor support surface should be made of non-combustible material.

### MINIMUM DISTANCES (PELLET STOVES)

Installation next to flammable or heat-sensitive materials is permitted **only if the special safety distances specified on the label at the beginning of the manual (pag.2) are observed**. If the materials are not flammable, you must keep a side and rear distance of at least 100 mm (without the inserts). For products equipped with rear spacers, wall-mounting installation is permitted exclusively for the rear side.



### PREPARATIONS FOR MAINTENANCE

To carry out extraordinary maintenance operations on the product, it may be necessary to move it away from the adjacent walls. This must be done by a technician authorised to disconnect the combustion product evacuation ducts and then reconnect them. For heaters connected to the hydraulic system, the connection between the system itself and the product must be made in such a way that, when an authorised technician is about to carry out extraordinary maintenance operations, it is possible to move the heater at least 1 metre away from the adjacent walls.

### INSTALLING INSERTS

When installing inserts, access must be prevented to the internal parts of the appliance and it must not be possible to access live parts during extraction operations.

Any wiring, for example the power cable or room probe, must be positioned so as not to be damaged during movement of the insert and must not come into contact with hot parts. If a cavity made of combustible material is installed, we recommend taking all the safety precautions indicated by the installation standards.

### VENTILATION AND AERATION OF INSTALLATION ROOMS

In case of non-airtight heater and/or installation, the ventilation must respect the minimum area indicated below (considering the highest value among those provided):

Appliance categories	Reference standard	Percentage of the net opening section with respect to the appliance fumes outlet section	Minimum net opening value of the ventilation duct
Pellet stoves	UNI EN 14785	-	80 cm <sup>2</sup>
Boilers	UNI EN 303-5	50%	100 cm <sup>2</sup>

**Under any condition, including in the presence of extractor hoods and/or of controlled forced ventilation systems, the pressure difference between the generator installation rooms and the outside must always be equal to or less than 4 Pa.**



In the presence of type B gas appliances with intermittent operation not intended for heating, they must have their own aeration and/or ventilation opening.

The air inlets must meet the following requirements:

- ♦ they must be protected with grids, metal mesh, etc., but without reducing the net useful section;
- ♦ they must be made so as to make the maintenance operations possible;
- ♦ positioned so that they cannot be obstructed;

The clean and non-contaminated air flow can also be obtained from a room adjacent to that of installation (indirect aeration and ventilation), as long as the flow takes place freely through permanent openings communicating with the outside.

The adjacent room cannot be used as a garage, or to store combustible material or for any other activity with a fire hazard, bathroom, bedroom or common room of the building.

## FLUE GAS EXHAUST

The heat generator works in depression and is equipped with an outlet fan for flue gas extraction. There must be a single exhaust system for the generator. Using a flue that is shared with other devices is not allowed.

The components of the flue gas exhaust system must be chosen in relation to the type of appliance to be installed in compliance with:

- ♦ UNI/TS 11278 in the event of metal chimneys, with particular attention to that stated in the specification;
- ♦ UNI EN 13063-1 and UNI EN 13063-2, UNI EN 1457, UNI EN 1806 in the event of non-metallic chimneys.
- ♦ The length of the horizontal section must be minimal and, in any case, no longer than 3 metres, with a minimum upward slope of 3%
- ♦ There must not be more than 4 direction changes including the one due to the use of the "T" element.
- ♦ A "T" fitting with a condensation collection cap must be provided at the base of the vertical section.
- ♦ If the exhaust is not inserted in an existing flue, a vertical section with a windproof end piece is required (UNI 10683).
- ♦ The vertical duct can be inside or outside the building. If the smoke duct is inserted in an existing flue, it must be certified for solid fuel.
- ♦ If the smoke duct is outside the building, it must always be insulated.
- ♦ The smoke ducts must have at least one airtight inlet for flue gas sampling.
- ♦ All the sections of the flue gas duct must be accessible to inspection.
- ♦ Inspection openings must be provided for cleaning.
- ♦ If the generator has a fume temperature lower than 160°C+ ambient temperature caused by the high yield (contact technicians) it MUST be resistant to humidity.
- ♦ A flue system that does not respect the previous points or, in general, that does not comply with the regulations, may cause condensation phenomena inside it.

## CHIMNEY CAP

The chimney caps must meet the following requirements:

- ♦ they must have a useful outlet section no less than double that of the chimney/ducted system on which it is installed;
- ♦ they must be adapted in order to prevent the penetration of rain and snow in the chimney/ducted system;
- ♦ they must be built so that, in the event of winds coming from all directions and from any angle, the expulsion of combustion products is in any case ensured;

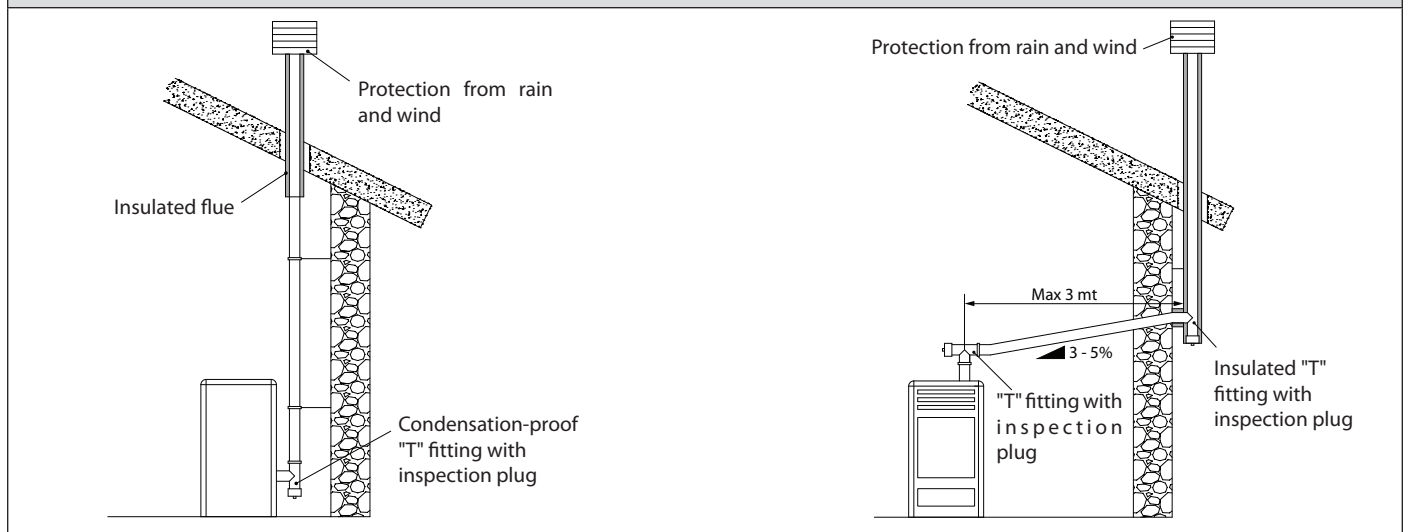
## FOR GERMANY ONLY

**The product can be connected to a shared flue** (multi-connection) provided that the requirements of the regional and national regulations, amongst which DIN EN 13384-2, DIN V 18160-1, DIN 18896 and of the MFeuV-2007 (Muster-Feuerungsverordnung) are strictly complied with, and that the local chimney sweep has checked and approved the installation conditions.

Please also remember the following indications, which the end user must comply with:

- The device can be operated only with the doors closed.
- The doors and all setting devices must remain closed when the device is not on (except for cleaning and maintenance operations).

## EXAMPLES OF CORRECT CONNECTION TO THE CHIMNEY



## CONNECTION TO THE MAINS ELECTRIC SUPPLY

The generator is supplied with an electric power cable to be plugged into a 230V 50 Hz socket, possibly with a circuit breaker switch. The socket must be easily accessible.

The electrical system must be compliant with standards. The efficiency of the earthing circuit must be checked. Unsuitable earthing of the system can cause malfunctioning for which the manufacturer will not be held liable.

Power supply variations beyond 10% can cause faulty operation of the product.

## HYDRAULIC SYSTEM

Certain concepts referring to the Italian Standard UNI 10412-2 (2009) are described in this chapter.

As previously described, when installing, all national, regional, provincial and council Standards in force provided by the country in which the appliance has been installed must be complied with.

During installation of the generator it is MANDATORY to adjust the system with a manometer in order to display the water pressure.

TABLE OF SAFETY DEVICES FOR CLOSED VESSEL SYSTEM AND NOT PRESENT IN THE PRODUCT	
Safety valve	✓
Pump control thermostat (it is managed by the water probe and the board program)	✓
Water temperature indicator (display)	✓
Pressure transducer with display	✓
Automatic circuit breaker adjustment switch (managed by board program)	✓
Pressure transducer with minimum and maximum pressure switch alarm	✓
Water overheating automatic circuit breaker switch (block thermostat)	✓
Circulation system (pump)	✓
Expansion system	✓

Pay attention to the correct sizing of the system:

- ♦ generator power compared to the thermal requirement
- ♦ possible need for a buffer tank

## INSTALLATION AND SAFETY DEVICES

The installation, relative system connections, commissioning and inspection of correct functioning must be carried out perfectly, in full compliance with Standards in force, national, regional and municipal, as well as these instructions. For Italy, installation must be carried out by professionally qualified staff (Ministerial Decree dated 22.01.08 n°37).

**The manufacturer declines all responsibility for damage to objects and/or persons caused by the system.**

### TYPE OF SYSTEM

- ♦ There are 2 different types of system:
- ♦ Open vessel system and closed vessel system.
- ♦ The product has been designed and made to work with closed vessel systems.



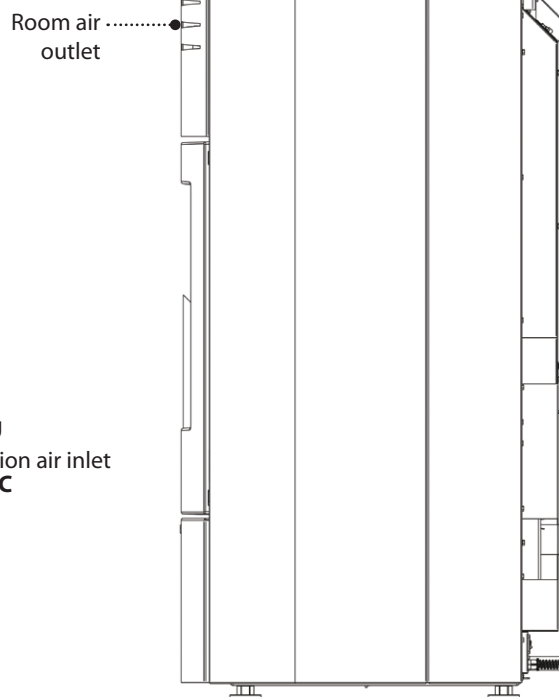
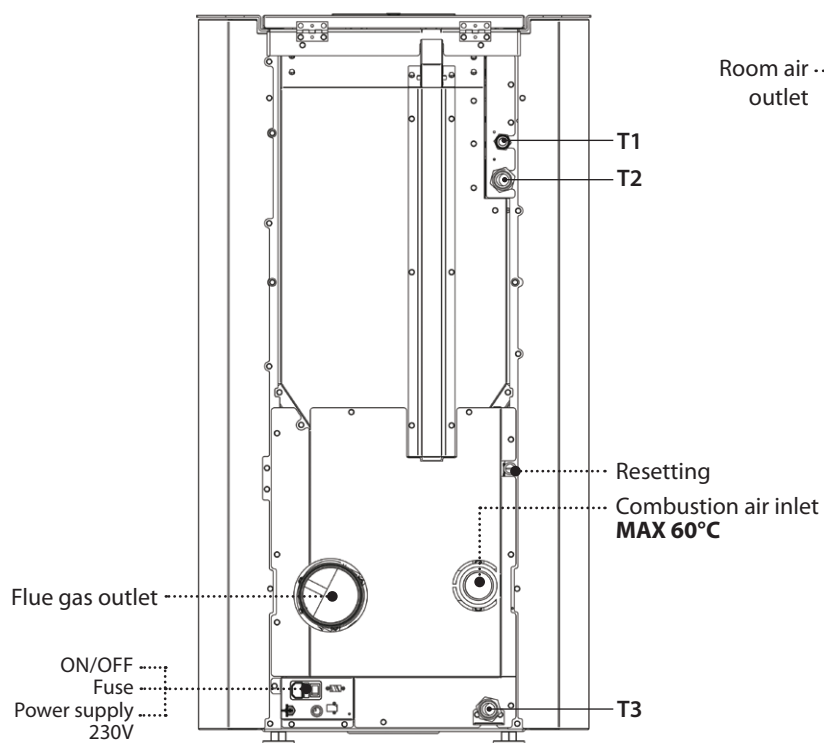
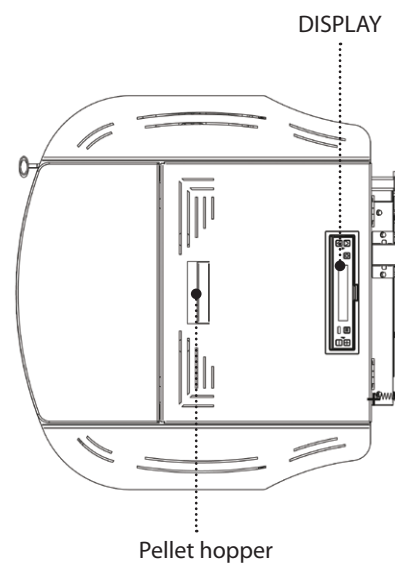
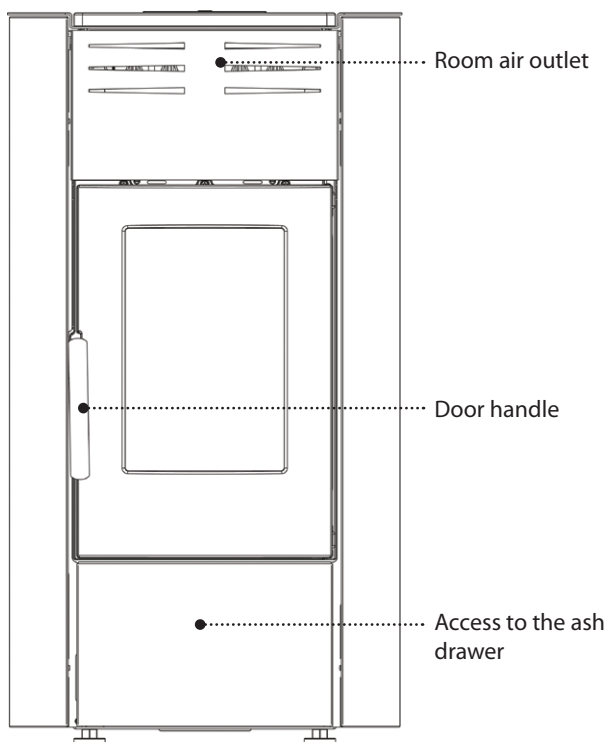
**CHECK THAT THE PRELOAD OF THE EXPANSION VESSEL IS SET TO 1.5 BAR.**

### SAFETY DEVICES FOR CLOSED VESSEL SYSTEM

In accordance with the UNI 10412-2 (2009) regulation in force in Italy, all the closed systems must be fitted with: safety valve, pump control thermostat, temperature indicator, pressure indicator, automatic circuit breaker block switch (block thermostat), circulation system, expansion system, and safety dissipation built-in to the generator with thermal safety valve (self-activated), if the appliance does not have a temperature self-adjustment system.



## DETAILS RAFFAELLA IDRO H15-H18



### HYDRAULIC INSTALLATION

<b>T1</b>	3 bar safety drain
<b>T2</b>	Boiler flow/output
<b>T3</b>	Boiler return/input

FEATURES	
Water content of the thermo-product heat exchanger (l)	18.5
Volume of expansion vessel integrated into thermo-product (l)	*8
3 bar safety valve integrated into the thermo-product	YES
Minimum and maximum pressure switch integrated into the thermo-product	YES
PWM Pump integrated into the thermo-product	YES
Pump max. head (m)	6

\* ENVISION ANY INTEGRATIVE EXPANSION VESSEL ON THE BASIS OF THE SYSTEM WATER CONTENT.



**CONSULT THE HYDRAULIC DIAGRAMS MANUAL FOR THE DETAILS OF THE CIRCULATOR INSTALLED.**

## CHECKS AND MEASURES FOR COMMISSIONING

### CAUTION!

**FOR CORRECT GENERATOR OPERATION, THE HYDRAULIC SYSTEM PRESSURE MUST BE BETWEEN 0.6 AND 2,5 BAR.**

Whenever the pressure detected by the digital pressure switch is lower than 0.6 or over 2.5 bar, the boiler goes into alarm mode. By taking the pressure of the water within standard values, the alarm can be reset by pressing the ON/1 key for 3 seconds (The alarm can be reset only if the fumes motor has stopped and 15 minutes have passed since the alarm was displayed)

### THE PELLET LOAD MOTOR DOES NOT FUNCTION:

It is normal that there is air inside the circuit due to filling the system.

On the 1st ignition cycle, the movement of the water causes the air bubbles to move and be bled by the system automatic venting. This can cause the pressure to drop and the minimum pressure switch to intervene, which interrupts operation of the pellet conveying motor and therefore operation of the heat generator.

The system must be bled several times to eliminate the air and loaded when the pressure is too low.

It is not an anomaly, but normal phenomenon, due to filling. Following filling, the system must always be bled using the relevant vents in the circuit and having the machine perform the "air vent" function. (Following commissioning and with the machine cold, activate the "air vent" function again. - see "SETTINGS" chapter)

### BULB THERMOSTATS - REARM

Check by pressing rearm, before contacting a technician (see REARM chapter).

## STOVE POSITIONING

To ensure the stove works correctly, it should always be positioned so that it is perfectly level, using a spirit level.

## NOTE FOR CORRECT OPERATION

### DURING IGNITION:

be sure to keep the pellet hopper, door and ash drawer closed during the entire ignition phase. Otherwise, the stove will display

**"CLOSE HOPPER" or "CLOSE STOVE DOOR"**

This indication means that you have 60 seconds to close the hatch/door and the pellet lid.

After 60 seconds have passed, the stove will go into "DEPR ALARM" mode during the ignition phase.

If "MIN DELTA-P" appears, it means that the appliance has detected abnormal conditions in the combustion air or flue gas outlet flows.

If the conditions do not stabilise within the time indicated by the TIMER on the display, the stove will go into "MIN DELTA-P ALARM 1" mode.

### DURING WORK:

be sure to keep the pellet hopper, door and ash drawer closed during the entire WORK phase. Otherwise, the stove will display

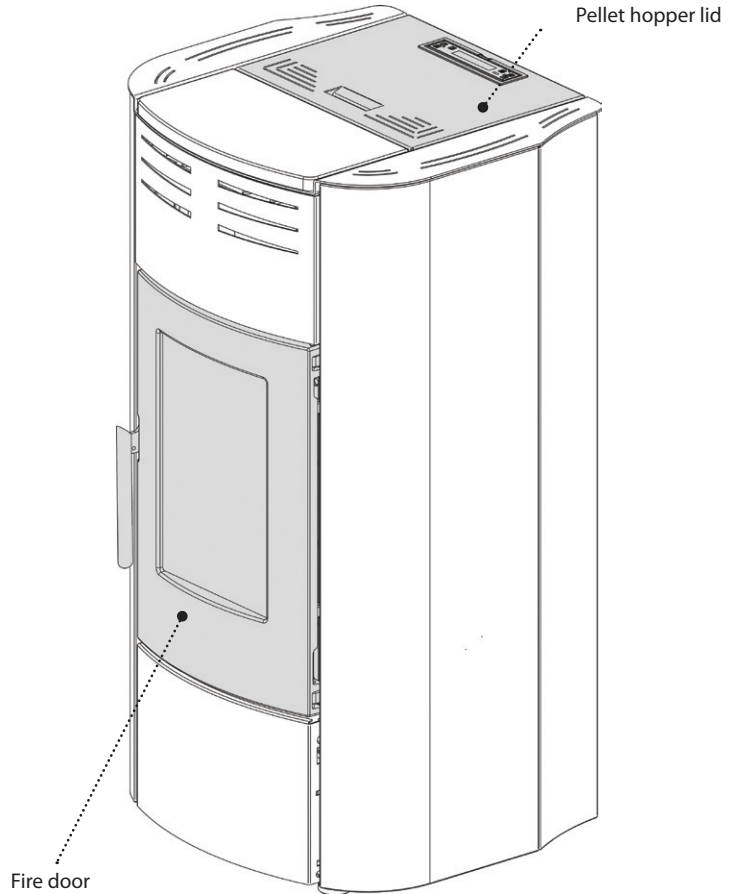
**"CLOSE HOPPER" or "CLOSE STOVE DOOR"**

This indication means that you have 60 seconds to close the hatch/door and the pellet lid.

After 60 seconds have passed, the stove will go into "COOLING STAND BY" mode.

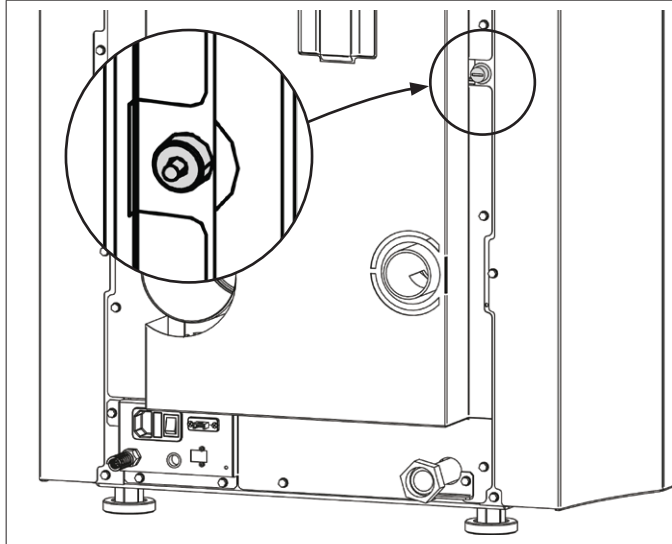
If "MIN DELTA-P" appears, it means that the appliance has detected abnormal conditions in the combustion air or flue gas outlet flows.

If the conditions do not stabilise within the time indicated by the TIMER on the display, the stove will go into "MIN DELTA-P ALARM 2" mode.



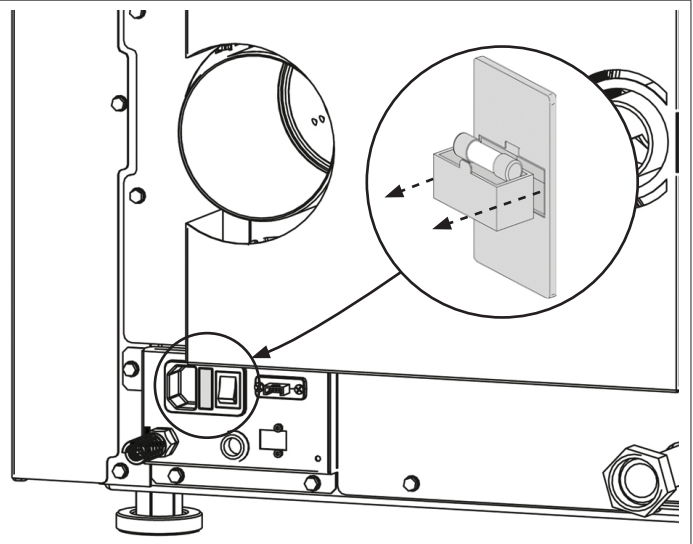
## BULB THERMOSTAT REACTIVATION

The figure below shows the rearm position. It is recommended to contact the qualified technician if one of the rearms should be triggered, so as to verify the cause.



## FUSE

If the stove is not powered, have the condition of the fuse checked by a qualified technician.



## PELLETS AND LOADING

Pellets are made by subjecting wood shavings i.e. the rejects of pure unpainted wood from sawmills, carpentry products and products from other activities connected to wood working and transformation, to very high pressures.

This type of fuel is fully ecological as no glues are used for its compaction. In fact, pellet compactness is guaranteed over time by a natural substance found in wood: lignin.

In addition to being an ecological fuel, making best use of wood residue, pellets also have a series of technical advantages.

While wood has a calorific value of 4.4 kWh/kg (with 15% moisture, therefore after approximately 18 months of curing), that of pellets is 5 kWh/kg.

Pellet density is about 650 kg/m<sup>3</sup> and water content is equal to 8% of its weight. For this reason pellets do not need to be cured to obtain a sufficient heat yield.

The pellets used must be class **A1** certified according to standard **ISO 17225-2 (ENplus-A1, DIN Plus or NF 444** of the following category: "High quality NF biocombustible wood pellets").

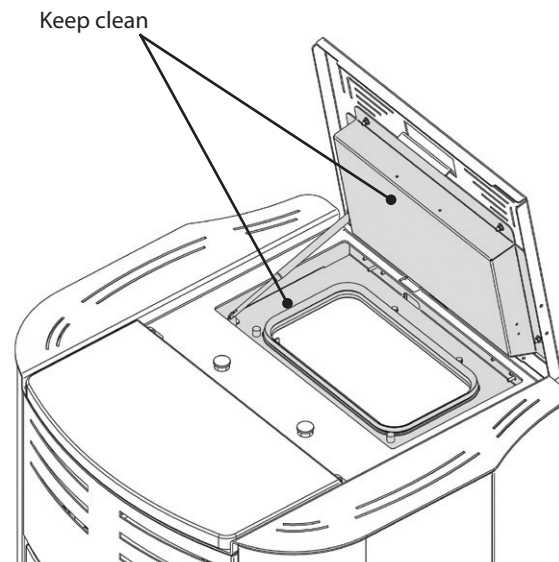
**UNI EN 303-5** with the following characteristics: water content ≤ 12%, ash content ≤ 0.5% and lower calorific value >17 MJ/kg (in the case of boilers).

The Manufacturer recommends using pellets with a diameter of 6mm with its products.

### PELLET STORAGE

To guarantee combustion without problems, the pellets must be kept in a dry place.

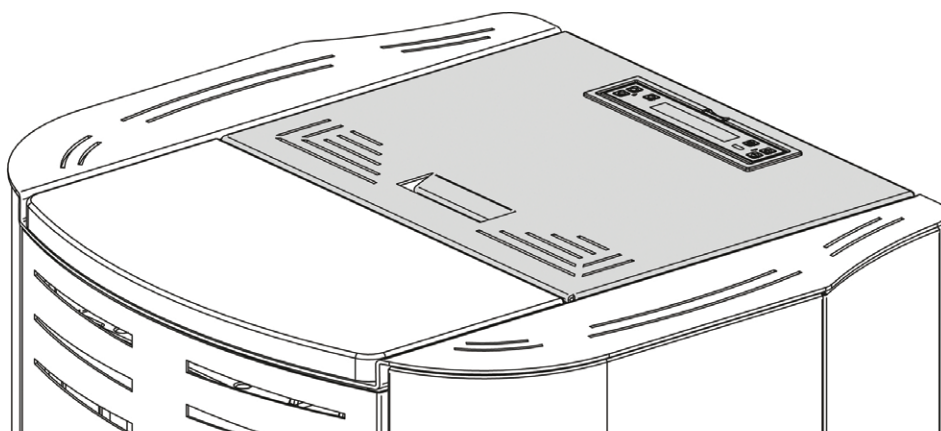
Open the tank lid and load the pellets using a scoop.



**THE USE OF POOR QUALITY PELLETS OR ANY OTHER MATERIAL DAMAGES THE FUNCTIONS OF THE GENERATOR AND MAY INVALIDATE THE WARRANTY AND RELIEVE THE MANUFACTURER OF ALL RESPONSIBILITY.**

## PELLET HOPPER

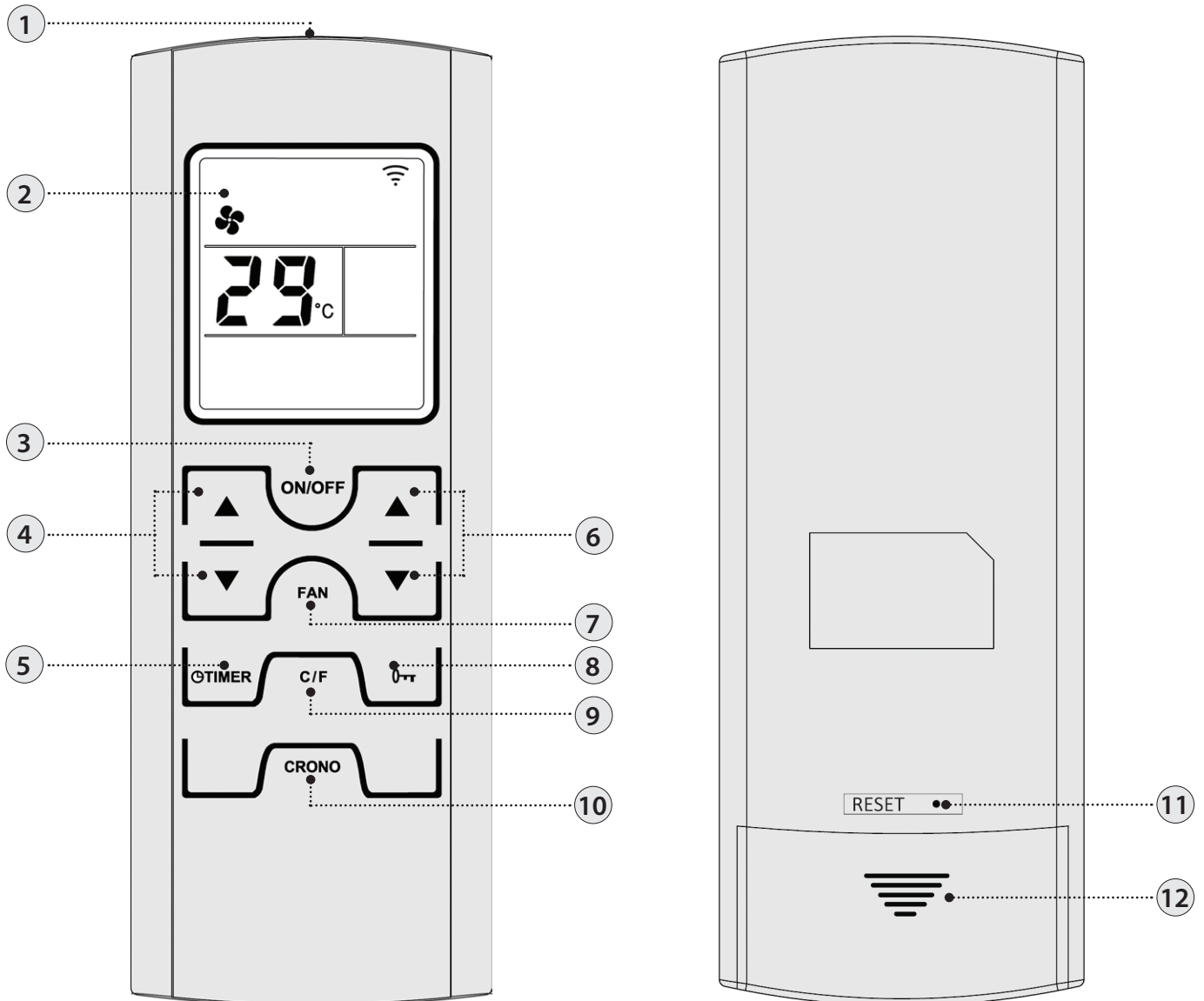
During stove operation, the pellet hopper lid must always be closed.



**DO NOT PLACE THE BAG DIRECTLY ON THE STOVE WHEN LOADING THE HOPPER! ALWAYS USE A SCOOP TO LOAD THE HOPPER. DO NOT RUB AGAINST OR PLACE WEIGHTS ON THE HOPPER SEAL, KEEP THE HOPPER LID SEAL SUPPORTING SURFACE CLEAN AT ALL TIMES. CHECK THE CONDITIONS OF THE SEAL FREQUENTLY. IN CASE OF DETERIORATION, CONTACT YOUR LOCAL AUTHORISED TECHNICIAN.**

## REMOTE CONTROL

The remote control can be used to adjust the main stove functions.





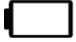




<b>1</b>	Transmitter	<b>7</b>	Select air mode*
<b>2</b>	Display	<b>8</b>	Lock keyboard
<b>3</b>	On/off stove (hold for 3 seconds)	<b>9</b>	Degrees Celsius / Fahrenheit
<b>4</b>	Set power	<b>10</b>	Press the button once to enable or disable the chrono
<b>5</b>	Set switch-off delay: The button allows to set the switch-off delay. For example, if you set it to one hour, the stove will automatically switch off after the set time *	<b>11</b>	Reset*
<b>6</b>	Set room temperature	<b>12</b>	Battery compartment

\* not available in this model



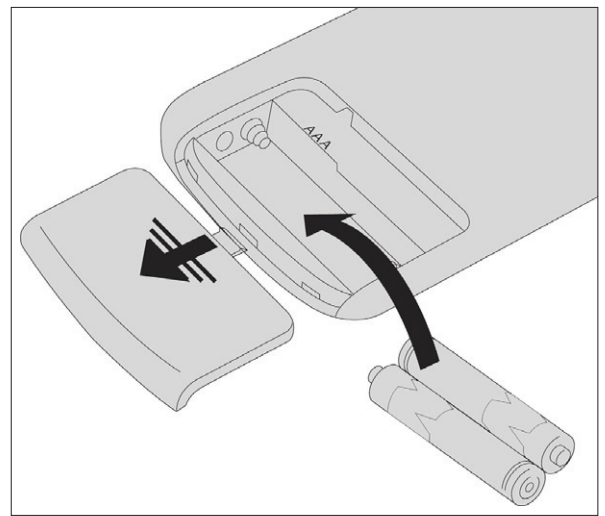
## REMOTE CONTROL ICONS

	Air mode selected: * Flashing COMFORT On AUTO		Enable chrono Light on = activated Light off = deactivated
OFF TIME 	Set switch-off delay *		Indicates the transmission of the radio signal On = during all radio communication Off = radio communication absent
	Battery low		Keys locked
	Set power level. The power level is displayed, instead of the set room temperature, for 3 seconds when one of the set power buttons is pressed (4).		

## INSERTING THE BATTERIES

Remove the battery compartment cover by sliding it down. Insert 2 AAA batteries.

Insert the batteries respecting the correct polarity (+) and (-).  
Close the cover of the battery compartment.



**IF THE REMOTE CONTROL IS SWITCHED OFF DUE TO NO BATTERY INSTALLED, THE STOVE CAN BE CONTROLLED FROM THE COMMAND PANEL LOCATED ON THE UPPER PART OF THE STOVE. WHEN CHANGING THE BATTERIES, MAKE SURE YOU FOLLOW THE SYMBOLS PRINTED INSIDE THE REMOTE CONTROL.**



### Respect the environment!

Used batteries contain metals that are harmful to the environment, and therefore must be disposed of separately in special containers.

## ADVICE AND PRECAUTIONS FOR THE USE OF THE REMOTE CONTROL

- ◆ Remove the batteries if it is not used for a long time.
- ◆ When being used, direct it towards the stove's signal receiver.
- ◆ Handle the remote control with care. When it is not being used, place it on the special base supplied.
- ◆ The remote control must not be left in a place where it is exposed to direct sunlight or near a source of heat.
- ◆ The quality of the signal may be affected by other IR sources.

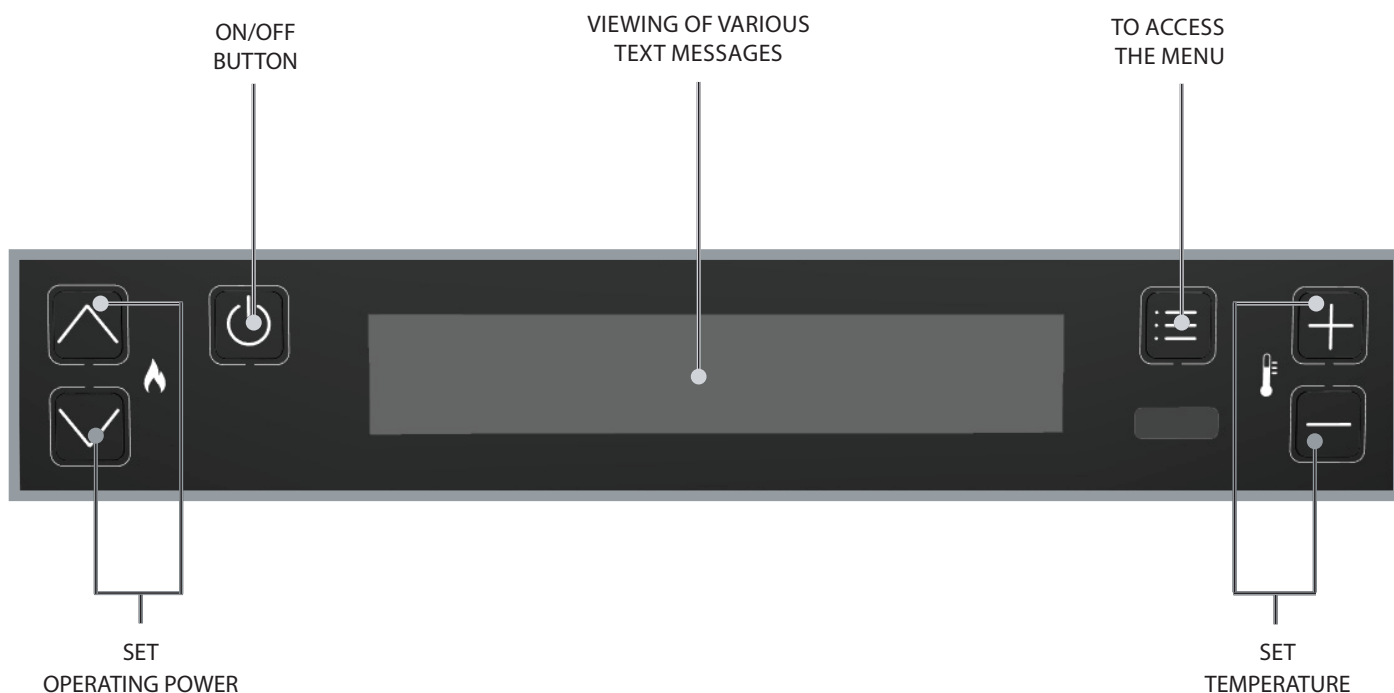


THE REMOTE CONTROL IS FITTED WITH AN LCD BACKLIT DISPLAY. THE BACKLIGHTING LASTS 20 SECONDS FROM THE LAST PRESS OF A BUTTON. AFTER A CERTAIN TIME, TO SAVE BATTERY POWER, THE DISPLAY TURNS OFF (ENERGY SAVING MODE).

THE CONTROL FUNCTIONS ARE REACTIVATED WHEN THE REMOTE IS REMOVED FROM ITS UNIT OR BY A LONG PRESS OF THE BUTTON.

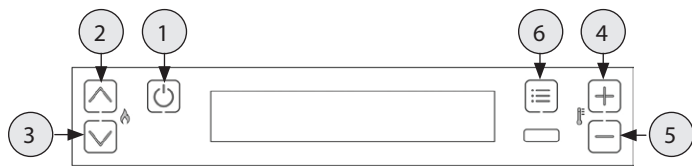
\* Not available in this model

## CONTROL BOARD

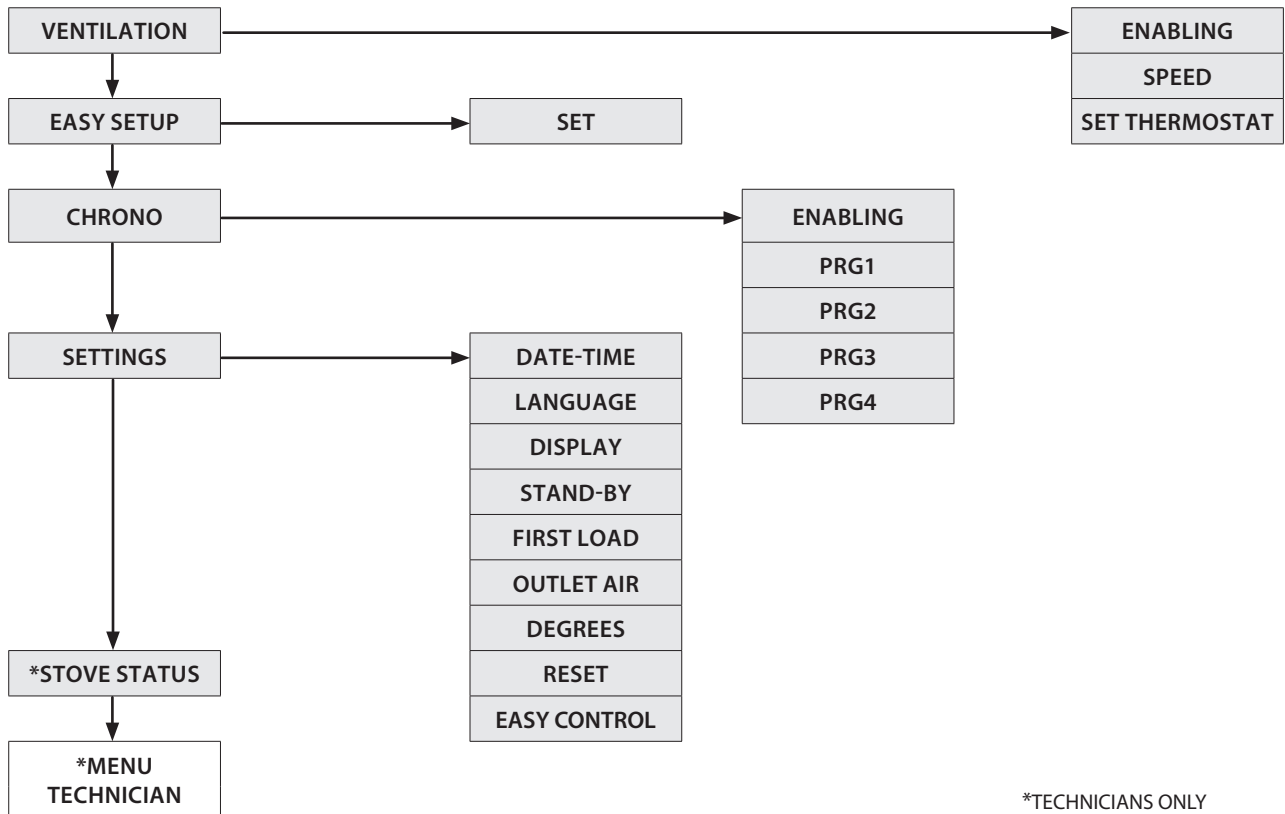


ICON KEY			
	Indicates the presence of an alarm. Off: indicates there are no alarms On: indicates the presence of an alarm		Indicates the weekly programming status Off: deactivated. On: activated.
<b>BT</b>	Not in use	<b>WI-FI</b>	Not in use
	Indicates contact of the external additional thermostat Closed contact: the contact of the external additional thermostat is closed. Open contact: the contact of the external additional thermostat is open.	<b>STBY</b>	<b>STAND BY</b> function icon Off: deactivated. On: activated.
	Indicates the stove power. Flame on: stable power. Flame flashing: the power is increasing or decreasing.		It indicates the operation of the pump. Off : pump stopped. On : pump active. Flashing : electronic anti-condensation function active.
	It indicates the operation of the tangential fan. Off : ventilation not active. On : ventilation active. Flashing: ventilation at reduced speed for compensation.		Not in use

## GENERAL MENU



- 1 Go back - exit
- 2 3 Scroll parameters: next (3); previous (2)
- 4 5 Modify data settings: increase (4); decrease (5)
- 6 Confirm - access menu



## GENERAL WARNINGS

### Advice to follow for the first start-ups of the product:

During the first hours of operation, there may be some smoke or odours, but they are due to the normal "thermal break-in" process. During this process, the duration of which changes depending on the product, it is recommended to:

- ♦ Ventilate the room well
- ♦ If present, remove any majolica or natural stone parts from the top of the product
- ♦ Activate the product at the maximum power and temperature
- ♦ Avoid remaining in the room for a long time
- ♦ Do not touch the surfaces of the product

### Notes:

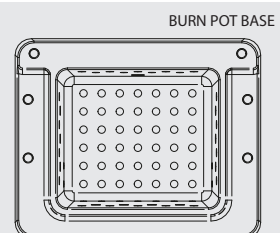
The process is completed after a few heating/cooling cycles. Do not use for the combustion of elements or substances other than those indicated in the manual.

### Before turning on the product, it is necessary to perform the following checks:

- ♦ If it is intended to be connected to a hydraulic system, it must be complete and fully functional and in compliance with the instructions given in the product manual and with the relevant regulations in force.
- ♦ The pellet hopper must be completely loaded
- ♦ The combustion chamber and the burn pot must be clean
- ♦ Make sure that the fire holder, the ash pan and the pellet hopper close hermetically (if present in the hermetic version); they must be closed and there must be no foreign bodies in the sealing elements and gaskets.
- ♦ Check that the power cord is properly connected
- ♦ The switch (if present) must be set to position "1".



**MAKE SURE THAT THE BOTTOM OF THE BURN POT IS FREE FROM RESIDUE AND DEPOSITS. THE HOLES AT THE BOTTOM MUST BE COMPLETELY FREE TO GUARANTEE PROPER COMBUSTION. THE "EASY SETUP" FUNCTION CAN BE USED TO ADAPT COMBUSTION BASED ON THE DESCRIBED NEEDS.**



## FIRST IGNITION SETTINGS

After connecting the power cord at the back of the generator, turn the switch (if any) to position (I).  
The switch is used to power the heat generator board.

### DATE-TIME

This menu allows the date and time to be set.

#### CONTROLS PROCEDURE

- ◆ Press key 6.
- ◆ Press key 3 until **SETTINGS** appears and confirm by pressing key 6.
- ◆ Confirm **DATE-TIME** by pressing key 6 and using keys 4 and 5 to set the day.
- ◆ Continue by pressing key 6.
- ◆ Use keys 4 or 5 to set and key 6 to advance, to regulate the day, hour, minutes, date, month, year.
- ◆ Press key 6 to confirm and key 1 to scroll back through the menus until the initial page.

### LANGUAGE

This menu allows the preferred language to be selected.

The available languages are:

Italian - English - German - French - Spanish - Portuguese - Danish - Estonian - Croatian - Slovenian - Dutch - Polish - Czech.

#### CONTROLS PROCEDURE

- ◆ Press key 6.
- ◆ Press key 3 until **SETTINGS** appears and confirm by pressing key 6.
- ◆ Press key 3 until **LANGUAGE** appears and confirm by pressing key 6.
- ◆ Select the language using keys 4 or 5.
- ◆ Press key 6 to confirm and key 1 to scroll back through the menus until the initial page.

### DEGREES

This menu allows you to set the unit of measure for the temperature. The predefined value is °C.

#### CONTROLS PROCEDURE

- ◆ Press key 6.
- ◆ Press key 3 until **SETTINGS** appears and confirm by pressing key 6.
- ◆ Press key 3 until **DEGREES** appears and confirm by pressing key 6.
- ◆ Use keys 4 -5 to select Celsius or Fahrenheit.
- ◆ Press key 6 to confirm and key 1 to scroll back through the menus until the initial page.



#### **NO IGNITION**

**THE APPLIANCE MAY FAIL TO LIGHT BECAUSE THE AUGER IS EMPTY AND NOT ALWAYS ABLE TO LOAD THE BURN POT FAST ENOUGH WITH THE PELLETS NEEDED FOR NORMAL IGNITION. IF THE PROBLEM OCCURS AFTER ONLY A FEW MONTHS OF OPERATION, CHECK THAT THE ROUTINE CLEANING DESCRIBED IN THE STOVE HANDBOOK HAS BEEN CARRIED OUT CORRECTLY**

## OPERATION AND LOGIC

### IGNITION

Once the points listed previously have been checked, press key 1 for three seconds to ignite the stove. 15 minutes are available for the ignition phase. After ignition and having reached the control temperature, the stove interrupts the ignition phase and passes to STARTING.

### PREPARATION

During the start-up phase, the stove stabilises combustion, increasing it progressively, to then start ventilation and pass on to WORK.

### WORK

During the work phase, the stove reaches the set power set; see following item.

### SET POWER

Set the operating power from 1 to 5 (using keys 2 and 3).  
Power 1 = minimum level - Power 5 = maximum level.

### SET H2O

Set the boiler temperature from 65 to 80°C (using keys 4 and 5).

### PUMP OPERATION

The pump activates water circulation when the t° of the water inside the stove reaches approx. 60°C. As the pump always functions above 60°, it is recommended to keep a heating area open at all times to allow for uniform operation, preventing blocks due to overheating. Normally this area is defined as the "safety zone".

### SET THERMOSTAT

It is possible to activate/deactivate front ventilation and check the room temperature by means of the room temperature probe (integrated in the product). (See the chapter "ventilation" on the following pages.)

### BLOW

During the working phase, the stove has an internal timer, which after a pre-set period of time cleans the burn pot. This phase is shown on the display, it lowers the stove power level and increases the flue gas exhaust motor for a programmed period of time. When the cleaning phase is finished, the stove will re-start automatically and continue the working phase, returning to the selected power level.

### MODULATION and H-OFF

As the water temperature approaches the set point, the boiler starts to modulate automatically bringing itself to the minimum power. If the temperature increases beyond the set point, it will automatically switch off indicating H-OFF, and will automatically go back on when the temperature drops below the set point.

### SWITCH-OFF

Press key 1 for three seconds.

Once this operation has been performed, the appliance automatically enters the switch-off phase, blocking the supply of pellets.

**The flue gas exhaust motor and the hot air flow motor will remain on until the stove temperature has dropped below the default parameters.**

### RE-IGNITION

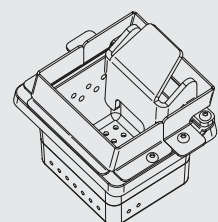
The stove can only be re-ignited automatically or manually when the cooling cycle conditions and the preset timer have been satisfied.



**DO NOT USE ANY INFLAMMABLE LIQUIDS FOR IGNITION!  
DO NOT ALLOW THE BAG OF PELLETS TO COME INTO CONTACT WITH THE BOILING HOT STOVE DURING THE FILLING PHASE! IN THE EVENT OF CONTINUED FAILURE TO LIGHT, CONTACT AN AUTHORISED TECHNICIAN.**



**ALL COMPONENTS APPLIED TO THE BURN POT, SUPPLIED WITH THE APPLIANCE, WHICH CAN BE SEEN IN THE DRAWING TO THE SIDE, MUST ALWAYS BE INSTALLED DURING USE.  
REMOVAL WILL COMPROMISE THE SAFETY OF THE PRODUCT AND RESULT IN THE IMMEDIATE NULLIFICATION OF THE WARRANTY PERIOD.  
IN THE EVENT OF WEAR OR DETERIORATION, ASK THE AFTER-SALES SERVICE TO REPLACE THE PARTS (REPLACEMENT DOES NOT FALL WITHIN THE PRODUCT WARRANTY AS THE PART IS SUBJECT TO WEAR)**



## ADDITIONAL THERMOSTAT

### **N.B. : INSTALLATION MUST BE PERFORMED BY AN AUTHORISED TECHNICIAN**

There is a possibility to control the temperature of a room adjacent to the room where the stove has been placed; simply connect a thermostat following the procedure described in the following section (it is advisable to place the optional mechanical thermostat at a height from the ground equal to 1.50m). Stove operation with the external thermostat connected in the clamp TA can be different depending on the activation or deactivation of the STAND-BY function.

**By factory default, the clamp TA is jumpered, therefore it always has closed contact (on request).**

### **ADDITIONAL THERMOSTAT FUNCTIONING WITH STAND-BY ACTIVE**

When the STAND-BY function is active, the STBY icon will be on. When the contact or external thermostat is not satisfied (open contact / temperature reached), the stove will switch off. As soon as the contact or external thermostat switches to the "not satisfied" status (closed contact / temperature to be reached) it will re-ignite.

**NB: stove operation depends on the temperature of the water inside the stove and relative factory setting restrictions. If the stove is in H-OFF (water temperature reached), any additional contact or thermostat request will be ignored.**

### **ADDITIONAL THERMOSTAT OPERATION WITH STAND-BY DEACTIVATED**

When the STAND-BY function is not active, the STBY icon will be off.

When the contact or external thermostat is satisfied (open contact / temperature reached), the stove will go to minimum. As soon as the contact or external thermostat switches to the "not satisfied" status (closed contact / temperature to be reached) the stove will start to work again at the pre-set power.

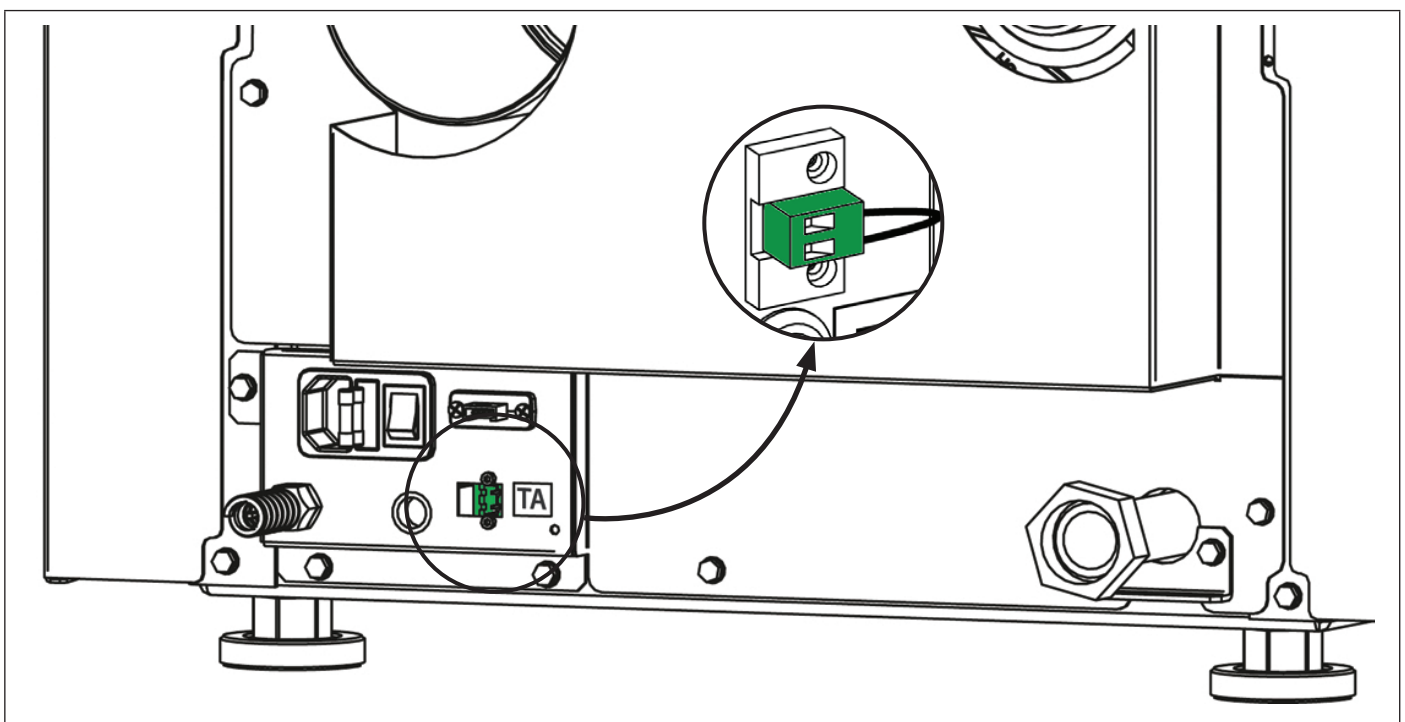
**NB: stove operation depends on the temperature of the water inside the stove and relative factory setting restrictions. If the stove is in H-OFF (water temperature reached), any additional contact or thermostat request will be ignored.**

### **ADDITIONAL THERMOSTAT INSTALLATION**

- ♦ A mechanical or digital thermostat with a "normally open" input is required.
- ♦ Remove the plug from the socket.
- ♦ Using the figure as a reference, connect the two thermostat cables (clean contact - no 230 V!).
- ♦ Connect the power to the stove again.



**TO ACTIVATE STAND-BY, REFER TO THE "SETTINGS" CHAPTER**



## VENTILATION

The menu allows you to enable and adjust the speed (-2, -1, 0, +1, +2) of the front fan.

### ENABLING CONTROLS PROCEDURE

- ◆ Press key 6.
- ◆ Press 3 until **VENTILATION** appears and confirm by pressing 6.
- ◆ Confirm **ENABLING** by pressing the 6 key.
- ◆ Use keys 4 -5 to enable (**ON**) or disable (**OFF**) and confirm by pressing 6.
- ◆ Press 1 to return to the previous menus to the initial state.

### SPEED CONTROLS PROCEDURE

- ◆ Press key 6.
- ◆ Press 3 until **VENTILATION** appears and confirm by pressing 6.
- ◆ Keep pressing 3 until **SPEED** appears and confirm by pressing 6.
- ◆ Use keys 4 -5 to adjust the speed (-2, -1, 0, +1, +2) and confirm by pressing 6.
- ◆ Press 1 to return to the previous menus to the initial state.

### SET THERMOSTAT controls procedure

- ◆ Press key 6.
- ◆ Press 3 until **VENTILATION** appears and confirm by pressing key 6.
- ◆ Keep pressing 3 until **SET THERMOSTAT** appears and confirm by pressing 6.
- ◆ Use keys 4 5 to adjust the room temperature (7°C - 37°C) and confirm by pressing 6.
- ◆ Press 1 to return to the previous menus to the initial state.

## EASY SETUP

The volumetric weight of the pellet is the ratio between the weight and the volume of the pellet. This ratio may change while keeping the quality of the pellet unchanged. By using the EASY SETUP function, it is possible to change the calibration of the volumetric weight by increasing or decreasing the pre-set values.

In the stove program, the available values go from “- 3” to “+ 3”; all stoves are calibrated during production with the optimal value which is 0.

If you notice an excessive deposit on the burning pot, access the EASY SETUP program and lower the value to “- 1”; then wait until the next day and if there is no improvement, decrease again, to a maximum of “- 3”.

Instead, if it is necessary to increase the calibration of the volumetric weight of the pellet, go from the factory value “0” to “+ 1, + 2, + 3” as required.

EXCESSIVE PELLETT DEPOSIT IN THE BURN POT			NORMAL OPERATION	MINIMUM PELLETT DEPOSIT IN THE BURN POT		
-3	-2	-1	0	+1	+2	+3
THIRD DECREASE RANGE IF THE FIRST TWO ARE NOT ENOUGH	SECOND DECREASE RANGE IF THE FIRST IS NOT ENOUGH	FIRST DECREASE RANGE (TEST FOR 1 DAY)	OPTIMAL FACTORY VALUE	FIRST INCREASE RANGE	SECOND INCREASE RANGE IF THE FIRST IS NOT ENOUGH	THIRD INCREASE RANGE IF THE FIRST TWO ARE NOT ENOUGH

### CONTROLS PROCEDURE

- ◆ Press key 6.
- ◆ Press key 3 until **EASY SETUP** appears and confirm by pressing key 6.
- ◆ Use keys 4 and 5 to set the range.
- ◆ Press key 6 to confirm and key 1 to return to the previous menus to the initial state.

**N.B.: IF THIS CALIBRATION DOES NOT SOLVE THE PELLETT DEPOSIT IN THE BURN POT, PLEASE CONTACT YOUR LOCAL AFTER-SALES CENTRE.**

## CHRONO



This function allows the stove's ignition and switch-off to be automatically programmed. The factory setting for CHRONO is off.

The chrono allows the programming of 4 time slots within a day, which can be used every day of the week.

**Ignition and switch-off times can be set for each time slot, along with the specific days of application for the programmed time slot, the desired temperature and power setting.**

**Current day and time settings are essential for the correct operation of the Chrono.**

### Recommendations

Before using the chrono function, you must set the current day and time, so check that you have followed the points listed in the sub-chapter "DATE-TIME". To use the chrono function correctly, you must activate it as well as program it. The four time slots can be overlapped using the time switch on and off settings. This allows you to obtain a combination of times in which you can set different temperatures and power without influencing the stove work status.

NB: if overlapping time slots are set, the stove will stay on until the latest switch-off time.

## ENABLING/DISABLING THE CHRONO

### CONTROLS PROCEDURE

- ◆ Press key 6.
- ◆ Press 3 until **CHRONO** appears and confirm by pressing key 6.
- ◆ Confirm **ENABLING** by pressing 6.
- ◆ Use keys 4 -5 to enable (**ON**) or disable (**OFF**)
- ◆ Press key 6 to confirm and key 1 to return to the previous menus to the initial state.

<b>CHRONO</b>	>	<b>ENABLING</b>	>	<b>PRG1</b>	On/off	Enabling/disabling PRG 1
		∨		<b>PRG2</b>	On/off	Enabling/disabling PRG 2
		∨		<b>PRG3</b>	On/off	Enabling/disabling PRG 3
		∨		<b>PRG4</b>	On/off	Enabling/disabling PRG 4
		<b>PRG1</b>	>	<b>START PRG1</b>	OFF-00:00	PRG1 start time
		∨		<b>STOP PRG1</b>	OFF-00:00	PRG1 stop time
		∨		<b>MONDAY...SUNDAY</b>	On/off	Enabling/disabling days for PRG1
		∨		<b>SET PRG1</b>	65°C - 80°C (149°F - 176°F)	SET H2O PRG1
		∨		<b>POWER PRG1</b>	1-5	Set power PRG1
		<b>PRG2</b>	>	<b>START PRG2</b>	OFF-00:00	PRG2 start time
		∨		<b>STOP PRG2</b>	OFF-00:00	PRG2 stop time
		∨		<b>MONDAY...SUNDAY</b>	On/off	Enabling/disabling days for PRG2
		∨		<b>SET PRG2</b>	65°C - 80°C (149°F - 176°F)	SET H2O PRG2
		∨		<b>POWER PRG2</b>	1-5	Set power PRG2
		<b>PRG3</b>	>	<b>START PRG3</b>	OFF-00:00	PRG3 start time
		∨		<b>STOP PRG3</b>	OFF-00:00	PRG3 stop time
		∨		<b>MONDAY...SUNDAY</b>	On/off	Enabling/disabling days for PRG3
		∨		<b>SET PRG3</b>	65°C - 80°C (149°F - 176°F)	SET H2O PRG3
		∨		<b>POWER PRG3</b>	1-5	Set power PRG3
		<b>PRG4</b>	>	<b>START PRG4</b>	OFF-00:00	PRG4 start time
				<b>STOP PRG4</b>	OFF-00:00	PRG4 stop time
				<b>MONDAY...SUNDAY</b>	On/off	Enabling/disabling days for PRG4
				<b>SET PRG4</b>	65°C - 80°C (149°F - 176°F)	SET H2O PRG4
				<b>POWER PRG4</b>	1-5	Set power PRG4



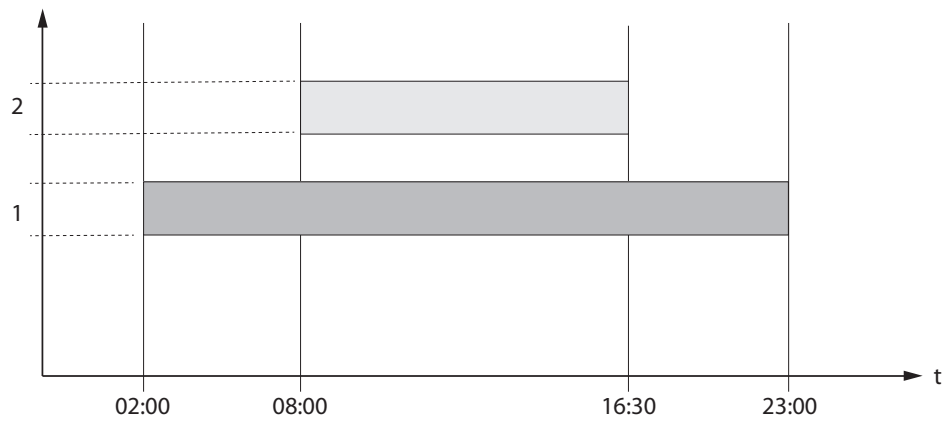
**IF WEEKLY PROGRAMMER IS ACTIVE ON THE COMMAND PANEL, A SMALL ICON IS DISPLAYED**



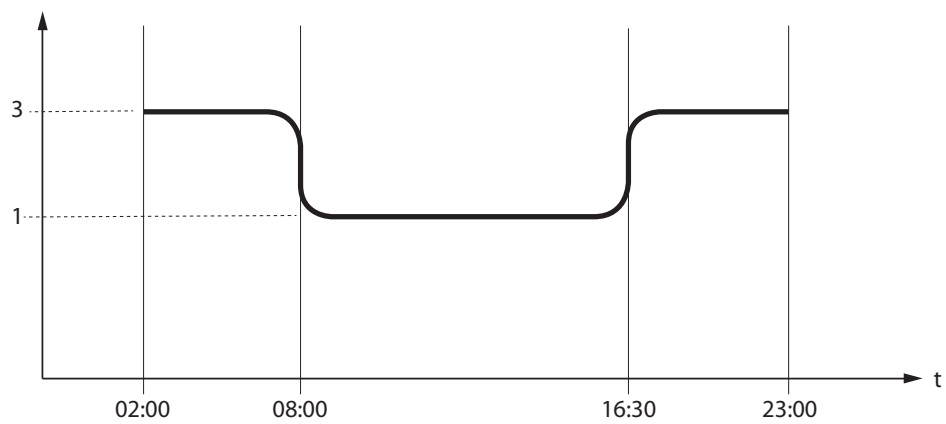


## EXAMPLE OF CHRONO OVERLAPPING TIME/SLOTS

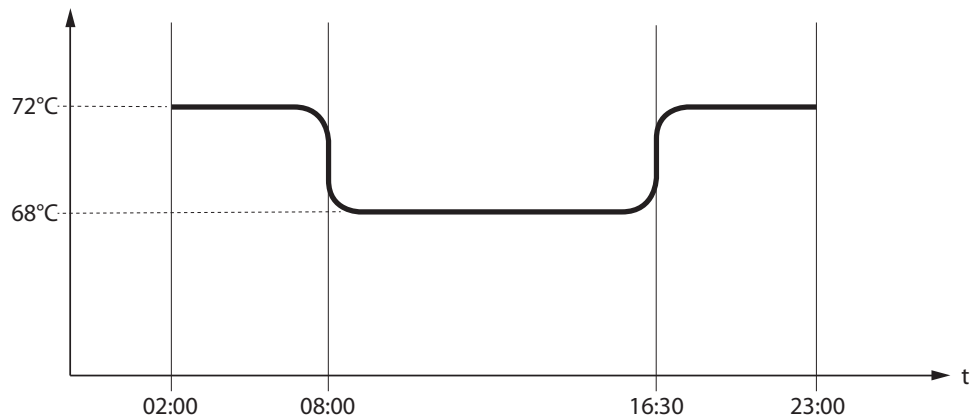
TIME SLOT



SET POWER



SET H2O



	Time slot 1	start 02:00 stop 23:00	power 3 - SET H2O 72°C
	Time slot 2	start 08:00 stop 16:30	power 1 - SET H2O 68°C
	stove operation		

## SETTINGS

- **DATE-TIME**
- **LANGUAGE**
- **SET DEGREES**

SEE CHAPTER: COMMISSIONING SETTINGS.

## DISPLAY

This menu allows you to adjust the brightness of the display. The values range from OFF, 1 to 20. If set to OFF, the display backlighting is set to maximum brightness and then, turns off after a 60 second delay.

The backlighting can be turned on again by pressing any key or if the stove is in alarm status.

### CONTROLS PROCEDURE

- ♦ Press key 6.
- ♦ Press 3 until **SETTINGS** appears and confirm by pressing 6.
- ♦ Keep pressing 3 until **DISPLAY** appears and confirm by pressing 6.
- ♦ Use keys 4-5 to set the desired intensity (**SET**)
- ♦ Press key 6 to confirm and key 1 to return to the previous menus to the initial state.

## STAND - BY

The **STAND-BY** function, if enabled, is used to turn the stove via an additional thermostat.

### CONTROLS PROCEDURE

- ♦ Press key 6.
- ♦ Press 3 until **SETTINGS** appears and confirm by pressing 6.
- ♦ Keep pressing 3 until **STAND-BY** appears and confirm by pressing 6.
- ♦ Use keys 4-5 to enable (**ON**) / disable (**OFF**).
- ♦ Press 1 several times to confirm and exit the menu

## FIRST LOAD

This function allows to fill the auger, facilitating the first start-up phases of the stove, or in the event that the pellet hopper is empty. With the stove cold and "OFF", make sure the pellet has been introduced inside the tank and activate the **FIRST LOAD** function, confirming with OK.

To interrupt continuous loading, simply press key 1 for 3 seconds.

### CONTROLS PROCEDURE

- ♦ Press key 6.
- ♦ press 3 until **SETTINGS** appears and confirm by pressing 6.
- ♦ Keep pressing 3 until **FIRST LOAD** appears and confirm by pressing 6.
- ♦ Use keys 4 and 5 for enabling "ON" or disabling "OFF"
- ♦ Press key one several times to confirm and exit the menu.

## OUTLET AIR

This function allows any air in the stove to be discharged. By activating the pump function, it will be powered alternatively with 30 second work phases and 30" stop for 15 minutes. With the stove cold and in "OFF", activate the **OUTLET AIR** function, pressing key 6 to confirm. To interrupt, press and hold key 1 for 3 seconds.

Attention: before activating the "**OUTLET AIR**" function, make sure you have opened the vent screw of the manual vent valve.

### CONTROLS PROCEDURE

- ♦ Press key 6.
- ♦ Press 3 until **SETTINGS** appears and confirm by pressing 6.
- ♦ Keep pressing 3 until **OUTLET AIR** appears and confirm by pressing 6.
- ♦ Use keys 4 and 5 for enabling "ON" or disabling "OFF"
- ♦ Press key one several times to confirm and exit the menu.

## RESET

Allows the user to reset all editable values to the default values.

### CONTROLS PROCEDURE

- ◆ Press key 6.
- ◆ Press key 3 until **SETTINGS** appears and confirm by pressing key 6.
- ◆ Press key 3 until **RESET** appears and confirm by pressing key 6.
- ◆ Use keys 4-5 to enable "ON" / disable "OFF"
- ◆ Press key 1 several times to confirm and exit the menu.

## EASY CONTROL

The functions allows for two values to be set:

- ◆ **OFF** (disabled - factory default)
- ◆ **ON** (enabled)

Activation (EASY CONTROL = ON) is recommended in the event that there is an excessive formation of combustion residues in the flue during operation at reduced power (see FLUE EXHAUST chapter).

**Caution! It is advisable to activate the EASY CONTROL function under the supervision of a qualified technician.**

### CONTROLS PROCEDURE

- ◆ Press key 6.
- ◆ Press key 3 until **SETTINGS** appears and confirm by pressing key 6.
- ◆ Keep pressing 3 until **EASY CONTROL** appears and confirm by pressing 6.
- ◆ Use keys 4-5 to enable "ON" / disable "OFF"
- ◆ Press key 1 several times to confirm and exit the menu.

# ADDITIONAL FUNCTIONS

## KEYS LOCKED

This function allows you to lock the display keys (similar to mobile phones).

With the function active, each time a key is pressed, the message "KEYS LOCKED" will appear

To lock the keypad, press keys 1 and 5 simultaneously until the following message appears: "KEYS LOCKED"

To unlock the keypad, press keys 1 and 5 simultaneously until the following message appears: "KEYS UNLOCKED"

---

---

---

---

---

---

---

---

---

---

---

---

---

---

---

---

---

---

---

---

---

---

---

---

TO FIND OUT WHERE YOUR NEAREST SERVICE CENTRE IS, CONTACT YOUR DEALER OR VISIT THE WEBSITE:  
[WWW.LANORDICA-EXTRAFLAME.COM](http://WWW.LANORDICA-EXTRAFLAME.COM)

## CLEANING AND MAINTENANCE

### ALWAYS FOLLOW THE INSTRUCTIONS IN COMPLETE SAFETY!

- ♦ For all operations, except for routine cleaning, make sure that the power cord plug is disconnected as the generator may have been programmed to turn on.
- ♦ That the generator is cold all over.
- ♦ That the ashes are completely cold.
- ♦ Ensure efficient air exchange in the room during the product cleaning operations.
- ♦ Poor cleaning will compromise correct operation and safety!

## MAINTENANCE

For correct operation, the generator must undergo routine maintenance by a qualified technician, at least once a year. The periodic inspection and maintenance operations must always be performed by specialised, qualified technicians, who operate in accordance with the laws in force and the instructions given in this use and maintenance manual.



**EVERY YEAR, HAVE THE FUME EXTRACTION SYSTEM, FLUE PIPES AND "T" FITTINGS, INCLUDING THE INSPECTION CAPS CLEANED. IF PRESENT, ALSO CLEAN THE ELBOWS AND HORIZONTAL SECTIONS!  
THE GENERATOR CLEANING FREQUENCY IS INDICATIVE! IT DEPENDS ON THE QUALITY OF THE PELLET USED AND ON HOW OFTEN IT IS USED.  
THESE OPERATIONS MAY SOMETIMES NEED TO BE PERFORMED MORE OFTEN**

## PERIODIC CLEANING UNDER USER'S RESPONSIBILITY

The periodic cleaning operations, as indicated in this use and maintenance manual, must be performed with the utmost care after reading the instructions, procedures and frequency described in this use and maintenance manual.

### CLEANING THE SURFACES AND COVERING

#### **Never use abrasive or chemically aggressive detergents for cleaning!**

The surfaces must be cleaned when the generator and coating are completely cold. For the maintenance of the surfaces and metal parts, simply use a cloth dampened with water or water and neutral soap.

Failure to follow the instructions may lead to damage to the generator surfaces and invalidate the warranty.

### CLEANING THE CERAMIC GLASS

#### **Never use abrasive or chemically aggressive detergents for cleaning!**

The ceramic glass must be cleaned when the glass is completely cold.

To clean the ceramic glass, simply use a dry brush and some damp newspaper dipped in ash. If the glass is very dirty, use a specific cleaning agent for ceramic glass. Spray a small amount on a cloth and use it on the ceramic glass. Do not spray the cleaning agent or any other liquid directly on the glass or seals!

Failure to comply with these instructions may damage the surfaces of the ceramic glass and cause the invalidation of the warranty.

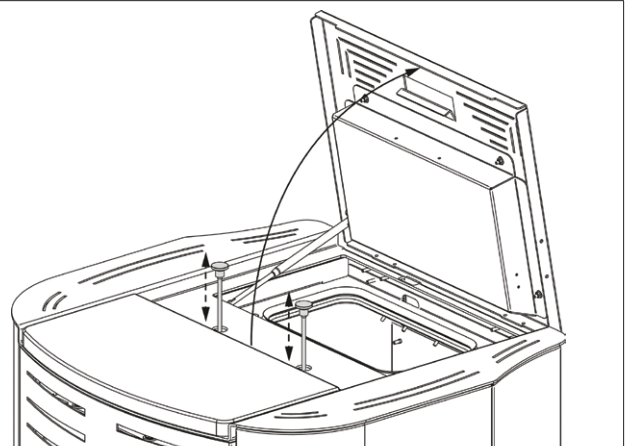
### CLEANING THE PELLET HOPPER

When the hopper is completely empty, disconnect the power cord of the generator, remove the residues (dust, chippings, etc.) from the empty hopper and then fill it up.

THE FOLLOWING IMAGES ARE FOR ILLUSTRATIVE PURPOSES.

### HEAT EXCHANGER

The heat exchangers must only be cleaned when cold! Cleaning ensures constant heat output over time. To do this, use the scrapers positioned in the upper part of the generator, making upward and downward moments several times.

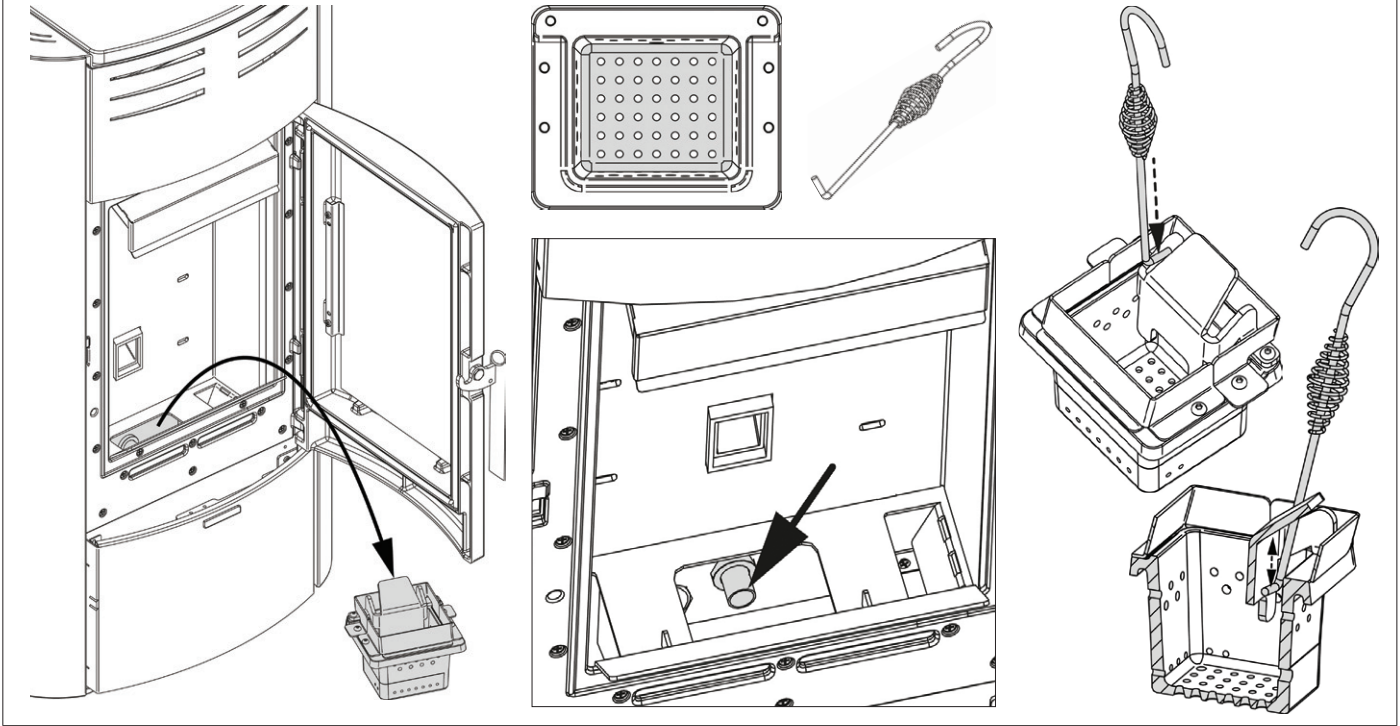


THE IMAGES ARE FOR ILLUSTRATIVE PURPOSES.

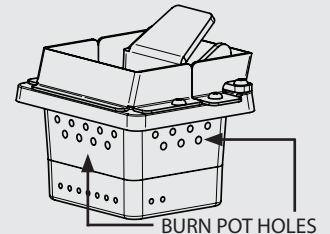
## BURN POT

Remove the burn pot from its compartment and clear the holes using the special tool supplied, remove the ash from the burn pot using the same tool and a suitable vacuum cleaner.

Remove any ash deposited in the burn pot compartment and ignition plug pipe



**A CLEAN BURN POT GUARANTEES CORRECT OPERATION!**  
**BY KEEPING THE BURN POT AND ITS HOLES CONSTANTLY CLEAN AND FREE OF COMBUSTION RESIDUE, EXCELLENT COMBUSTION IS GUARANTEED OVER TIME, THUS PREVENTING ANY GENERATOR MALFUNCTIONS THAT MAY REQUIRE TECHNICAL ASSISTANCE.**  
**THE "EASY SETUP" FUNCTION IN THE USER MENU CAN BE USED TO ADAPT COMBUSTION ACCORDING TO THE NEEDS DESCRIBED.**

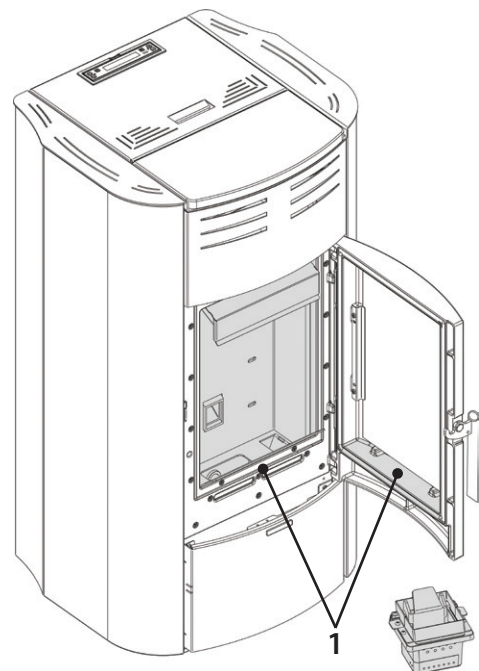


## COMBUSTION CHAMBER

- ◆ Suck the ash deposited between the partition and the fire holder (1).
- ◆ Remove the burn pot.
- ◆ Clean the combustion chamber and the bottom of the burn pot compartment completely, using a suitable vacuum cleaner.
- ◆ Put the burn pot back in place

**Always make sure that:**

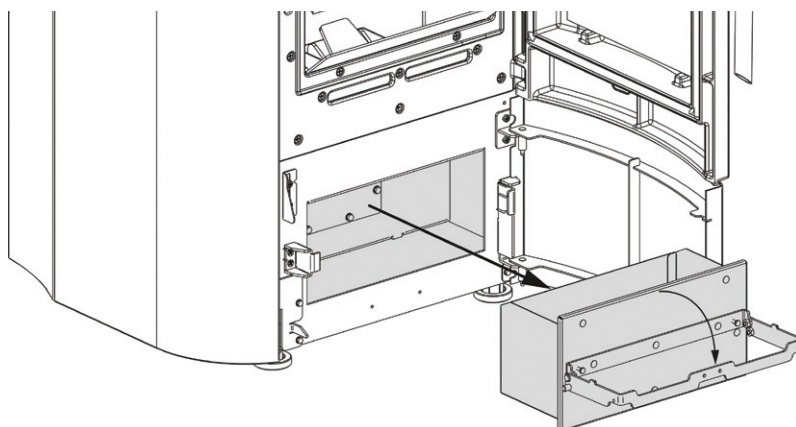
**- the burn pot is installed in the correct direction for pellet feed.**



THE IMAGES ARE FOR ILLUSTRATIVE PURPOSES.

## ASH DRAWER

- ◆ Remove the ash drawer and empty it into a suitable container.



PARTS/FREQUENCY	EVERY DAY	EVERY YEAR
HEAT EXCHANGER (USER)	X	
BURN POT (USER)	X	
COMBUSTION CHAMBER (USER)	X	
ASH DRAWER (USER)	X	
T-SHAPED FITTING / SMOKE DUCT (TECHNICIAN)		X

One day means an average use of 8h at the rated power.

How often the ash drawer is emptied depends on a number of factors: the type of pellets, the stove output, the use of the stove and the type of installation.



**IF THE POWER CORD IS DAMAGED, IT MUST BE REPLACED BY THE SERVICE CENTRE OR BY A SIMILARLY QUALIFIED PERSON, SO AS TO AVOID ALL RISKS.**

## ROUTINE MAINTENANCE PERFORMED BY QUALIFIED TECHNICIANS

**Routine maintenance must be performed at least once a year.**

Given that the generator uses pellets as solid fuel, it requires annual routine maintenance, which must be performed by a **Qualified technician, using only original spare parts.**

Failure to comply may jeopardise the safety of the appliance and invalidate the warranty conditions.

By observing the cleaning schedule reserved to the user described in the use and maintenance manual, the generator will be guaranteed correct combustion over time, thus preventing any faults and/or malfunctions which may require subsequent technical assistance. Requests for routine maintenance are not covered by the warranty.

### GASKETS: PELLET HOPPER LID, DOOR, ASH DRAWER AND BURN POT

The gaskets ensure the proper sealing of the stove and therefore its proper operation.

They must be periodically checked and immediately replaced if worn or damaged.

These operations must be carried out by a qualified technician.

### CONNECTION TO THE FLUE

Annually, or in any case each time the flue pipe needs to be vacuumed and cleaned. If there are horizontal sections, the residue must be removed to prevent it from obstructing the flow of fumes.

### SHUT-DOWN (END OF SEASON)

At the end of each season, before turning the stove off, it is advisable to completely empty the pellet hopper, removing any pellet residue and dust with a vacuum cleaner.

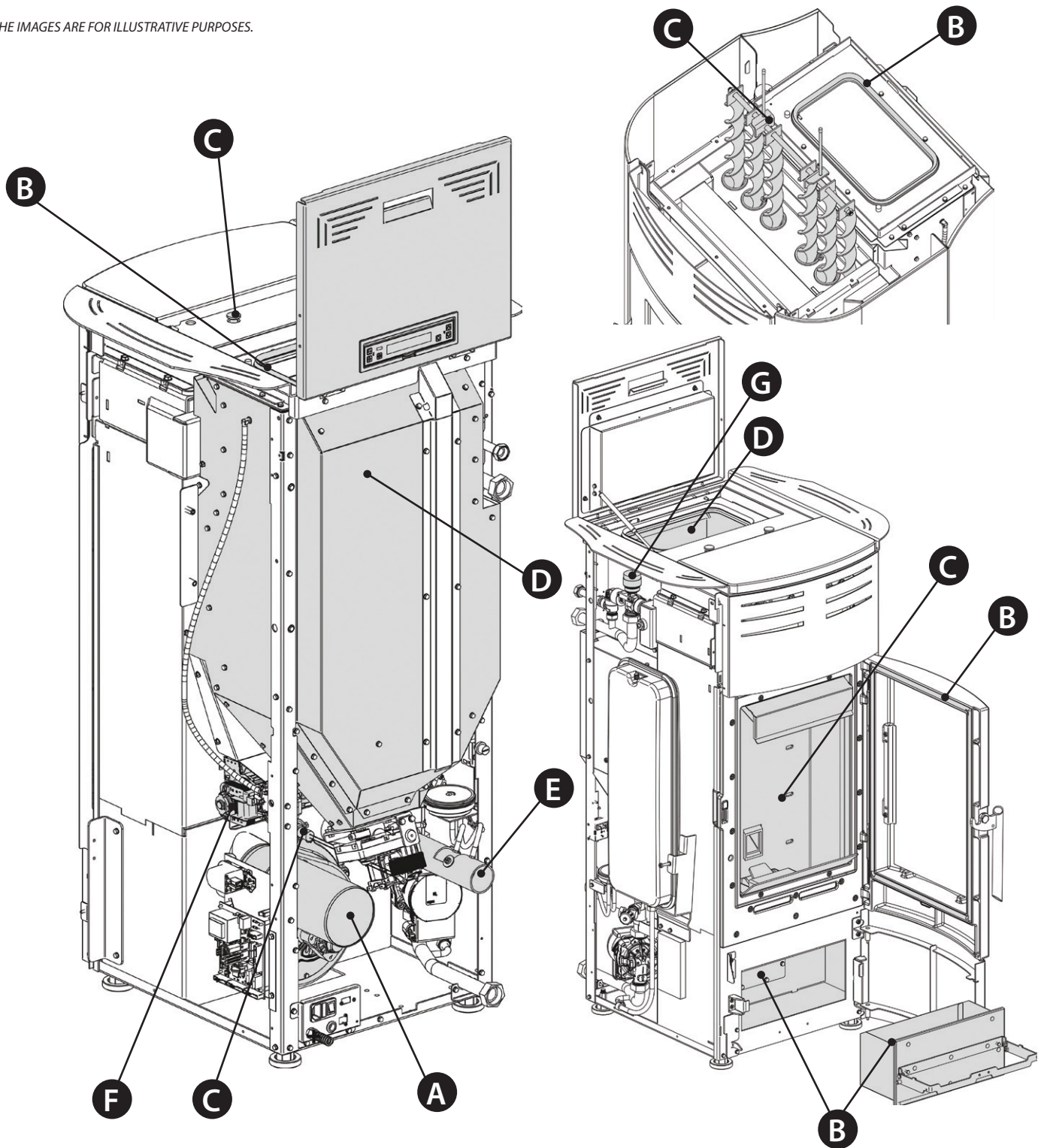
**IT IS ADVISABLE NOT TO DISCONNECT THE GENERATOR FROM THE POWER SUPPLY TO ALLOW THE PUMP TO CARRY OUT THE NORMAL ANTI-BLOCK CYCLES.**

Routine maintenance must be performed at least once a year.

THE IMAGES ARE FOR ILLUSTRATIVE PURPOSES.

TO FIND OUT WHERE YOUR NEAREST SERVICE CENTRE IS, CONTACT YOUR DEALER OR VISIT THE WEBSITE:  
[WWW.LANORDICA-EXTRAFLAME.COM](http://WWW.LANORDICA-EXTRAFLAME.COM)

THE IMAGES ARE FOR ILLUSTRATIVE PURPOSES.



<b>A</b>	Fumes motor (disassembly and cleaning and fumes pipe and "T"), new silicone in the provided points
<b>B</b>	Gaskets, pellet hopper, inspections, ash drawer and door (replace and apply silicone where indicated)
<b>C</b>	Combustion chamber and heat exchanger (full cleaning) including ignition plug pipe
<b>D</b>	Hopper (complete emptying and cleaning).
<b>E</b>	Check air intake pipe and cleaning of the flow sensor
<b>F</b>	Remove the room air fan and remove any dust and pellet residue.
<b>G</b>	Manual purge valve

## DISPLAYS



DISPLAY	REASON
<b>OFF</b>	Generator off
<b>START</b>	The start-up phase is in progress
<b>PELLET LOADING</b>	Continuous pellet feeding is in progress during the ignition phase
<b>IGNITION</b>	The ignition phase is in progress
<b>PREPARATION</b>	The <b>PREPARATION</b> phase is in progress
<b>WORK</b>	The normal work phase is in progress
<b>MODULATION</b>	The generator is working at minimum
<b>**BURN POT CLEANING</b>	Automatic burn pot cleaning is in progress
<b>FINAL CLEANING</b>	The final cleaning is in progress
<b>STAND BY</b>	Generator off waiting for re-ignition due to an external thermostat
<b>COOLING - STAND BY</b>	A new ignition is attempted when the generator has just been switched off. When the generator switches off, one must wait for the complete shutdown of the fumes motor, then clean the burn pot. The generator can only be re-ignited when these operations have been performed.
<b>H-OFF</b>	Generator off due to water temperature over set.
<b>**T-AMB</b>	Displays the room temperature (in models with this function).
<b>*T - OFF</b>	Generator off waiting for re-ignition due to all requests met
<b>BLACK OUT STAND BY</b>	The generator is cooling after a power cut. Once cooling is completed, it will re-start automatically
<b>ANTI-FREEZING</b>	The anti-freezing function is in progress as the H2O temperature is below the factory set threshold the pump is active until the water reaches the pre-set factory parameter +2°C
<b>ANTI-BLOCK</b>	The pump anti-block function is in progress (only if the generator has been in an OFF state for at least 96 hours); the pump is activated for the time pre-set by the manufacturer, in order to prevent it from blocking
<b>AUTO BLOW</b>	The automatic blow is active
<b>CLOSE STOVE DOOR</b>	This indication means that you have 60 seconds to close the hatch/door and the pellet lid.
<b>CLOSE HOPPER</b>	Once 60 seconds have passed, during ignition the stove will go into " <b>DEPR ALARM</b> " mode, while during normal operation the stove will go into " <b>COOLING STAND BY</b> " mode before automatically resuming operation once the conditions are satisfied (cold stove, etc.).
<b>DEACT.BULB THERM.</b>	Contact after-sales centre

\* if there is an additional system data sheet

\*\* on models with this function.



## ALARMS

DISPLAY	EXPLANATION	SOLUTION
	Indicates the presence of an alarm.	On: indicates the presence of an alarm Flashing: indicates the deactivation of the depression sensor. The alarm can be reset only if the fumes motor has stopped and 15 minutes have passed since the alarm was displayed, by pressing the key 1/ON/  for 3 seconds.
<b>FUMES MOTOR FAULT</b>	Fumes motor fault	Contact after-sales centre
<b>FUMES PROBE</b>	Fumes probe fault.	Contact after-sales centre
<b>HOT FUMES</b>	High fumes temperature	Check pellet feed (see "Pellet feed adjustment"). If the problem cannot be solved, contact an authorised technician.
<b>**CHAMB PROBE</b>	Chamber probe fault.	Contact the after-sales centre.
<b>NO IGNITION</b>	The pellet hopper is empty. Pellet feed calibration inadequate. Thermostat bulbs tripped.	Check for the presence of pellets in the hopper. Adjust the pellet flow (see "Pellet load adjustment"). Check the procedures described in the "Ignition" chapter. Check bulb thermostats (see chapter on Resetting)
<b>NO IGNITION BLACK OUT</b>	No power during the ignition phase.	Turn the stove off using key 1 and repeat the procedure described in the "IGNITION" chapter. Other reset operations should be performed by an authorised technician.
<b>NO FLAME</b>	The pellet hopper is empty. No pellet feed. The gearmotor does not feed pellets.	Check for the presence of pellets in the hopper. Check bulb thermostats (see chapter on Resetting) Adjust the pellet flow (see "Pellet feed adjustment").
<b>DEPR ALARM</b>	The door is not closed correctly. The ash drawer is not closed correctly (if present)	Check hermetic door closure. Check hermetic closure of the ash drawer (if present).
<b>**MIN DELTA-P ALARM 1</b>	The combustion chamber is dirty. The fumes exhaust pipe is blocked/dirty The vacuum detection channel inside the ash drawers is clogged.	Check cleanliness of the fumes pipe and the combustion chamber. Check and clean the hose connection and the ash drawer pressure switch tube. Contact after-sales centre
<b>H2O PROBE</b>	H2O probe fault	Contact after-sales centre
<b>MIN H2O PRESSURE ALARM</b>	The system pressure read by the pressure switch is too low.	Possible air in the system; bleed the system. Possible lack of water or leaks due to anomalies in some system component. If the problem persists, contact the service centre.
<b>MAX H2O PRESSURE ALARM</b>	The pressure of the water has exceeded the max threshold	Possible air in the system; bleed the system. Check that the expansion vessels are not damaged or under-dimensioned Check that the cold system is loaded at the correct pressure If the problem persists, contact the service centre.
<b>AUGER CONTROL ALARM</b>	Abnormal pellet feeding.	Contact after-sales centre
<b>**AUGER BLOCKED</b>	Abnormal operation of pellet motor.	Contact after-sales centre

\* if there is an additional system data sheet

\*\* on models with this function.

<b>**TRAPDOOR BLOCKED</b>	The automatic cleaning of the burn pot is blocked. Burn pot dirty/clogged The door is not closed correctly.	Check that the door closes correctly. Check that the burn pot is clear and clean. The automatic cleaning of the burn pot is blocked. If the problem persists, contact the service centre.
<b>**MAX ELECTRICAL CURRENT</b>	The automatic cleaning of the burn pot is blocked. Burn pot dirty/clogged The door is not closed correctly.	Check that the door closes correctly. Check that the burn pot is clear and clean. The automatic cleaning of the burn pot is blocked. If the problem persists, contact the service centre.
<b>*DHW PROBE</b>	Fault in DHW PROBE probe.	Contact after-sales centre
<b>*BUFFER TANK PROBE</b>	Fault in BUFFER TANK probe.	Contact after-sales centre
<b>PWM INTERFACE ALARM</b>	IPWM output interface damaged, in short circuit or not connected	Contact after-sales centre
<b>HOT PWM ALARM</b>	The pump is operating but not with good performance. Undervoltage 160-194v. Pump in circuit breaker protection mode.	Contact after-sales centre
<b>STOPPED PWM ALARM</b>	The pump has stopped but is still operational. Undervoltage < 160v. Overvoltage. Unexpected external flow.	Contact after-sales centre
<b>STOPPED 2 PWM ALARM</b>	The pump has stopped but is still operational. Problem in a component different to the pump. Debris in installation. Positioning in high temperature.	Contact after-sales centre
<b>BLOCKED PWM ALARM</b>	The pump has stopped permanently Pump blocked. Electronic module damaged	Contact after-sales centre
<b>FLOW PWM ALARM</b>	Pump blocked. Liquid with high density. Pipe obstructed.	Contact after-sales centre
<b>**DELTA-P FAULT</b>	Differential pressure transducer faulty or disconnected.	Contact after-sales centre
<b>MIN DELTA-P ALARM 2</b>	The ash drawer is not closed correctly. The air intake is clogged. The combustion chamber is dirty. The holes in the burn pot are clogged. The heat exchanger and/or the fume pipe of the appliance are dirty. The T-shaped fitting, the flue pipe or the chimney flue are clogged.	Check hermetic closure of the ash drawer. Clean the air intake. Clean the combustion chamber. Clear the burn pot holes. Clean the heat exchanger and the fume pipe of the appliance. Clean/clear the T-shaped fitting, the flue pipe and the chimney flue. Contact after-sales centre



# **Extraflame**®

## Riscaldamento a Pellet

**EXTRAFLAME S.p.A.** Via Dell'Artigianato, 12 36030 - MONTECCHIO PRECALCINO (VI) - ITALY  
☎ +39.0445.865911 - 📠 +39.0445.865912 - ✉ info@extraflame.it - 🌐 www.lanordica-extraflame.com

**MADE IN ITALY**  
design & production

*TO FIND THE SERVICE CENTRE NEAREST TO YOU  
CONTACT YOUR DEALER OR CONSULT  
THE SITE [WWW.LANORDICA-EXTRAFLAME.COM](http://WWW.LANORDICA-EXTRAFLAME.COM)*

The manufacturer reserves the right to vary the characteristics and the data reported in this pamphlet at any moment and without notice, in order to improve its products.