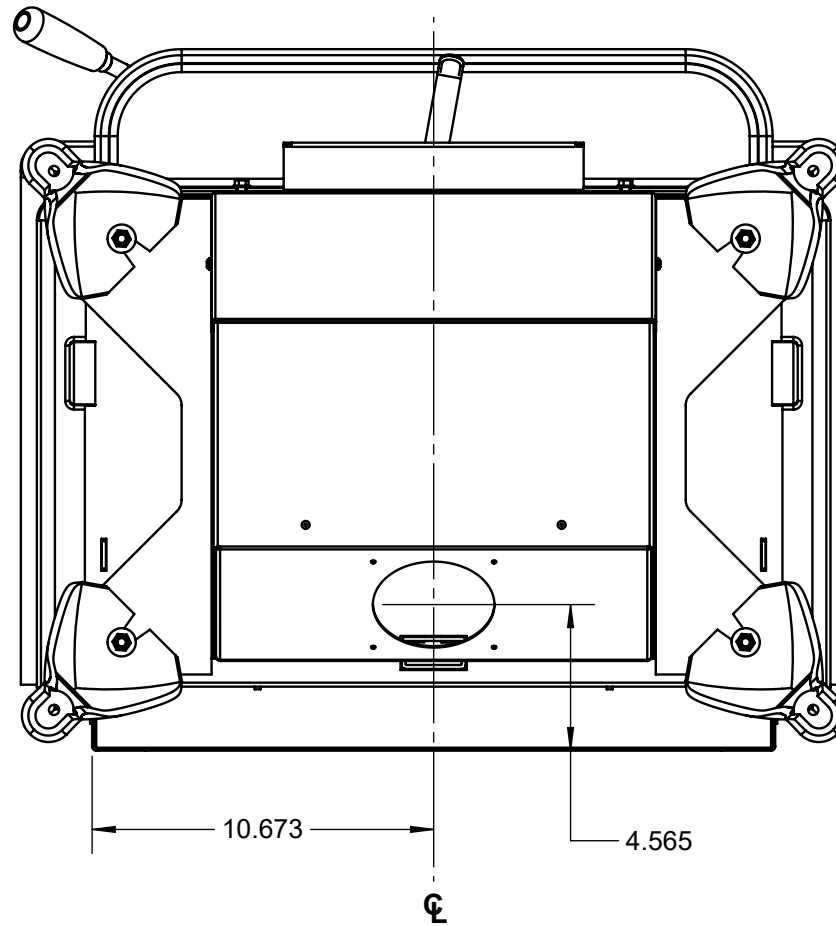


BOM
DRAWING 1 OF 2



REVISIONS					APP'D:	NAME:	DATE:	DR'N:	SCALE:
AR	REV.	DESCRIPTION	DATE	NAME					
						Body, Vista LE, Wood, C/W Leg Adaptor	2019-08-30D		1:12
NOTES:						ASSEMBLY NO.		11010096-A	

