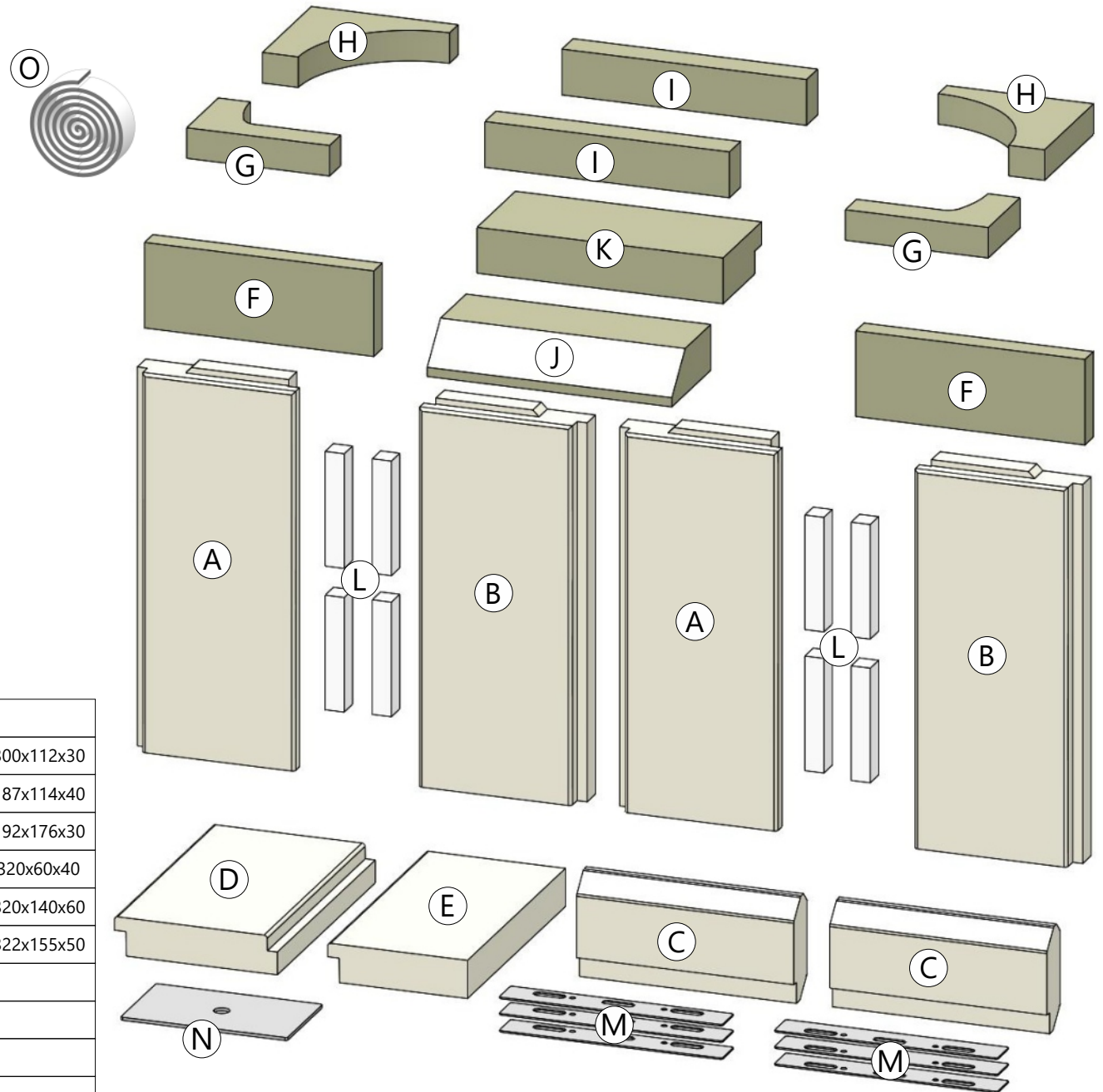
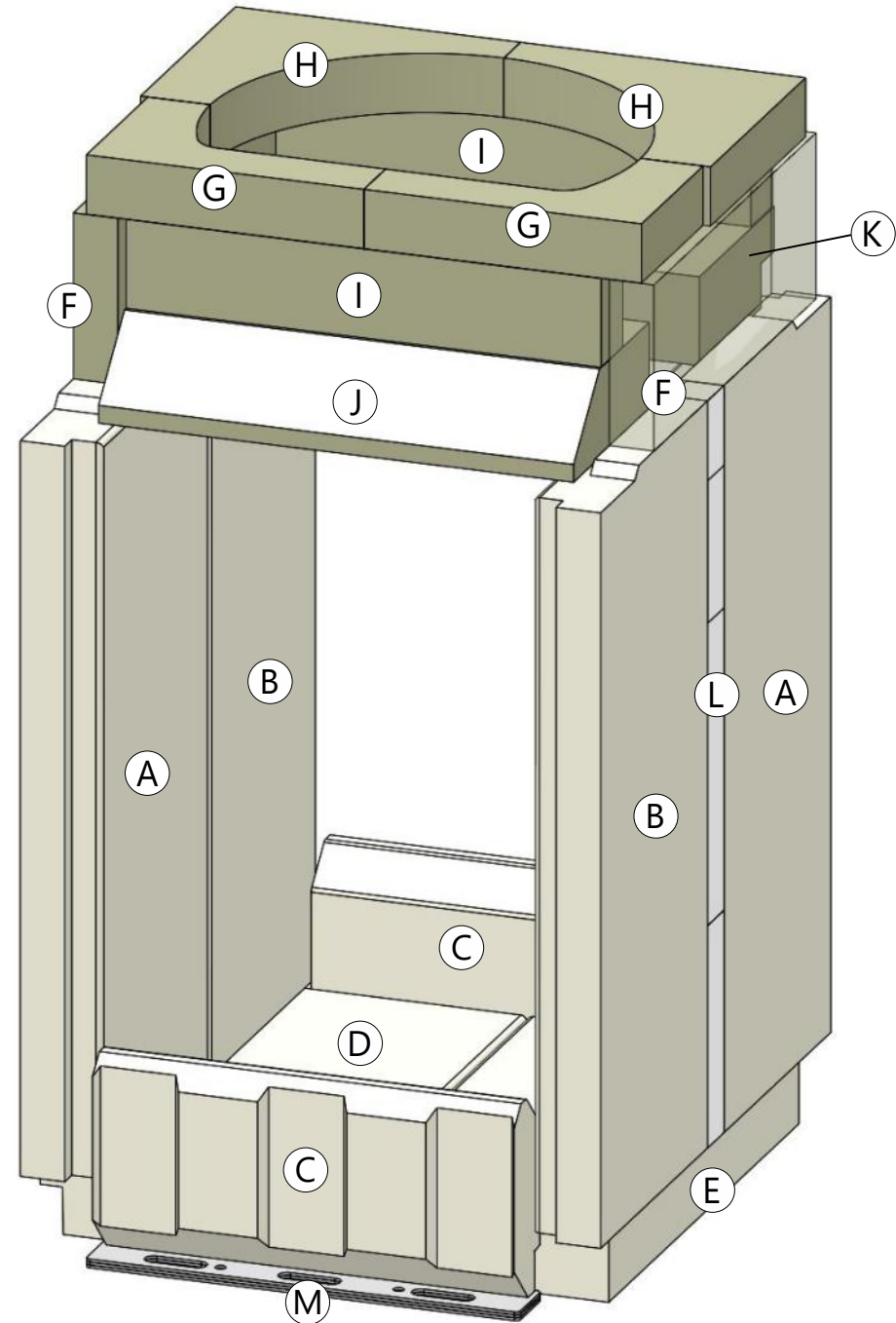


# Fireclay chamber - Schamottekammer - Šamotová komora

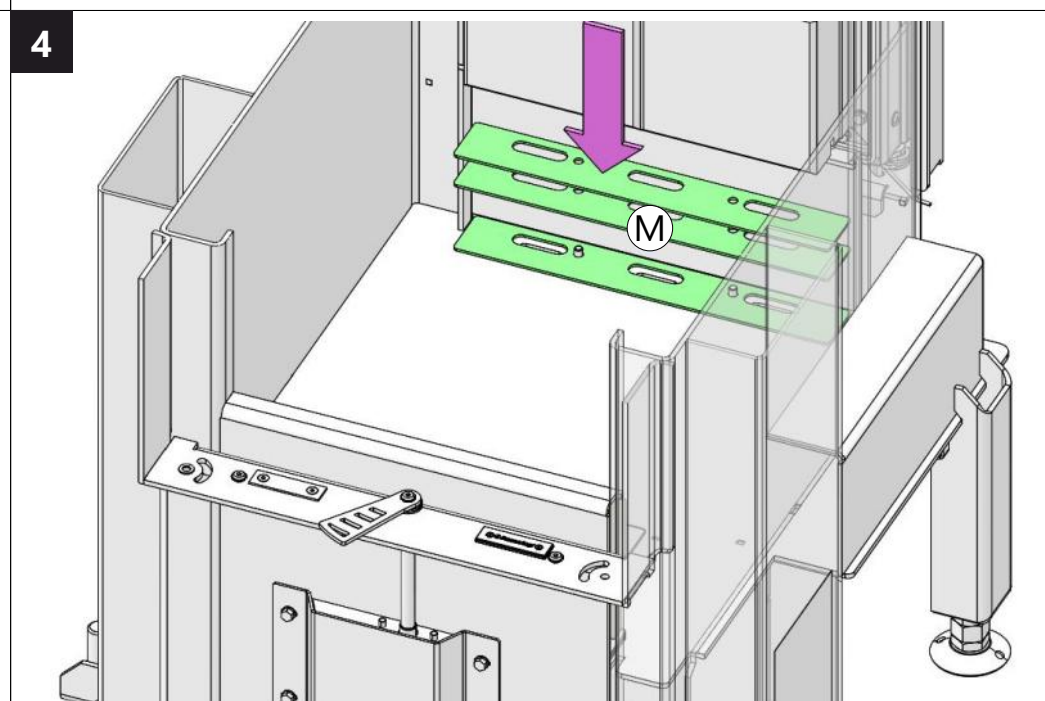
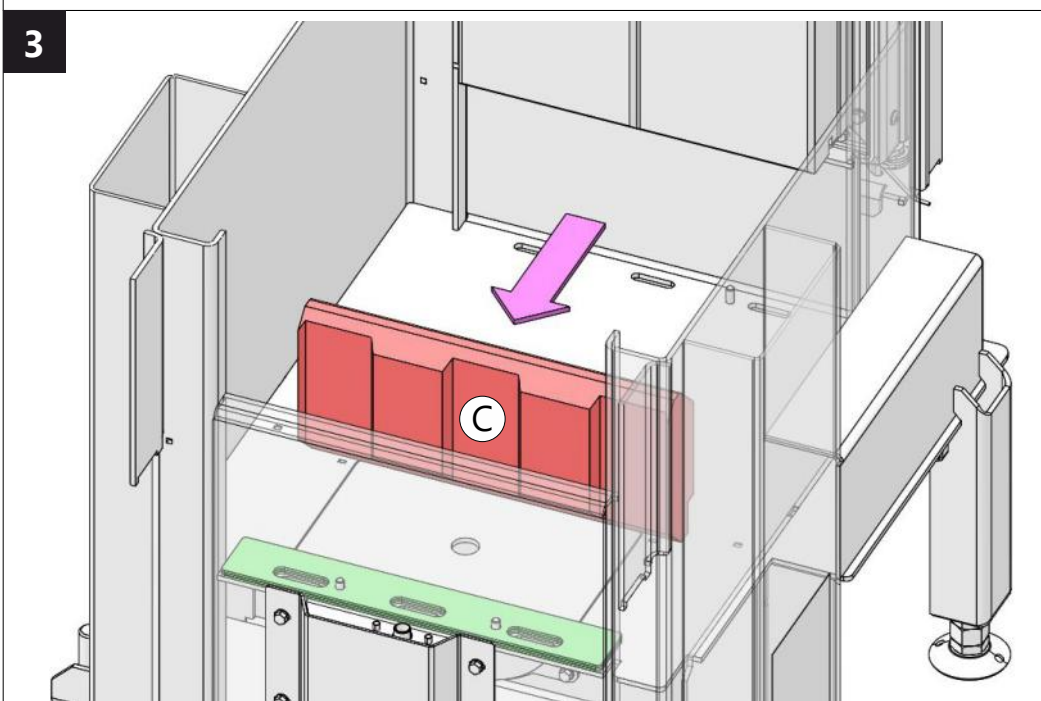
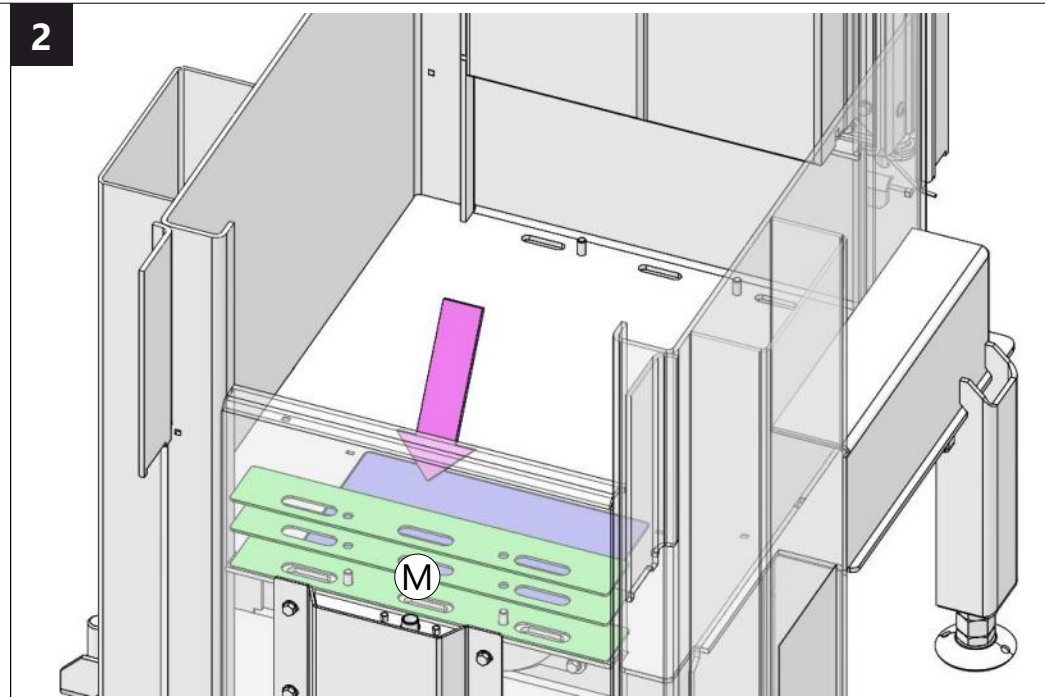
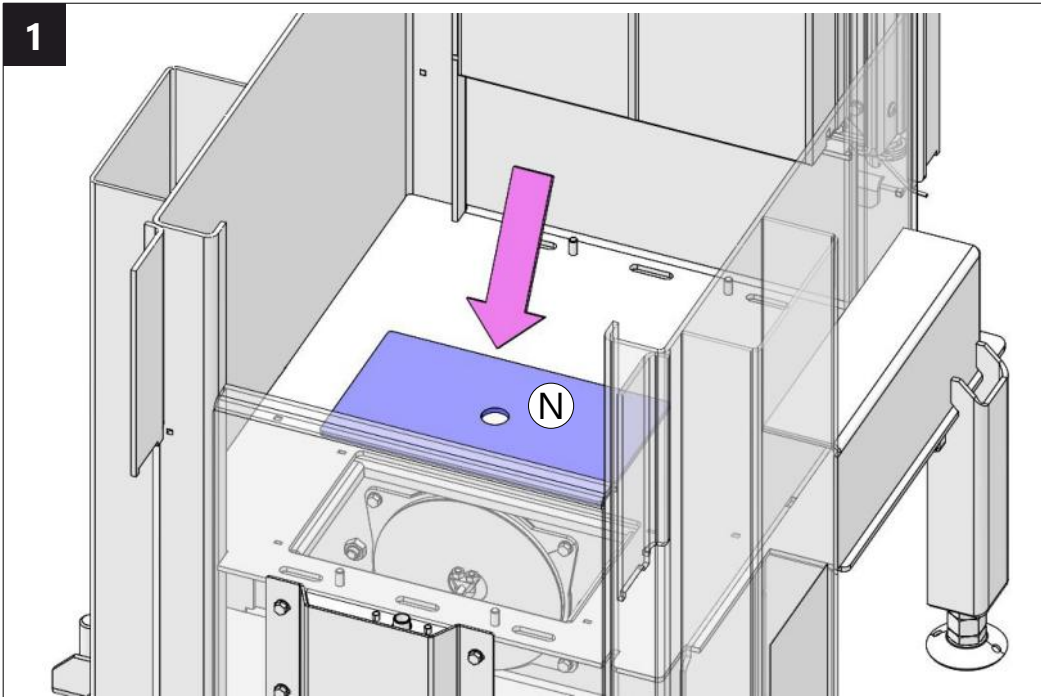
**DYNAMIC B 3G 38.50.01**

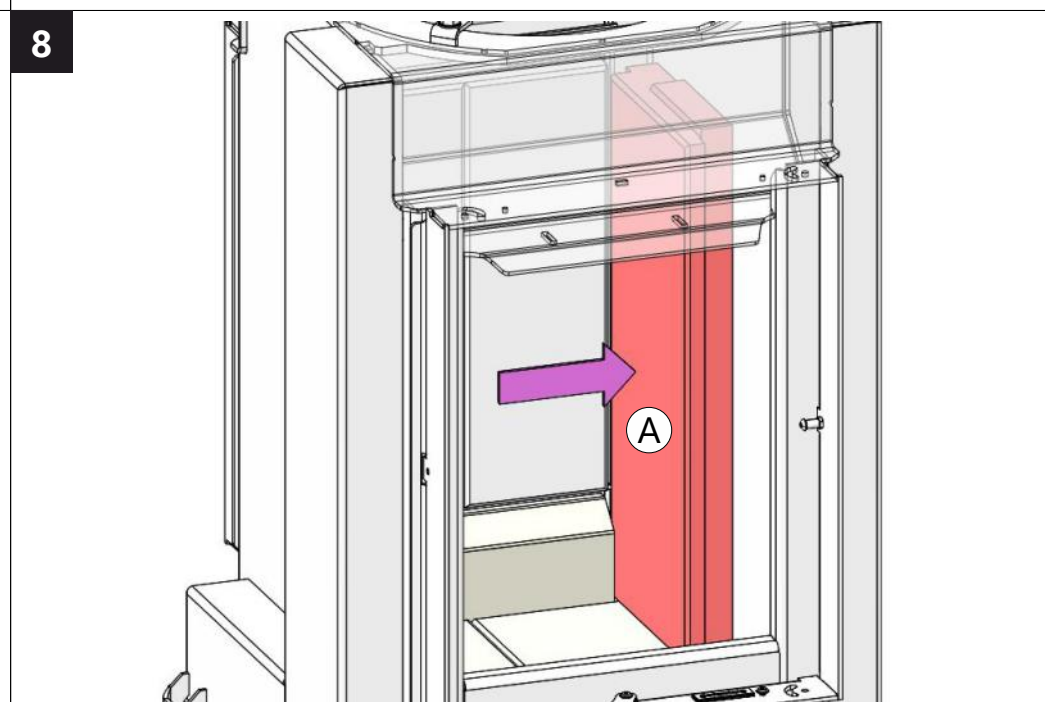
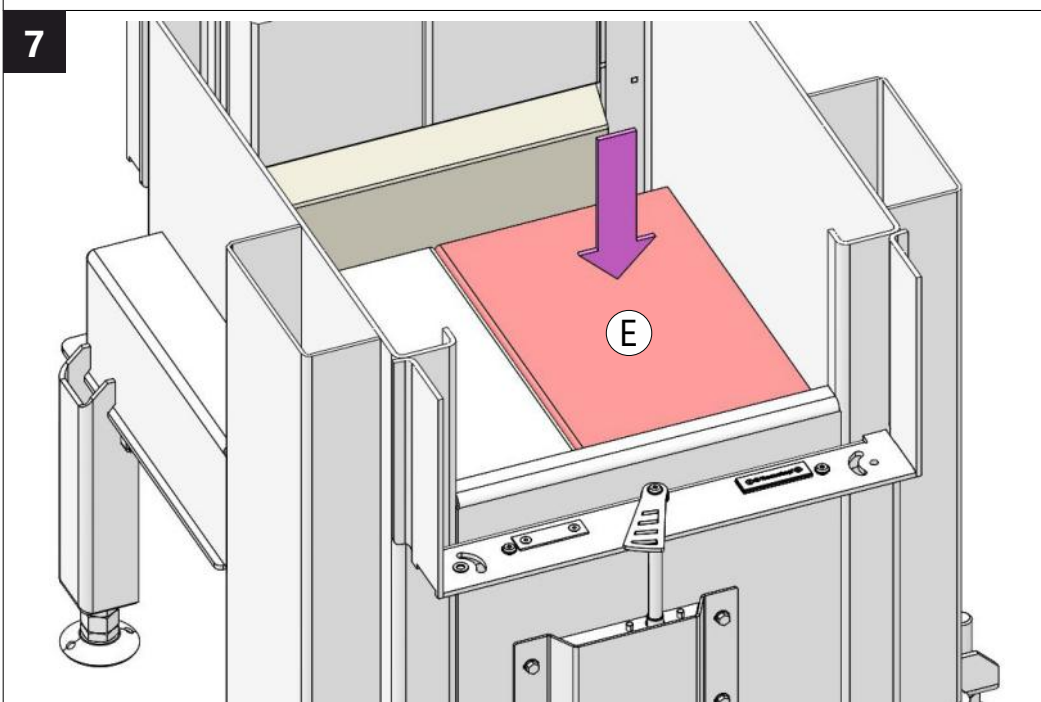
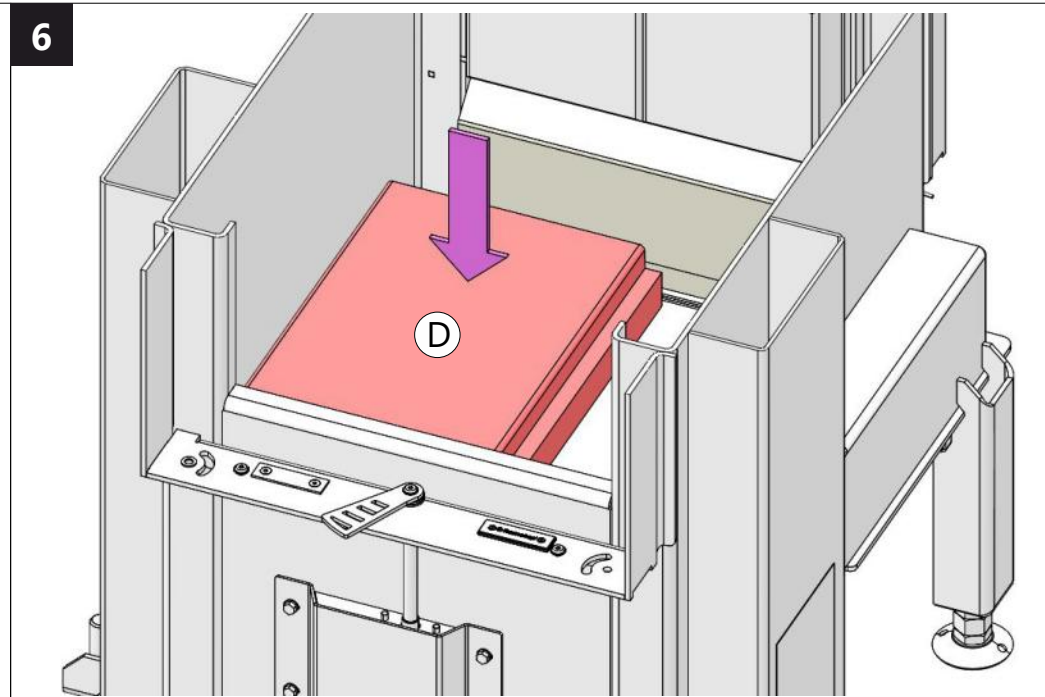
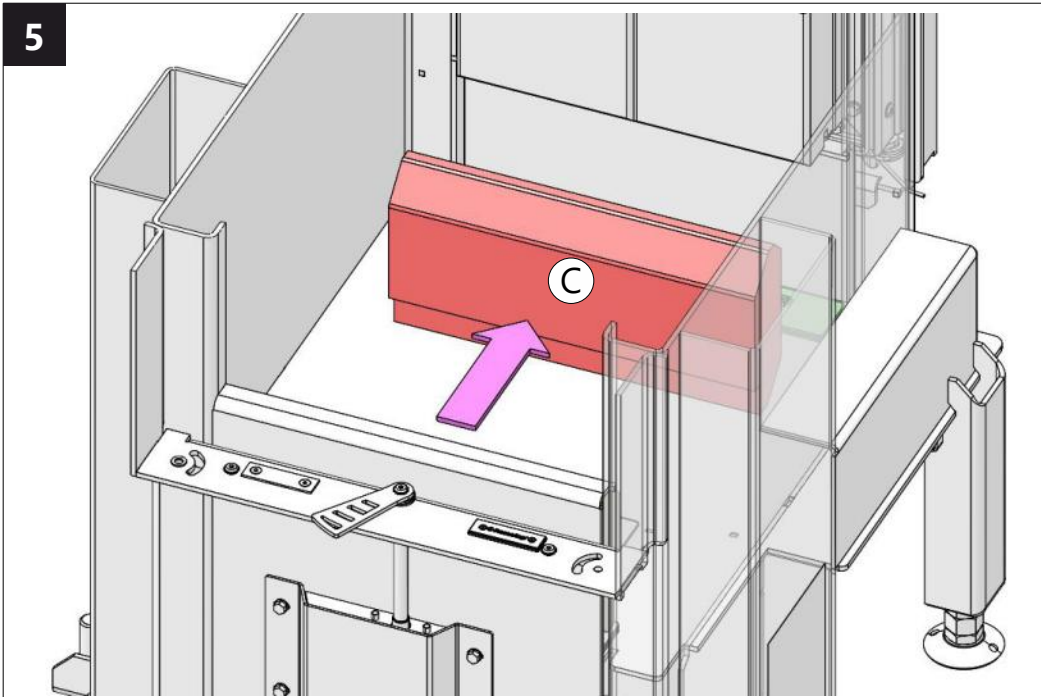


Ⓐ Ⓑ Ⓒ Ⓓ Ⓔ	Fireclay brick - Schamottestein - Šamot	
Ⓕ	Vermiculite - Vermiculit - Vermaculit	300x112x30
Ⓖ	Vermiculite - Vermiculit - Vermaculit	187x114x40
Ⓗ	Vermiculite - Vermiculit - Vermaculit	192x176x30
Ⓘ	Vermiculite - Vermiculit - Vermaculit	320x60x40
Ⓙ	Vermiculite - Vermiculit - Vermaculit	320x140x60
Ⓚ	Vermiculite - Vermiculit - Vermaculit	322x155x50
Ⓛ	Insulating spacer - Isolierplatte - Izolační vložka	
Ⓜ	Shim (under bricks) - Ausgleichplättchen (unter Schamottesteine) - Podložka šamotu	
Ⓝ	Bottom blind flange - Boden Blindflansch - Záslepka dna	
Ⓞ	Butyl adhesive tape - Butyl-Klebeband - Butylová lepicí páska	

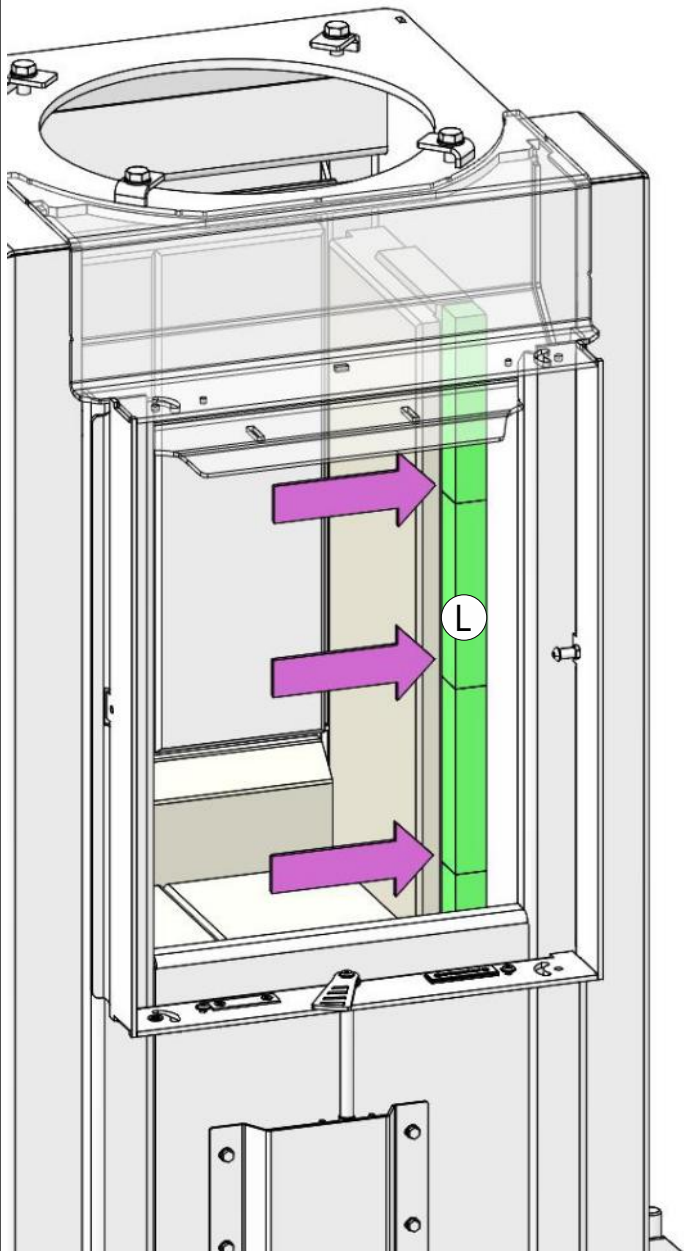


Ⓐ Ⓑ Ⓒ Ⓓ Ⓔ	Fireclay brick - Schamottestein - Šamot	
Ⓕ	Vermiculite - Vermiculit - Vermaculit	300x112x30
Ⓖ	Vermiculite - Vermiculit - Vermaculit	187x114x40
Ⓗ	Vermiculite - Vermiculit - Vermaculit	192x176x30
Ⓘ	Vermiculite - Vermiculit - Vermaculit	320x60x40
Ⓙ	Vermiculite - Vermiculit - Vermaculit	320x140x60
Ⓚ	Vermiculite - Vermiculit - Vermaculit	322x155x50
Ⓛ	Insulating spacer - Isolierplatte - Izolační vložka	
Ⓜ	Shim (under bricks) - Ausgleichplättchen (unter Schamottesteine) - Podložka šamotu	
Ⓝ	Bottom blind flange - Boden Blindflansch - Záslepka dna	
Ⓞ	Butyl adhesive tape - Butyl-Klebeband - Butylová lepicí páska	

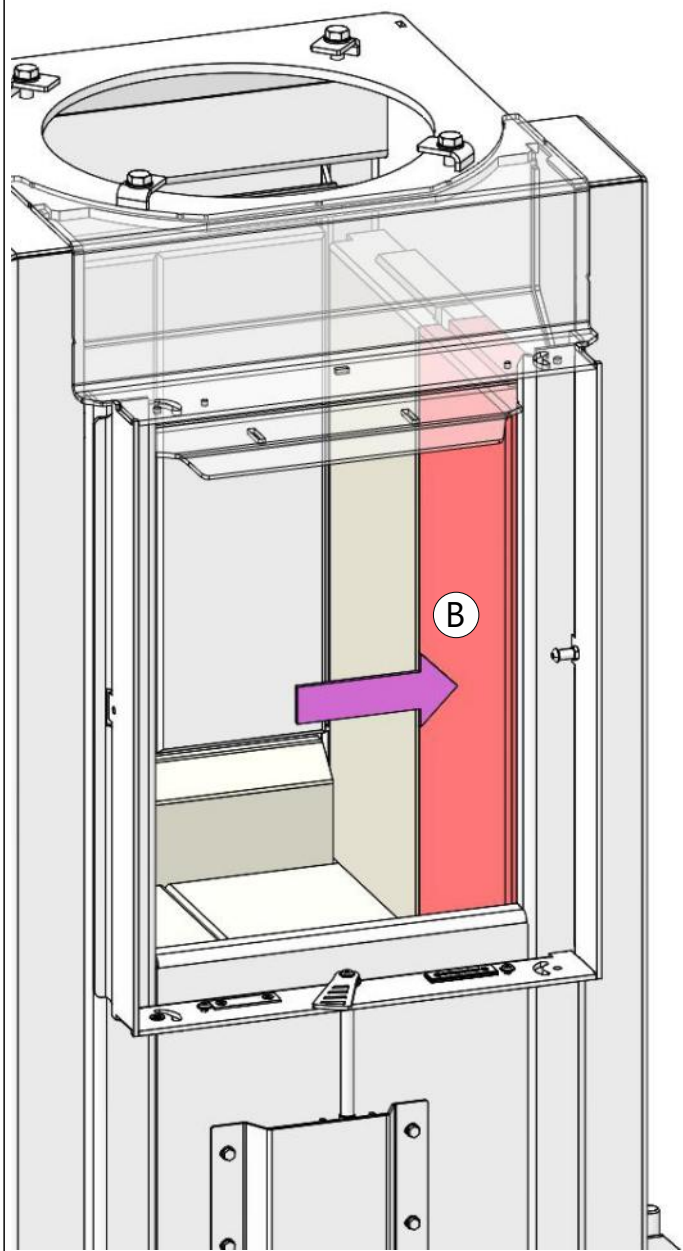




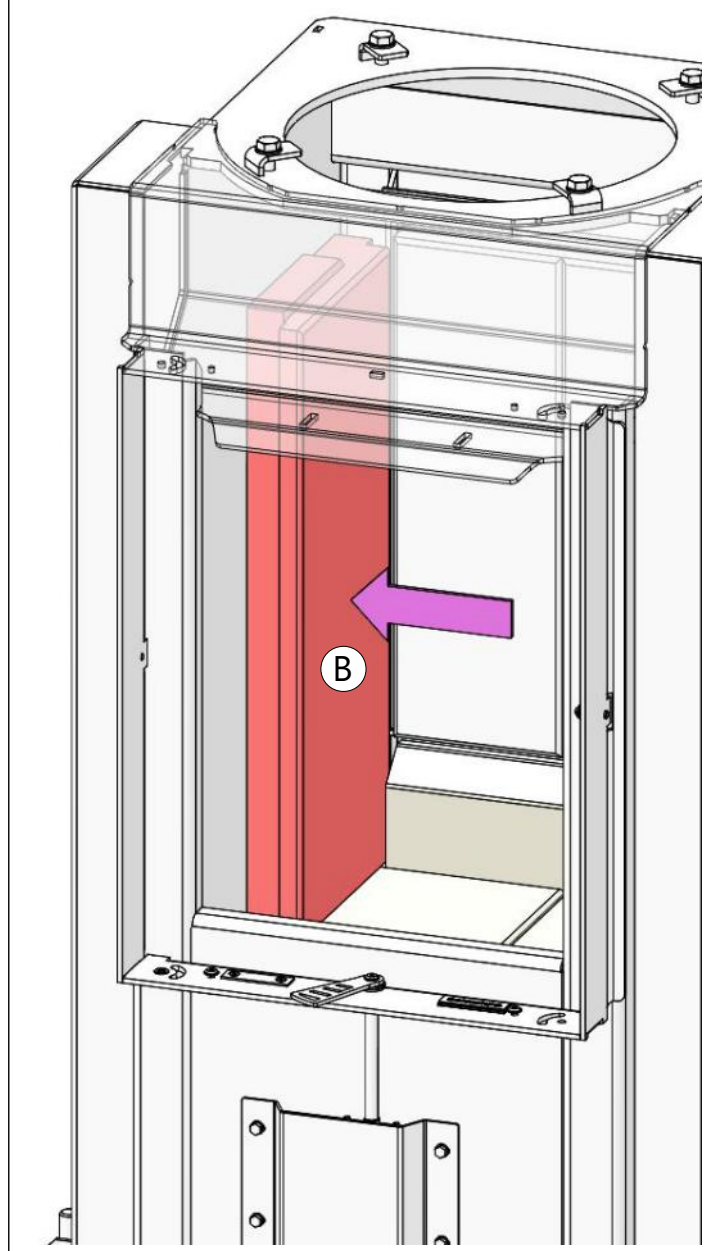
9



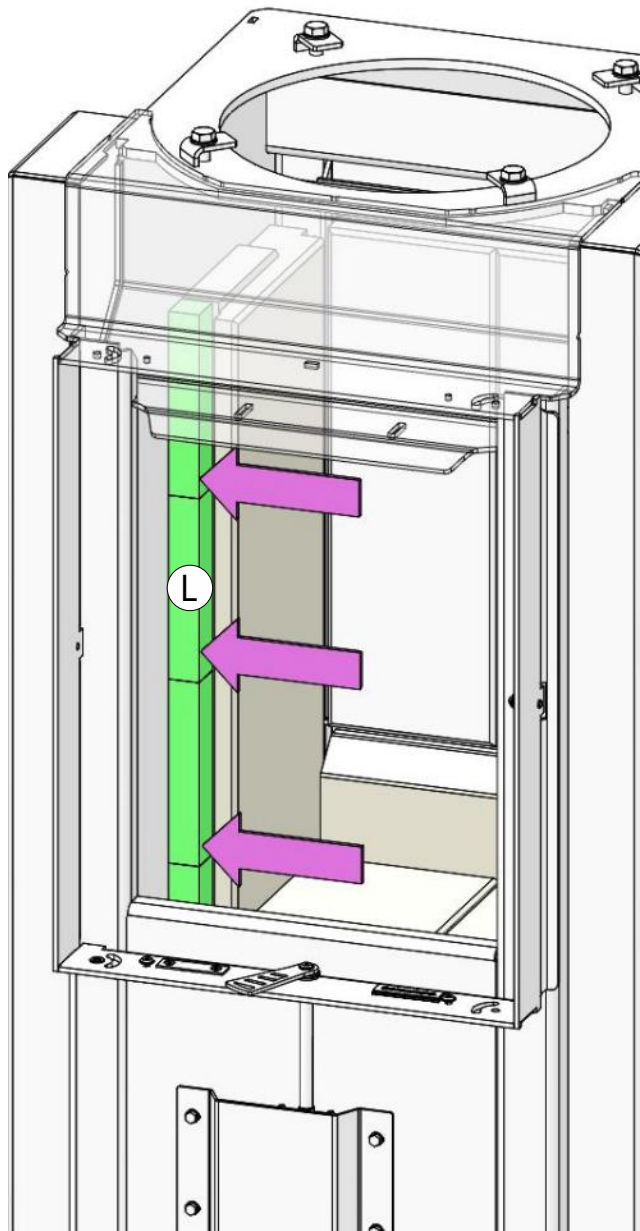
10



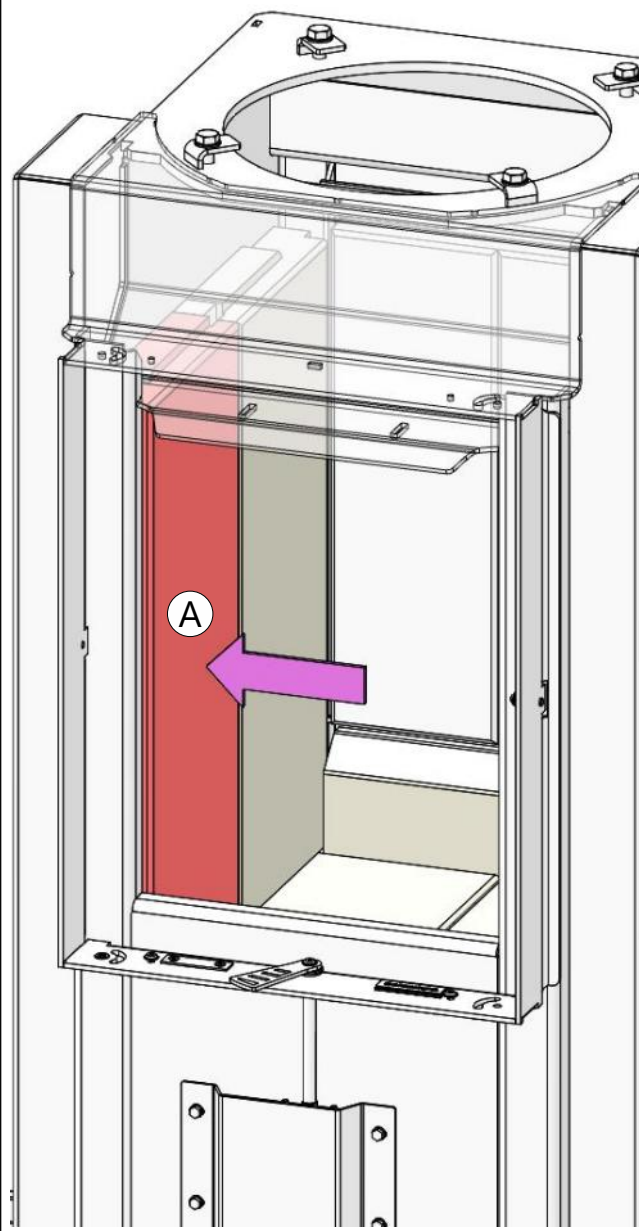
11



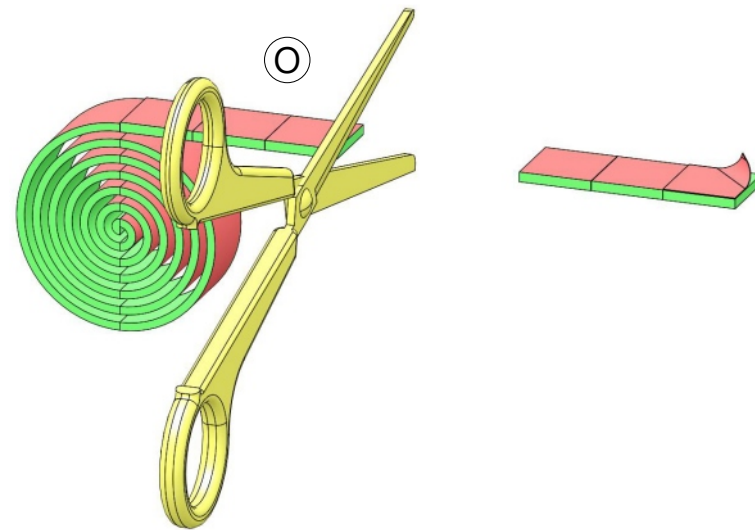
12



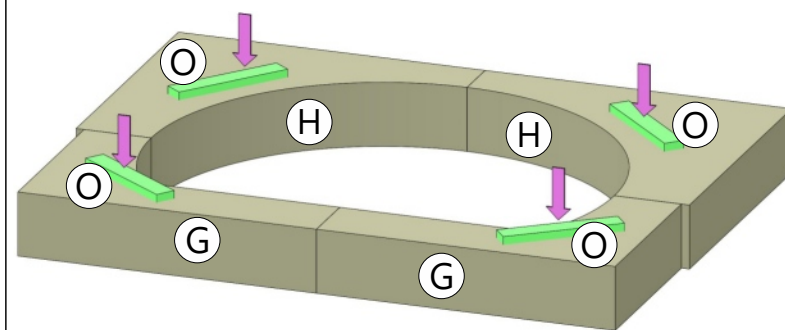
13



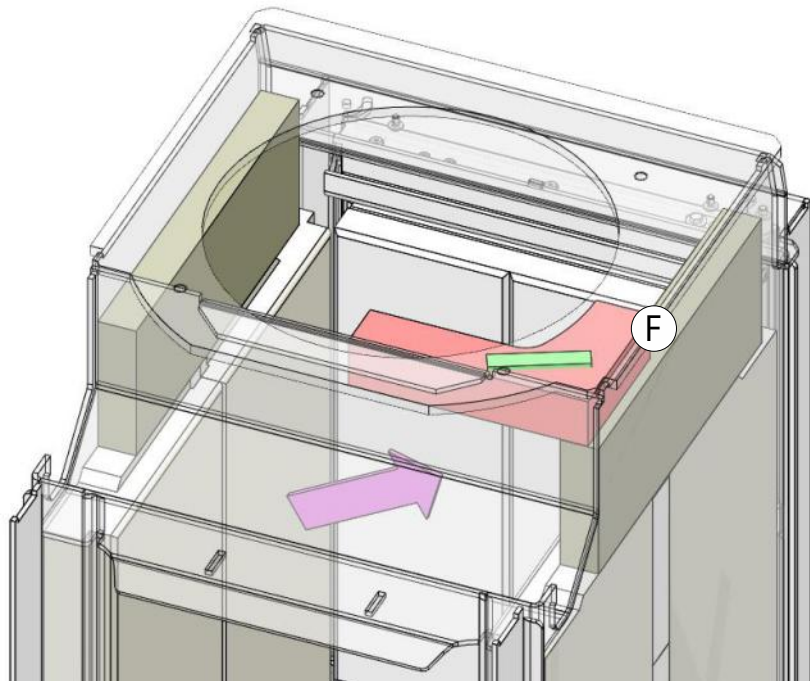
14



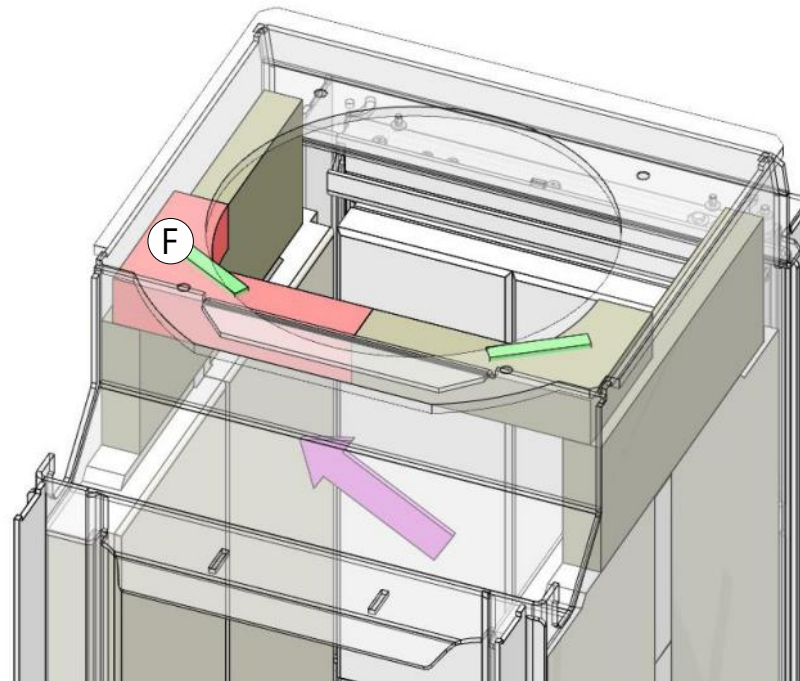
15



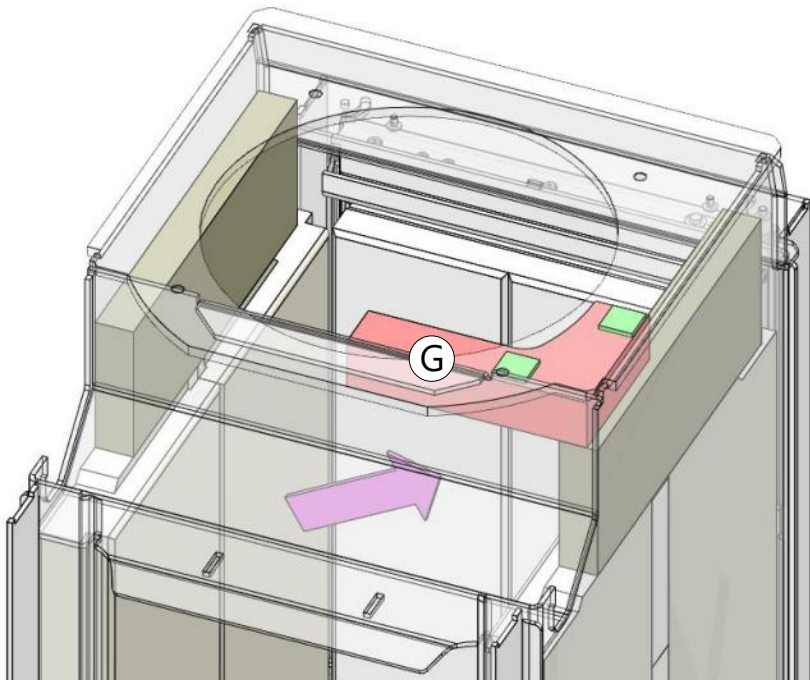
16



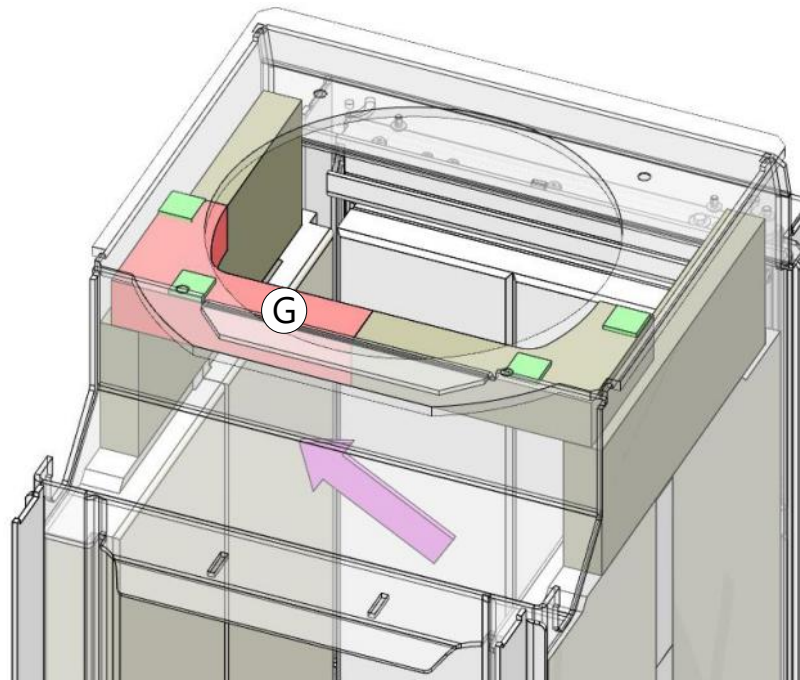
17



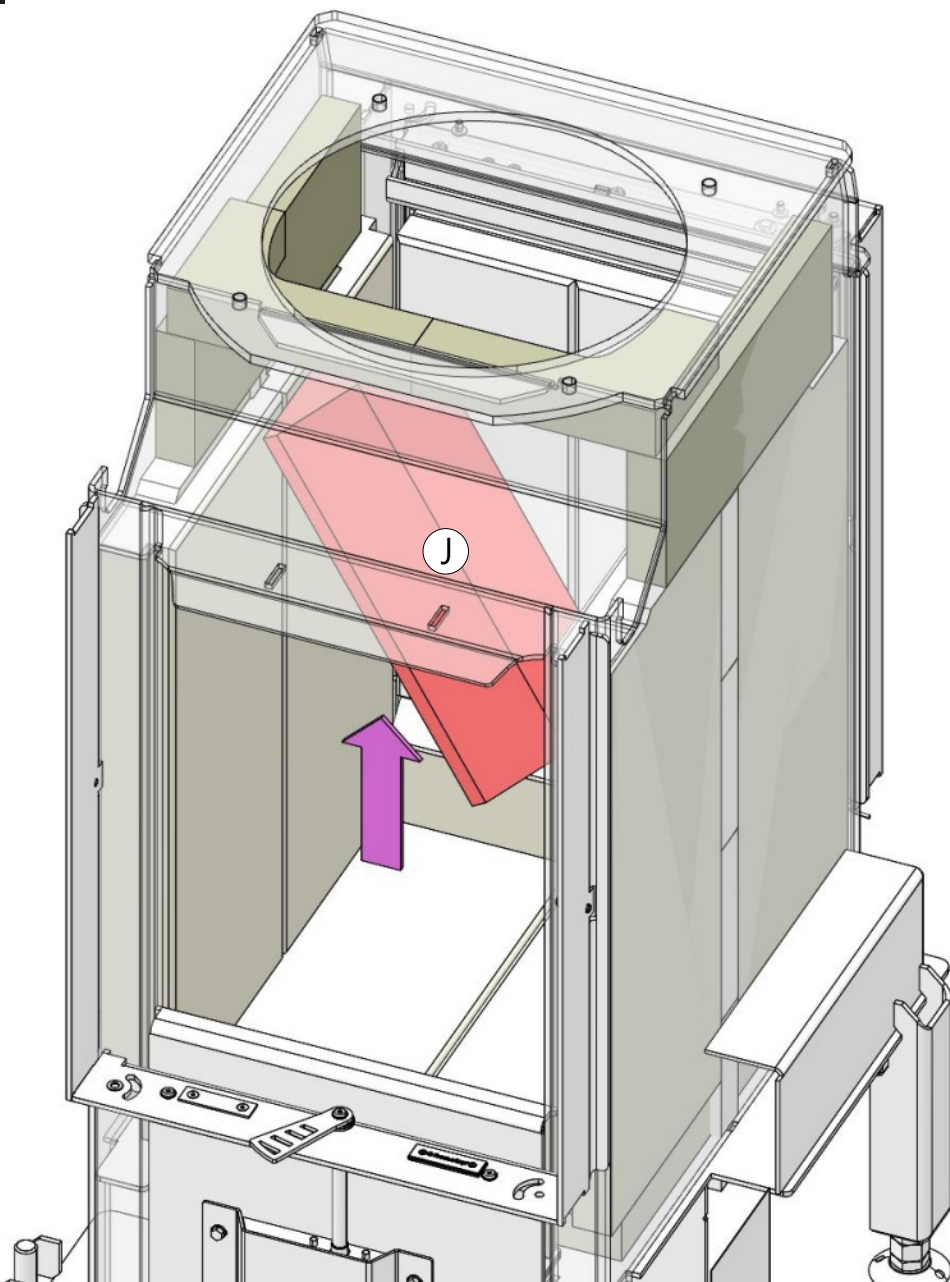
18



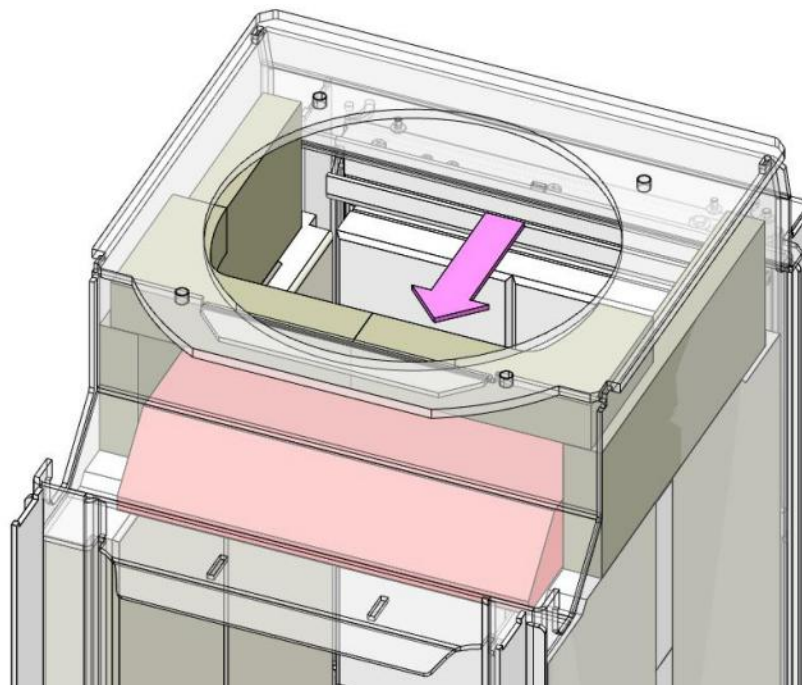
19



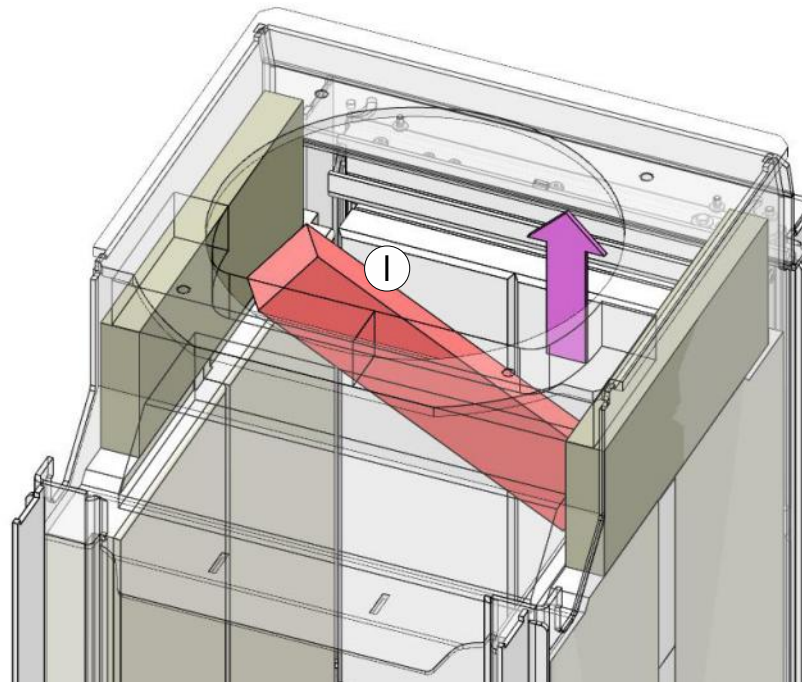
20



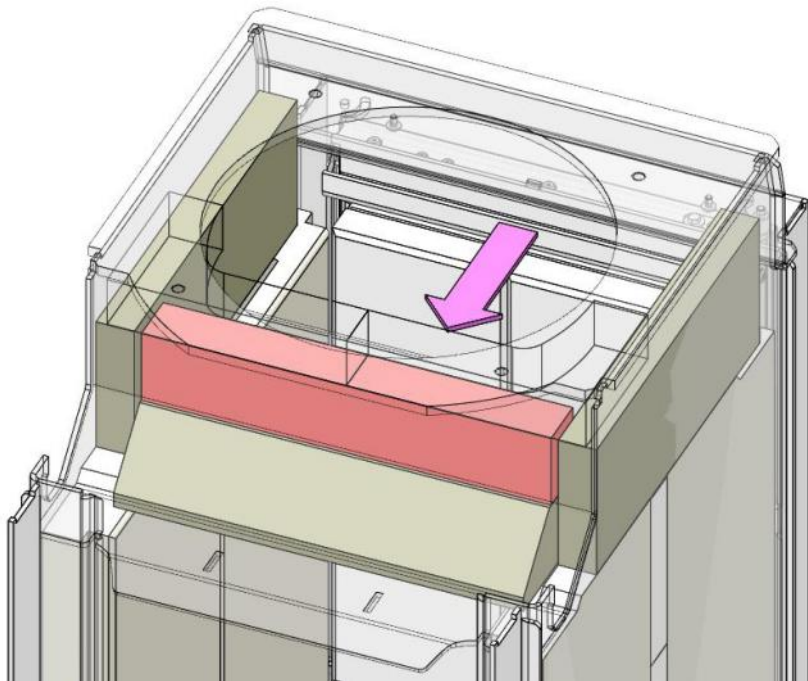
21



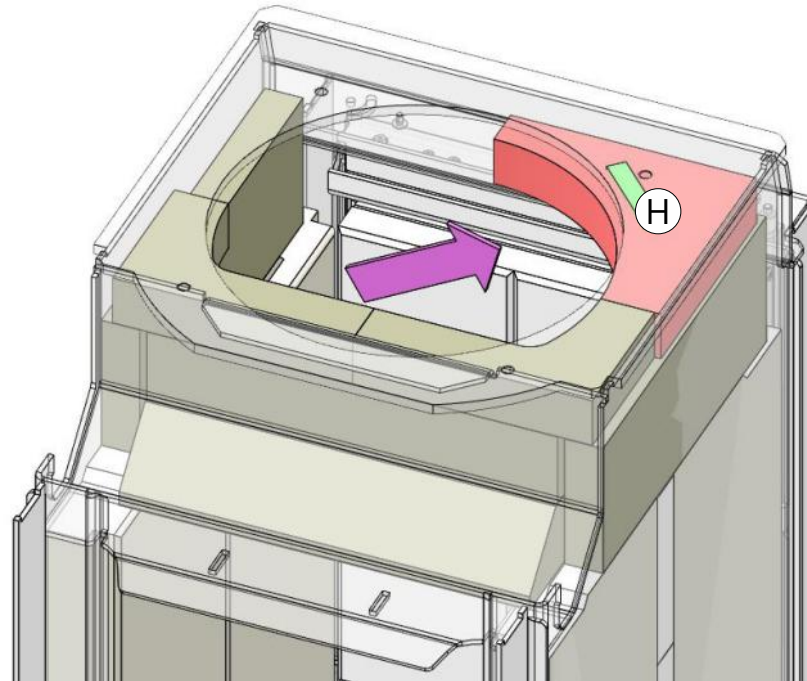
22



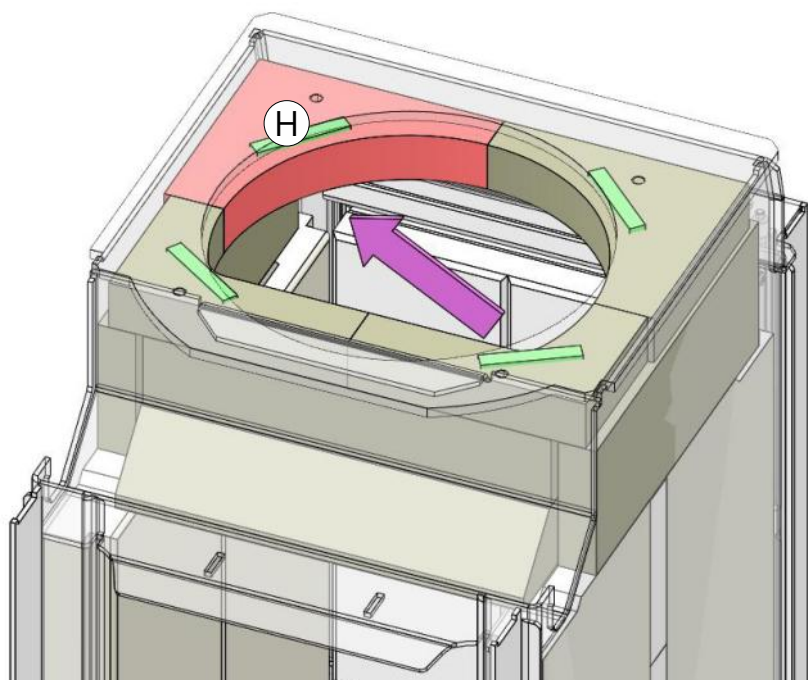
23



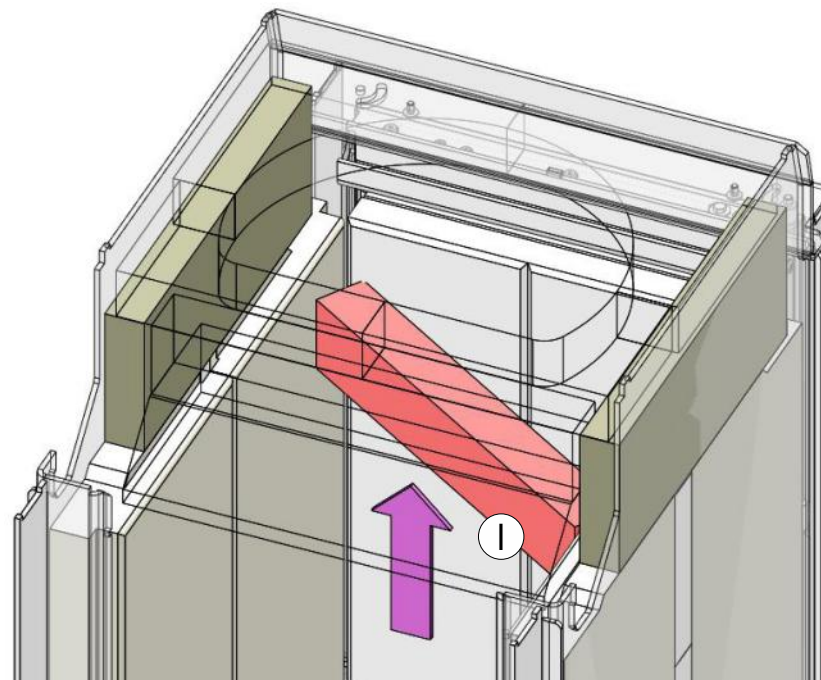
24



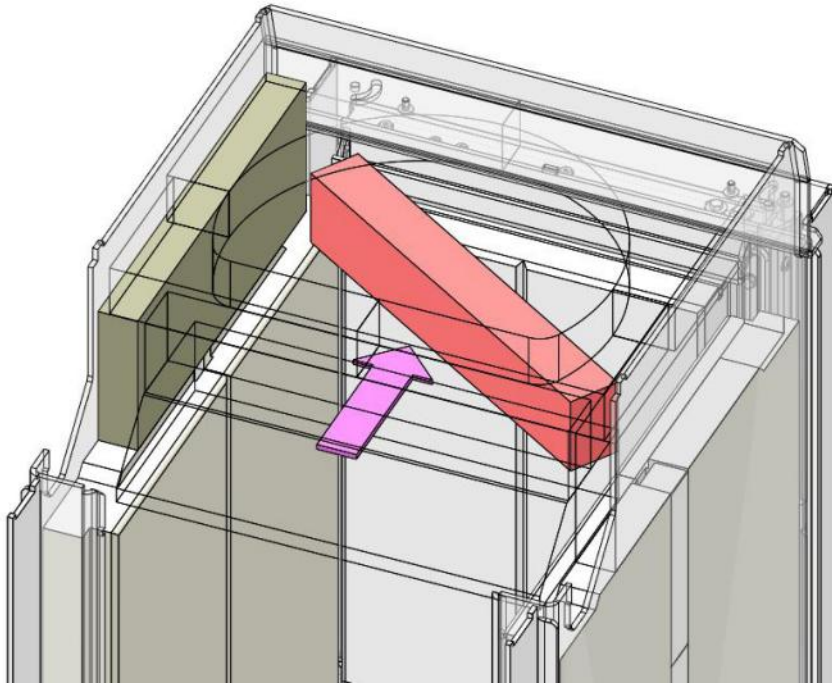
25



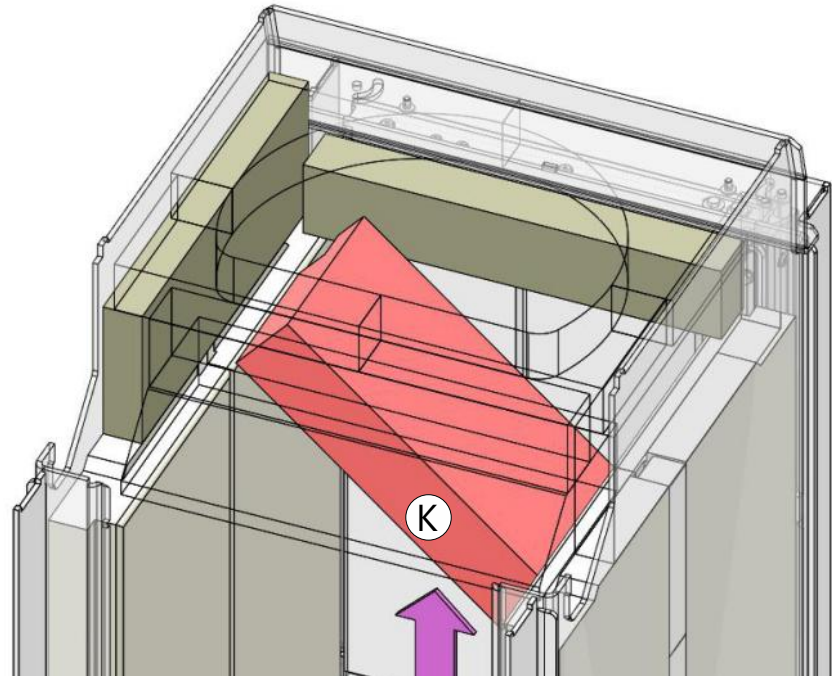
26



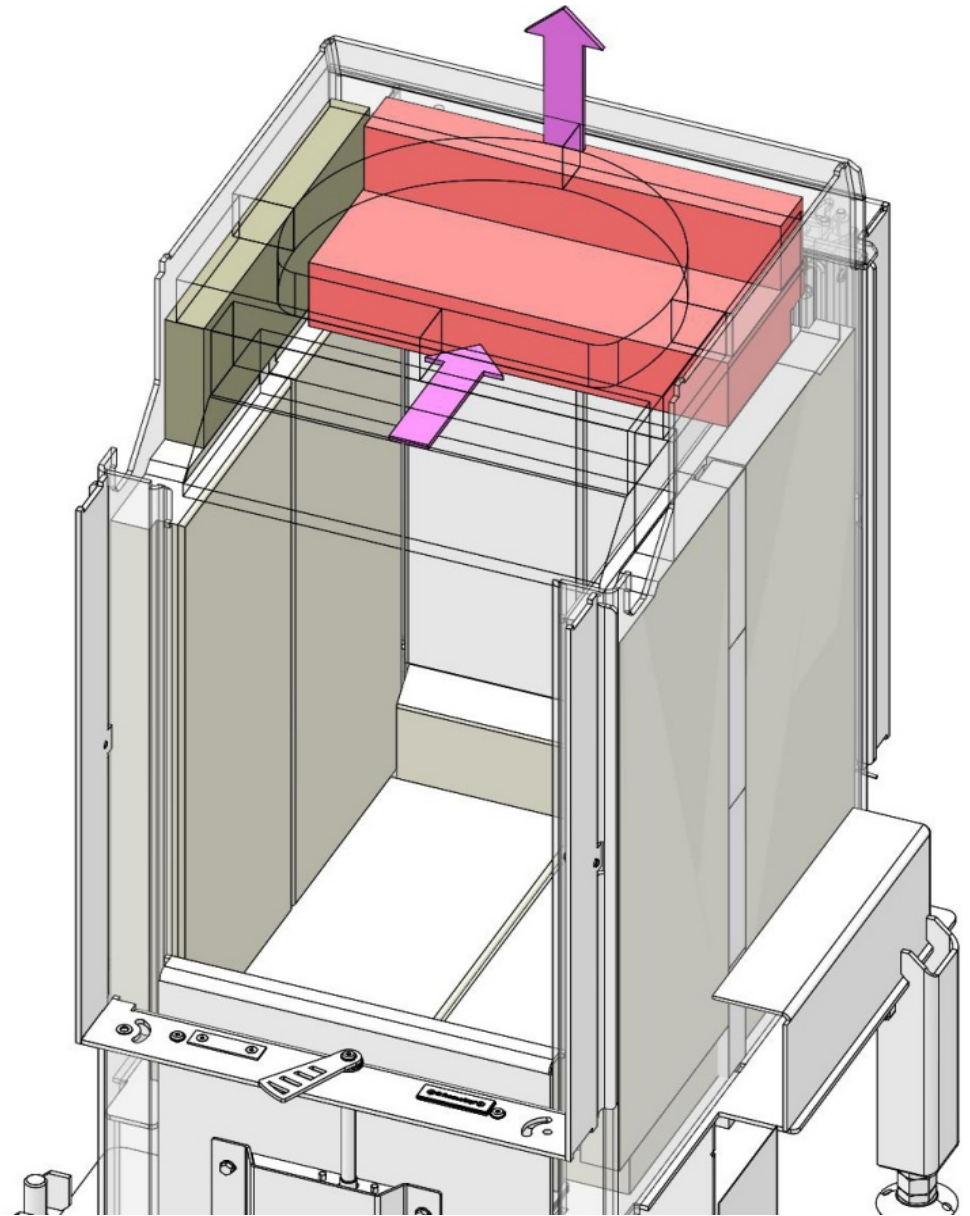
27



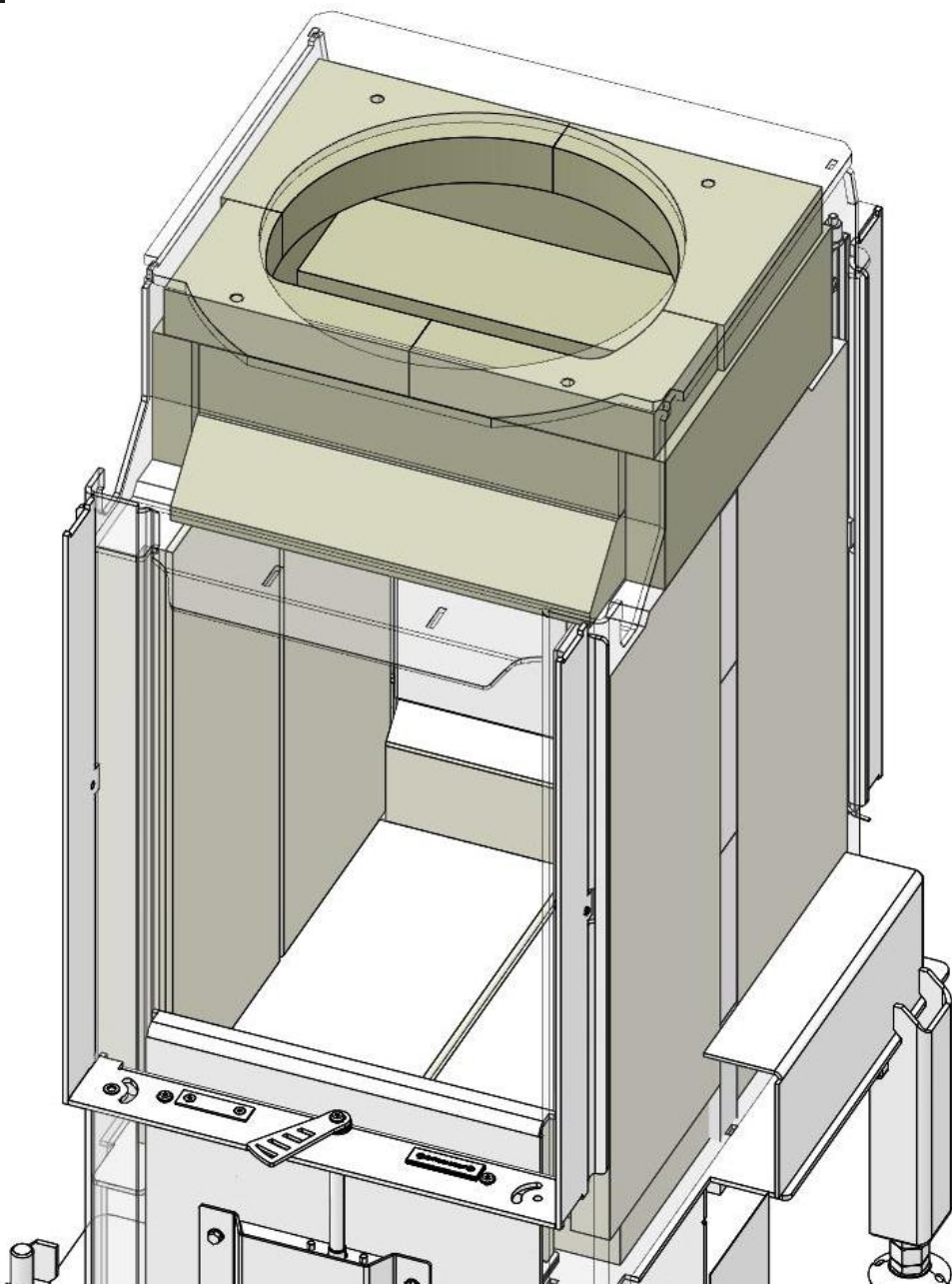
28



29



30



31

